

Instructions

English

Operating instructions

⚠ WARNING: When placing heavy pipes on the Exact PipeBench, pay extra attention that they do not fall off the pipe bench and cause injury to the operator or damage to the floor surface.

⚠ WARNING: Always observe the safety instructions and applicable regulations.

Preparation (figure 3)

1. Place the Pipe Bench stand on the ground with the folded legs facing up.
2. Depress the leg lock lever (3-A) and pull leg up until the locking pin clicks into place. Repeat on each leg.
3. Lift the stand by the center beam and place it in an upright position. The stand should be stable and should not rock.

NOTE: Ensure all locking pins are engaged and the legs are locked in place.

To adjust the extension arms

1. Lift up the extension arm locking lever to release the extension arm. (Figure 2-C)
2. Adjust the extension arm to desired length.
3. Push down the extension arm locking lever to lock the extension arm.

Pipe Support

Pipe Supports enable smooth pipe roll during cutting. They also support the pipe's other end when using a chain vice. The cutting process should take place between the center beam Pipe Support and Chain Vice.

To move or release the center beam Pipe Support from the bench, lift the latch on Pipe Support (4-A).

Chain Vice

The Chain Vice holds the pipe firmly in place for example when making a thread. Place the pipe on Chain Vice and Pipe Support. Lift the chain over the pipe helping the chain to go under the hook (5-A). Tighten the chain around the pipe by turning the knob (5-B).

To move or release the Chain Vice from the bench, lift the latch on Chain Vice. (5-C)

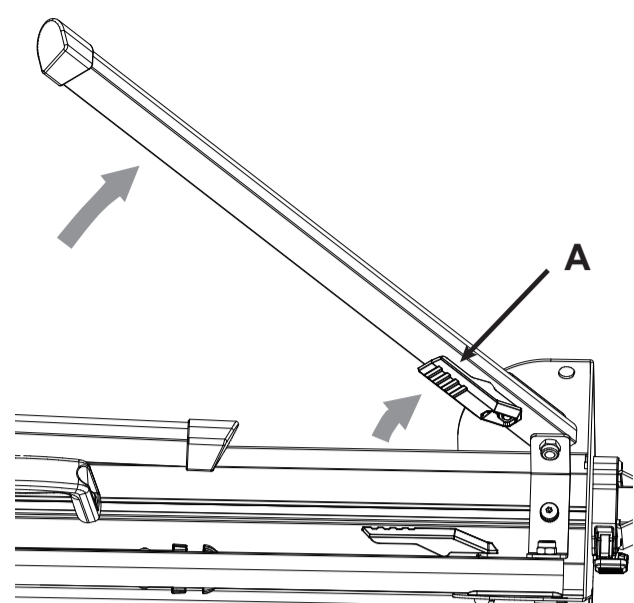


Figure 3

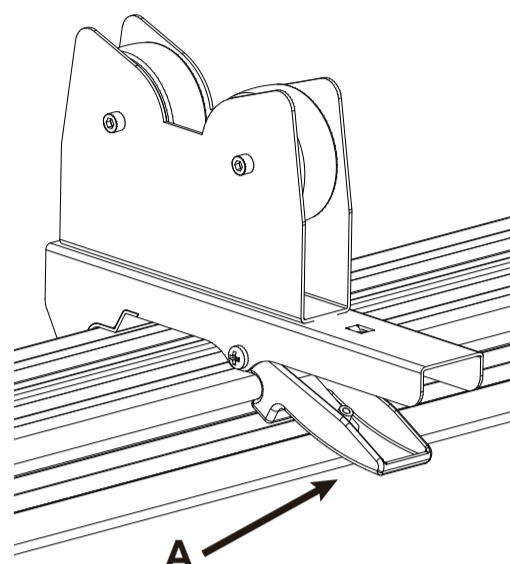


Figure 4

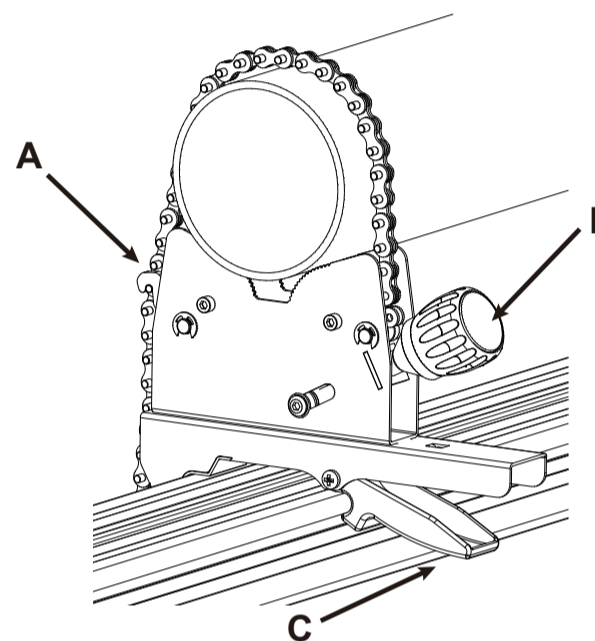


Figure 5

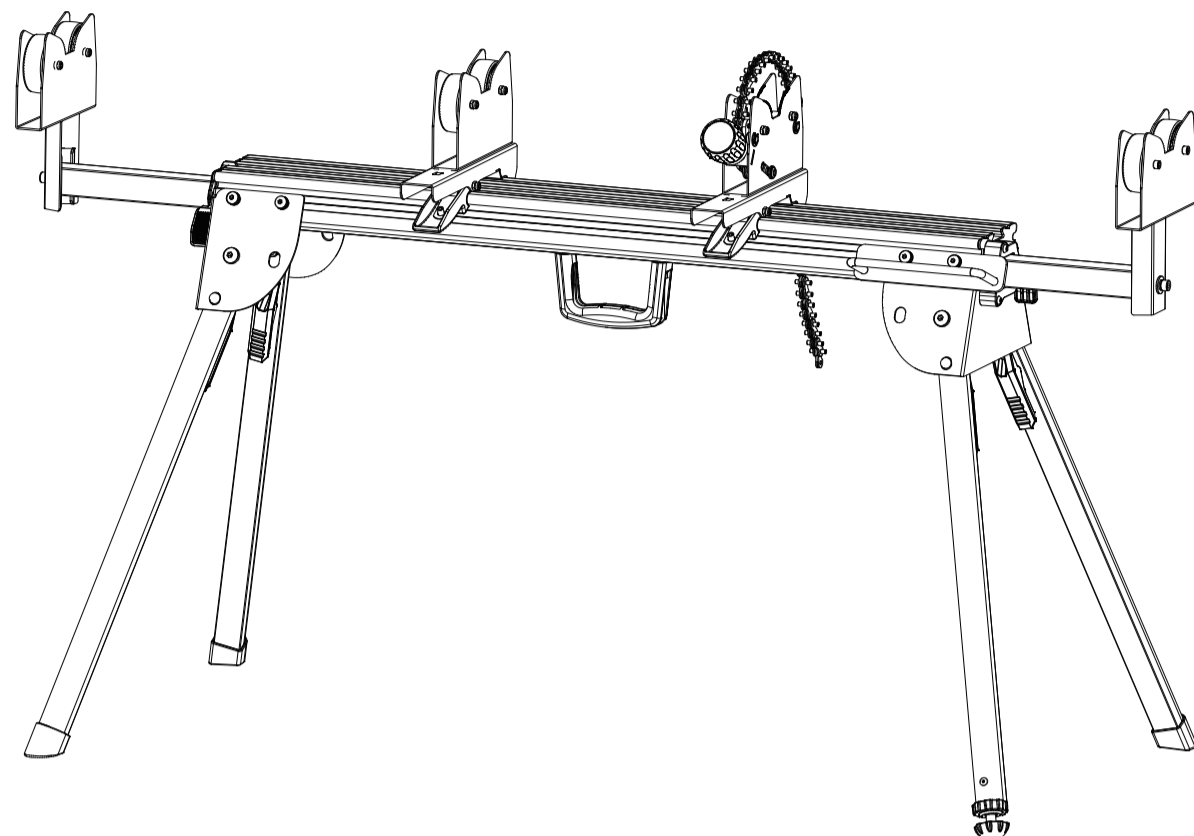
4

exact

exact

EN Operating Instructions

PipeBench



Exact Tools Oy

Särkiniementie 5 B 64

FI-00210 Helsinki

Finland

Tel +358 9 4366750

exact@exacttools.com

www.exacttools.com

exact

Pipe Cutting System

Instructions

English

Technical data

Exact Pipe Bench

Weight	17,1 kg	37,7 lbs
Length	1450 - 2520 mm	57,1" - 99,2"
Height	700 mm	27,6"
Maximum working load	120 kg	265 lbs

Package Contents

The package contains:

- 1 Pipe Bench
- 2 Pipe supports with attachment parts for extension arms
- 1 Pipe support for center beam
- 1 Chain Vice
- 1 Instruction manual

- Check for damage to the tool, parts or accessories which may have occurred during transport.
- Take the time to read and understand this manual prior to operation.

Initial assembly of Pipe Bench

Pipe Bench is delivered with the two extension arm Pipe Supports packed separately. Before operating the Pipe Bench, attach the two Pipe Supports (1-A) to extension arms with washer (1-B), spring washer (1-C) and bolt (1-D).

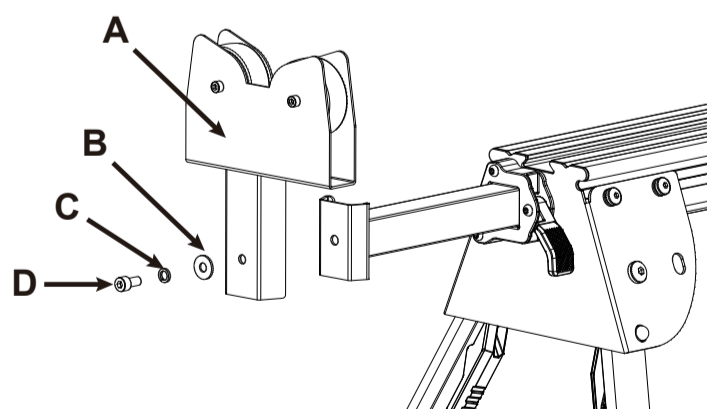


Figure 1

Intended use

The Exact PipeBench is intended for professional use at all different type of construction sites. The saw holder is designed for Exact PipeCut models 170, 170E and 220E. The Exact PipeBench should be used only on an even floor.

DO NOT use under wet conditions or in presence of flammable liquids or gases.

These Pipe Bench stands are professional tools. **DO NOT** let children come into contact with the tool. Supervision is required when inexperienced operators use this tool.

Cleaning

WARNING: Never use solvents or other harsh chemicals for cleaning the non-metallic parts of the tool. These chemicals may weaken the materials used in these parts. Use a cloth dampened only with water and mild soap. Never let any liquid get inside the tool; never immerse any part of the tool into a liquid.

Protecting the Environment

Separate collection. This product must not be disposed of with normal household waste.

Should you find one day that your Exact product needs replacement, or if it is of no further use to you, do not dispose of it with household waste.

Make this product available for separate collection. Separate collection of used products and packaging allows materials to be recycled and used again. Re-use of recycled materials helps prevent environmental pollution and reduces the demand for raw materials. Local regulations may provide for separate collection of electrical products from the household, at municipal waste sites or by the retailer when you purchase a new product.

2

exact

Instructions

English

Definitions: Safety Guidelines

The definitions below describe the level of severity for each signal word. Please read the manual and pay attention to these symbols.

⚠ DANGER: Indicates an imminently hazardous situation which, if not avoided, will result in death or serious injury.

⚠ WARNING: Indicates a potentially hazardous situation which, if not avoided, could result in death or serious injury.

⚠ CAUTION: Indicates a potentially hazardous situation which, if not avoided, may result in minor or moderate injury.

⚠ NOTICE: Indicates a practice not related to personal injury which, if not avoided, may result in property damage. Denotes risk of electric shock. Denotes risk of fire.

⚠ WARNING: To reduce the risk of injury, read the instruction manual.

⚠ WARNING: For your own safety, read the Pipe Bench instruction manual before using Pipe Bench or any accessory. Failure to heed these warnings may result in personal injury and serious damage to the Pipe Bench, PipeCut saw and the accessory. When servicing this tool, use only identical replacement parts.

SAVE ALL WARNINGS AND INSTRUCTIONS FOR FUTURE REFERENCE

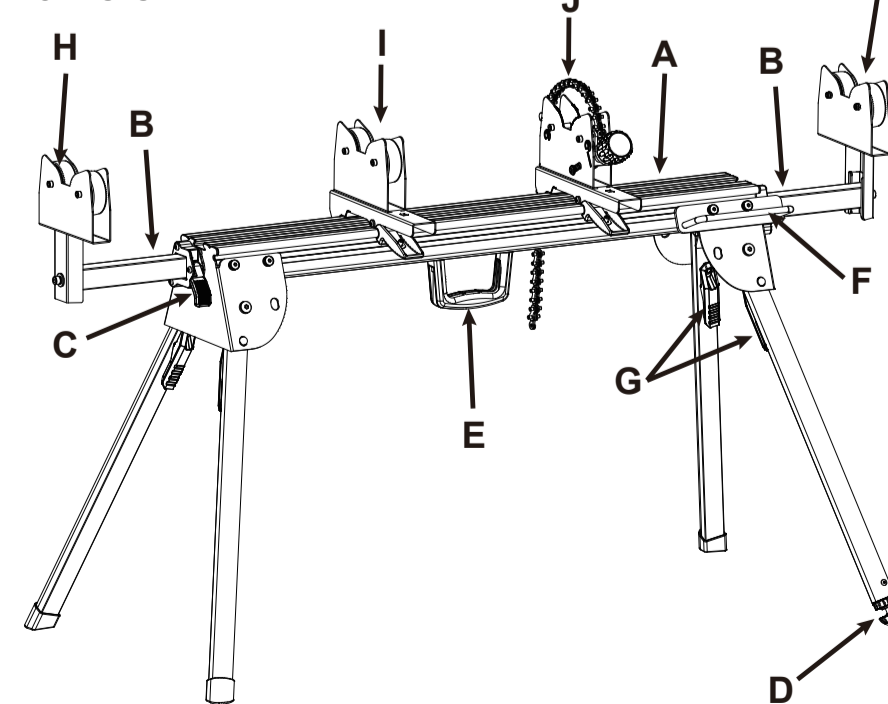


Figure 2

General Safety Instructions for saw stands

⚠ WARNING: To reduce the risk of personal injury:

- **ALWAYS** use eye protection. All users and bystanders must wear eye protection.
- **DO NOT** exceed the weight this stand can hold. The main center beam of this saw stand is designed to support 120kg safely in a work environment. It is unsafe to climb, sit or stand on the stand.
- Follow the mounting instructions carefully. Fasten the accessory mounting brackets securely as instructed.
- **DO NOT** modify or use stand for operations for which it is unintended.
- **DO NOT** use the stand on uneven surfaces. The stand is designed to be used on a flat, stable surface.
- **ALWAYS** keep your fingers clear of the stop points while pushing the saw stand together or pulling it apart. Danger of fingers being crushed or contused.

Residual Risks

In spite of the application of the relevant safety regulations and the implementation of safety devices, certain residual risks cannot be avoided. These are:

- Risk of personal injury by sharp edges and squeezing.

⚠ WARNING: Never modify the Pipe Bench or any part of it. Damage or personal injury could result.

- A - Center beam
- B - Extension arms
- C - Extension arm locking levers
- D - Levelling adjustment
- E - Carry handle
- F - Pipe saw bracket
- G - Leg locking levers
- H - Pipe Supports for extension arms
- I - Pipe support for center beam
- J - Chain vice

3

exact