

700

RIDGID[®]

EN	P.	1
FR	P.	13
ES	P.	27
DE	P.	43
NL	P.	59
IT	P.	75
PT	P.	91
SV	P.	107
DA	P.	121
NO	P.	135
FI	P.	149
PL	P.	163
CZ	P.	179
SK	P.	195
RO	P.	209
HU	P.	225
EL	P.	241
HR	P.	257
SL	P.	271
SR	P.	285
RU	P.	299
TR	P.	315
KK	P.	329



RIDGE TOOL COMPANY

Table of Contents

Recording Form For Machine Serial Number.....1

Safety Symbols2

General Power Tool Safety Warnings

 Work Area Safety2

 Electrical Safety2

 Personal Safety3

 Power Tool Use And Care3

 Service3

Specific Safety Information

 Power Drive Safety Warnings3

Description, Specifications And Standard Equipment

 Description4

 Specifications4

 Standard Equipment5

Pre-Operation Inspection5

Set-Up and Operation6

 Installing Die Heads6

 Resisting Threading Forces7

 Threading8

 Inspecting Threads.....9

700 Power Drive – Other Uses9

Maintenance Instructions

 Cleaning10

 Lubrication10

 Changing Dies in 12-R Die Heads10

 Replacing Brushes in Motor10

Optional Equipment11

Machine Storage11

Service And Repair11

Thread Cutting Oil Information11

Disposal11

Troubleshooting12

EC Declaration of Conformity.....Inside Back Cover

Lifetime WarrantyBack Cover

*Original Instructions - English

Power Drive

700



⚠ WARNING!

Read this Operator's Manual carefully before using this tool. Failure to understand and follow the contents of this manual may result in electrical shock, fire and/or serious personal injury.

700 Power Drive


Record Serial Number below and retain product serial number which is located on name plate.


Serial
No.


--	--


Safety Symbols


In this operator's manual and on the product, safety symbols and signal words are used to communicate important safety information. This section is provided to improve understanding of these signal words and symbols.


 This is the safety alert symbol. It is used to alert you to potential personal injury hazards. Obey all safety messages that follow this symbol to avoid possible injury or death.


 **DANGER** DANGER indicates a hazardous situation which, if not avoided, will result in death or serious injury.


 **WARNING** WARNING indicates a hazardous situation which, if not avoided, could result in death or serious injury.


 **CAUTION** CAUTION indicates a hazardous situation which, if not avoided, could result in minor or moderate injury.


 **NOTICE** NOTICE indicates information that relates to the protection of property.


 This symbol means read the operator's manual carefully before using the equipment. The operator's manual contains important information on the safe and proper operation of the equipment.


 This symbol means always wear safety glasses with side shields or goggles when handling or using this equipment to reduce the risk of eye injury.

 This symbol indicates the risk of fingers, hands, clothes and other objects catching on or between gears or other rotating parts and causing crushing injuries.

 This symbol indicates the risk of electrical shock.

 This symbol indicates the risk of machine tipping, causing striking or crushing injuries.

 This symbol means do not wear gloves while operating this machine to reduce the risk of entanglement.

 This symbol means always use support device to help resist threading force, improve control and reduce the risk of injury.

General Power Tool Safety Warnings*

 **WARNING**
Read and understand all instructions. Failure to follow all instructions listed below may result in electric shock, fire, and/or serious injury.

SAVE ALL WARNINGS AND INSTRUCTIONS FOR FUTURE REFERENCE!

The term "power tool" in the warnings refers to your mains-operated (corded) power tool or battery-operated (cordless) power tool.

Work Area Safety

- **Keep work area clean and well lit.** Cluttered or dark areas invite accidents.
- **Do not operate power tools in explosive atmospheres, such as in the presence of flammable liquids, gases, or dust.** Power tools create sparks which may ignite the dust or fumes.
- **Keep children and by-standers away while operating a power tool.** Distractions can cause you to lose control.

Electrical Safety

- **Power tool plugs must match the outlet. Never modify the plug in any way. Do not use any adapter plugs with earthed (grounded) power tools. Grounded tools must be plugged into an outlet properly installed and grounded in accordance with all codes and ordinances. Never remove the grounding prong or modify the plug in any way. Check with a qualified electrician if you are in doubt as to whether the outlet is properly grounded.** Unmodified plugs and matching outlets will reduce risk of electric shock.
- **Avoid body contact with earthed or grounded surfaces such as pipes, radiators, ranges and refrigerators.** There is an increased risk of electrical shock if your body is earthed or grounded.
- **Do not expose power tools to rain or wet conditions.** Water entering a power tool will increase the risk of electrical shock.
- **Do not abuse the cord. Never use the cord to carry the tool or pull the plug from an outlet. Keep cord away from heat, oil, sharp edges or moving parts. Replace damaged cords immediately.** Damaged cords increase the risk of electric shock.

* The text used in the General Power Tool Safety Warnings section of this manual is verbatim, as required, from the applicable UL/CSA 62841-1 edition standard. This section contains general safety practices for many different types of power tools. Not every precaution applies to every tool, and some do not apply to this tool.

- **When operating a power tool outside, use an outdoor extension cord marked “W-A” or “W”.** These cords are rated for outdoor use and reduce the risk of electric shock.
- **If operating a power tool in a damp location is unavoidable, use a ground fault circuit interrupter (GFCI) protected supply.** Use of a GFCI reduces the risk of electric shock.

Personal Safety

- **Stay alert, watch what you are doing and use common sense when operating a power tool. Do not use a power tool while you are tired or under the influence of drugs, alcohol, or medication.** A moment of inattention while operating power tools may result in serious personal injury.
- **Use personal protective equipment. Always wear eye protection.** Protective equipment such as dust mask, non-skid safety shoes, hard hat, or hearing protection used for appropriate conditions will reduce personal injuries.
- **Prevent unintentional starting. Ensure the switch is in the OFF position before connecting to power source and/or battery pack, picking up or carrying the tool.** Carrying power tools with your finger on the switch or energizing power tools that have the switch ON invites accidents.
- **Remove any adjusting key or wrench before turning the power tool ON.** A wrench or a key left attached to a rotating part of the power tool may result in personal injury.
- **Do not overreach. Keep proper footing and balance at all times.** This enables better control of the power tool in unexpected situations.
- **Dress properly. Do not wear loose clothing or jewelry. Keep your hair, and clothing away from moving parts.** Loose clothes, jewelry, or long hair can be caught in moving parts.
- **If devices are provided for the connection of dust extraction and collection facilities, ensure these are connected and properly used.** Use of dust collection can reduce dust-related hazards.

Power Tool Use and Care

- **Do not force power tool. Use the correct power tool for your application.** The correct power tool will do the job better and safer at the rate for which it is designed.
- **Do not use power tool if the switch does not turn it ON and OFF.** Any power tool that cannot be controlled with the switch is dangerous and must be repaired.

- **Disconnect the plug from the power source and/or the battery pack from the power tool before making any adjustments, changing accessories, or storing power tools.** Such preventive safety measures reduce the risk of starting the power tool accidentally.
- **Store idle power tools out of the reach of children and do not allow persons unfamiliar with the power tool or these instructions to operate the tool.** Power tools are dangerous in the hands of untrained users.
- **Maintain power tools. Check for misalignment or binding of moving parts, breakage of parts and any other condition that may affect the power tool’s operation. If damaged, have the power tool repaired before use.** Many accidents are caused by poorly maintained power tools.
- **Keep cutting tools sharp and clean.** Properly maintained cutting tools with sharp cutting edges are less likely to bind and are easier to control.
- **Use the power tool, accessories and tool bits etc. in accordance with these instructions, taking into account the working conditions and the work to be performed.** The use of the power tool for operations different from those intended could result in a hazardous situation.

Service

- **Have your power tool serviced by a qualified repair person using only identical replacement parts.** This will ensure that the safety of the power tool is maintained.

Specific Safety Information

WARNING

This section contains important safety information that is specific to this tool.

Read these precautions carefully before using the 700 Power Drive to reduce the risk of electrical shock, striking, crushing or other serious injury.

SAVE ALL WARNINGS AND INSTRUCTIONS FOR FUTURE REFERENCE!

Keep this manual with machine for use by the operator.

Power Drive Safety

- **Follow instructions on proper use of this machine. Read and understand the instructions and warnings for all equipment and material being used before operating the power drive.** Failure to follow all warnings and instructions may result in property damage and/or serious injury.

- **When threading 1" (25mm) or larger pipe, use support device to resist threading forces. Use an appropriate support device per these instructions.** Support devices improve control and reduce the risk of striking, crushing, and/or other injuries.
- **When using a support device other than the support arm, the support device must react against the motor housing.** Support devices contacting other parts may damage the machine parts or increase the risk of injury.
- **Always firmly hold the power drive when threading or backing die head off the pipe to resist threading forces, regardless of support device use.** This will reduce the risk of striking, crushing and other injuries.
- **Do not use this power drive if switch button is broken.** This switch is a safety device that lets you shut off the motor by releasing the switch.
- **Do not wear gloves or loose clothing when operating machines. Keep sleeves and jackets buttoned. Do not reach across the machine or pipe.** Clothing can be caught by the pipe or machine resulting in entanglement.
- **One person must control the work process and machine operation.** Only the operator should be in the work area when the machine is running. This helps reduce the risk of injury.
- **Do not use dull or damaged dies.** Sharp cutting tools require less torque and the power drive is easier to control.
- **Keep handles dry and clean, free from oil and grease.** Allows for better control of tool..
- **Keep floors dry and free of slippery materials such as oil.** Slippery floors invite accidents.
- **Only use RIDGID die heads with RIDGID 700 Power Drive, other die heads may not fit correctly in the power drive increasing the risk of equipment damage and personal injury.**
- **When using for applications other than described in this manual, use a support device to resist handle forces.** Support devices improve control and reduce the risk of striking, crushing, and/or other injuries.

If you have any question concerning this RIDGID® product:

- Contact your local RIDGID® distributor.
- Visit RIDGID.com to find your local RIDGID contact point.
- Contact Ridge Tool Technical Service Department at rttechservices@emerson.com, or in the U.S. and Canada call (800) 519-3456.

Description, Specifications And Standard Equipment

Description

The RIDGID® Model 700 Power Drive is designed to provide power for threading pipe and conduit. Forward and Reverse rotation can be selected with a reversible switch.

The power drive is designed to use RIDGID 12-R Die Heads (1/8" – 2" pipe). Other RIDGID die heads such as the OO-R and 11-R can be used with adapters.

When threading 1" or larger pipe, a support device, such as the No. 775 Support Arm or a RIDGID 14" heavy duty pipe wrench is required to resist the threading forces.

The power drive can also be used to power the RIDGID 258 Pipe Cutter and for other applications, (See "Other Uses").

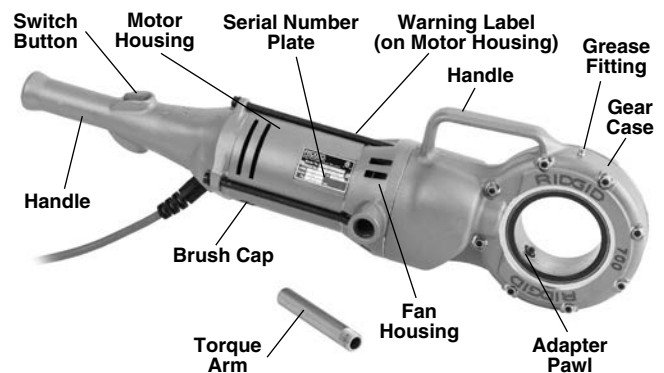


Figure 1 – Model 700 Power Drive

Specifications

Threading Capacity	Pipe 1/8" to 2" (3 to 50 mm)
	Bolt 1/4" to 1" (6 to 25 mm) with 00-RB Die Head
Motor*:	
Type	Universal, Reversible
Volts	110 120 220-240
Amps	13.5 13.5 6.5
Frequency	50/60 Hz 50/60 Hz 50/60 Hz
Power	1500 1500 1500
Operating Speed.....	26-30 RPM, No load
Controls.....	Double-Throw Reversible Switch with spring return to OFF position
Gear Head	Die Cast Aluminum, Spur Gear Reduction Face Gear Drive, Spring-Loaded Adapter Pawls, Hardened Steel Spindle Gear
Dimension:	
Length.....	28 1/4" (717 mm)
Width.....	6 1/16" (154 mm)

Height.....7¹³/₁₆" (198 mm)
 Weight25 lbs. (11 kg)
 Sound Pressure (L_{PA})**98.4 dB(A), K=3
 Sound Power (L_{WA})**107 dB(A), K=3
 Vibration**2.5 m/s², K=1.5

* Refer to your machine serial number plate for motor information for your specific machine – Other versions are available.

** Sound and vibration measurements are measured in accordance with a standardized test per Standard EN 62481-1.
 - Vibration levels may be used for comparison with other tools and for preliminary assessment of exposure.
 - Sound and vibration emissions may vary due to your location and specific use of these tools.
 - Daily exposure levels for sound and vibration need to be evaluated for each application and appropriate safety measures taken when needed. Evaluation of exposure levels should consider the time a tool is switched off and not in use. This may significantly reduce the exposure level over the total working period.

Standard Equipment

The Model 700 Power Drive comes with the following items:

- 700 Power Drive
- Torque arm
- Support Device
- Operator's Manual

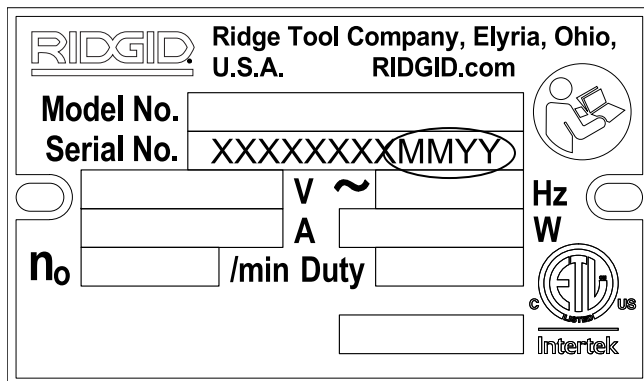


Figure 2 – Machine Serial Number

The 700 Power Drive machine serial number plate is located on the bottom of motor housing. The last 4 digits indicate the month and year of the manufacture. (MM = month, YY = year).

NOTICE Selection of appropriate materials and installation, joining and forming methods is the responsibility of the system designer and/or installer. Selection of improper materials and methods could cause system failure.

Stainless steel and other corrosion resistant materials can be contaminated during installation, joining and forming. This contamination could cause corrosion and premature failure. Careful evaluation of materials and methods for the specific service conditions, including chemical and temperature, should be completed before any installation is attempted.

Pre-Operation Inspection

⚠ WARNING



Before each use, inspect your 700 Power Drive and correct any problems to reduce the risk of serious injury from electric shock, crushing injuries and other causes and prevent power drive damage.

1. Make sure that the power drive is unplugged.
 2. Clean any oil, grease or dirt from the power drive and support device, including the handles and controls. This aids inspection and helps prevent the machine or control from slipping from your grip.
 3. Inspect the power drive for the following:
 - Damage or modification to the cord and plug.
 - Proper assembly, maintenance and completeness.
 - Damaged, misaligned or binding parts.
 - Proper operation of switch. Confirm that it cycles smoothly and does not stick.
 - Presence and readability of warning labels (*Figure 3*).
 - Any other condition which may prevent safe and normal operation.
- If any problems are found, do not use the power drive or support device until the problems have been repaired.
4. Inspect support arm. Make sure gripping teeth are clean and in good condition. Teeth can be cleaned with a wire brush.
 5. Inspect the cutting edges of the dies for wear, deformation, chips or other issues. Dull or damaged cutting tools increase the amount of force required, produce poor quality threads and increase the risk of injury.
 6. Inspect and maintain any other equipment being used per its instructions to make it is sure functioning properly.
 7. Following the *Set-Up and Operation* instructions, check the power drive for proper operation.
 - Depress and release the switch for FORWARD rotation and repeat for REVERSE rotation as shown in *Figure 3*. Confirm that the power drive rotates as shown in *Figure 3* and that the switch controls the machine operation.
- Allow the power drive to come to a complete stop before reversing the direction with the switch button. This will reduce the risk of power drive damage.

- Depress and hold the switch button. Inspect the moving parts for misalignment, binding, odd noises or any other unusual conditions. Release the switch.

If the machine does not operate correctly or any unusual conditions are found, do not use the machine until it has been repaired.

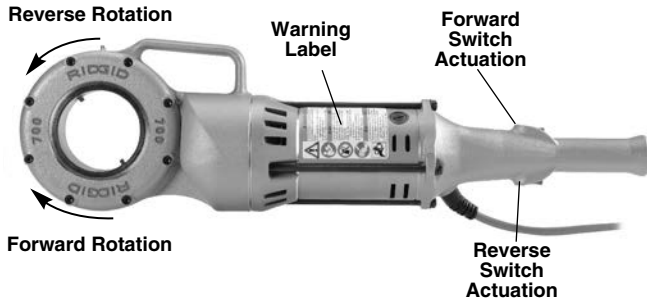


Figure 3 – Switch Position for Rotational Direction

8. Release the switch button and with dry hands unplug the machine.

Set-Up and Operation



Set up and operate the 700 Power Drive according to these procedures to reduce the risk of injury from electric shock, entanglement, striking, crushing and other causes, and to help prevent power drive damage.

When threading 1" (25mm) or larger pipe, use support device to resist threading forces. Use an appropriate support device per these instructions. Support devices improve control and reduce the risk of striking, crushing, and/or other injuries.

Always firmly hold the power drive when threading or backing die head off the pipe to resist threading forces, regardless of support device use. This will reduce the risk of striking, crushing and other injuries.

Properly support pipe. This will reduce the risk of falling pipe, tipping and serious injury.

Do not use a power drive without a properly operating switch button.

Do not wear gloves or loose clothing when operating machines. Keep sleeves and jackets buttoned. Do not reach across the machine or pipe. Clothing can be caught by the pipe or machine resulting in entanglement.

One person must control both the work process and the switch button. Do not operate with more

than one person. In case of entanglement, the operator must be in control of the switch.

1. Check work area for:
 - Adequate lighting.
 - Flammable liquids, vapors or dust that may ignite. If present, do not work in area until sources have been identified and corrected. The power drives are not explosion proof and can cause sparks.
 - Clear, level, stable, dry location for all equipment and operator.
 - Good ventilation. Do not use extensively in small, enclosed areas.
 - Properly wired electrical outlet of the correct voltage. If in doubt, have outlet inspected by a licensed electrician.
 - Clear path to electrical outlet that does not contain any potential sources of damage for the power cord.

2. Inspect the pipe to be threaded and associated fittings and confirm that the 700 Power Drive is a correct tool for the job. See *Specifications*.

Equipment for other applications can be found in the Ridge Tool catalog, online at RIDGID.com or by calling Ridge Tool Technical Service in the U.S. and Canada at (800) 519-3456

3. Make sure equipment to be used has been properly inspected.
4. Properly prepare the pipe as needed. Make sure the pipe is squarely cut and deburred. Pipe cut at an angle can damage the dies while threading or cause difficulty engaging the die head.
5. Make sure that pipe to be threaded is stable and secured to prevent tipping during use. Use appropriate pipe stands to support pipe length.
6. Check the level of RIDGID Thread Cutting Oil in the RIDGID 418 oiler. Remove the chip tray and confirm that the filter screen is clean and fully submerged in oil. Replace or add oil if necessary. Place the 418 Oiler bucket under the pipe end to be threaded.

Installing Die Heads

1. Make sure the power drive is unplugged from the outlet.
2. Push 12-R Die Head or Adapter (see *Optional Equipment*), spline end first, squarely into the Power Drive until the spring-loaded drive pawls securely engage the spline. (Figure 4). The die head or adapter can be inserted into either side of the power drive. In some

cases, die heads/adapters may need to be rotated to allow the pawl to engage. 770 and 773 adapters must have the die head installed in the adapter prior to insertion in the Power Drive.

3. To remove, squarely pull die head from power drive. If needed, use a soft face hammer or a block of wood to tap the die head out. Do not pound on the die head, this can damage the tool.



Figure 4 – Installing Die Heads into 700 Power Drive

Resisting Threading Forces (Support Devices)

For right hand threads, die head will rotate clockwise (looking at the face of the Die Head). Forces developed by the threading torque will be in the opposite or counter-clockwise direction. Rotation and force will be reversed for left hand threads. Make sure that the support device is set up to absorb and resist the threading force.

Using the No. 775 Support Arm:

1. Support arm yoke hook can be assembled to either side. Securely tighten hinge bolt.
2. Position the support arm on pipe so end of support arm aligns with end of pipe and 700 Power Drive will be slightly above horizontal (*Figure 5 and 6*). This properly places the support arm for threading and prevents threading oil from running down power drive.
3. Make sure that the support arm jaws are squarely aligned with the pipe and securely tighten the support arm.

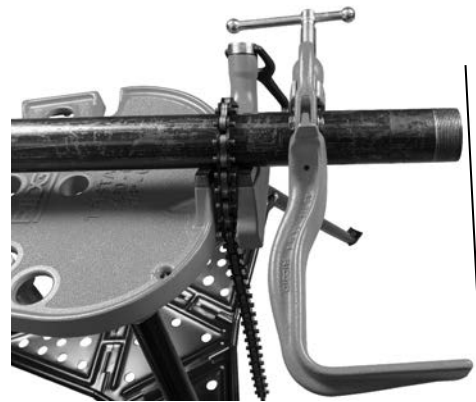


Figure 5 – Support Arm Aligned with End of Pipe



Figure 6 – Support Arm Positioned With 700 Power Drive Slightly Above Horizontal

Using a RIDGID 12", 14" or 18" Heavy Duty Pipe Wrench:

1. Securely install the torque arm into the fan housing of the 700 Power Drive. A 5" (127 mm) long piece of ½" schedule 80 steel pipe with a ½" NPT thread can also be used.
2. Place the RIDGID 12", 14" or 18" Heavy Duty Pipe Wrench approximately 7" (175 mm) from the end of the pipe (*see Figure 7*). Test to confirm the wrench is secure, and will not fall or move.
3. When starting the thread, the torque arm will sit on the pipe wrench handle.

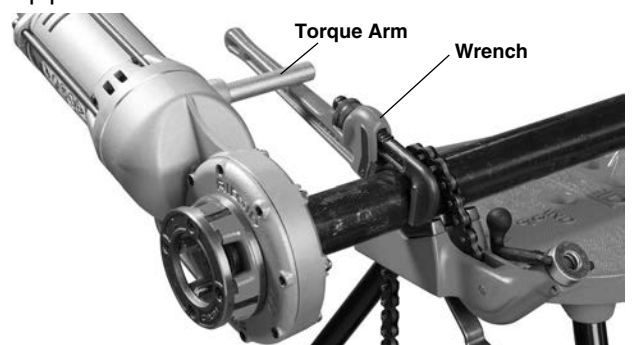


Figure 7 – Threading Using Pipe Wrench as a Support Arm

Other Support Methods:

Place the power drive motor housing (see *Figure 1*) against an adjacent structural member (examples include walls, beams and joists). This requires that the pipe being threaded and surroundings are able to withstand the weight of the tool and the threading forces. It may be necessary to add temporary or permanent pipe supports or structural elements to properly resist threading forces.

For pipe 3/4" diameter and smaller:

Pipe 3/4" and smaller nominal dimension can be threaded without the use of support device. In this case, the operator resists the threading forces. The pipe must be properly secured to prevent rotation. Always firmly hold the power drive when threading or backing die head off pipe to resist forces. This will reduce the risk of striking, crushing and other injuries.

Threading

1. With dry hands, plug in the power drive.
2. Position the die head over the pipe end and support the power drive as directed in the Resisting Threading Forces Section. Always keep the power drive against the support device. Do not put anything between the power drive and the support device – this increases the risk of pinching and crushing injuries.
3. Assume a proper operating position to help maintain control of the machine (See *Figure 9*),
 - Be sure you have good balance and do not have to overreach.
 - Be sure you can control the switch button and machine. Do not depress switch yet. In case of emergency you must be able to release switch.

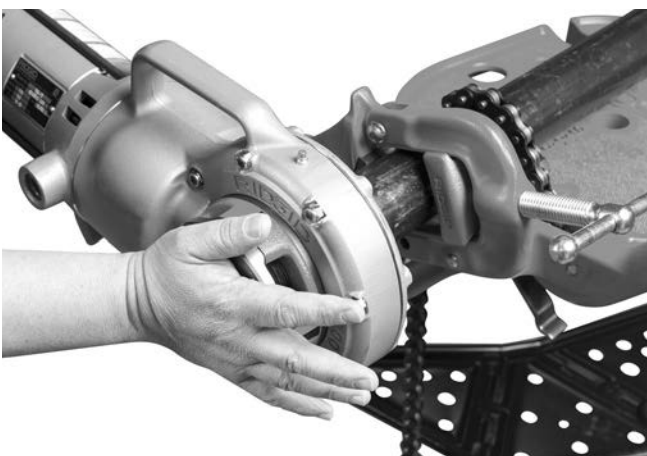


Figure 8 – Starting the Thread

4. Simultaneously actuate the switch button (see *Figure 3*) and push against the die head cover plate with the

palm of free hand to start the thread (*Figure 8*). Do not wear gloves, jewelry or use a rag while pushing on the cover plate – this increases the risk of entanglement and injury. Once the dies engage the pipe, threads will be cut as the dies pull themselves onto the end of the pipe.

Always firmly hold the power drive handle to resist the handle forces. Support devices can slip and allow the power drive to move. The switch button can be released at any time to shut OFF the power drive.



Figure 9 – Threading Pipe

5. Stop pushing on cover plate and use oiler to apply a generous quantity of RIDGID Thread Cutting Oil to the area being threaded. This will lower threading torque, improve thread quality and increase die life.
6. Keep switch depressed until end of the pipe is even with edge of the dies (*Figure 10*). Watch to make sure Power Drive does not run into the support device. Release the switch button. Let the power drive come to a complete stop.

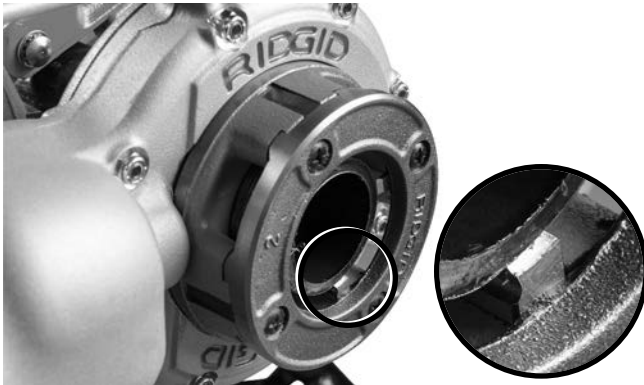


Figure 10 – Pipe Even with Edge of Dies

7. Actuate the switch button in reverse direction to remove die head from the threaded pipe. Hold onto the power drive handle firmly to resist the handle forces developed while breaking the thread chip and backing off the die head.
8. Release the switch and remove the power drive and die head from the pipe.
9. With dry hands, unplug the power drive.
10. Wipe oil and debris off the threads and out of the die head, taking care not to cut yourself on sharp debris or edges. Clean up any oil spills in the work area.

Inspecting Threads

1. Remove any oil, chips or debris from the thread.
2. Visually inspect thread. Threads should be smooth and complete, with good form. If issues such as thread tearing, thin threads, or pipe out-of-roundness are observed, the thread may not seal when made up. Refer to the “*Troubleshooting*” chart for help in diagnosing these issues.
3. Inspect the size of the thread. The preferred method of checking thread size is with a ring gauge. There are various styles of ring gauges, and their usage may differ from that shown in *Figure 11*.
 - Screw ring gauge onto the thread hand tight.
 - Look at how far the pipe end extends through the ring gage. The end of the pipe should be flush with the side of the gauge plus or minus one turn. If thread does not gauge properly, cut off the thread, adjust the die head and cut another thread. Using a thread that does not gauge properly can cause leaks.

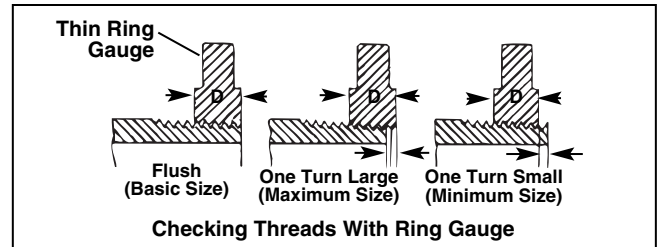


Figure 11 – Checking Thread Size

- If a ring gauge is not available to inspect thread size, it is possible to use a new clean fitting representative of those used on the job to gauge thread size. For 2" and under NPT threads, the threads should be cut to obtain 4 to 5 turns to hand tight engagement with the fitting and for 2" and under BSPT threads it should be 3 turns.

700 Power Drive – Other Uses

This manual contains specific instructions for the use of the 700 Power Drive to thread with various RIDGID die heads. When used with other RIDGID equipment (such as the RIDGID 258/258XL Power Pipe Cutter) follow the instructions and warnings supplied with that RIDGID equipment on proper set up and use.

Ridge Tool cannot provide specific instructions for every possible use for the 700 Power Drive. The user must evaluate the specific work scenario and use good work practices and methods. If there is any doubt about the use of the 700 Power Drive for these other purposes, do not use it.

If using the 700 Power Drive for other purposes, carefully evaluate and prepare for the work using the general guidelines below. The 700 Power Drive will supply high torque and correspondingly high handle forces which can cause striking and crushing injuries.

- The RIDGID 774 Square Drive Adapter can be used to adapt the 700 Power Drive to turn a male 15/16" square. Securely attach the adapter to prevent it from detaching in use.
- An appropriate method to withstand all handle forces must be developed (See “*Resisting Handle Forces*” section). Forces could exceed 1000 lbs (455 kg). Support devices can be placed against the motor housing or fan housing of the 700 Power Drive (*Figure 1*).
- Always keep the power drive against the support device – do not place body parts between the power drive and the support device.
- There should be no relative movement between the power drive and the support device during use.

- Confirm that the application (such as operating or exercising a valve) is free to turn, not jammed and that the ends of travel are known. If the system jams or goes solid during use, handle forces will increase abruptly and significantly or the power drive may rotate.
- If using to exercise or operate valves or other equipment, follow all equipment manufacturer instructions. Do not overload the equipment.
- Use such that the 700 Power Drive reaction force pulls away from the user.
- Release the switch button at any time to shut off the power drive. Make sure that you are able to release the switch button.

Maintenance Instructions

⚠ WARNING

Make sure that the switch button is released and the machine is unplugged before performing any maintenance or making any adjustments.

Maintain tool according to these procedures to reduce the risk of injury from electrical shock, entanglement and other causes.

Cleaning

1. After each use, empty the threading chips from the 418 Oiler chip tray and wipe out any oil residue.
2. Wipe off any oil, grease, chips or dirt from the power drive, including the handles and controls.
3. Wipe off any oil, grease or dirt from the support arm. If required, clean the support arm jaws with a wire brush.
4. Remove chips and dirt from die heads.

Lubrication

Use grease gun to add a Lithium EP (Extreme Pressure) grease through the grease fittings provided on the gear housing (see *Figure 1*) every 3 to 6 months, depending on usage of machine.

Changing Dies in 12-R Die Heads

A variety of dies are available for installation in RIDGID 12-R Die Heads. See *catalog for availability*.

1. Remove the four screws (4), cover plate (2) and dies (3) from die head.
2. Insert new dies into slots, numbered edge (1,2,3,4) up. Numbers on the dies must correspond with those on the die head slots. Always replace dies as a set.

3. Install the cover plate (2) and screws (4) and lightly tighten the screws.
4. Screw a threaded pipe end into the dies until they begin to thread. This forces stop on dies "B" outward against lug "A" on cover plate and properly sets the size.
5. Tighten the four screws securely. Remove the threaded pipe and make a test cut.

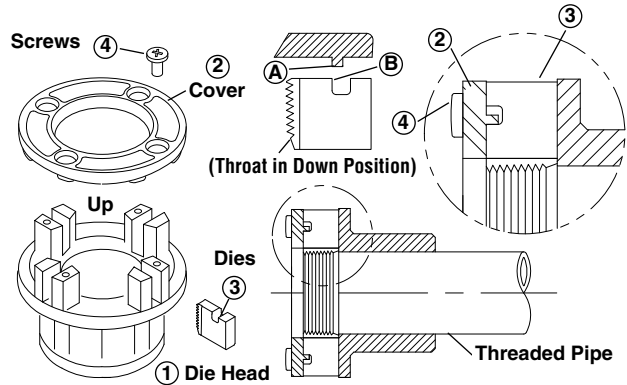


Figure 12 – Installing Dies in Die Head

Replacing Brushes in Motor

Check motor brushes every 6 months. Replace when worn to less than ¼" (6 mm).



Figure 13 – Brush Installation

1. Unplug the machine from power source.
2. Unscrew brush caps. Remove and inspect brushes. Replace when worn to less than ¼" (6 mm). Inspect the commutator for wear. If excessively worn, have tool serviced.
3. Re-install brushes/install new brushes.
4. Run the unit at idle for 15 minutes in the forward direction followed by 15 minutes in the reverse direction to seat new brushes to the commutator before use.

Optional Equipment

⚠ WARNING

To reduce the risk of serious injury, only use equipment specifically designed and recommended for use with the 700 Power Drive such as those listed below.

Catalog No.	Description
42600	770 Adapter for 00-R (1/8" – 1") and 00-RB (1/4" – 1")
42605	771 Adapter for 0-R (1/8" – 1")
42610	772 Adapter for 11-R (1/8" – 1¼")
42615	773 Adapter for 111-R (1/8" – 1¼")
42620	774 Square Drive Adapter -15/16"
42625	775 Support Arm
46615	Torque Arm
42950	B-171-X Metal Carrying Case
10883	418 Oiler w/1 Gallon of Premium Thread Cutting Oil
41620	Gearhead Motor Grease

Further information on equipment available for 700 Power Drive specific to the tool can be found in the RIDGID Catalog and online at RIDGID.com.

Machine Storage

⚠ WARNING The 700 Power Drive must be kept indoors or well covered in rainy weather. Store the machine in a locked area that is out of reach of children and people unfamiliar with the machines. This machine can cause serious injury in the hands of untrained users.

Service And Repair

⚠ WARNING

Improper service or repair can make machine unsafe to operate.

The *Maintenance Instructions* will take care of most of the service needs of this machine. Any problems not addressed by this section should only be handled by an authorized RIDGID service technician.

Tool should be taken to a RIDGID Independent Service Center or returned to the factory. Use only RIDGID service parts.

For information on your nearest RIDGID Independent Service Center or any service or repair questions:

- Contact your local RIDGID distributor.
- Visit RIDGID.com to find your local RIDGID contact point.
- Contact Ridge Tool Technical Service Department at rttechservices@emerson.com, or in the U.S. and Canada call (800) 519-3456.

Thread Cutting Oil Information

Read and follow all instructions on the threading oil label and Safety Data Sheet (SDS). Specific information about RIDGID Thread Cutting Oils, including Hazard Identification, First Aid, Fire Fighting, Accidental Release Measures, Handling and Storage, Personal Protective Equipment, Disposal and Transportation, is included on the container and SDS. SDS is available at RIDGID.com or by contacting Ridge Tool Technical Service Department at (800) 519-3456 in U.S. and Canada or rttechservices@emerson.com.

Disposal

Parts of the 700 Power Drive contain valuable materials and can be recycled. There are companies that specialize in recycling that may be found locally. Dispose of the components in compliance with all applicable regulations. Contact your local waste management authority for more information.



For EC Countries: Do not dispose of electrical equipment with household waste!

According to the European Guideline 2012/19/EU for Waste Electrical and Electronic Equipment and its implementation into national legislation, electrical equipment that is no longer usable must be collected separately and disposed of in an environmentally correct manner.

Troubleshooting

PROBLEM	POSSIBLE REASONS	SOLUTION
Machine will not run.	Brushes do not touch armature.	Check brushes, replace if worn.
Machine not able to thread.	Dull dies. Overload due to torn or out-of-round threads. Poor quality or insufficient thread cutting oil. Insufficient line voltage.	Replace dies. See possible reasons below. Use RIDGID thread cutting oil in adequate quantity. Check power supply voltage.
Sparks forming at motor commutator	Insufficient contact between brushes and commutator Brushes do not touch commutator properly. Brushes of different manufacture. New brushes.	Tighten the brush caps to make sure brushes are pressed firmly onto commutator. Replace worn brushes and or armature. Only use RIDGID brushes. Seat the brushes by running the unit at idle for 15 minutes in Forward and Reverse.
Die Head does not start threading.	Die head not square with end of pipe. Engagement force not properly applied to the die head. Pipe end not squarely cut. Dull or broken dies. Machine running in wrong direction. Dies set improperly in the die head.	Push against die head cover plate to start thread. Apply engagement force through the centerline of the pipe. Cut the pipe end squarely. Replace dies. Run machine in correct direction. Ensure dies are set outward against the cover plate lugs.
Torn threads.	Damaged, chipped or worn out dies. Improper or insufficient thread cutting oil. Incorrect type of die for material. Poor pipe material/quality.	Replace dies. Only use RIDGID® Thread Cutting Oil in adequate quantity. Select high-speed, stainless steel, or alloy dies that are suitable for the application. Use higher quality pipe.
Out-of-round or Crushed Threads.	Pipe wall thickness too thin.	Use schedule 40 or heavier wall thickness.
Support device turns while threading.	Support arm jaws dirty. Support arm not aligned properly. Support arm not tight.	Clean with wire brush. Align support arm squarely with the pipe. Tighten feedscrew.
Thin Threads.	Dies not placed in proper order.	Place dies in proper die head slot.

Système d'entraînement électrique

700



AVERTISSEMENT

Familiarisez-vous avec le mode d'emploi ci-présent avant d'utiliser l'appareil. Tout manquement aux consignes avancées dans ce manuel augmenterait les risques de choc électrique, d'incendie et/ou de blessure grave.

Système d'entraînement électrique N° 700

Enregistrez ici le numéro de série indiqué sur la plaque signalétique de l'appareil pour future référence.

N° de
série

Table des matières

Fiche d'enregistrement du numéro de série de la machine	13
Symboles de sécurité	15
Consignes de sécurité générales visant les appareils électriques	
Sécurité des lieux	15
Sécurité électrique	15
Sécurité individuelle	16
Utilisation et entretien des appareils	16
Service après-vente	17
Consignes de sécurité spécifiques	
Sécurité du système d'entraînement électrique	17
Description, caractéristiques techniques et équipements de base	
Description	18
Caractéristiques techniques	18
Equipements de base	18
Inspection préalable	19
Préparation et utilisation	19
Montage des têtes de filière	20
Résistance au couple de filetage	21
Le filetage	22
Inspection des filets	23
Système d'entraînement électrique N° 700 – Autres applications	23
Consignes d'entretien	
Nettoyage	24
Lubrification	24
Remplacement des filières sur la tête de filière 12-R	24
Remplacement des balais du moteur	25
Accessoires	25
Stockage de la machine	25
Révisions et réparations	25
Huile de coupe	25
Recyclage	26
Dépannage	26
Déclaration de conformité CE	Recto de page de garde
Garantie à vie	Page de garde

*Traduction de la notice originale

Symboles de sécurité

Les symboles et mots clés utilisés à la fois dans ce mode d'emploi et sur l'appareil lui-même servent à signaler d'importants risques de sécurité. Ce qui suit permettra de mieux comprendre la signification de ces mots clés et symboles.



Ce symbole sert à vous avertir de risques d'accident potentiels. Le respect des consignes qui le suivent vous permettra d'éviter les risques d'accident grave ou potentiellement mortel.

DANGER

Le terme DANGER signifie une situation dangereuse qui, faute d'être évitée, provoquerait la mort ou de graves blessures corporelles.

AVERTISSEMENT

Le terme AVERTISSEMENT signifie une situation dangereuse potentielle qui, faute d'être évitée, serait susceptible d'entraîner la mort ou de graves blessures corporelles.

ATTENTION

Le terme ATTENTION signifie une situation dangereuse potentielle qui, faute d'être évitée, serait susceptible d'entraîner des blessures corporelles légères ou modérées.

AVIS IMPORTANT

Le terme AVIS IMPORTANT indique des informations concernant la protection des biens.



Ce symbole indique la nécessité de bien se familiariser avec la notice d'emploi avant d'utiliser ce matériel. La notice d'emploi renferme d'importantes consignes de sécurité et d'utilisation du matériel.



Ce symbole indique la nécessité du port systématique de lunettes de sécurité fermées ou avec œillères lors de la manipulation ou de l'utilisation de ce matériel afin de limiter les risques de lésions oculaires.



Ce symbole signale un risque de blessure par l'entraînement des doigts, des mains, des vêtements ou autres objets portés dans les engrenages de l'appareil.



Ce symbole signale un risque de choc électrique.



Ce symbole signale un risque de blessure en cas de renversement de l'appareil.



Ce symbole interdit le port de gants lors de l'utilisation de l'appareil afin de limiter les risques de blessure.



Ce symbole impose l'utilisation systématique d'un dispositif de support afin d'aider à absorber le couple développé lors du filetage, d'améliorer le contrôle de l'appareil, et de limiter les risques d'accident.

Consignes générales de sécurité visant les appareils électriques*

AVERTISSEMENT

Familiarisez-vous avec l'ensemble des consignes de sécurité et d'utilisation ci-présentes afin de limiter les risques de choc électrique, d'incendie et/ou de grave blessure corporelle.

Conservez l'ensemble des consignes de sécurité et d'utilisation pour future référence !

Le terme « appareil électrique » utilisé dans les consignes de sécurité vise à la fois les appareils électriques sur secteur et les appareils à piles.

Sécurité des lieux

- **Assurez la propreté et le bon éclairage des lieux.** Les chantiers encombrés ou mal éclairés sont une invitation aux accidents.
- **N'utilisez pas d'appareils électriques en présence de substances volatiles telles que liquides, gaz ou poussières combustibles.** Ce type de matériel risque de produire des étincelles susceptibles d'enflammer les poussières et émanations combustibles.

- **Eloignez les enfants et les curieux durant l'utilisation des appareils électriques.** Les distractions risquent de vous faire perdre le contrôle de l'appareil.

Sécurité électrique

- **La fiche de l'appareil doit correspondre à la prise de courant utilisée. Ne jamais tenter de modifier la fiche d'une manière quelconque. Ne jamais utiliser d'adaptateur de prise sur les appareils équipés d'une fiche avec terre. Tout appareil avec terre doit être branché sur une prise avec terre installée selon les normes en vigueur. Ne jamais éliminer la barrette de terre ou modifier la fiche d'une manière quelconque. En cas de doute visant la conformité de la mise à la terre de la prise, consulter un électricien qualifié.** Des fiches électriques non modifiées branchées sur des prises de courant adaptées limitent les risques de choc électrique.
- **Évitez tout contact avec des objets reliés à la terre tels que canalisations, radiateurs, cuisinières et réfrigérateurs.** Tout contact avec un élément relié à la masse ou à la terre augmenterait les risques de choc électrique.

* Le texte utilisé dans les *Consignes générales de sécurité* du présent manuel est issu, comme de droit, directement de la norme UL/CSA 62841-1 applicable. Ce texte renferme des consignes de sécurité générales applicables à de nombreux types d'appareil différents. Toutes ces précautions ne sont pas applicables à tous les types d'appareil, et certaines ne s'appliquent pas à celui-ci.

- **N'exposez pas les appareils électriques aux intempéries.** La moindre pénétration d'eau à l'intérieur de ces appareils augmenterait les risques de choc électrique.
- **Ne maltraitez pas le cordon d'alimentation de l'appareil. Ne jamais utiliser le cordon pour porter ou débrancher l'appareil. Eloignez le cordon de la chaleur, des matières grasses, des objets tranchants et des mécanismes. Remplacez immédiatement tout cordon endommagé.** Les cordons d'alimentation endommagés augmentent les risques de choc électrique.
- **Lors de l'utilisation d'un l'appareil à l'extérieur, prévoyez une rallonge électrique homologuée comportant les marquages « W-A » ou « W ».** Ces types de rallonge sont prévues pour une utilisation à l'extérieur et limiteront les risques de choc électrique.
- **S'il est inévitable d'utiliser l'appareil dans des endroits humides, prévoyez une source d'alimentation protégée par disjoncteur différentiel.** La présence d'un disjoncteur différentiel limitera les risques de choc électrique.

Sécurité individuelle

- **Soyez attentif, restez concentré et faites preuve de bon sens lors de l'utilisation de ce type d'appareil. Ne jamais utiliser ce matériel lorsque vous êtes fatigué ou sous l'influence de drogues, de l'alcool ou de médicaments.** Lors de l'utilisation d'un appareil électrique, un instant d'inattention risque d'entraîner de graves lésions corporelles.
- **Prévoyez les équipements de protection individuelle appropriés. Portez systématiquement une protection oculaire.** Selon le cas, le port d'un masque à poussière, de chaussures de sécurité antidérapantes, du casque ou d'une protection auriculaire peut aider à limiter les risques de lésion corporelle.
- **Évitez les risques de démarrage accidentel de l'appareil. Assurez-vous que son interrupteur marche/arrêt se trouve en position « arrêt » avant de le brancher, d'y installer un bloc-piles ou de le manipuler.** Porter un appareil électrique avec son doigt sur la gâchette, ou bien brancher un appareil électrique lorsque son interrupteur est en position « marche », serait une invitation aux accidents.
- **Retirez toute clé ou dispositif de réglage éventuel avant de mettre l'appareil en marche. Maintenez une bonne assiette et un bon équilibre à tout moment.** Une clé ou tout autre dispositif de réglage engagé sur un élément mécanique pourrait provoquer un accident.

- **Ne vous mettez pas en porte-à-faux. Maintenez une bonne assiette et un bon équilibre à tout moment.** Cela assurera un meilleur contrôle de l'appareil en cas d'imprévu.
- **Habillez-vous de manière appropriée. Ne portez pas ni des vêtements trop amples, ni de bijoux. Eloignez vos cheveux et vos vêtements des mécanismes lorsque l'appareil fonctionne.** Les vêtements amples, les bijoux et les cheveux longs risquent d'être entraînés par les mécanismes en rotation.
- **Lorsque l'appareil est pourvu d'un système de récupération de poussière, s'assurer que le système est correctement connecté et utilisé.** Les systèmes de récupération de poussière peuvent limiter les risques associés à l'inhalation des poussières.

Utilisation et entretien de l'appareil

- **Ne pas forcer l'appareil. Prévoyez l'appareil le mieux adapté aux travaux envisagés.** Un appareil adapté produira de meilleurs résultats et un meilleur niveau de sécurité lorsqu'il fonctionne au régime prévu.
- **Ne pas utiliser d'appareil dont l'interrupteur marche/arrêt ne fonctionne pas correctement.** Tout appareil qui ne peut pas être contrôlé par son interrupteur est considéré dangereux et doit être réparé.
- **Débrancher l'appareil ou retirez son bloc-piles avant tout réglage, remplacement d'outils ou stockage.** De telles mesures préventives aideront à limiter les risques de démarrage accidentel de l'appareil.
- **Ranger tout appareil non utilisé hors de la portée des enfants. L'utilisation de cet appareil doit être strictement réservé à du personnel compétent disposant d'une formation adéquate.** Ce type d'appareil peut devenir dangereux entre les mains d'un novice.
- **Assurer l'entretien approprié de l'appareil. S'assurer de l'absence d'éléments grippés ou endommagés, voire toute autre anomalie susceptible de nuire au bon fonctionnement et à la sécurité de l'appareil. Ne pas utiliser d'appareil endommagé avant sa réparation.** De nombreux accidents sont le résultat d'appareils mal entretenus.
- **Assurer l'affutage et la propreté des outils de coupe.** Des outils de coupe correctement entretenus et affûtés sont moins susceptibles de se gripper et sont plus faciles à contrôler.
- **Utiliser l'appareil, ses accessoires et ses outils de coupe selon les consignes ci-présentes, tout en tenant compte des conditions de travail et d'exécution envisagées.** Toute déviation de l'emploi prévu

pour cet appareil électrique augmenterait les risques d'accident grave.

Service après-vente

- **Confiez la révision de votre appareil électrique à un réparateur qualifié utilisant exclusivement des pièces de rechange d'origine.** Cela assurera la sécurité opérationnelle de l'appareil.

Consignes de sécurité spécifiques

⚠ AVERTISSEMENT

La section suivante contient d'importantes consignes de sécurité visant ce type d'appareil en particulier.

Afin de limiter les risques de choc électrique et autres lésions corporelles graves, familiarisez-vous avec celles-ci avant d'utiliser le système d'entraînement électrique N° 700.

Conservez toutes consignes d'utilisation et de sécurité pour future référence !

Gardez ce manuel à portée de main de tout utilisateur éventuel.

Sécurité du système d'entraînement électrique

- **Respectez les consignes d'utilisation de cet appareil.** Familiarisez-vous au préalable avec les consignes de sécurité et d'emploi de l'ensemble du matériel utilisé. Toute négligence de ces consignes augmenterait les risques de dégâts et/ou de blessure corporelle grave.
- **Lors du filetage des tuyaux d'un diamètre de 1" (25 mm) ou plus, prévoyez un dispositif de support afin de résister au couple développé lors du filetage. Servez-vous du type de dispositif de support approprié selon les consignes ci-après.** Les dispositifs de support améliorent le contrôle de l'appareil et réduisent les risques d'accident.
- **Lors de l'utilisation d'un dispositif de support autre que le bras de support indiqué, ce dispositif de support doit avoir son point d'appui contre le bâti moteur de l'appareil.** Tout autre point d'appui risquerait d'endommager l'appareil ou d'augmenter les risques d'accident.
- **Quel que soit le dispositif de support utilisé, tenez toujours le système d'entraînement fermement lors du filetage ou retrait des filières afin de résister au couple développé lors de l'opération.** Cela limitera les risques d'accident.
- **N'utilisez pas ce système d'entraînement si son interrupteur est endommagé.** L'interrupteur est un dispositif de sécurité qui arrête le moteur dès qu'on le lâche.
- **Ne jamais porter de gants ou de vêtements flottants lors de l'utilisation de ce type d'appareil. Boutonnez vos manches et vos blousons. Ne jamais se pencher sur l'appareil ou le tuyau.** Les vêtements pourraient s'entortiller autour du tuyau ou de l'appareil.
- **Un seul individu doit se charger à la fois du fonctionnement de l'appareil et du processus.** Seul cet opérateur doit se trouver dans la zone de travail lorsque l'appareil tourne. Cela aidera à limiter les risques d'accident.
- **Ne jamais utiliser des filières émoussées ou endommagées.** Les outils de coupe bien affûtés offrent moins de résistance et facilitent le contrôle du système d'entraînement.
- **Nettoyez systématiquement les poignées de l'appareil afin d'éliminer toutes traces d'huile et de crasse.** Cela permettra de mieux contrôler l'appareil.
- **Nettoyez et séchez les sols à l'intérieur de la zone de travail.** Les sols glissants sont une invitation aux accidents.
- **Utilisez exclusivement des têtes de filière RIDGID sur le système d'entraînement RIDGID 700, car d'autres marques de têtes de filière risquent d'être inadaptées au point d'endommager l'appareil et augmenter les risques d'accident.**
- **Lors d'une utilisation autre que celle décrite dans ce manuel, prévoyez un dispositif de support pour résister aux forces renvoyées à la poignée de l'appareil.** Les dispositifs de support améliorent le contrôle de l'appareil et limitent les risques d'accident.

En cas de questions concernant ce produit RIDGID® veuillez :

- Consulter le distributeur RIDGID® le plus proche ;
- Visiter le site RIDGID.com pour trouver le représentant RIDGID le plus proche ;
- A partir des Etats-Unis ou du Canada, vous pouvez consulter les services techniques Ridge Tool par e-mail adressé à rtctechservices@emerson.com ou en composant le (800) 519-3456.

Description, fiche technique et équipements de base

Description

Le système d'entraînement RIDGID® 700 assure la motricité nécessaire au filetage des tuyaux et conduits. Un interrupteur à bascule permet d'inverser le sens de rotation de l'appareil.

Ce système d'entraînement reçoit les têtes de filière à changement rapide type RIDGID 12-R pour tuyaux de 1/8" à 2" de diamètre. D'autres types de tête de filière, telles que la 00-R et la 11-R peuvent être utilisées à l'aide d'adaptateurs.

Lors du filetage des tuyaux d'un diamètre de 1" ou plus, il est nécessaire de prévoir un dispositif de support, tel que le bras de support N° 775 ou une clé à griffe industrielle RIDGID de 14 pouces, afin de résister au couple développé lors du filetage.

Ce système d'entraînement peut également entraîner plusieurs autres types d'outils, y compris le coupe-tubes RIDGID 258 (se reporter au chapitre « Autres utilisations »).

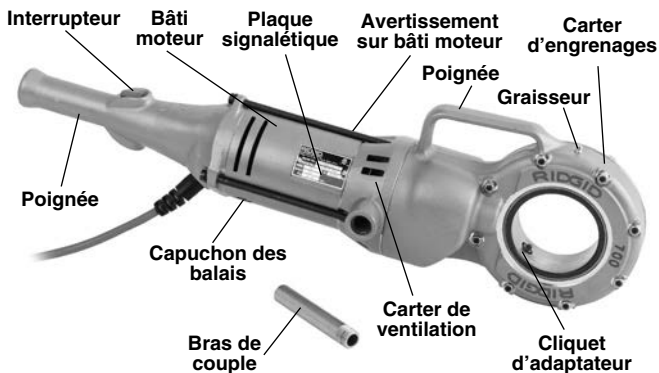


Figure 1 – Système d'entraînement N° 700

Caractéristiques techniques

Capacité de filetage ...Tuyaux : 1/8" à 2" (3 à 50 mm)
 Boulonnerie : 1/4" à 1" (6 à 25 mm) avec tête de filière 00-RB

Moteur :

- Type.....Universel, inversible
- Tension d'alimentation.....110V / 120V / 220-240V
- Ampères.....13,5 / 13,5 / 6,5
- Fréquence.....50/60Hz / 50/60Hz / 50/60Hz
- Puissance1500 / 1500 / 1500
- Régime de rotation...26 à 30 t/min (à vide)

Commandes.....Interrupteur/inverseur à bascule avec retour à l'arrêt automatique

Carter d'engrenages...Fonte alu, avec réducteur, cliquets à ressort et fuseau en acier durci

Dimensions :

- Longueur.....28 1/4" (717 mm)
- Largeur6 1/16" (154 mm)
- Hauteur7 13/16" (198 mm)
- Poids25 lbs. (11 kg)
- Pression sonore (L_{PA})**98,4 dB(A), K=3
- Puissance sonore (L_{WA})**107 dB(A), K=3
- Vibrations**2,5 m/s², K=1,5

En présence de plusieurs versions disponibles, reportez-vous à la plaque signalétique de l'appareil pour les caractéristiques de votre moteur spécifique.

Les niveaux sonores et vibratoires ci-présents ont été établis selon la norme EN 62481-1

- Les niveaux vibratoires peuvent servir de comparaison avec d'autres appareils et aux fins d'évaluations d'exposition préliminaires.
- Les niveaux sonores et vibratoires peuvent varier selon la localisation et l'utilisation de ces appareils.
- Les niveaux d'exposition sonore et vibratoire doivent être évalués au quotidien pour chaque application afin de pouvoir prendre, le cas échéant, les mesures de sécurité appropriées. Ces évaluations doivent prendre en compte les temps morts durant lesquels l'appareil est éteint et non utilisé. Cela peut significativement réduire les niveaux d'exposition au cours d'une durée de travail établi.

Équipements de base

Le système d'entraînement N° 700 est livré avec les articles suivants :

- Système d'entraînement N° 700
- Support
- Bras de couple
- Mode d'emploi

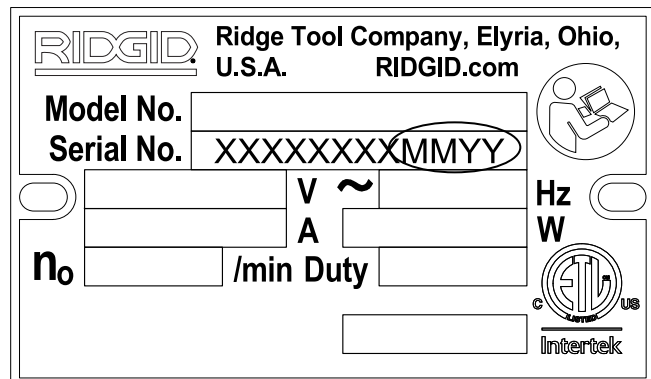


Figure 2 – Numéro de série de la machine

La plaque signalétique du système d'entraînement N° 700 se trouve en sous son bâti. Les quatre derniers chiffres représente le mois et l'année de sa fabrication (12 = mois, 15 = année).

Avis important Le choix des matériaux et des méthodes d'assemblage et installation appropriés appartient au concepteur et/ou installateur du réseau. La sélection de matériaux ou de méthodes inadaptés pourrait entraîner la défaillance du réseau.

L'acier inoxydable et autres matériaux anticorrosion peuvent être contaminés en cours d'installation, de raccordement ou de façonnage. Une telle contamination pourrait entraîner la corrosion et la défaillance prématurée du réseau. Il convient donc d'effectuer une étude préalable approfondie des matériaux et des méthodes utilisés en fonction des conditions d'exploitation envisagées avant toute intervention.

Inspection préalable

⚠ AVERTISSEMENT



Examinez le système d'entraînement électrique N° 700 avant chaque intervention et corrigez toute anomalie éventuelle afin d'assurer son bon fonctionnement et limiter les risques de choc électrique, écrasement et autres blessures graves.

1. Assurez-vous que le système d'entraînement est débranché.
2. Éliminez toutes traces d'huile, de graisse ou de crasse du système d'entraînement et du dispositif de support, notamment au niveau des poignées et commandes. Cela facilitera l'inspection de l'appareil et vous permettra de mieux le contrôler en cours d'utilisation.
3. Examinez le système d'entraînement en vous concentrant sur les points suivants :
 - La détérioration ou modification éventuelle du cordon d'alimentation ou de sa fiche.
 - Le bon assemblage et entretien de l'appareil, ainsi que son intégralité.
 - La présence d'éléments endommagés, désalignés ou grippés.
 - Le bon fonctionnement de l'interrupteur/inverseur, notamment au niveau de la fluidité de sa bascule.
 - La présence et la lisibilité des avertissements apposés sur l'appareil (Figure 3).
 - Toute autre anomalie susceptible de nuire au bon fonctionnement et à la sécurité de l'appareil.

Le cas échéant, ne pas utiliser le système d'entraînement avant d'avoir corrigé toute anomalie éventuelle.

4. Examinez le bras de support. Vérifiez la propreté et le bon état général de ses mâchoires. Les mâchoires peuvent être nettoyées à l'aide d'une brosse métallique.
5. Examinez le tranchant des filières pour signes d'usure, de déformation, de présence de copeaux ou autres anomalies. Les outils de coupe émoussés ou endommagés augmentent la résistance lors du file-

tage, produisent des filetages de mauvaise qualité, et augmentent les risques d'accident.

6. Examinez et maintenez l'ensemble du matériel accessoirement utilisé selon les consignes applicables afin d'assurer son bon fonctionnement.
7. Une fois que le système d'entraînement a été préparé selon le chapitre *Préparation et utilisation de l'appareil*, vérifiez le bon fonctionnement du système d'entraînement de la manière suivante.
 - Appuyez momentanément sur le côté Marche Avant de l'interrupteur, puis sur son côté Marche Arrière pour vous assurer que l'appareil tourne bien dans le sens correspondant indiqué à la Figure 3, et que l'interrupteur permet de contrôler l'appareil normalement.

Attendez que le système d'entraînement s'arrête complètement avant d'inverser son sens de rotation. Cela évitera d'endommager ses engrenages.

- Tout en appuyant sur l'interrupteur, examinez le mécanisme pour signes de désalignement, grippage, bruits anormaux ou autres conditions inhabituelles, puis lâchez l'interrupteur.

En cas d'anomalie quelconque, il sera nécessaire de faire réparer l'appareil avant de le réutiliser.

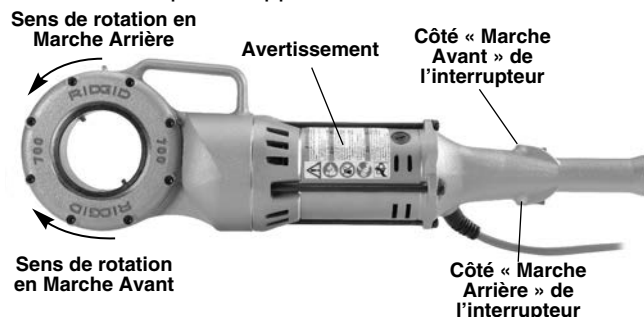
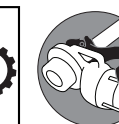


Figure 3 – Position de l'interrupteur en fonction du sens de rotation

8. Après avoir lâché l'interrupteur, et avec les mains sèches, débranchez l'appareil.

Préparation et utilisation de l'appareil

⚠ AVERTISSEMENT



Préparer le système d'entraînement électrique N° 700 et le chantier selon les consignes suivantes afin d'assurer le bon fonctionnement de l'ensemble et limiter les risques de choc électrique,

enchevêtrement, écrasement des membres ou autres accidents.

Lors des filetages d'un diamètre égal ou supérieur à 1" (25 mm), prévoir un dispositif de support afin de résister au couple développé lors du filetage. Utiliser les types de dispositifs appropriés indiqués aux chapitres suivants. Les dispositifs de support améliorent le contrôle de l'appareil et réduisent les risques d'accident.

Quel que soit le type de dispositif de support utilisé, il est faut toujours tenir le système d'entraînement fermement afin de résister aux couple développé lors de l'opération de filetage ou du retrait des filières. Cela limitera les risques d'accident.

Soutenir le tuyau de manière appropriée. Cela limiter les risques de renversement du tuyau et des blessures qu'un tel renversement pourrait provoquer.

Ne jamais utiliser un système d'entraînement dont l'interrupteur ne fonctionne pas correctement.

Ne jamais porter de gants ou de vêtements amples lors de l'utilisation de l'appareil. Boutonner les manches longues et les blousons. Ne jamais se pencher sur l'appareil ou le tuyau. Les vêtements risqueraient d'être entraînés dans le mécanisme ou de s'entortiller autour du tuyau.

Un seul individu doit se charger à la fois du processus et de la commande de l'interrupteur. Ne jamais tenter de lancer le processus à plusieurs. En cas d'incident, seul l'opérateur doit pouvoir contrôler l'interrupteur.

1. Examinez les lieux pour :
 - Un éclairage suffisant.
 - La présence de liquides, émanations ou poussières inflammables. Le cas échéant, n'intervenez pas avant d'avoir identifié, neutralisé ou éliminé leur source, et que la zone ait été entièrement ventilée. Ces fileteuses ne sont pas blindées et risquent de produire des étincelles.
 - Un endroit dégagé, de niveau, stable et sec pour l'ensemble du matériel et l'opérateur.
 - Une bonne ventilation. Ne pas utiliser de manière prolongée dans des lieux exigus et renfermés.
 - La présence d'une prise de courant homologuée et de tension adaptée. En cas de doute, faites contrôler la prise par un électricien.
 - Un passage dégagé jusqu'à la prise électrique, sans obstacles susceptibles d'endommager le cordon d'alimentation de l'appareil.
2. Inspectez le tuyau à fileter et les raccords associés afin de confirmer que le système d'entraînement N° 700 est adapté aux travaux envisagés (se reporter au chapitre « *Caractéristiques techniques* »)

Le matériel prévu pour d'autres types d'applications peuvent se trouver dans le catalogue Ridge Tool, en ligne sur le site RIDGID.com, ou bien, à partir des Etats-Unis ou du Canada, en consultant les services techniques Ridge Tool par numéro vert au (800) 519-3456.

3. Assurez-vous de l'inspection préalable appropriée du matériel utilisé.
4. Préparez le tuyau de manière appropriée. Assurez-vous que son extrémité est parfaitement d'équerre et ébavurés. Un embout de tuyau en faux équerre risque d'endommager les filières en cours de filetage ou empêcher l'engagement de la tête de filière.
5. Assurez-vous que le tuyau reste stable et bien arrimé afin d'éviter son renversement en cours d'opération. Prévoyez les porte-tubes nécessaires au soutien de la longueur du tuyau.
6. Vérifiez le niveau d'huile de coupe du réservoir d'huile RIDGID 418. Retirez le tiroir à copeaux afin de vérifier la propreté de son filtre et son immersion complète. A besoin, rajoutez ou remplacez l'huile de coupe. Positionnez le réservoir d'huile de coupe N° 418 sous l'extrémité du tuyau.

Montage des têtes de filière

1. Débranchez le système d'entraînement électrique.
2. Engagez, cannelures en premier, la tête de filière 12-R ou l'adaptateur nécessaire (*se reporter au chapitre Accessoires*) dans le système d'entraînement jusqu'à ce le cliquet d'entraînement s'engage (*Figure 4*). La tête de filière et l'adaptateur peuvent s'engager d'un côté ou de l'autre du système d'entraînement. Dans certains cas, il sera nécessaire de tourner la tête ou l'adaptateur pour engager le cliquet. Les têtes de filière des adaptateurs 770 et 773 devront être installées avant de pouvoir engager l'adaptateur.
3. Normalement, les têtes de filière se dégagent du système d'entraînement en tirant. Si elles résistent, servez-vous d'un maillet ou d'un bloc de bois pour les marteler délicatement. Ne jamais taper durement sur les têtes de filière, car cela risquerait d'endommager l'outil.



Figure 4 – Montage des têtes de filière sur le système d'entraînement électrique N° 700

Résistance au couple de filetage (Dispositifs de support)

Vue de face, la tête de filière tournera en sens horaire lors des filetages à droite. Le couplé (lire : résistance) développé lors du filetage viendra en sens inverse (voire, en sens antihoraire). Le sens de rotation et la résistance correspondante seront inversés pour les filetages à gauche. Assurez-vous que le dispositif de support utilisé est installé de manière à absorber et résister au couple directionnel en question.

Utilisation du bras de support N° 775

1. L'étrier du bras de support peut être monté d'un côté ou de l'autre. Serrez son écrou à fond.
2. Positionnez le bras de support de manière à ce que son extrémité arrive à fleur de l'extrémité du tuyau et que le système d'entraînement N° 700 est légèrement incliné (Figures 5 et 6). Cela assurera la position idéale du bras de support et empêchera l'huile de coupe de s'écouler le long du système d'entraînement.
3. Assurez-vous que ses mâchoires sont bien d'équerre avec le tuyau avant de serrer le bras de support en place.

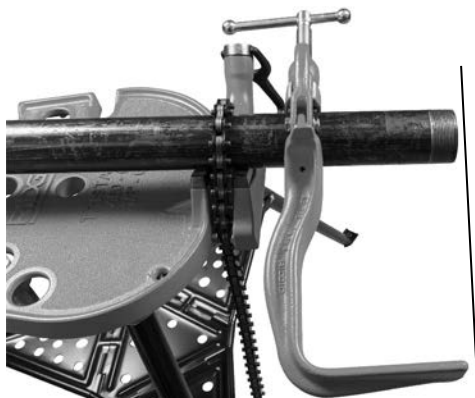


Figure 5 – Bras de support aligné sur l'extrémité du tuyau



Figure 6 – Bras de support positionné avec système d'entraînement N° 700 légèrement incliné

Utilisation des clés à griffe industrielles RIDGID de 12", 14" ou 18" :

1. Vissez le bras de couple dans le carter de ventilation du système d'entraînement N° 700. Le bras de couple peut être éventuellement remplacé par une longueur de 5" (127 mm) de tube acier série 80 de 1/2" de diamètre avec filetage NPT de 1/2".
2. Positionnez la clé à griffe industrielle RIDGID de 12, 14 ou 18 pouces à approximativement 7" (175 mm) de l'extrémité du tuyau (Figure 7). Assurez-vous de la parfaite immobilité de la clé à griffes, voire qu'elle ne risque pas de tomber ou de se déplacer sous l'effort.
3. Le bras de couple doit s'appuyer sur le manche de la clé à griffes lorsque l'opération de filetage est entamée.

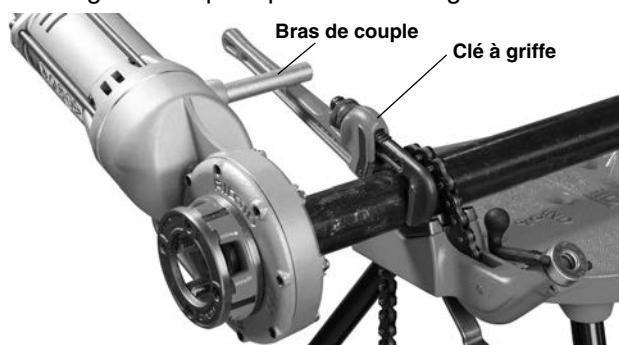


Figure 7 – L'opération de filetage utilisant une clé à griffe et bras de couple

Autres moyens de support :

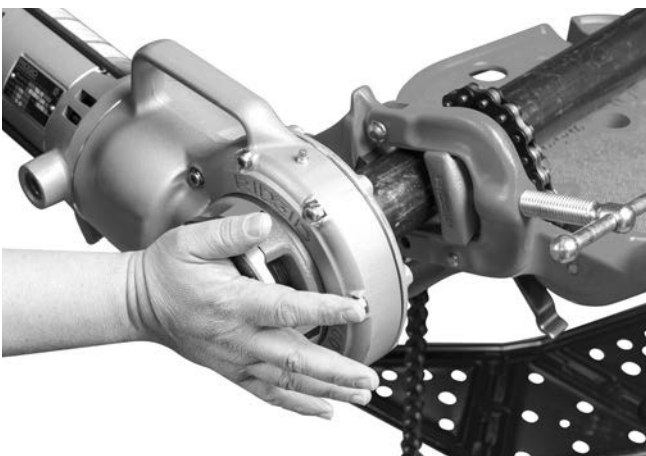
Appuyez le bâti du système d'entraînement (Figure 1) contre un membre structurel voisin (mur, poutre, solive, etc.). Cela suppose que le membre structurel en question, ainsi que le tuyau à fileter, peuvent supporter à la fois le poids de l'appareil et les efforts imposés par l'opération de filetage. Il peut être éventuellement nécessaire d'ajouter des porte-tubes ou éléments structurels supplémentaire (temporaires ou permanents) afin de résister au couple développé lors du filetage.

Pour les tuyaux d'un diamètre maximal de ¾" (19 mm) :

Les tuyaux d'un diamètre maximal de ¾" (19 mm) peuvent être filetés sans dispositif de support. L'utilisateur doit alors résister lui-même au couple développé par les opérations de filetage et de retrait des filières. Le tuyau doit alors être suffisamment bien arrimé pour empêcher sa rotation. L'utilisateur doit toujours tenir l'appareil fermement afin de résister au couple développé lors de ces opérations et limiter les risques d'accident.

Le filetage des tuyaux

1. Avec les mains sèches, branchez le système d'entraînement électrique.
2. Engagez la tête de filière sur l'extrémité du tuyau, puis reposez le système d'entraînement sur le dispositif de support comme indiqué au chapitre *Résistance au couple de filetage*. Assurez-vous que le système d'entraînement reste en contact permanent avec le dispositif de support. Ne jamais entreposer quoi que ce soit entre le système d'entraînement et son dispositif de support, car cela augmenterait les risques de pincement ou d'écrasement des membres.
3. Positionnez-vous de manière appropriée afin de mieux contrôler l'appareil (*Figure 9*).
 - Assurez-vous de pouvoir maintenir votre équilibre et de ne pas avoir à vous pencher en avant en cours d'opération.
 - Assurez-vous de pouvoir contrôler à la fois l'appareil et son interrupteur à tout moment. N'appuyez pas encore sur l'interrupteur. En cas d'urgence, vous devez pouvoir lâcher l'interrupteur.

**Figure 8 – Entamez le filetage**

4. Pour entamer le filetage, appuyez simultanément sur l'interrupteur (*Figure 3*) et, avec la paume de l'autre main, sur la tête de filière (*Figure 8*). Ne jamais interposer un chiffon ou porter de gants ou de bijoux

lorsque vous appuyez sur la tête de filière, car cela augmenterait les risques d'enchevêtrement et de blessure. Une fois les filières engagées, elles avanceront d'elles-mêmes pour entamer le filetage du tuyau.

Ne jamais lâcher prise sur la poignée du système d'entraînement, car les dispositifs de support peuvent éventuellement glisser et permettre au système d'entraînement de se déloquer. Lâchez l'interrupteur à tout moment pour arrêter le système d'entraînement.

**Figure 9 – Filetage des tuyaux**

5. Cessez d'appuyer sur la tête de filière, puis utilisez la pompe de lubrification pour appliquer une quantité généreuse d'huile de coupe RIDGID Thread Cutting Oil sur le filetage en cours. Cela réduira le couple de filetage, produira des filets de meilleure qualité, et augmentera la longévité des filières.
6. Continuez d'appuyer sur l'interrupteur jusqu'à ce que l'extrémité du tuyau arrive à fleur des filières (*Figure 10*). Faites attention de ne pas laisser le système d'entraînement arriver en contact avec le dispositif de support. Lâchez l'interrupteur et attendez que le système d'entraînement s'arrête complètement.

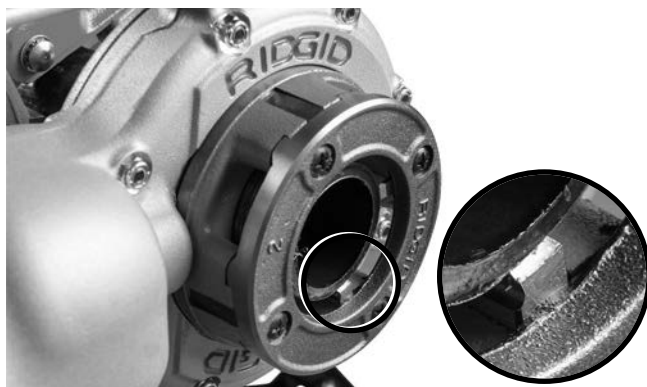


Figure 10 – Tuyau à fleur des filetages

7. Appuyez sur le côté Marche Arrière de l'interrupteur pour retirer la tête de filetages. Tenez fermement la poignée de l'appareil afin de résister au couple développé lors du déblocage des filetages et du retrait de la tête de filetages.
8. Lâchez l'interrupteur, puis retirez le système d'entraînement et la tête de filetages du tuyau.
9. Avec les mains sèches, débranchez le système d'entraînement électrique.
10. Essuyez les filets du tuyau et les filetages de la tête de filetage afin d'éliminer toutes traces d'huile et de débris, tout en faisant attention de ne pas vous couper sur les débris ou tranchants respectifs. Nettoyez les lieux afin d'éliminer toutes traces d'huile déversée.

Inspection des filetages

1. Nettoyez le filetage afin d'éliminer toutes traces d'huile, de copeaux et débris.
2. Examinez le filetage visuellement. Les filets devraient être lisses, intègres et bien formés. Des anomalies telles que déchirure, ondulation, finesse excessive ou ovalisation des filets pourrait nuire à l'étanchéité du raccord. Reportez-vous au chapitre *Dépannage* pour mieux évaluer de tels problèmes.
3. Contrôlez le pas de filetage. La méthode préférée consiste en l'utilisation d'une jauge annulaire. Il existe plusieurs types de jauges annulaires, et leur utilisation peut varier de celle indiquée à la *Figure 11*.
 - Vissez manuellement la jauge annulaire sur le filetage.
 - Notez le débordement du tuyau fileté en amont de la jauge. L'extrémité du tuyau devrait arriver à fleur de la jauge à plus ou moins un tour près. Si le filetage du tuyau s'avère hors norme, sectionnez ce filetage et filetez-en un nouveau. Tout filetage non conforme est susceptible de provoquer des fuites.

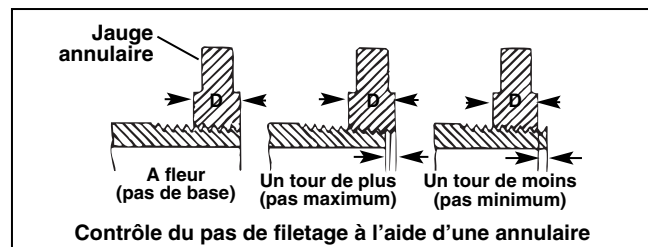


Figure 11 – Contrôle du pas de filetage

- En l'absence d'une jauge annulaire pour vérifier le pas de filetage, servez-vous éventuellement d'un raccord neuf, propre et représentatif des ceux qui seront utilisés sur chantier pour vérifier le pas. Pour les filetages NPT de 2 pouces ou moins, le filetage obtenu devrait permettre entre 4 et 5 tours de serrage à la main du raccord, et de 3 tours pour les raccords BSPT.

Autres applications du système d'entraînement N° 700

Ce manuel n'est destiné qu'à l'utilisation du système d'entraînement électrique N° 700 en tant que système d'entraînement pour têtes de filetages. Lors de son utilisation avec d'autres types d'appareil RIDGID (tels que les coupe-tubes électriques RIDGID 258 ou 258XL), reportez-vous au manuel correspondant pour les consignes d'utilisation et de sécurité applicables.

La société Ridge Tool n'est pas en mesure de fournir des instructions détaillées pour toutes les applications possibles du système d'entraînement électrique N° 700. Il appartient à l'utilisateur d'évaluer les conditions de travail existantes et d'y appliquer les règles de l'art et méthodes de travail appropriées. En cas de doute visant l'applicabilité du système d'entraînement électrique N° 700 en fonction de vos besoins, ne l'utilisez pas.

Lors de l'utilisation du système d'entraînement électrique N° 700 pour d'autres applications, évaluez et préparez le chantier soigneusement selon les critères ci-après. Le système d'entraînement N° 700 développe un niveau de couple élevé qui, étant directement transmis à la poignée de l'appareil, risque d'entraîner le bris ou les l'écrasement des membres.

- L'adaptateur RIDGID 774 permet d'utiliser le système d'entraînement N° 700 pour façonner des carrés de 15/16". Arrimez l'adaptateur fermement afin de l'empêcher de s'échapper en cours d'utilisation.
- Un moyen de résistance au couple transmis à la poignée de l'appareil doit être prévu (se reporter au chapitre *Résistance au couple de filetage*). Ce couple peut dépasser les 1000 lbs. (455 kg). Des dispositifs de

support peuvent être placés contre le bâti moteur ou le carter de ventilation du système d'entraînement N° 700 (Figure 1).

- Gardez le système d'entraînement constamment appuyé contre le dispositif de support. Ne jamais introduire vos membres entre le système d'entraînement et son support.
- Il ne doit y avoir aucun mouvement relatif entre le système d'entraînement et le support en cours d'utilisation.
- Assurez-vous que l'opération envisagée, telle que l'ouverture ou fermeture d'une vanne, ne comporte pas d'éléments grippés et que la course de la vanne est connue. Si l'élément en question devait se bloquer ou buter en cours d'opération, il y aurait une augmentation brutale et significative du couple renvoyé à travers la poignée, et le risque de voir tourner le système d'entraînement autour de l'objet.
- Lors de l'utilisation de l'appareil pour ouvrir et fermer des vannes ou autres dispositifs semblables, respectez l'ensemble des consignes du fabricant. Ne jamais surcharger le matériel.
- Positionnez-vous de manière à ce que l'éventuel renvoi de couple soit dirigé au contre de vous et non vers vous.
- Lâchez l'interrupteur à tout moment pour arrêter le système d'entraînement. Assurez-vous de pouvoir lâcher l'interrupteur en cas d'urgence.

Consignes d'entretien

⚠ AVERTISSEMENT

Avant toute intervention ou réglage, vérifier que l'interrupteur est lâché et que l'appareil est débranché.

Respectez les consignes d'entretien suivantes afin de limiter les risques de choc électrique, d'enchevêtrement et autres accidents.

Nettoyage

1. Après chaque intervention, videz le tiroir à copeaux du système de lubrification N° 418 et essuyez-le soigneusement.
2. Essuyez le système d'entraînement afin d'éliminer toutes traces d'huile, de graisse, de copeaux et de crasse, notamment au niveau des poignées et commandes.
3. Éliminez toutes traces d'huile, de graisse et de crasse du bras de support. Au besoin, nettoyez les

mâchoires du bras de support à l'aide d'une brosse métallique.

4. Éliminez toutes traces de copeaux et de crasse des têtes de filière.

Lubrification

A intervalles de 3 à 6 mois (selon la fréquence d'utilisation de l'appareil), servez-vous d'un pistolet à graisse pour lubrifier le graisseur du carter d'engrenages (Figure 1) à l'aide d'une graisse au lithium pour pression extrême type EP (ou PE).

Remplacement des filières sur tête de filière 12-R

La tête de filière RIDGID 12-R peut recevoir plusieurs types de filières. Reportez-vous au catalogue pour leur disponibilité.

1. Retirez les quatre vis (4), le couvercle (2) et les filières (3) de la tête de filière.
2. Introduisez les nouvelles filières numérotées 1, 2, 3 et 4 dans les logements numérotés correspondants de la tête de filière avec le numéro de filière en haut. Remplacez systématiquement le jeu complet de filières.
3. Réinstallez le couvercle (2), puis introduisez les vis (4) sans trop les serrer.
4. Vissez une longueur de tuyau déjà fileté entre les filières jusqu'à ce que celles-ci commencent à s'engager. Cela engagera la mortaise (B) de chaque filière sur le tenon (A) correspondant du couvercle afin de positionner la filière de manière appropriée.
5. Serrez les quatre vis à fond, retirez le tuyau fileté, puis effectuez un filetage témoin.

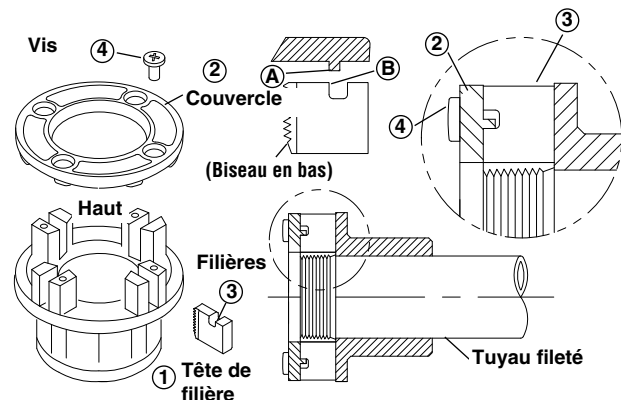


Figure 12 – Installation des filières dans la tête de filière

Remplacement des balais du moteur

Examinez les balais du moteur tous les 6 mois. Remplacez-les dès que leur épaisseur est réduite à moins de ¼" (6 mm).



Figure 13 – Installation des balais

1. Débranchez l'appareil.
2. Dévissez les capuchons de balais. Retirez et examinez les balais. Remplacez-les dès que leur épaisseur est réduite à moins de ¼" (6 mm). Examinez les porte-balais pour signes d'usure excessive. Le cas échéant, faites réviser l'appareil.
3. Réinstallez les balais existants ou installez de nouveaux balais.
4. Avant d'utiliser l'appareil, faites-le tourner au point mort en marche avant pendant 15 minutes, puis en marche arrière pendant 15 minutes afin d'assoier les balais neufs dans leurs porte-balais respectifs.

Accessoires

⚠ AVERTISSEMENT

Limitez les risques d'accident en utilisant exclusivement des accessoires spécifiquement prévus pour le système d'entraînement électrique N° 700, tels que ceux indiqués ci-après.

Réf. catalogue	Description
42600	Adaptateur n° 770 pour 00-R (1/8" à 1") et 00-RB (1/4" à 1")
42605	Adaptateur n° 771 pour 0-R (1/8" à 1")
42610	Adaptateur n° 772 pour 11-R (1/8" à 1¼")
42615	Adaptateur n° 773 pour 11-R (1/8" à 1¼")
42620	Adaptateur n° 774 pour carré de 15/16"
42625	Bras de support n° 775
46615	Bras de couple
42950	Malette métallique B-171-X
10883	Système de lubrification n° 418 avec 1 gallon d'huile de coupe Premium Thread Cutting Oil
41620	Graisse de carter d'engrenages

Des accessoires supplémentaires destinés exclusivement au système d'entraînement N° 700 se trouvent dans le catalogue RIDGID et sur le site RIDGID.com.

Remisage de la machine

⚠ AVERTISSEMENT Le système d'entraînement électrique N° 700 doit être rangé à l'intérieur ou à l'abri des intempéries. Rangez l'appareil dans un local sous clé et hors de la portée des enfants et des curieux. Ce type d'appareil peut provoquer de graves lésions corporelles s'il tombe entre des mains inexpérimentées.

Révisions et réparations

⚠ AVERTISSEMENT

Toute intervention mal exécutée peut rendre cet appareil dangereux.

Le chapitre « *Entretien* » ci-devant devrait couvrir la majorité des besoins d'entretien de cet appareil. La réparation de toute anomalie éventuelle qui n'est pas couverte dans ce chapitre devra être confiée à un réparateur RIDGID agréé.

L'appareil devra être remis à un réparateur RIDGID indépendant ou renvoyé à l'usine. N'utilisez que des pièces de rechange d'origine RIDGID.

Pour localiser le réparateur RIDGID indépendant le plus proche ou adresser vos questions visant la révision ou réparation de l'appareil :

- Consultez le distributeur RIDGID le plus proche.
- Rendez-vous sur le site RIDGID.com pour localiser le représentant RIDGID le plus proche.
- Consultez les services techniques de Ridge Tool par courriel adressé à rttechservices@emeron.com ou bien, à partir des Etats-Unis ou du Canada, en composant le (800) 519-3456.

Informations visant l'huile de coupe

Familiarisez-vous avec les consignes de l'étiquette du conteneur d'huile de coupe, ainsi qu'avec sa fiche signalétique (SDS). Celles-ci contiennent des informations spécifiques visant les huiles de coupe RIDGID, comprenant leur classification de toxicité, mesures de premier soins, lutte contre les incendies et déversements accidentels, manipulation et stockage, équipements de protection individuelle, recyclage et transport. La fiche technique SDS peut être obtenue sur le site RIDGID.com, en consultant les services techniques de Ridge Tool en

composant le (800) 519-3456 à partir des Etats-Unis ou du Canada, ou bien par courriel adressé à rtctechservices@emerson.com.

Recyclage

Certains éléments du système d'entraînement électrique N° 700 contiennent des matières précieuses recyclables, et certaines entreprises locales peuvent être à même de les recycler. Disposez de ces éléments et des huiles de rechange selon la réglementation en vigueur. Consultez

votre centre de recyclage local pour de plus amples détails.



Pays de la CE : Ne jamais disposer du matériel électrique dans les ordures ménagères !

Selon le décret 2012/-19/EU visant le recyclage du matériel électrique et électronique et son application au niveau national, tout matériel électrique non utilisable doit être récupéré et recyclé séparément et de manière écologiquement responsable.

Dépannage

Problème	Causes possibles	Remède
L'appareil ne fonctionne pas.	Balais éloignés de l'armature.	Examiner les balais. Remplacer les balais usés.
L'appareil refuse de fileter.	Filières émoussées. Surcharge due à des filets déchirés ou ovalisés. Mauvaise qualité ou manque d'huile de coupe. Tension électrique insuffisante.	Remplacer les filières. Voir causes possibles ci-dessous. Utiliser l'huile de coupe RIDGID en quantité suffisante. Vérifier la tension d'alimentation.
Le moteur émet des étincelles.	Mauvais contact entre balais et porte-balais. Manque de contact entre balais et porte-balais. Balais de fabrication autre. Balais neufs.	Serrer les capuchons pour assurer un meilleur contact. Remplacer les balais ou l'armature. Utiliser des balais RIDGID. Laisser tourner l'appareil pendant 15 minutes en marche avant, puis en marche arrière.
La tête de filetage n'entame pas le tuyau.	Tête de filière mal équerré sur l'extrémité du tuyau. Appui non centré sur la tête de filière. Extrémité du tuyau en faux équerre. Filières émoussées ou endommagées. Sens de rotation de l'appareil inversé. Mauvais alignement des filières dans la tête de filière.	Appuyer sur la tête de filière pour entamer le filetage. Centrer l'appui sur l'axe du tuyau. Couper l'extrémité du tuyau d'équerre. Remplacer les filières. Faire tourner l'appareil dans les sens nécessaire. Vérifier que les filières sont orientées vers l'extérieur et contre les tenons du couvercle.
Filets déchirés.	Filières endommagées, ébréchées ou usées. Huile de coupe inappropriée ou manquante. Filières inadaptées au type métal utilisé. Tuyau de mauvaise qualité.	Remplacer les filières. Utiliser de l'huile de coupe RIDGID® en quantité suffisante. Utiliser des filières acier rapides pour inox ou alliages compatibles. Utiliser des tuyaux de meilleure qualité.
Filets ovalisés ou écrasés.	Parois de tuyau trop minces.	Utiliser des tuyaux d'une épaisseur minimale de Schedule 40.
Le dispositif de support dérape en cours de filetage.	Encrassement des mâchoires du support. Bras de support mal aligné. Bras de support insuffisamment serré.	Nettoyer à l'aide d'une brosse métallique. Equerrer le bras de support sur le tuyau. Serrer la vis de blocage.
Filetages trop fins.	Filières non installées dans l'ordre.	Réinstaller les filières dans l'ordre approprié.

Accionamiento motorizado

700



ADVERTENCIA

Antes de utilizar este aparato, lea detenidamente su Manual del Operario. Pueden ocurrir descargas eléctricas, incendios y/o lesiones personales graves si no se entienden y siguen las instrucciones de este manual.

Accionamiento motorizado 700

Apunte aquí y guarde el número de serie del producto; se encuentra en su placa de características.

No. de
serie

--	--


Índice de materias


Formulario de registro para el número de serie del aparato	27
Simbología de seguridad	29
Información de seguridad general para máquinas eléctricas	
Seguridad en la zona de trabajo	29
Seguridad eléctrica	29
Seguridad personal	30
Uso y cuidado de las máquinas eléctricas	30
Servicio	31
Advertencias de seguridad específica	
Advertencias de seguridad del accionamiento motorizado	31
Descripción, especificaciones y equipo estándar	
Descripción	32
Especificaciones	32
Equipo estándar	32
Inspección previa a la operación	33
Puesta en marcha y operación	34
Montaje del cabezal roscadorMontaje del cabezal roscador	34
Resistencia a las fuerzas de roscado	35
Roscado	36
Inspección de roscas	37
Otros usos del accionamiento motorizado 700	38
Instrucciones de mantenimiento	
Limpieza	38
Lubricación	38
Reemplazo de terrajas en cabezales roscadores 12-R	38
Reemplazo de escobillas en el motor	39
Equipo opcional	39
Almacenamiento de la máquina	39
Servicio y reparaciones	40
Información sobre el aceite de corte	40
Eliminación de la máquina	40
Resolución de problemas	41
Declaración de conformidad de la Unión Europea	Interior de la carátula posterior
Garantía de por vida	Carátula posterior


*Traducción del manual original


Simbología de seguridad


En este manual del operario y en el producto mismo encontrará símbolos y palabras de advertencia que comunican importante información de seguridad. Para su mejor comprensión, en esta sección se describe el significado de estas palabras y símbolos de advertencia.


 Este es el símbolo de una alerta de seguridad. Sirve para prevenir al operario de las lesiones corporales que podría sufrir. Obedezca todas las instrucciones de seguridad que acompañan a este símbolo para evitar posibles lesiones o muerte.


 **PELIGRO** Este símbolo de PELIGRO advierte de una situación de riesgo o peligro que, si no se evita, podría producir la muerte o lesiones graves.


 **ADVERTENCIA** Este símbolo de ADVERTENCIA avisa de una situación de riesgo o peligro que, si no se evita, podría producir la muerte o lesiones graves.


 **CUIDADO** Este símbolo de CUIDADO advierte de una situación de riesgo o peligro que, si no se evita, podría producir lesiones leves o moderadas.


 **AVISO** Un AVISO indica información relacionada con la protección de un bien o propiedad.


 Este símbolo significa que es necesario leer detenidamente su manual del operario antes de usar el equipo. El manual del operario contiene información importante acerca del funcionamiento apropiado y seguro del equipo.


 Este símbolo indica que cuando maneje o utilice este aparato siempre debe usar gafas o anteojos de seguridad con viseras laterales, con el fin de evitar lesiones a los ojos.

 Este símbolo indica que existe el riesgo de que los dedos, manos, ropa y otros objetos se enganchen o se pellizquen en los engranajes u otras piezas giratorias de la máquina y se produzcan lesiones por aplastamiento.


 Este símbolo advierte del peligro de descargas eléctricas.

 Este símbolo indica que la máquina puede volcarse y causar lesiones por aplastamiento o golpes.

 Este símbolo indica que el operario no debe usar guantes mientras hace funcionar esta máquina, puesto que podrían engancharse.

 Este símbolo indica que siempre debe usar un soporte para ayudar a resistir las fuerzas de roscado, mejorar el control y reducir el riesgo de lesiones.

Información de seguridad general para máquinas eléctricas *

 **ADVERTENCIA**
Lea todas las instrucciones y advertencias de seguridad. Si no se siguen todas las siguientes instrucciones, podrían producirse descargas eléctricas, incendios y/o lesiones graves.

¡GUARDE TODAS LAS ADVERTENCIAS E INSTRUCCIONES PARA SU POSTERIOR CONSULTA!

El término “máquina eléctrica” en las advertencias se refiere a la herramienta de trabajo que funciona ya sea enchufada a un tomacorriente (con cordón) o con baterías (sin cordón).

Seguridad en la zona de trabajo

- **Mantenga su zona de trabajo limpia y bien iluminada.** Los lugares desordenados u oscuros pueden provocar accidentes.
- **No haga funcionar máquinas eléctricas en ambientes explosivos, es decir, en presencia de líquidos,**

gases o polvo inflamables. Las máquinas eléctricas pueden generar chispas que podrían encender los gases o el polvo.

- **Mientras haga funcionar una máquina eléctrica, mantenga alejados a los niños y espectadores.** Cualquier distracción podría hacerle perder el control del aparato.

Seguridad eléctrica

- **El enchufe de la máquina eléctrica debe corresponder al tomacorriente. Jamás modifique el enchufe del aparato. No utilice un enchufe adaptador cuando haga funcionar una máquina eléctrica provista de conexión a tierra. Las máquinas eléctricas con conexión a tierra se deben enchufar en un tomacorriente que esté bien instalado y conectado a tierra de acuerdo con todos los códigos y reglamentos. Nunca quite la clavija de conexión a tierra ni modifique el enchufe de manera alguna. Si tiene alguna duda acerca de la correcta conexión a tierra del tomacorriente, consulte a un electricista calificado.** Los enchufes

* El texto utilizado en la sección sobre Advertencias de seguridad general para máquinas eléctricas se ha copiado textualmente de la correspondiente norma UL/CSA 62841-1 edición estándar, como se exige. Esta sección contiene indicaciones de seguridad general para diversos tipos de máquinas eléctricas. No todas las precauciones corresponden a cada aparato, y algunas no corresponden a este accionamiento motorizado.

intactos y tomacorrientes que les corresponden reducen el riesgo de choques de electricidad.

- **Evite el contacto de su cuerpo con artefactos conectados a tierra tales como cañerías, radiadores, estufas o cocinas, y refrigeradores.** Aumenta el riesgo de choques de electricidad si su cuerpo ofrece conducción a tierra.
- **No esponga las máquinas eléctricas a la lluvia ni permita que se mojen.** Cuando a una máquina eléctrica le entra agua, aumenta el riesgo de choques de electricidad.
- **No maltrate el cordón eléctrico del aparato. Nunca transporte el aparato tomándolo de su cordón eléctrico ni jale del cordón para desenchufarlo del tomacorriente. Mantenga el cordón alejado del calor, aceite, bordes cortantes o piezas móviles.** Un cordón dañado aumenta el riesgo de choques de electricidad.
- **Al hacer funcionar una máquina eléctrica a la intemperie, emplee un cordón de extensión fabricado para uso exterior y marcado “W-A” o “W”.** Estos cordones de extensión están clasificados para su empleo al aire libre y reducir el riesgo de choques de electricidad.
- **Si resulta inevitable el empleo de una máquina eléctrica en un sitio húmedo, enchúfela en un tomacorriente GFCI (dotado de un Interruptor del Circuito de Pérdida a Tierra).** El interruptor GFCI reduce el riesgo de choques de electricidad.

Seguridad personal

- **Manténgase alerta, preste atención a lo que está haciendo y use el sentido común cuando haga funcionar una máquina eléctrica. No use máquinas eléctricas si usted está cansado o se encuentra bajo la influencia de drogas, alcohol o medicamentos.** Tan solo un breve descuido durante el funcionamiento de una máquina eléctrica puede resultar en lesiones graves.
- **Use equipo de protección personal. Siempre use protección para los ojos.** Según corresponda para cada situación, colóquese equipo de protección como mascarilla para el polvo, calzado de seguridad antideslizante, casco o protección para los oídos, con el fin de reducir las lesiones personales.
- **Evite echar a andar un aparato sin querer. Asegure que el interruptor de la máquina se encuentre en la posición OFF (apagado) antes de enchufar el aparato a la corriente eléctrica o de conectarlo a sus baterías, de tomarlo o acarrearlo.** Se producen

accidentes cuando se transportan máquinas eléctricas con el dedo puesto en el interruptor, o se las enchufa o conecta a la fuente de corriente con el interruptor en la posición de encendido (ON).

- **Extraiga cualquier llave que esté acoplada a la máquina eléctrica antes de encenderla.** Una llave acoplada a una pieza o parte giratoria de la máquina eléctrica puede producir lesiones personales.
- **No trate de extender el cuerpo para alcanzar algo. Tenga los pies bien plantados y mantenga el equilibrio en todo momento.** Esto permite un mejor control de la máquina eléctrica en situaciones inesperadas.
- **Vístase adecuadamente. No lleve ropa suelta ni joyas. Mantenga su cabello y ropa apartados de las piezas en movimiento.** La ropa suelta, las joyas o el pelo largo pueden engancharse en las piezas móviles.
- **Si se proveen dispositivos para la extracción y recolección del polvo cuando se usa el aparato, conéctelos y empléelos correctamente.** El uso de aparatos recolectores de polvo reduce los problemas generados por el polvo.

Uso y cuidado de las máquinas eléctricas

- **No fuerce la máquina eléctrica. Use el equipo correcto para la tarea que está por realizar.** Con la máquina eléctrica adecuada se hará mejor el trabajo y en forma más segura en la clasificación nominal para la cual fue diseñada.
- **Si el interruptor de la máquina eléctrica no lo enmontaje del cabezal roscadorciende (ON) o no lo apaga (OFF), no utilice el aparato.** Cualquier máquina eléctrica que no se pueda controlar mediante su interruptor es un peligro y debe repararse.
- **Antes de hacer ajustes, cambiar accesorios o de almacenar la máquina eléctrica, desenchúfela y/o extraígale las baterías.** Estas medidas de seguridad preventiva reducen el riesgo de poner la máquina eléctrica en marcha involuntariamente.
- **Almacene las máquinas eléctricas que no estén en uso fuera del alcance de los niños y no permita que las hagan funcionar personas que no estén familiarizadas con el aparato o no hayan leído estas instrucciones de operación.** Las máquinas eléctricas que estén en manos de personas no capacitadas son peligrosas.
- **Haga la mantención necesaria de las máquinas eléctricas. Revise el equipo para verificar que las piezas móviles no estén mal alineadas o agarrotadas. Verifique que no tenga partes quebradas ni presente alguna otra condición que podría afectar**

su funcionamiento. Si una máquina eléctrica está dañada, hágala reparar antes de utilizarla. Muchos accidentes se deben a máquinas eléctricas que no han recibido un mantenimiento adecuado.

- **Mantenga las hojas y fillos de corte afilados y limpios.** Las herramientas para cortar provistas de fillos afilados son menos propensas a trabarse y son más fáciles de controlar.
- **Utilice la máquina eléctrica, accesorios y barrenas, etc., únicamente conforme a estas instrucciones, tomando en cuenta las condiciones de trabajo y la tarea que debe realizar.** El uso de la máquina eléctrica para trabajos diferentes a los que le corresponden podría producir una situación peligrosa.

Servicio

- **Encomiende el servicio de la máquina eléctrica únicamente a técnicos calificados que usen repuestos idénticos a las piezas originales.** Así se garantiza la continua seguridad de la máquina eléctrica.

Información de seguridad específica

⚠ ADVERTENCIA

Esta sección contiene información de seguridad importante que es específica para esta herramienta.

Antes de utilizar el accionamiento motorizado 700, lea estas instrucciones detenidamente para reducir el riesgo de choque de electricidad o de lesiones graves por golpes, aplastamiento u otras causas.

¡GUARDE TODAS LAS ADVERTENCIAS E INSTRUCCIONES PARA SU POSTERIOR CONSULTA!

Mantenga este manual junto con la máquina, para que lo use el operario.

Seguridad del accionamiento motorizado

- **Siga las instrucciones para usar esta máquina como es debido.** Antes de usar el accionamiento motorizado, lea y entienda las instrucciones y advertencias para todos los equipos y materiales usados. Si no sigue todas las advertencias e instrucciones, podría producirse daño a la propiedad y/o lesiones graves.
- **Cuando rosque tubos de 1 pulgada (25 mm) o de mayor diámetro, utilice un soporte para resistir las fuerzas de roscado.** Use un soporte apropiado según estas instrucciones. Los soportes mejoran el control y reducen el riesgo de producir lesiones por golpes, aplastamiento u otras causas.
- **Cuando use un soporte que no sea el brazo de soporte, el aparato de soporte debe oponerse a la caja del motor.** Si el soporte está apoyado contra otras partes, podrían dañarse las partes de la máquina o aumentar el riesgo de lesiones.
- **Siempre agarre el accionamiento motorizado firmemente cuando rosque un tubo o cuando retire el cabezal roscador del tubo mediante el retroceso, para resistir las fuerzas de roscado, aunque esté utilizando un soporte.** Esto reduce el riesgo de lesiones por golpes, aplastamiento u otras causas.
- **No use este accionamiento motorizado si está averiado el botón interruptor.** Este interruptor es un dispositivo de seguridad que le permite apagar el motor al soltar el interruptor.
- **No use guantes ni ropa suelta cuando haga funcionar máquinas.** Mantenga abotonadas las chaquetas y las mangas. No estire el brazo por encima de la máquina ni de un tubo. La máquina o el tubo pueden enganchar la ropa y enmarañarla.
- **Un solo operario debe controlar el proceso de trabajo y el funcionamiento de la máquina.** Nadie más debe estar en la zona de trabajo cuando la máquina esté en marcha. Esto ayuda a evitar lesiones.
- **No use terrajas dañadas o que no estén afiladas.** Las herramientas cortantes bien afiladas exigen un menor par de torsión y facilitan el control del accionamiento motorizado.
- **Mantenga los mangos secos y limpios, exentos de aceite y lubricantes.** Esto permite un mejor control de la máquina.
- **Mantenga el piso seco y exento de materiales resbalosos tales como el aceite.** Los pisos resbalados Montaje del cabezal roscador/ladizos provocan accidentes.
- **Utilice solamente cabezales roscadores RIDGID con el accionamiento motorizado 700 de RIDGID.** Otros cabezales roscadores podrían no ajustarse bien al accionamiento motorizado, lo cual aumenta el riesgo de dañar la máquina y causar lesiones personales.
- **Cuando use el accionamiento motorizado para aplicaciones diferentes a las descritas en este manual, use un soporte para resistir las fuerzas sobre el mango.** Los soportes mejoran el control y reducen el riesgo de lesiones por golpes, aplastamiento u otras causas.

Si tiene alguna pregunta acerca de este producto RIDGID®:

- Comuníquese con el distribuidor RIDGID® en su localidad.
- Visite RIDGID.com para averiguar dónde se encuentra el centro autorizado de RIDGID más cercano.
- Comuníquese con el Departamento de Servicio Técnico de Ridge Tool en rctechservices@emerson.com, o llame por teléfono desde EE. UU. o Canadá al (800) 519-3456.

Descripción, especificaciones y equipo estándar

Descripción

El accionamiento motorizado Modelo 700 de RIDGID® está diseñado para suministrar potencia para roscar tubos y tuberías para conductores. La rotación hacia adelante (avance) o en reversa (retroceso) se puede seleccionar con un interruptor corredizo de dos posiciones.

El accionamiento motorizado está diseñado para usar cabezales roscadores encajables 12-R, para tubos de 1/8" a 2". Se exige un adaptador para usar el accionamiento motorizado con otros cabezales RIDGID tales como el 00-R y el 11-R.

Cuando rosque tubos de 1 pulgada de diámetro o más, se exige un dispositivo de soporte para resistir las fuerzas de roscado. Estos soportes incluyen el brazo de soporte No. 775 o una llave inglesa RIDGID de 14 pulgadas para trabajo pesado.

El accionamiento motorizado también se puede usar para impulsar el cortatubos 258 de RIDGID y otras aplicaciones. (Vea "Otros usos".)

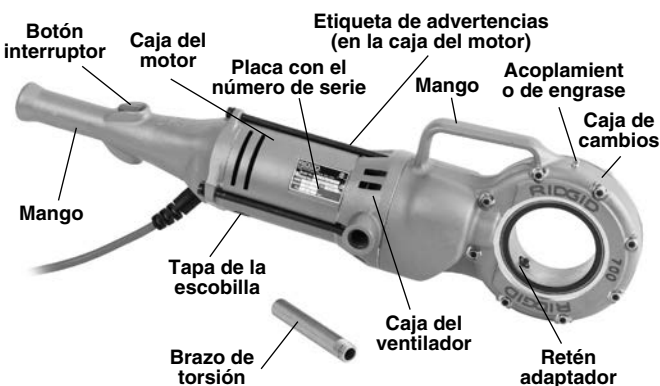


Figura 1 – Accionamiento motorizado Modelo 700

Especificaciones

Diámetro de tubos

a roscarTubos de 1/8" a 2" (3 a 50 mm)
 Pernos de 1/4" a 1" (6 a 25 mm)
 con el cabezal 00-RB

Motor*:

Tipo	Universal, reversible		
Voltaje	110	120	220-240
Amperaje	13,5	13,5	6,5
Frecuencia en Hz	50/60	50/60	50/60
Potencia	1500	1500	1500

Velocidad de

funcionamiento.....26 a 30 RPM, sin carga

Controles.....Interruptor reversible de avance-retroceso con retorno automático a la posición de apagado (OFF).

Cabezal

de engranajesDe aluminio fundido, impulsor de engranajes con reductor de tornillo sin fin, retenes adaptadores a resorte, huso de engranajes de acero templado.

Dimensiones:

Longitud.....	28¼" (717 mm)
Ancho	6 1/16" (154 mm)
Altura	7 13/16" (198 mm)
Peso	25 libras (11 kg)
Presión de sonido (LPA)**	98,4 dB(A), K=3
Potencia de sonido (LWA)**	107 dB(A), K=3
Vibración**	2,5 m/s ² , K=1,5

* Consulte la placa con el número de serie de la máquina para obtener información sobre el motor de su máquina individual. Se dispone de otras versiones.

** Las determinaciones de sonido y vibración se miden según una prueba estándar conforme a la Norma EN 62481-1.

- Los niveles de vibración se pueden comparar con otras herramientas y se pueden usar para una evaluación preliminar de la exposición.
- Las emisiones de sonido y vibración pueden variar según dónde se ubique el usuario y el uso específico de estos aparatos.
- La exposición diaria al sonido y a la vibración se debe evaluar para cada aplicación y se deben tomar las correspondientes medidas de seguridad cuando sea necesario. La evaluación de los niveles de exposición debe tomar en cuenta el tiempo durante el cual está apagada la herramienta y el tiempo en que no se usa. Esto puede reducir el nivel de exposición significativamente durante todo el transcurso del período de trabajo.

Equipo estándar

El accionamiento motorizado 700 se suministra con:

- Accionamiento motorizado 700
- Brazo de torsión
- Soporte
- Manual del operario

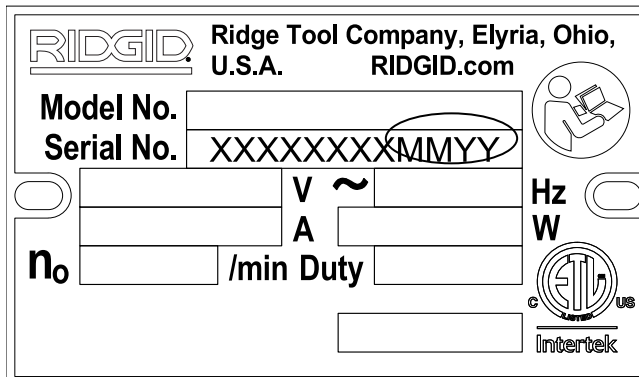


Figura 2 – Número de serie de la máquina

La placa con el número de serie del accionamiento motorizado 700 se encuentra en la base de la caja del motor. Los últimos cuatro dígitos indican el mes y el año de fabricación (MM = mes, YY = año).

AVISO La selección apropiada de los materiales y del método de instalación, unión o formado es responsabilidad del diseñador y/o del instalador del sistema. La selección de materiales o métodos que no son apropiados podría causar una falla del sistema.

El acero inoxidable y otros materiales resistentes a la corrosión se podrían contaminar durante la instalación, unión o formado. Esta contaminación podría causar corrosión y fallas prematuras. Antes de comenzar una instalación se requiere efectuar una minuciosa evaluación de los materiales y métodos usados para las condiciones específicas del servicio, incluyendo las condiciones químicas y la temperatura.

Inspección previa a la operación

⚠ ADVERTENCIA



Cada vez que use el accionamiento motorizado 700, hágale una inspección y corrija cualquier problema, para reducir el riesgo de lesiones graves producidas por choque de electricidad, aplastamiento y otras causas, y para proteger la máquina contra daños.

1. Asegure que el accionamiento motorizado esté desenchufado.
2. Limpie el aceite, grasa y suciedad presentes en el accionamiento motorizado y el soporte, incluyendo los mangos y controles. Esto facilita su inspección y ayuda a evitar que la máquina o los controles se resbalen de sus manos.
3. Inspeccione el accionamiento motorizado para verificar lo siguiente:

- El cordón y el enchufe no están dañados ni se han modificado.
- Está bien ensamblado, bien mantenido y completo.
- No hay piezas dañadas, mal alineadas o enredadas.
- El interruptor funciona bien. Confirme que pasa fácilmente de una posición a otra y que no se trava.
- La etiqueta de advertencias está presente y legible (Figura 3).
- No existe ninguna condición que impida su funcionamiento seguro y normal.

Si se encuentra algún problema, no utilice el accionamiento motorizado ni el dispositivo de soporte hasta que se hayan reparado las fallas.

4. Inspeccione el brazo de soporte. Asegure que los dientes de agarre estén limpios y en buenas condiciones. Puede limpiar los dientes con una escobilla de alambre.
 5. Inspeccione los bordes cortantes de las terrajas para verificar que no estén desgastados, deformados, desportillados o que presenten otros problemas. Los dispositivos de corte desafilados o dañados exigen mayor fuerza para funcionar, producen roscas de mala calidad y aumentan el riesgo de lesiones.
 6. Revise cualquier otro equipo que se use y hágale mantenimiento conforme a sus instrucciones para asegurar su buen funcionamiento.
 7. Después de seguir las instrucciones de *Puesta en marcha y operación*, revise el accionamiento motorizado para asegurar que funcione bien.
 - Oprima y suelte el interruptor para la rotación de avance (FORWARD) y oprima y suelte para la rotación de retroceso (REVERSE), como se muestra en la Figura 3. Confirme que el accionamiento motorizado gira como se muestra en la Figura 3 y que el interruptor controla el funcionamiento de la máquina.

Permita que el accionamiento motorizado se detenga por completo antes de invertir la rotación mediante el botón interruptor. Esto reduce el riesgo de dañar el accionamiento motorizado.
 - Oprima el botón interruptor y manténgalo oprimido. Inspeccione las partes móviles para verificar que no estén mal alineadas o trabadas, que no emitan ruidos raros y presenten ninguna otra condición anormal. Suelte el interruptor.
- Si la máquina no funciona correctamente o si encuentra alguna condición extraña, no use la máquina hasta que la haga reparar.

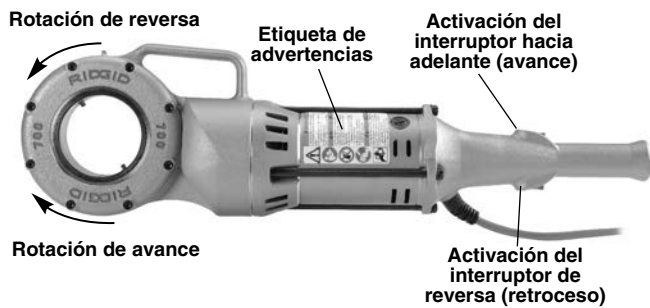


Figura 3 – Posición del interruptor para seleccionar el sentido de la rotación

8. Suelte el botón interruptor y con las manos secas desenchufe la máquina.

Puesta en marcha y operación

⚠ ADVERTENCIA



Instale y haga funcionar el accionamiento motorizado 700 de acuerdo con estos procedimientos, para reducir el riesgo de lesiones causadas por choque de electricidad, enmarañamientos, golpes, aplastamiento y otras causas, y para proteger el accionamiento motorizado contra daños.

Cuando haga el roscado de tubos de 1" (25 mm) o mayor diámetro, use un soporte para oponer resistencia a las fuerzas de roscado. Use un soporte adecuado conforme a estas instrucciones. Los soportes mejoran el control y reducen el riesgo de lesiones por golpes, aplastamiento u otras causas.

Siempre agarre el accionamiento motorizado firmemente cuando rosque un tubo o cuando aleje el cabezal roscador del tubo, para resistir las fuerzas de roscado, aunque esté utilizando un soporte. Esto reduce el riesgo de lesiones por golpes, aplastamiento u otras causas.

Mantenga el tubo bien apoyado. Esto reduce el riesgo de que el tubo se caiga, se vuelque y se produzcan lesiones graves.

No use un accionamiento motorizado si no tiene un botón interruptor que funcione bien.

No use guantes ni ropa suelta cuando haga funcionar máquinas. Mantenga abotonadas las chaquetas y las mangas. No estire el brazo por encima de la máquina ni de un tubo. La ropa se puede enganchar en las piezas giratorias y enmarañarlo.

Una sola persona debe controlar el trabajo y el botón interruptor. No debe operarse con más de una sola persona. Si se produce un enganche, el operario debe ser capaz de controlar el interruptor.

- Revise la zona de trabajo para verificar lo siguiente:
 - Hay suficiente luz.
 - No hay líquidos, gases ni polvo que puedan incendiarse. Si éstos están presentes, no trabaje en ese lugar hasta que identifique y corrija estos problemas. Los accionamientos motorizados no son a prueba de explosiones y pueden generar chispas.
 - El lugar para el operario y todos los equipos está despejado, nivelado y seco, y es estable.
 - Hay buena ventilación. No use el aparato durante períodos prolongados en lugares encerrados pequeños.
 - Hay un tomacorriente del voltaje apropiado y con el cableado correcto. Si tiene alguna duda, pida a un electricista acreditado que inspeccione el tomacorriente.
 - Hay una senda despejada entre la máquina y el tomacorriente, donde no hay nada que podría dañar el cable.
- Inspeccione el tubo que va a roscar y los acoplamientos correspondientes, para confirmar que el accionamiento motorizado 700 es la máquina apropiada para la tarea. *Vea las Especificaciones.*

Puede encontrar máquinas para otras aplicaciones en el catálogo de Ridge Tool, en línea en RIDGID.com o llame al Departamento de Servicio Técnico de Ridge Tool al 800-519-3456 desde EE. UU. o Canadá.
- Asegure que se hayan inspeccionado correctamente los aparatos que usará.
- Prepare el tubo adecuadamente, según sea necesario. Asegure que el corte del tubo sea recto y que esté desbarbado. Los tubos cortados en ángulo pueden dañar las terrajas durante el roscado o dificultar la conexión con el cabezal roscador.
- Asegure que el tubo que desea roscar esté en posición estable y fija para impedir que se vuelque durante el roscado. Use soportatubos adecuados para apoyar los tubos largos.
- Revise el nivel de aceite de corte RIDGID en la aceitera 418 de RIDGID. Extraiga la bandeja de virutas y confirme que la malla del filtro esté limpia y completamente sumergida en el aceite. Reponga el aceite o agregue más aceite si fuera necesario. Coloque el cubo aceitero debajo del extremo del tubo que se va a roscar.

Montaje del cabezal roscador

- Asegure que el accionamiento motorizado esté desenchufado.

- Empuje el cabezal 12-R o el adaptador (*vea Equipo opcional*), con el extremo ranurado hacia adelante, rectamente en el accionamiento motorizado hasta que los retenes a resorte agarren la ranura (*Figura 4*). El cabezal roscador o el adaptador se pueden encajar por cualquiera de los dos lados del accionamiento motorizado. En algunos casos es necesario hacer girar el cabezal o el adaptador para que el retén quede encajado. Para los adaptadores 770 y 773, es necesario instalar el cabezal roscador en el adaptador antes de la colocación en el accionamiento motorizado.
- Para extraer el cabezal roscador, debe jalarlo rectamente del accionamiento motorizado. Si resulta necesario, use un martillo de maza blanda o un bloque de madera para sacar a golpecitos el cabezal roscador. No golpee directamente sobre el cabezal roscador porque podría dañarlo.



Figura 4 – Montaje del cabezal roscador en el accionamiento motorizado 700

Resistencia a las fuerzas de roscado (dispositivos de soporte)

Para el roscado a mano derecha, el cabezal roscador gira a la derecha (en el sentido de las manecillas del reloj si se está mirando el frente del cabezal roscador). Las fuerzas originadas por el par de torsión del roscado tienen una dirección opuesta, o sea, hacia la izquierda. Para el roscado a mano izquierda, cambian de sentido la rotación del cabezal y las fuerzas de roscado. Asegure que el soporte esté montado de manera que pueda absorber y oponer resistencia apropiadamente a las fuerzas de roscado.

Uso del brazo de soporte No. 775:

- El gancho del brazo de soporte se puede montar en cualquiera de los dos lados. Apriete bien el perno de bisagra.
- Coloque el brazo de soporte sobre el tubo de manera que el extremo del brazo de soporte esté alineado con el extremo del tubo y para que el accionamiento

motorizado 700 esté ligeramente más arriba que la línea horizontal (*Figuras 5 y 6*). Esto asegura que el brazo de soporte esté en la posición correcta para el roscado e impide que el aceite de roscado penetre en el accionamiento motorizado.

- Asegure que las mordazas del brazo de soporte estén alineadas a escuadra con el tubo. Apriete bien el brazo de soporte.

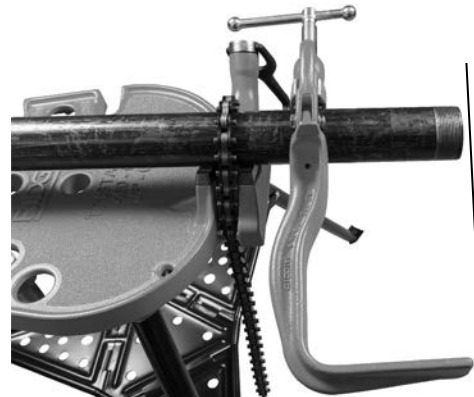


Figura 5 – Brazo de soporte alineado con el extremo del tubo



Figura 6 – Brazo de soporte con el accionamiento motorizado 700 colocado ligeramente encima de la línea horizontal

Uso de una llave inglesa RIDGID de 12", 14" o 18", de trabajo pesado:

- Instale el brazo de torsión para fijarlo a la caja del ventilador del accionamiento motorizado 700. También se puede usar un pedazo de tubo de acero de espesor 80 y de 5" (127 mm) de longitud y ½" de diámetro, con una rosca NPT de ½".
- Coloque la llave inglesa RIDGID de 12", 14" o 18", de trabajo pesado, a unas 7" (175 mm) del extremo del tubo (*vea la Figura 7*). Pruebe para confirmar que la llave inglesa está fija y que no se pueda mover ni caer.

3. Cuando inicie la rosca, el brazo de torsión se asentará sobre el mango de la llave inglesa.

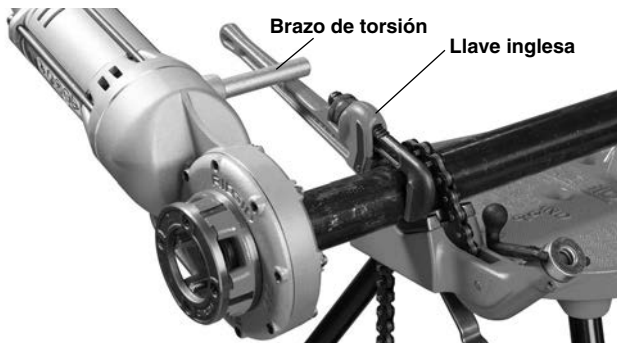


Figura 7 – Uso de una llave inglesa como brazo de soporte para el roscado

Otros métodos de soporte:

Coloque la caja del motor del accionamiento motorizado (vea la Figura 1) contra un elemento estructural adyacente. Por ejemplo, puede usar muros, vigas y viguetas de techo. Para hacer esto, el tubo y sus alrededores tienen que ser capaces de soportar el peso de la máquina y las fuerzas de roscado. Podría ser necesario agregar soportes o elementos estructurales temporarios o permanentes para resistir las fuerzas de roscado.

Para tubos de un diámetro de 3/4" o menor:

Los tubos de diámetro nominal de 3/4 de pulgada o menos se pueden roscar sin usar un soporte. En este caso, el mismo operario opone resistencia a las fuerzas de roscado. Debe fijarse el tubo apropiadamente para impedir su rotación. Siempre agarre firmemente el accionamiento motorizado cuando haga el roscado o cuando haga el retroceso del cabezal para quitarlo del tubo, con el fin de resistir las fuerzas. Esto reduce el riesgo de lesiones por golpes, aplastamiento u otras causas.

Roscado

1. Con las manos secas, enchufe el accionamiento motorizado.
2. Coloque el cabezal roscador sobre el extremo del tubo y apoye el accionamiento motorizado según se indica en la sección *Resistencia a las fuerzas de roscado*. Siempre mantenga el accionamiento motorizado contra el dispositivo de soporte. No coloque ninguna cosa entre el accionamiento motorizado y el soporte, ya que esto aumenta el riesgo de lesiones por pellizcamiento o aplastamiento.
3. Adopte una correcta posición de trabajo para ayudar a mantener el control de la máquina (vea la Figura 9):

- Asegure que tenga buen equilibrio y que no tenga que estirar el cuerpo.
- Asegure que pueda controlar el botón interruptor y la máquina. Todavía no presione el botón. En caso de emergencia, debe ser capaz de soltar el botón interruptor.

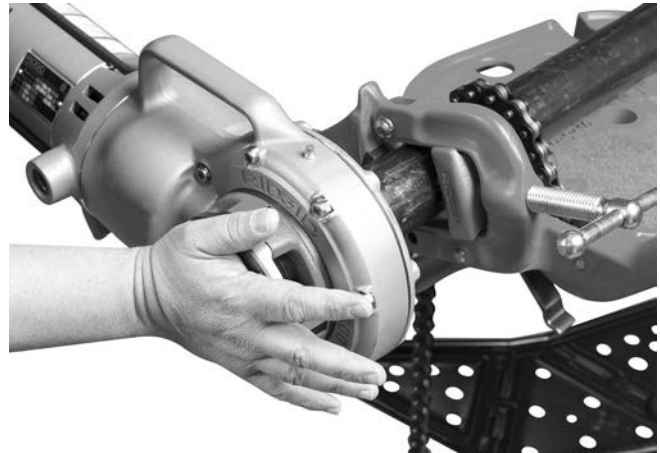


Figura 8 – Inicio del roscado

4. Al mismo tiempo, active el botón interruptor (vea la Figura 3) y empuje contra la tapa del cabezal roscador con la palma de la mano contraria, para iniciar el roscado (Figura 8). No use guantes ni joyas, y no use un paño mientras presiona la tapa del cabezal. Esto aumenta el riesgo de enmarañarse y sufrir una lesión. Una vez que las terrajas hagan contacto con el tubo, se van cortando las roscas a medida que las terrajas se incrustan en el extremo del tubo.

Siempre agarre el mango del cabezal roscador con firmeza, para resistir las fuerzas transmitidas por el mango. Los soportes se pueden resbalar y permitir el desplazamiento del accionamiento motorizado. Puede soltar el botón interruptor en cualquier momento para apagar (OFF) el accionamiento motorizado.



Figura 9 – Roscado de un tubo

5. Deje de empujar la tapa del cabezal y use una aceitera para aplicar una cantidad abundante de aceite de corte RIDGID a la zona roscada. Esto reduce el par de torsión del roscado, mejora la calidad de las roscas y prolonga la vida útil de las terrajas.
6. Oprima el interruptor hasta que el extremo del tubo esté al ras con el borde de las terrajas (Figura 10). Manténgase atento para que el accionamiento motorizado no choque contra el dispositivo de soporte. Suelte el botón interruptor. Permita que el accionamiento motorizado se detenga por completo.

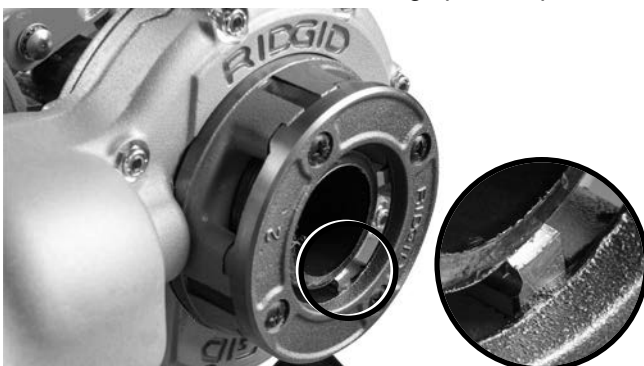


Figura 10 – El extremo del tubo está al ras con el borde de las terrajas

7. Coloque el botón interruptor en posición de retroceso para retraer el cabezal roscador del tubo roscado. Agarre con firmeza el mango del accionamiento motorizado para resistir las fuerzas generadas al romper el extremo de la rosca y durante la retracción del cabezal roscador.
8. Suelte el interruptor y retire del tubo el accionamiento motorizado y el cabezal.
9. Con las manos secas, desenchufe el accionamiento motorizado.
10. Con un paño, limpie las roscas y el cabezal roscador para quitar el aceite y residuos. Procure no cortarse con los residuos o bordes filosos. Limpie cualquier derrame de aceite que haya en el lugar de trabajo.

Inspección de roscas

1. Quite el aceite, virutas o residuos de la rosca.
2. Haga la inspección visual de las roscas. Las roscas deben verse lisas, completas y bien formadas. Si se observan problemas tales como roscas rotas o delgadas, o el tubo está ovalado, es posible que la rosca no forme un sello hermético en una conexión. Consulte la tabla de “Resolución de problemas” para diagnosticar estas fallas.
3. Inspeccione el tamaño de la rosca. El método preferido para revisar el tamaño de la rosca es mediante un calibrador anular. Hay calibradores anulares de diversos estilos; su uso puede ser diferente a lo que se muestra en la Figura 11.
 - Enrosque el calibrador anular en la rosca y apriete la conexión con la mano.
 - Observe el extremo del tubo y vea cuánto se asoma más allá del calibrador anular. El extremo del tubo debe quedar al ras con el borde del calibrador, más/menos una vuelta. Si la rosca no mide lo que corresponde, corte el tubo para eliminar la rosca, ajuste el cabezal roscador y labre otra rosca. El uso de una rosca que no cumple con la medición correcta puede causar fugas.

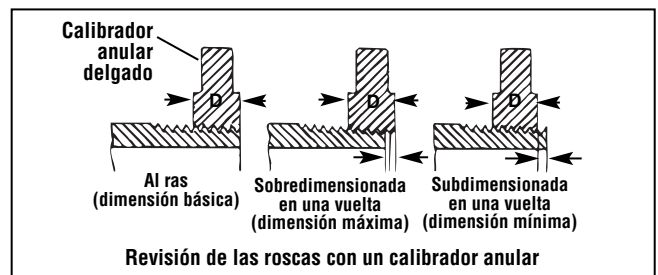


Figura 11 – Revisión del tamaño de la rosca

- Si no dispone de un calibrador anular para verificar el tamaño de la rosca, se puede usar en su lugar un acoplamiento limpio, nuevo y representativo de los que se están empleando en la obra. Para roscas NPT de 2 pulgadas o menos, el tubo debe labrarse para poder apretar la conexión con 4 a 5 vueltas a mano con el acoplamiento. Para roscas BSPT de 2 pulgadas o menos, la conexión se logra apretar con 3 vueltas a mano.

Otros usos del accionamiento motorizado 700

Este manual contiene instrucciones específicas para el uso del accionamiento motorizado 700 para roscar con diversos cabezales roscadores de RIDGID. Cuando se usa con otros aparatos RIDGID (como el cortatubos eléctrico 258/258XL de RIDGID), siga las instrucciones y advertencias suministradas con ese aparato RIDGID, para su correcto montaje y uso.

Si desea usar el accionamiento motorizado 700 para otros fines, cuidadosamente evalúe la tarea y prepárese a través de las pautas generales indicadas a continuación. El accionamiento motorizado 700 proporciona un elevado par de torsión y genera las correspondientes elevadas fuerzas sobre el mango, que podrían causar lesiones por golpes o aplastamiento.

- El adaptador cuadrado 774 de RIDGID se puede usar para adaptar el accionamiento motorizado 700 y transformarlo en un cuadrado macho de 15/16". Fije bien el adaptador para que no se desprenda durante su uso.
- Es necesario elaborar un método apropiado para tolerar las fuerzas sobre el mango (vea la sección *Resistencia a las fuerzas de roscado*). Las fuerzas pueden ser superiores a 1000 libras (455 kg). Se pueden colocar soportes contra la caja del motor o la caja del ventilador del accionamiento motorizado 700 (*Figura 1*).
- Siempre sostenga el accionamiento motorizado contra el soporte. No coloque ninguna parte del cuerpo entre el accionamiento motorizado y el soporte.
- Durante el uso, no debe haber ningún movimiento independiente del accionamiento motorizado y el dispositivo de soporte.
- Confirme que la aplicación (tal como hacer funcionar una válvula) pueda girar libremente, no se traba y que se conoce el final de la carrera. Si el sistema se traba o se congela durante el uso, repentinamente aumentan mucho las fuerzas sobre el mango o el accionamiento motorizado podría empezar a rotar.
- Si está usando el accionamiento motorizado para abrir

o hacer funcionar válvulas u otros aparatos, siga todas las instrucciones del fabricante del equipo. No sobrecargue el equipo.

- Use el accionamiento motorizado 700 de manera que la fuerza de reacción se aleje del usuario.
- Suelte el botón interruptor en cualquier momento para apagar el accionamiento motorizado. Asegure que pueda soltar el botón interruptor.

Instrucciones de mantenimiento

⚠ ADVERTENCIA

Antes de cualquier tarea de mantenimiento o de hacer ajustes, asegure que el botón interruptor no esté oprimido y que esté desenchufado el accionamiento motorizado.

Haga la mantención de la máquina de acuerdo con estos procedimientos para reducir el riesgo de lesiones por choque de electricidad, enmarañamiento y otras causas.

Limpieza

1. Después de cada uso, vacíe la bandeja de virutas de la aceitera 418 y con un paño quite los residuos de aceite.
2. Con un paño, limpie el accionamiento motorizado, incluyendo los mangos y controles, para quitarles el aceite, grasa, virutas o suciedad.
3. Con un paño, limpie el brazo de soporte para quitarle el aceite, grasa o suciedad. Si fuera necesario, limpie las mordazas del brazo de soporte con una escobilla de alambre.
4. Elimine las virutas y suciedad del cabezal roscador.

Lubricación

Cada 3 a 6 meses, según el uso de la máquina, utilice una pistola aceitera para agregar grasa Lithium EP (Presión Extrema) a través de los acoplamientos de engrase en la caja de engranajes (*vea la Figura 1*).

Reemplazo de terrajas en cabezales roscadores 12-R

Se dispone de toda una gama de terrajas para su colocación en cabezales roscadores 12-R de RIDGID. *Vea su disponibilidad en el catálogo.*

1. Extraiga los cuatro tornillos (4), la tapa (2) y las terrajas (3) del cabezal roscador.
2. Inserte terrajas nuevas en las ranuras, con el extremo que tiene el número (1, 2, 3 y 4) orientado hacia

arriba. El número en cada terraja debe corresponder al número en la ranura para terrajas. Siempre reemplace el conjunto de terrajas completo.

3. Vuelva a colocar la tapa (2) y los tornillos (4) y apriete los tornillos sin que queden demasiado apretados.
4. Enrosque el extremo roscado de un tubo para que se enganche con las terrajas y comiencen a roscar. Esto fuerza el tope en las terrajas "B" hacia afuera contra la orejeta "A" en la tapa y fija correctamente el tamaño de la rosca.
5. Apriete bien los cuatro tornillos. Extraiga el tubo roscado y haga un roscado de prueba.

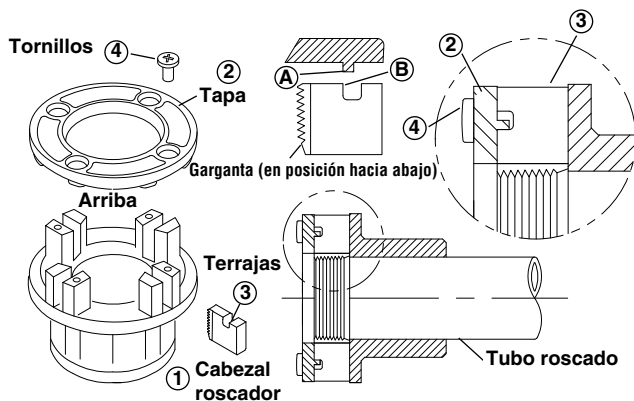


Figura 12 – Colocación de terrajas en el cabezal roscador

Reemplazo de escobillas en el motor

Revise las escobillas del motor cada 6 meses. Reemplace las escobillas cuando estén desgastadas a menos de ¼ pulgada (6 mm).



Figura 13 – Colocación de la escobilla

1. Desenchufe la máquina del tomacorriente.
2. Desatornille las tapas de las escobillas. Extraiga las escobillas e inspecciónelas. Reemplace las escobillas cuando estén desgastadas a menos de ¼ pulgada (6 mm). Inspeccione el conmutador para asegurar que

no esté desgastado. Si está muy desgastado, la máquina debe enviarse a servicio técnico.

3. Vuelva a montar las escobillas o instale escobillas nuevas.
4. Para asentar las escobillas nuevas en el conmutador, haga funcionar el motor sin carga durante 15 minutos en la posición de avance y luego durante 15 minutos en posición de retroceso sin carga, antes de utilizar la máquina.

Equipo opcional

⚠ ADVERTENCIA

Para reducir el riesgo de lesiones graves, use solamente equipos específicamente diseñados y recomendados para el accionamiento motorizado 700, tales como los que se nombran en la lista siguiente.

No. de catálogo	Descripción
42600	Adaptador 770 para 00-R (1/8" a 1") y 00-RB (1/4" a 1")
42605	Adaptador 771 para 0-R (1/8" a 1")
42610	Adaptador 772 para 11-R (1/8" a 1 ¼")
42615	Adaptador 773 para 111-R (1/8" a 1 ¼")
42620	Adaptador cuadrado 774, 15/16"
42625	Brazo de soporte 775
46615	Brazo de torsión
42950	Maletín de metal B-171-X
10883	Aceitera 418 con 1 galón de aceite de corte Premium Thread
41620	Grasa para el motor de engranajes

Puede encontrar información adicional sobre los equipos disponibles para el accionamiento motorizado 700 en el catálogo RIDGID y en línea en RIDGID.com.

Almacenamiento de la máquina

⚠ ADVERTENCIA Mantenga el accionamiento motorizado 700 bajo techo o bien tapado para protegerlo de la lluvia. Guarde la máquina en un lugar bajo llave que esté fuera del alcance de niños o personas que no estén familiarizadas con la máquina. Esta máquina puede causar graves lesiones en manos de usuarios no capacitados.

Servicio y reparaciones

⚠ ADVERTENCIA

La máquina se torna insegura cuando el servicio o la reparación se hacen en forma indebida.

Las Instrucciones de mantenimiento abarcan la mayoría de los servicios que necesita esta máquina. Cualquier

problema que no haya sido tratado en esta sección debe ser resuelto únicamente por un técnico autorizado de RIDGID.

La máquina debe llevarse a un Servicentro Autorizado Independiente de RIDGID o devuelta a la fábrica. Deben usarse solamente repuestos RIDGID.

Si necesita información sobre su Servicentro Autorizado Independiente de RIDGID más cercano o si tiene preguntas sobre el servicio o reparación:

- Comuníquese con el distribuidor RIDGID en su localidad.
- Visite RIDGID.com para averiguar dónde se encuentra el centro autorizado de RIDGID más cercano.
- Comuníquese con el Departamento de Servicio Técnico de Ridge Tool en rttechservices@emerson.com, o llame por teléfono desde EE. UU. o Canadá al (800) 519-3456.

Información sobre el aceite de corte

Lea y respete todas las instrucciones en la etiqueta del aceite de corte y en la Hoja de Seguridad (SDS). En el recipiente y la hoja SDS aparece información específica sobre los aceites de corte RIDGID, que incluye la identificación de peligros, primeros auxilios, actividades en caso de incendio, medidas en caso de derrame accidental, manejo y almacenamiento, equipo de protección personal, eliminación y transporte. La hoja SDS está disponible en RIDGID.com o puede solicitarla a través del Departamento de Servicio Técnico de Ridge Tool al (800) 519-3456 en EE. UU. y Canadá, o en rttechservices@emerson.com.

Eliminación de la máquina

Las piezas del accionamiento motorizado 700 contienen materiales valiosos y se pueden reciclar. Hay compañías locales que se especializan en el reciclaje. Deseche los componentes de acuerdo con todos los reglamentos correspondientes. Para más información sobre la eliminación de desechos, comuníquese con la agencia local de eliminación de residuos.



Para los países de la Comunidad Europea:
¡No deseche equipos eléctricos en la basura común!

De acuerdo con el Lineamiento Europeo 2012/19/EU para Desechos de Equipos Eléctricos y Electrónicos y su implementación en la legislación nacional, los equipos eléctricos inservibles deben desecharse por separado en una forma que cumpla con las normas del medio ambiente.

Resolución de problemas

PROBLEMA	POSIBLES RAZONES	SOLUCIÓN
La máquina no anda.	Las escobillas no están en contacto con el inducido.	Revise las escobillas. Reemplácelas si están desgastadas.
La máquina no es capaz de roscar.	Terrajas sin filo. Sobrecarga debido a roscas rotas u ovaladas. Aceite de corte de mala calidad o insuficiente. Voltaje insuficiente en la red.	Reemplace las terrajas. Vea las posibles razones a continuación. Use una cantidad suficiente de aceite de corte RIDGID. Revise el voltaje de la electricidad suministrada.
Chispas en el conmutador del motor.	Contacto insuficiente entre las escobillas y el conmutador. Las escobillas no tienen un contacto adecuado con el conmutador. Escobillas de otro fabricante. Escobillas nuevos.	Apriete las tapas de las escobillas para asegurar que las escobillas estén bien presionadas contra el conmutador. Reemplace las escobillas desgastadas y/o el inducido. Use solamente escobillas RIDGID. Haga andar el motor sin carga durante 15 minutos en posición de avance y 15 minutos en retroceso, para asentar las escobillas.
El cabezal roscador no inicia el roscado.	El cabezal roscador no está en ángulo recto con respecto al extremo del tubo. La fuerza para iniciar el contacto no se ejerce correctamente sobre el cabezal roscador. El extremo del tubo no está cortado en ángulo recto. Terrajas sin filo o desportilladas. La máquina está funcionando en sentido contrario. Las terrajas están mal encajadas en el cabezal roscador.	Presione sobre la tapa del cabezal roscador para iniciar el roscado. Aplique fuerza para iniciar el contacto contra la línea central del tubo. Corte el extremo del tubo en ángulo recto. Reemplace las terrajas. Haga funcionar la máquina en el sentido correcto. Asegure que las terrajas estén orientadas hacia afuera contra las orejetas de la tapa.
Roscas rotas.	Terrajas dañadas, desportilladas o desgastadas. Aceite de corte incorrecto o insuficiente. Terrajas que no son adecuadas para el material. Tubo de material o calidad deficientes.	Reemplace las terrajas. Use solamente aceite de corte RIDGID® en una cantidad suficiente. Seleccione terrajas de alta velocidad, de acero inoxidable o de aleación, que sean apropiadas para la tarea. Use un tubo de mejor calidad.
Roscas ovaladas o aplastadas.	Pared del tubo demasiado delgada.	Emplee tubos de espesor 40 o de pared más gruesa.
El soporte gira durante el roscado.	Las mordazas del brazo de soporte están sucias. El brazo de soporte no está bien alineado. El brazo de soporte no está apretado.	Limpie las mordazas con una escobilla de alambre. Coloque el brazo del soporte para que forme un ángulo recto con el tubo. Apriete el tornillo de mano.
Roscas delgadas.	Terrajas colocadas en el cabezal en orden equivocado.	Coloque las terrajas en las ranuras correctas en el cabezal roscador.

Kraftantrieb

700



⚠️ WARNUNG!

Lesen Sie diese Bedienungsanleitung vor dem Gebrauch des Geräts sorgfältig durch. Die Unkenntnis und Nichtbeachtung des Inhalts dieser Bedienungsanleitung kann zu Stromschlag, Brand und/oder schweren Verletzungen führen.

Kraftantrieb 700

Notieren Sie unten die Seriennummer und bewahren Sie diese auf. Sie finden die Produkt-Seriennummer auf dem Typenschild.

Seriell
Nr.

--	--

Inhaltsverzeichnis

Formular zum Festhalten der Geräteseriennummer	43
Sicherheitssymbole	45
Allgemeine Sicherheits- und Warnhinweise für Elektrowerkzeuge	45
Sicherheit im Arbeitsbereich	45
Elektrische Sicherheit	45
Sicherheit von Personen	46
Sachgemäßer Umgang mit Elektrowerkzeugen	46
Wartung	47
Spezifische Sicherheitsinstruktionen	47
Sicherheit des Kraftantriebs	47
Beschreibung, technische Daten und Standardausstattung	48
Beschreibung	48
Technische Daten	48
Standardausstattung	48
Inspektion vor der Benutzung	49
Vorbereitung und Betrieb	50
Einsetzen der Schneidköpfe	51
Widerstand gegen Gewindeschneidkräfte	51
Gewindeschneider	52
Überprüfung der Gewinde	53
Kraftantrieb 700 – Weitere Verwendungsmöglichkeiten	54
Wartungsanweisungen	54
Reinigung	54
Schmierung	55
Wechseln der Schneidbacken in 12-R Schneidköpfen	55
Ersetzen der Motorbürsten	55
Optionale Ausstattung	55
Lagerung der Maschine	56
Wartung und Reparatur	56
Informationen über Gewindeschneidöl	56
Entsorgung	56
Fehlerbehebung	57
EG Konformitätserklärung	Innerhalb der hinteren Abdeckung
Garantie	Rückseite

* Übersetzung der Originalbetriebsanleitung

Sicherheitssymbole

Wichtige Sicherheitshinweise werden in dieser Bedienungsanleitung und auf dem Produkt mit bestimmten Sicherheitssymbolen und Warnungen gekennzeichnet. Dieser Abschnitt enthält Erläuterungen zu diesen Warnhinweisen und Symbolen.



Dies ist das allgemeine Gefahrensymbol. Es weist auf mögliche Verletzungsgefahren hin. Beachten Sie alle Hinweise mit diesem Symbol, um Verletzungs- oder Lebensgefahr zu vermeiden.

⚠️ GEFAHR

GEFAHR weist auf gefährliche Situationen hin, die bei Nichtbeachtung zu tödlichen bzw. ernsthaften Verletzungen führen.

⚠️ WARNUNG

WARNUNG weist auf gefährliche Situationen hin, die bei Nichtbeachtung zu tödlichen bzw. ernsthaften Verletzungen führen können.

⚠️ ACHTUNG

ACHTUNG weist auf eine gefährliche Situation hin, die ohne entsprechende Sicherheitsvorkehrungen zu kleineren bis mittelschweren Verletzungen führen kann.

HINWEIS

HINWEIS kennzeichnet Informationen, die sich auf den Schutz des Eigentums beziehen.



Dieses Symbol bedeutet, dass die Bedienungsanleitung sorgfältig durchzulesen ist, bevor das Gerät in Betrieb genommen wird. Die Bedienungsanleitung enthält wichtige Informationen für den sicheren, ordnungsgemäßen Gebrauch des Geräts.



Dieses Symbol bedeutet, dass bei der Arbeit mit diesem Gerät immer eine Schutzbrille mit Seitenschutz oder ein Augenschutz zu verwenden ist, um Augenverletzungen zu vermeiden.



Dieses Symbol weist auf die Gefahr hin, dass Finger, Hände, Kleidung und andere Objekte an oder zwischen Zahnräder oder andere rotierende Teile geraten und es zu Quetschungen kommt.



Dieses Symbol weist auf die Gefahr von Stromschlägen hin.



Dieses Symbol weist auf das Risiko hin, dass das Gerät umkippen kann, was zu Verletzungen durch Aufprall oder Zerquetschen führen kann.



Dieses Symbol weist darauf hin, dass beim Betreiben dieser Maschine keine Handschuhe getragen werden sollen, um die Gefahr des Verfangens zu verringern.



Dieses Symbol bedeutet, dass immer Unterstützungsvorrichtungen zu verwenden sind, um der beim Gewindeschneiden auftretenden Kraft zu widerstehen, die Kontrolle zu verbessern und das Verletzungsrisiko zu verringern.

Allgemeine Sicherheits- und Warnhinweise für Elektrowerkzeuge*

⚠️ WARNUNG

Bitte lesen Sie diese Anweisungen sorgfältig durch. Die Nichtbeachtung der nachfolgenden Anweisungen kann zu Stromschlag, Brand und/oder schweren Verletzungen führen.

ALLE WARNUNGEN UND ANWEISUNGEN ZUR SPÄTEREN EINSICHT AUFBEWAHREN!

Der im folgenden Text verwendete Begriff „Elektrowerkzeug“ bezieht sich auf netzbetriebene Elektrowerkzeuge (mit Netzkabel) und akkubetriebene Elektrowerkzeuge (ohne Netzkabel).

Sicherheit im Arbeitsbereich

- **Halten Sie Ihren Arbeitsbereich sauber, und sorgen Sie für eine gute Beleuchtung.** Unordentliche und unzureichend beleuchtete Arbeitsbereiche erhöhen das Unfallrisiko.

- **Betreiben Sie Elektrowerkzeuge nicht in Umgebungen mit erhöhter Explosionsgefahr, in denen sich leicht entflammare Flüssigkeiten, Gase oder Staub befinden.** Elektrowerkzeuge erzeugen im Betrieb Funken, durch die sich Staub oder Brandgase leicht entzünden können.
- **Sorgen Sie bei der Benutzung von Werkzeugen dafür, dass sich keine Kinder oder sonstige Unbeteiligte in deren Nähe befinden.** Bei Ablenkungen kann die Kontrolle über das Gerät verloren gehen

Elektrische Sicherheit

- **Die Stecker des Elektrowerkzeugs müssen zur verwendeten Steckdose passen. Nehmen Sie niemals Veränderungen am Stecker vor. Verwenden Sie keine Adapterstecker in Kombination mit schutzgeerdeten Geräten. Geerdete Werkzeuge müssen an eine korrekt installierte und vorschriftsmäßig geerdete Steckdose angeschlossen werden. Der Erdungsstift darf nicht entfernt und der Stecker auf keinen Fall modifiziert werden. Wenden Sie sich an einen qualifizierten Elektriker, wenn Sie Zweifel haben, ob die Steckdose ordnungsgemäß geerdet ist.** Unveränderte Stecker und passende Steckdosen verringern die Gefahr eines Stromschlags.

* Der im Abschnitt „Allgemeine Sicherheits- und Warnhinweise für Elektrowerkzeuge“ dieses Handbuchs verwendete Text wurde wörtlich aus der geltenden Norm UL/CSA 62841 1. Ausgabe übernommen. Dieser Abschnitt enthält allgemeine Sicherheitshinweise für viele verschiedene Elektrowerkzeugtypen. Nicht jede Sicherheitsvorkehrung gilt für jedes Werkzeug, einige gelten für dieses Werkzeug nicht.

- **Vermeiden Sie Körperkontakt mit geerdeten Oberflächen, wie Rohren, Heizungen, Herden und Kühlschränken.** Es besteht eine erhöhte Stromschlaggefahr, wenn Ihr Körper geerdet ist.
- **Halten Sie Elektrowerkzeuge von Regen und Nässe fern.** Das Eindringen von Wasser in ein Elektrowerkzeug erhöht die Stromschlaggefahr.
- **Das Netzkabel darf nicht für anderweitige Zwecke missbraucht werden. Das Kabel nicht zum Tragen des Werkzeugs benutzen und den Stecker nicht mit dem Kabel aus der Steckdose ziehen. Halten Sie das Kabel von Hitze, Öl, scharfen Kanten und bewegenden Teilen fern. Schadhafte Kabel sofort ersetzen.** Beschädigte oder verwickelte Kabel erhöhen die Stromschlaggefahr.
- **Wenn Sie mit einem Elektrowerkzeug im Freien arbeiten, verwenden Sie nur Verlängerungskabel, die für die Verwendung im Freien geeignet und mit „W-A“ oder „W“ gekennzeichnet sind.** Diese Kabel sind für den Einsatz im Freien zugelassen und mindern die Gefahr elektrischer Schläge.
- **Wenn Sie ein Elektrowerkzeug in feuchter Umgebung einsetzen müssen, verwenden Sie eine Stromversorgung mit Fehlerstromschutzschalter (FI-Schutzschalter).** Die Verwendung eines Fehlerstromschutzschalters (FI-Schutzschalters) verringert die Gefahr eines Stromschlags.

Sicherheit von Personen

- **Seien Sie beim Betrieb eines Elektrowerkzeugs immer aufmerksam und verantwortungsbewusst. Benutzen Sie Werkzeuge nicht, wenn Sie müde sind oder unter dem Einfluss von Drogen, Alkohol oder Medikamenten stehen.** Durch einen kurzen Moment der Unaufmerksamkeit können Sie sich selbst oder anderen erhebliche Verletzungen zufügen.
- **Tragen Sie immer persönliche Schutzkleidung. Tragen Sie immer einen Augenschutz.** Das Tragen einer Schutzausrüstung, wie Staubmaske, rutschfeste Sicherheitsschuhe, Schutzhelm oder Gehörschutz, verringert das Risiko von Verletzungen und ist daher unbedingt erforderlich.
- **Verhindern Sie, dass Elektrowerkzeuge unbeabsichtigt eingeschaltet werden. Vergewissern Sie sich immer, dass sich der Schalter in der Aus-Stellung befindet, bevor Sie ein Elektrowerkzeug anheben, tragen oder an die Stromquelle bzw. einen Akku anschließen.** Wenn Sie beim Tragen des Gerätes den Finger am Schalter haben oder das Gerät eingeschaltet an die Stromversorgung anschließen, kann dies zu Unfällen führen.

- **Entfernen Sie sämtliche Einstellwerkzeuge oder Schraubenschlüssel, bevor Sie das Elektrowerkzeug einschalten.** Ein Werkzeug oder Schlüssel, der sich in einem drehenden Geräteteil befindet, kann Verletzungen verursachen.
- **Lehnen Sie sich nicht zu weit in eine Richtung. Sorgen Sie stets für ein sicheres Gleichgewicht und einen festen Stand.** Dadurch können Sie das Werkzeug in unerwarteten Situationen besser kontrollieren.
- **Tragen Sie geeignete Kleidung. Tragen Sie keine weiten Kleidungsstücke oder Schmuck. Halten Sie Haare und Kleidung von bewegenden Teilen fern.** Weite Kleidung, Schmuck oder lange Haare können von bewegten Teilen erfasst werden.
- **Wenn Staubabsaug- und Staubauffangeinrichtungen montiert werden können, vergewissern Sie sich, dass diese angeschlossen sind und richtig verwendet werden.** Durch Verwendung von Staubauffangeinrichtungen können die durch Staub entstehenden Gefahren erheblich reduziert werden.

Sachgemäßer Umgang mit Elektrowerkzeugen

- **Wenden Sie bei Verwendung des Elektrowerkzeugs keine Gewalt an. Verwenden Sie immer ein für den Einsatzbereich geeignetes Werkzeug.** Mit dem richtigen Werkzeug können Sie Ihre Arbeit effektiver und sicherer ausführen.
- **Verwenden Sie das Elektrowerkzeug nicht, wenn es nicht über einen Schalter an- und ausgeschaltet werden kann.** Ein Elektrowerkzeug, das sich nicht über einen Schalter ein- und ausschalten lässt, stellt eine Gefahrenquelle dar und muss repariert werden.
- **Ziehen Sie den Stecker aus der Steckdose und/oder entfernen Sie den Akku aus dem Elektrowerkzeug, bevor Sie Einstellungen vornehmen, Zubehörteile wechseln oder das Werkzeug lagern.** Durch solche Vorsichtsmaßnahmen wird der unbeabsichtigte Start des Elektrowerkzeugs verhindert.
- **Bewahren Sie unbenutzte Werkzeuge außerhalb der Reichweite von Kindern auf, und lassen Sie Personen, die mit dem Werkzeug nicht vertraut sind oder diese Anweisungen nicht gelesen haben, das Werkzeug nicht benutzen.** Elektrowerkzeuge sind gefährlich, wenn Sie von unerfahrenen Personen benutzt werden.
- **Elektrowerkzeuge müssen regelmäßig gewartet werden. Stellen Sie sicher, dass sich alle beweglichen und festen Teile in der richtigen Position befinden, keine Teile gebrochen sind oder sonstige Fehler vorliegen,**

um den reibungslosen Betrieb des Elektrowerkzeugs sicherzustellen. Bei Beschädigungen muss das Elektrowerkzeug vor einer erneuten Verwendung zunächst repariert werden. Viele Unfälle werden durch schlecht gewartete Elektrowerkzeuge verursacht.

- **Halten Sie Schneidwerkzeuge scharf und sauber.** Sorgfältig gepflegte Schneidwerkzeuge mit scharfen Schneidkanten verklemmen seltener und sind leichter zu führen.
- **Verwenden Sie das Elektrowerkzeug, Zubehör, Einsätze usw. entsprechend diesen Anweisungen und unter Berücksichtigung der Arbeitsbedingungen und der auszuführenden Tätigkeit.** Wenn das Elektrowerkzeug nicht vorschriftsmäßig verwendet wird, kann dies zu gefährlichen Situationen führen.

Wartung

- **Lassen Sie Ihr Elektrowerkzeug nur von qualifiziertem Fachpersonal und nur mit Original-Ersatzteilen reparieren.** Dadurch bleibt die Sicherheit des Elektrowerkzeugs gewährleistet.

Spezifische Sicherheitsinstruktionen

⚠️ WARNUNG

Dieser Abschnitt enthält wichtige Sicherheitshinweise, die speziell für dieses Werkzeug gelten.

Lesen Sie vor dem Gebrauch des Kraftantriebs 700 diese Sicherheitshinweise sorgfältig durch, um die Gefahr eines Stromschlags oder ernsthafter Verletzungen zu vermeiden.

ALLE WARNUNGEN UND ANWEISUNGEN ZUR SPÄTEREN EINSICHT AUFBEWAHREN!

Bewahren Sie diese Bedienungsanleitung beim Gerät auf, damit sie dem Bediener jederzeit zur Verfügung steht.

Sicherheit des Kraftantriebs

- **Befolgen Sie die Anweisungen zur sachgemäßen Benutzung dieser Maschine. Machen Sie sich mit den Anweisungen und Warnungen für alle verwendeten Geräte und Materialien vertraut, bevor Sie den Kraftantrieb benutzen.** Die Nichtbefolgung der Anweisungen und Warnungen kann zu Sachschäden und/oder schweren Verletzungen führen.
- **Benutzen Sie beim Schneiden von Gewinden in 1" (25 mm) oder größere Rohre eine Stützvorrichtung, um die beim Gewindeschneiden auftretenden Kräfte zu neutralisieren. Verwenden Sie entsprechend diesen Anweisungen eine geeignete Stützvorrichtung.**

Stützvorrichtungen verbessern die Kontrolle und reduzieren das Risiko von Schlag-, Quetsch- und/oder anderen Verletzungen.

- **Wenn eine andere Stützvorrichtung als der Stützarm verwendet wird, muss die Stützvorrichtung gegen das Motorgehäuse wirken.** Stützvorrichtungen, die andere Teile berühren, können Maschinenteile beschädigen oder das Verletzungsrisiko erhöhen.
- **Halten Sie den Kraftantrieb beim Gewindeschneiden oder beim Zurückziehen des Schneidkopfs vom Rohr immer fest, um die beim Gewindeschneiden auftretenden Kräfte zu neutralisieren, unabhängig von der verwendeten Stützvorrichtung.** Dadurch wird das Risiko von Schlag-, Quetsch- und anderen Verletzungen verringert.
- **Benutzen Sie diesen Kraftantrieb nicht, wenn der Schalterknopf defekt ist.** Dieser Schalter ist eine Sicherheitsvorrichtung, die den Motor abschaltet, sobald der Schalter losgelassen wird.
- **Tragen Sie beim Arbeiten mit Maschinen keine Handschuhe oder weite Kleidung. Hemdsärmel und Jacken müssen zugeknöpft sein. Nicht über die Maschine oder das Rohr greifen.** Kleidung kann sich im Rohr oder in der Maschine verfangen.
- **Eine Person muss den Arbeitsprozess und den Betrieb der Maschine kontrollieren.** Nur der Bediener sollte sich im Arbeitsbereich aufhalten, wenn die Maschine läuft. Dies trägt zur Reduzierung des Verletzungsrisikos bei.
- **Benutzen Sie keine stumpfen oder schadhafte Schneidbacken.** Scharfe Schneidwerkzeuge erfordern weniger Drehmoment und der Kraftantrieb lässt sich leichter kontrollieren.
- **Halten Sie die Griffe trocken, sauber und frei von Ölen und Fetten.** Dadurch können Sie das Werkzeug besser kontrollieren.
- **Halten Sie den Boden trocken und frei von rutschigen Materialien wie Öl.** Rutschigen Böden erhöhen die Unfallgefahr.
- **Verwenden Sie ausschließlich RIDGID Schneidköpfe mit dem RIDGID Kraftantrieb 700, andere Schneidköpfe passen möglicherweise nicht richtig in den Kraftantrieb, sodass sich das Risiko von Beschädigungen am Gerät und von Verletzungen erhöht.**
- **Benutzen Sie bei der Verwendung für andere Zwecke als in dieser Anleitung beschrieben eine Stützvorrichtung, um den auftretenden Kräften zu widerstehen.** Stützvorrichtungen verbessern die Kontrolle und reduzieren das Risiko von Schlag-, Quetsch- und/oder anderen Verletzungen.

Wenn Sie Fragen zu diesem RIDGID® Produkt haben:

- Wenden Sie sich an Ihren örtlichen RIDGID® Händler.
- Besuchen Sie RIDGID.com, um einen RIDGID Kontaktpunkt in Ihrer Nähe zu finden.
- Wenden Sie sich an die Abteilung Technischer Kundendienst von Ridge Tool unter rttechservices@emerson.com, oder in den USA und Kanada telefonisch unter (800) 519-3456.

Beschreibung, technische Daten und Standardausstattung

Beschreibung

Der RIDGID® Kraftantrieb 700 sorgt beim Gewindeschneiden in Rohre und Leitungen für die nötige Kraft. Vorwärts- und Rückwärtsrotation können mit einem Umschalter gewählt werden.

Der Kraftantrieb ist für die Verwendung von RIDGID 12-R Schneidköpfen (1/8" – 2" Rohr) vorgesehen. Andere RIDGID Schneidköpfe wie OO-R und 11-R können mit Adaptern verwendet werden.

Benutzen Sie beim Schneiden von Gewinden in 1" oder größere Rohre eine Stützvorrichtung, wie den Stützarm 775 oder eine RIDGID 14" Hochleistungsrohrzange, um den beim Gewindeschneiden auftretenden Kräften zu widerstehen.

Der Kraftantrieb kann auch zum Antreiben des RIDGID Rohrabschneiders 258 und für andere Zwecke verwendet werden (siehe „Weitere Verwendungsmöglichkeiten“).

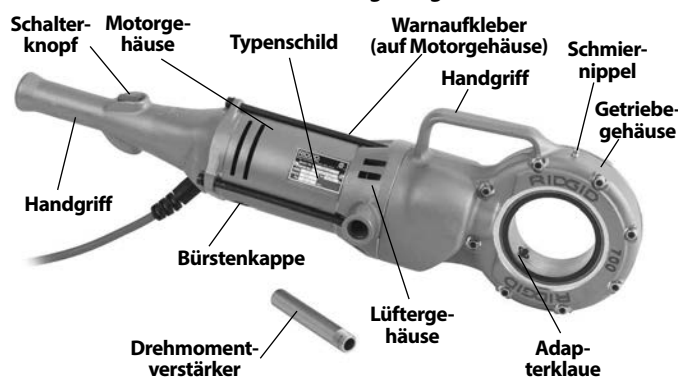


Abbildung 1 – Kraftantrieb 700

Technische Daten

GewindeschneidkapazitätRohr 1/8" bis 2" (3 bis 50 mm)
 Bolzen 1/4" bis 1" (6 bis 25 mm)
 mit OO-RB Schneidkopf

Motor:

Typ.....	Universal, umschaltbar		
Volt.....	110	120	220-240
Ampere.....	13,5	13,5	6,5
Frequenz.....	50/60Hz	50/60Hz	50/60Hz
Leistung.....	1500	1500	1500
Betriebsdrehzahl.....	26-30 RPM, ohne Last		
Bedienelemente.....	Zweistufiger Umschalter mit Federrückführung in ausgeschaltete Position		
Getriebekopf.....	Aluminiumguss, Stirnradunter-setzungsantrieb, federbelastete Adapterklauen, Spindelgetrie-be aus gehärtetem Stahl		

Abmessungen:

Länge.....	28 1/4" (717 mm)
Breite.....	6 1/16" (154 mm)
Höhe.....	7 3/16" (198 mm)
Gewicht.....	25 lbs. (11 kg)
Schalldruck (L _{PA})**.....	98,4 dB(A), K=3
Schallleistung (L _{WA})**.....	107 dB(A), K=3
Vibration**.....	2,5 m/s ² , K=1,5

* Die Motordaten für Ihre spezifische Maschine finden Sie auf deren Seriennummerschild - weitere Ausführungen sind verfügbar.

** Schall und Vibration werden nach einem standardisierten Verfahren gemäß der Norm EN 62481-1 gemessen.

- Vibrationsniveaus können für Vergleiche mit anderen Werkzeugen und für die vorläufige Einschätzung der Exposition verwendet werden.

- Schall- und Vibrationsemissionen können aufgrund Ihres Standorts und der spezifischen Verwendung dieser Werkzeuge schwanken.

- Das tägliche Expositions-niveau für Schall und Vibrationen muss für jede Anwendung bewertet werden und bei Bedarf sind entsprechende Sicherheitsmaßnahmen zu treffen. Bei der Bewertung des Expositions-niveaus sollte die Zeit berücksichtigt werden, für die ein Werkzeug abgeschaltet ist und nicht benutzt wird. Dadurch kann sich das Expositions-niveau über die gesamte Arbeitszeit signifikant verringern.

Standardausstattung

Zum Lieferumfang des Kraftantriebs 700 gehören folgende Teile:

- Kraftantrieb 700
- Drehmomentverstärker
- Haltevorrichtung
- Betriebsanleitung

Das Typenschild des Kraftantriebs 700 befindet sich unten am Motorgehäuse. Die letzten 4 Ziffern geben Monat und Jahr der Herstellung an. (12 = Monat, 15 = Jahr)

RIDGID		Ridge Tool Company, Elyria, Ohio, U.S.A. RIDGID.com	
Model No.	[]		
Serial No.	XXXXXXXXMMYY		
[]	V	~	Hz
[]	A	[]	W
No	/min Duty	[]	[]
[]	[]	[]	[]
		Intertek	

Abbildung 2 – Geräteseriennummer

HINWEIS Für die Auswahl der geeigneten Materialien, sowie der Installations-, Verbindungs- und Formmethoden ist der Systemdesigner und/oder Installateur verantwortlich. Die Auswahl ungeeigneter Materialien und Methoden kann zu Systemausfällen führen.

Edelstahl und andere korrosionsbeständige Materialien können bei Installation, Zusammenfügen und Formen kontaminiert werden. Diese Kontamination könnte zu Korrosion und vorzeitigem Ausfall führen. Eine sorgfältige Bewertung der Materialien und Methoden für die speziellen Einsatzbedingungen, einschließlich chemischer Bedingungen und Temperatur, sollte erfolgen, bevor eine Installation versucht wird.

Inspektion vor der Benutzung

⚠️ WARNUNG



Kontrollieren Sie Ihren Kraftantrieb 700 vor jeder Benutzung und beheben Sie etwaige Probleme, um die Verletzungsgefahr durch Stromschlag, Quetschverletzungen und andere Ursachen zu reduzieren und Beschädigungen des Kraftantriebs zu vermeiden.

1. Vergewissern Sie sich, dass der Kraftantrieb vom Netz getrennt ist.
2. Beseitigen Sie sämtliches Öl, Fett und Schmutz von Kraftantrieb und Stützvorrichtung, einschließlich Handgriffen und Bedienelementen. Dies erleichtert die Inspektion und hilft, zu vermeiden, dass Gerät oder Bedienelemente Ihnen aus den Händen gleiten.
3. Überprüfen Sie den Kraftantrieb hinsichtlich folgender Punkte:
 - Beschädigung oder Veränderung von Kabel und Stecker.
 - Korrekte Montage, Wartung und Vollständigkeit.

- Schadhafte, falsch ausgerichtete oder klemmende Teile.
- Korrekte Funktion des Schalters. Vergewissern Sie sich, dass er sich problemlos betätigen lässt und nicht klemmt.
- Vorhandensein und Lesbarkeit der Warmaufkleber (Abbildung 3).
- Umstände, die einen sicheren und normalen Betrieb verhindern könnten.

Wenn Probleme festgestellt werden, benutzen Sie den Kraftantrieb erst, wenn die Probleme behoben sind.

4. Überprüfen Sie den Stützarm. Vergewissern Sie sich, dass die Greifzähne sauber und in einwandfreiem Zustand sind. Die Zähne können mit einer Drahtbürste gereinigt werden.
5. Überprüfen Sie die Schneidkanten der Schneidbacken auf Verschleiß, Verformung, Späne oder andere Probleme. Stumpfe oder schadhafte Schneidwerkzeuge erhöhen den erforderlichen Kraftaufwand, beeinträchtigen die Schnittqualität und erhöhen die Verletzungsgefahr.
6. Kontrollieren und warten Sie alle anderen verwendeten Ausrüstungsteile gemäß der jeweiligen Anleitung, um sicherzustellen, dass sie in funktionsfähigen Zustand sind.
7. Überprüfen Sie entsprechend den Anweisungen für *Vorbereitung und Betrieb* den Kraftantrieb auf einwandfreie Funktion.

- Betätigen Sie den Schalter für VORWÄRTS-Rotation und lassen Sie ihn wieder los, wiederholen sie dies für RÜCKWÄRTS-Rotation, wie in *Abbildung 3* gezeigt. Vergewissern Sie sich, dass der Kraftantrieb rotiert, wie in *Abbildung 3* gezeigt und dass der Maschinenbetrieb sich mit dem Schalter steuern lässt.

Lassen Sie den Kraftantrieb vollständig zum Stillstand kommen, bevor Sie die Richtung mit dem Schalter umkehren. Dadurch wird das Risiko einer Beschädigung des Kraftantriebs verringert.

- Drücken und halten Sie den Schalter. Überprüfen Sie die bewegenden Teile auf falsche Ausrichtung, Klemmen, ungewöhnliche Geräusche oder andere ungewöhnliche Bedingungen. Lassen Sie den Schalter los.

Wenn die Maschine nicht korrekt funktioniert oder etwas Ungewöhnliches festgestellt wurde, benutzen Sie die Maschine erst, nachdem das Problem beseitigt wurde.

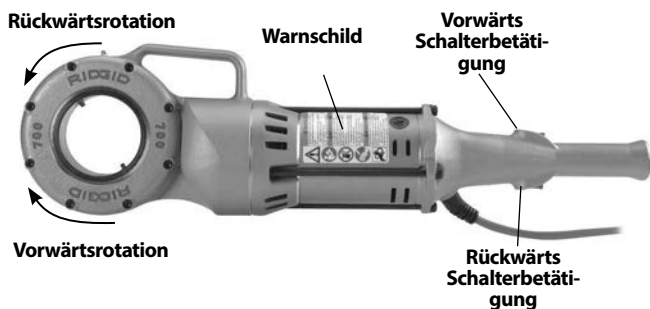


Abbildung 3 – Schalterposition für Rotationsrichtung

8. Lassen Sie den Schalter los und trennen Sie die Maschine mit trockenen Händen vom Netz.

Vorbereitung und Betrieb

⚠️ WARNUNG



Befolgen Sie bei Vorbereitung und Betrieb des Kraftantriebs 700 diese Verfahren, um die Verletzungsgefahr durch Stromschlag, Verfangen, Schläge, Quetschungen und andere Ursachen zu vermeiden und um Schäden am Kraftantrieb zu verhindern.

Benutzen Sie beim Schneiden von Gewinden in 1" (25 mm) oder größere Rohre eine Stützvorrichtung, um die beim Gewindeschneiden auftretenden Kräfte zu neutralisieren. Verwenden Sie entsprechend diesen Anweisungen eine geeignete Stützvorrichtung. Stützvorrichtungen verbessern die Kontrolle und reduzieren das Risiko von Schlag-, Quetsch- und/oder anderen Verletzungen.

Halten Sie den Kraftantrieb beim Gewindeschneiden oder beim Zurückziehen des Schneidkopfs vom Rohr immer fest, um die beim Gewindeschneiden auftretenden Kräfte zu neutralisieren, unabhängig von der verwendeten Stützvorrichtung. Dadurch wird das Risiko von Schlag-, Quetsch- und anderen Verletzungen verringert.

Stützen Sie das Rohr ausreichend ab. So wird die Gefahr, dass das Rohr herunterfällt oder dass die Maschine kippt und schwere Verletzungen verursacht, reduziert.

Benutzen Sie einen Kraftantrieb nicht ohne einen einwandfrei funktionierenden Schalter.

Tragen Sie beim Arbeiten mit der Maschine keine Handschuhe oder lose Kleidung. Hemdsärmel und Jacken müssen zugeknöpft sein. Nicht über die Maschine oder das Rohr greifen. Kleidung kann sich im Rohr oder in der Maschine verfangen.

Arbeitsprozess und Schalter müssen von einer Person kontrolliert werden. Nicht mit mehr als einer Person betreiben. Für den Fall des Verfangens in Teilen muss der Bediener den Schalter unter Kontrolle haben.

1. Überprüfen Sie den Arbeitsbereich auf:
 - Ausreichende Beleuchtung.
 - Entflammbare Flüssigkeiten, Dämpfe oder Stäube, die sich entzünden können. Sind solche Gefahrenquellen vorhanden, arbeiten Sie in diesen Bereichen erst, wenn diese erkannt und beseitigt wurden. Die Kraftantriebe sind nicht explosionsgeschützt und können Funkenbildung verursachen.
 - Freien, ebenen, stabilen und trockenen Arbeitsplatz für das Gerät und den Bediener.
 - Gute Belüftung. Nicht über längere Zeit in kleinen, beengten Bereichen benutzen.
 - Korrekt geerdete Steckdose mit korrekter Spannung. Lassen Sie im Zweifelsfall die Steckdose von einem autorisierten Elektriker überprüfen.
 - Sorgen Sie für einen freien Weg zum Netzanschluss, sodass eine mögliche Beschädigung des Netzkabels ausgeschlossen ist.
2. Überprüfen Sie das zu bearbeitende Rohr und die entsprechenden Fittings und vergewissern Sie sich, dass der Kraftantrieb 700 für die Aufgabe geeignet ist. *Siehe technische Daten.*

Ausrüstung für andere Anwendungen ist im Ridge Tool Katalog zu finden, online auf RIDGID.com, oder rufen Sie in den USA und Kanada den Ridge Tool Technical Service unter (800) 519-3456 an.
3. Vergewissern Sie sich, dass das zu verwendende Gerät sachgemäß überprüft wurde.
4. Bereiten Sie das Rohr nach Bedarf korrekt vor. Vergewissern Sie sich, dass das Rohr gerade abgeschnitten und entgratet ist. Bei schräg abgeschnittenem Rohr können die Schneidbacken beim Gewindeschneiden beschädigt werden oder der Schneidkopf hat Schwierigkeiten, das Rohr zu erfassen.
5. Vergewissern Sie sich, dass das zu bearbeitende Rohr stabil und gesichert ist, um ein Umkippen während der Benutzung zu verhindern. Benutzen Sie zum Abstützen des Rohrs geeignete Rohrstände.
6. Kontrollieren Sie den Pegel des RIDGID Gewindeschneidöls im RIDGID 418 Öl. Entfernen Sie die Spänauffangschale und vergewissern Sie sich, dass das Filtersieb sauber und vollständig in Öl eingetaucht ist. Bei Bedarf Öl nachfüllen oder wechseln. Platzieren Sie den Öl 418 unter dem zu bearbeitenden Rohr.

Einsetzen der Schneidköpfe

1. Vergewissern Sie sich, dass der Kraftantrieb vom Netz getrennt ist.
2. Schieben Sie den 12-R Schneidkopf oder Adapter (*siehe Optionale Ausrüstung*) mit dem Keilende zuerst gerade in den Kraftantrieb, bis die federbelasteten Antriebsklauen den Keil sicher ergreifen. (Abbildung 4). Schneidkopf oder Adapter können in beide Seiten des Kraftantriebs eingesetzt werden. In einigen Fällen müssen Schneidköpfe/Adapter möglicherweise gedreht werden, damit die Klaue greift. Bei 770 und 773 Adaptern muss der Schneidkopf in den Adapter eingebaut werden, bevor dieser in den Kraftantrieb eingesetzt wird.
3. Zum Entfernen den Schneidkopf gerade aus dem Kraftantrieb ziehen. Verwenden Sie bei Bedarf einen Kunststoffhammer oder einen Holzklötz, um den Schneidkopf herauszuklopfen. Schlagen Sie nicht auf den Schneidkopf, dadurch kann das Werkzeug beschädigt werden.



Abbildung 4 – Einsetzen der Schneidköpfe in den Kraftantrieb 700

Widerstand gegen Gewindeschneidkräfte (Stützvorrichtungen)

Für die Herstellung von Rechtsgewinden rotiert der Schneidkopf im Uhrzeigersinn (wenn man auf die Vorderseite des Schneidkopfes blickt). Die beim Gewindeschneiden auftretenden Kräfte wirken gegen den Uhrzeigersinn. Rotation und Kraft sind bei Linksgewinden umgekehrt. Vergewissern Sie sich, dass die Stützvorrichtung so angebracht ist, dass sie die beim Gewindeschneiden auftretende Kraft absorbiert und ihr widersteht.

Benutzung des Stützarms 775:

1. Der Bügelhaken des Stützarms kann auf beiden Seiten angebracht werden. Die Scharnierschraube fest anziehen.

2. Positionieren Sie den Stützarm so am Rohr, dass das Ende des Stützarms mit dem Rohrende fluchtet und der Kraftantrieb 700 sich etwas über der Horizontalen befindet (Abbildung 5 und 6). So ist der Stützarm korrekt für das Gewindeschneiden ausgerichtet und es kann kein Öl am Kraftantrieb herunterlaufen.
3. Vergewissern Sie sich, dass die Stützarmbacken gerade am Rohr ausgerichtet sind und ziehen Sie den Stützarm fest.

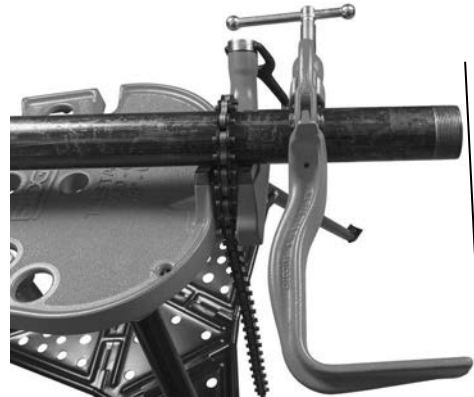


Abbildung 5 – Stützarm fluchtet mit Rohrende



Abbildung 6 – Stützarm positioniert, Kraftantrieb 700 leicht über der Horizontalen

Verwendung einer RIDGID 12", 14" oder 18" Hochleistung-Rohrzange:

1. Bauen Sie den Drehmomentverstärker fest in das Lüftergehäuse des Kraftantriebs 700 ein. Ein 5" (127 mm) langes Stück 1/2" Schedule 80 Stahlrohr mit einem 1/2" NPT-Gewinde kann ebenfalls verwendet werden.
2. Setzen Sie die RIDGID 12", 14" oder 18" Hochleistung-Rohrzange etwa 7" (175 mm) vom Rohrende entfernt an (*siehe Abbildung 7*). Prüfen Sie, ob die Zange gesichert ist und nicht herunterfallen oder sich bewegen kann.
3. Zu Beginn des Gewindeschneidvorgangs sitzt der Drehmomentverstärker auf dem Griff der Rohrzange.

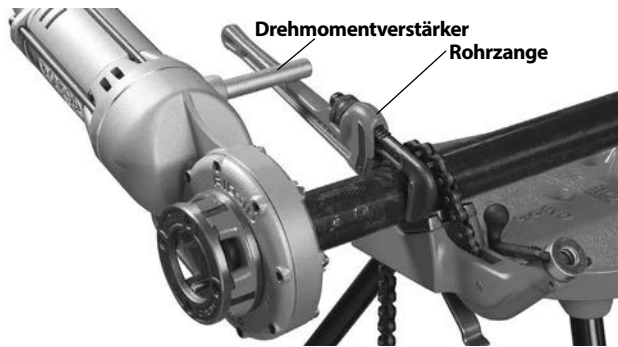


Abbildung 7 – Gewindeschneiden mit Rohrzanze als Stützarm

Andere Abstützmethoden:

Platzieren Sie das Motorgehäuse des Kraftantriebs (siehe *Abbildung 1*) an einem angrenzenden tragenden Teil (beispielsweise an Wänden, Trägern und Balken). Dies setzt voraus, dass das zu bearbeitende Rohr und seine Umgebung in der Lage sind, dem Gewicht des Werkzeugs und den beim Gewindeschneiden auftretenden Kräften standzuhalten. Eventuell müssen provisorische oder dauerhafte Rohrstützen oder tragende Elemente hinzugefügt werden, um den beim Gewindeschneiden auftretenden Kräften Stand zu halten.

Für Rohr mit 3/4" Durchmesser und kleiner:

Gewinde in Rohren mit einem Nennmaß von 3/4" und kleiner können ohne Verwendung einer Stützvorrichtung geschnitten werden. In diesem Fall kann der Bediener den beim Gewindeschneiden auftretenden Kräften standhalten. Das Rohr muss korrekt gesichert sein, um eine Rotation zu verhindern. Halten Sie den Kraftantrieb beim Gewindeschneiden oder beim Zurückziehen des Schneidkopfs vom Rohr immer fest, um die Kräfte zu neutralisieren. Dadurch wird das Risiko von Schlag-, Quetsch- und anderen Verletzungen verringert.

Gewindeschneider

1. Schließen Sie den Kraftantrieb mit trockenen Händen an.
2. Positionieren Sie den Schneidkopf über dem Rohrende und stützen Sie den Kraftantrieb ab, wie im Abschnitt „Widerstand gegen die beim Gewindeschneiden auftretenden Kräfte“ beschrieben. Halten Sie den Kraftantrieb immer gegen die Stützvorrichtung. Legen Sie nichts zwischen Kraftantrieb und Stützvorrichtung – dies erhöht das Risiko von Klemm- und Quetschverletzungen.

3. Stellen Sie sich so, dass Sie die Maschine kontrollieren können (siehe *Abbildung 9*),
 - Achten Sie auf gutes Gleichgewicht und vermeiden Sie es, sich weit in eine Richtung beugen zu müssen.
 - Vergewissern Sie sich, dass Sie Schalter und Maschine kontrollieren können. Betätigen Sie den Schalter noch nicht. Im Notfall müssen Sie in der Lage sein, den Schalter loszulassen.

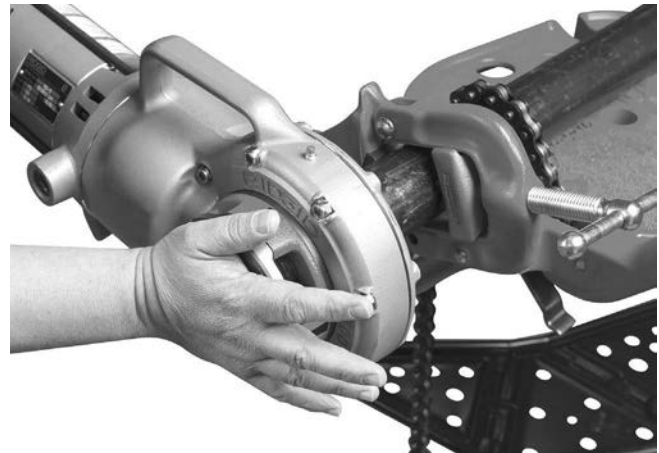


Abbildung 8 – Starten des Gewindeschneidvorgangs

4. Betätigen Sie den Schalter (siehe *Abbildung 3*) und drücken Sie gleichzeitig mit dem Handballen der freien Hand gegen die Schneidkopfabdeckplatte, um mit dem Schneiden des Gewindes zu beginnen (*Abbildung 8*). Tragen Sie, während Sie auf die Abdeckplatte drücken, keine Handschuhe und keinen Schmuck, verwenden Sie keinen Lappen – dies erhöht die Gefahr von Verfangen und Verletzungen. Sobald die Schneidbacken das Rohr erfassen, wird das Gewinde geschnitten, da die Schneidbacken sich selbst auf das Rohrende ziehen.

Halten Sie den Griff des Kraftantriebs immer fest, um den auftretenden Kräften zu widerstehen. Stützvorrichtungen können abrutschen, sodass der Kraftantrieb sich bewegen kann. Der Schalter kann jederzeit losgelassen werden, um den Kraftantrieb ABZUSCHALTEN.



Abbildung 9 – Gewindeschneiden in Rohr

5. Drücken Sie nicht weiter auf die Abdeckplatte und tragen Sie mit dem Öl eine großzügige Menge RIDGID Gewindeschneidöl auf den Gewindeschneidbereich auf. Dies verringert das zum Gewindeschneiden erforderliche Drehmoment, verbessert die Gewindegüte und steigert die Lebensdauer der Schneidbacke.
6. Halten Sie den Schalter gedrückt, bis das Rohrende mit der Kante der Schneidbacken fluchtet (*Abbildung 10*). Achten Sie darauf, dass der Kraftantrieb nicht in der Stützvorrichtung läuft. Lassen Sie den Schalterknopf los. Lassen Sie den Kraftantrieb vollständig zum Stillstand kommen.

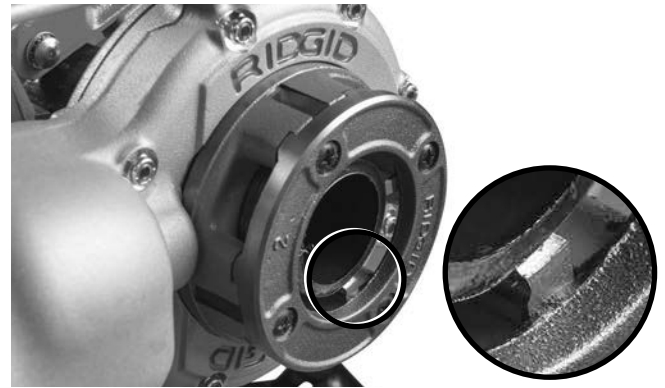


Abbildung 10 – Rohr fluchtet mit Kante der Schneidbacken

7. Betätigen Sie den Schalterknopf in Rückwärtsrichtung, um den Schneidkopf vom bearbeiteten Rohr zu entfernen. Halten Sie den Griff des Kraftantriebs fest, um den auftretenden Kräften zu widerstehen, entfernen Sie die Späne und ziehen Sie den Schneidkopf zurück.
8. Lassen Sie den Schalter los und entfernen Sie Kraftantrieb und Schneidkopf vom Rohr.
9. Trennen Sie den Kraftantrieb mit trockenen Händen vom Netz.
10. Wischen Sie Öl und Rückstände vom Gewinde und aus dem Schneidkopf, vermeiden Sie dabei Schnittverletzungen durch scharfe Rückstände oder Kanten. Beseitigen Sie etwaige Ölspritzer aus dem Arbeitsbereich.

Überprüfung der Gewinde

1. Entfernen Sie, sofern vorhanden, Öl, Späne oder Rückstände vom Gewinde.
2. Inspizieren Sie das Gewinde visuell. Gewinde sollten gleichmäßig und vollständig sein und eine gute Form aufweisen. Wenn Probleme, wie Ausreißen des Gewindes, dünne Gewinde oder Unrundheit des Rohrs festgestellt werden, schließt das Gewinde möglicherweise nicht dicht. Zwecks Diagnostizierung dieser Probleme verweisen wir auf die *Fehlerbehebungstabelle*.
3. Überprüfen Sie die Größe des Gewindes. Am besten überprüft man die Gewindegröße mit einem Lehring. Es gibt verschiedene Arten von Lehringen und die Benutzung kann vom hier gezeigten Verfahren abweichen. *Abbildung 11*.
 - Schrauben Sie den Lehring handfest auf das Gewinde.
 - Sehen Sie sich an, wie weit das Rohrende aus dem Lehring ragt. Das Rohrende sollte mit der Seite des Rings bündig sein, plus oder minus eine Drehung. Wenn die Messung kein korrektes Gewinde ergibt, schneiden Sie das Gewinde ab, justieren Sie den Schneidkopf und schneiden Sie ein weiteres Gewinde.

Die Verwendung eines Gewindes, bei dem die Messung kein korrektes Resultat ergibt, kann zu Undichtigkeit führen.

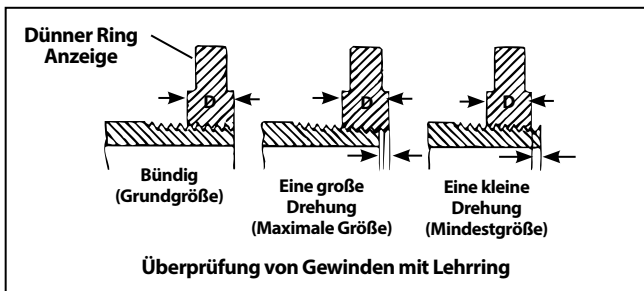


Abbildung 11 – Überprüfen der Gewindegröße

- Wenn kein Lehnring zur Überprüfung der Gewindegröße verfügbar ist, kann man zum Messen der Gewindegröße ein neues sauberes Fitting verwenden, das für die bei der gegenwärtigen Tätigkeit verwendeten Fittings repräsentativ ist. Bei 2" und kleineren NPT-Gewinden sollten die Gewinde so geschnitten werden, dass das Fitting nach 4 bis 5 Umdrehungen handfest sitzt, bei BSPT-Gewinden mit 2" und weniger sollten es 3 Umdrehungen sein.

Kraftantrieb 700 – Weitere Verwendungsmöglichkeiten

Dieses Handbuch enthält spezifische Anweisungen für die Verwendung des Kraftantriebs 700 zum Gewindeschneiden mit verschiedenen RIDGID Schneidköpfen. Bei der Verwendung mit anderen RIDGID Geräten (beispielsweise dem RIDGID 258/258XL Elektro-Rohrabschneider) befolgen Sie bitte die Anweisungen und Warnungen für dieses RIDGID Gerät hinsichtlich der korrekten Vorbereitung und Verwendung.

Ridge Tool kann nicht für jede mögliche Verwendung des Kraftantriebs 700 spezifische Anweisungen erteilen. Der Benutzer muss die jeweilige Arbeitssituation beurteilen und die richtigen Praktiken und Methoden anwenden. Sollten Zweifel bezüglich der Benutzung des Kraftantriebs 700 für diese anderen Zwecke bestehen, benutzen Sie ihn nicht.

Bei Verwendung des Kraftantriebs 700 für andere Zwecke müssen die Arbeiten unter Anwendung der folgenden allgemeinen Richtlinien sorgfältig geprüft und vorbereitet werden. Der Kraftantrieb 700 erzeugt ein hohes Drehmoment und entsprechend große Kräfte, die Schlag- und Quetschverletzungen verursachen können.

- Der RIDGID 774 Rechteckantriebsadapter kann verwendet werden, um den Kraftantrieb 700 so anzupassen, dass ein 1 5/16" Außenvierkantanschluss gedreht werden kann. Bringen Sie den Adapter fest an, damit er sich bei der Benutzung nicht lösen kann.

- Eine geeignete Methode, um den auftretenden Kräften standhalten zu können, muss entwickelt werden (siehe Abschnitt „Widerstand gegen auftretende Kräfte“). Die Kräfte können 1000 lbs (455 kg) übersteigen. Stützvorrichtungen können am Motorgehäuse oder Lüftergehäuse des Kraftantriebs 700 angebracht werden (Abbildung 1).
- Halten Sie den Kraftantrieb immer gegen die Stützvorrichtung – Bewegen Sie keine Körperteile zwischen Kraftantrieb und Stützvorrichtung.
- Während der Benutzung darf zwischen Kraftantrieb und Stützvorrichtung keine relative Bewegung auftreten.
- Vergewissern Sie sich, dass bei der Anwendung (etwa Betätigung eines Ventils) eine freie Bewegung ohne Klemmen möglich ist und dass die Enden der Wege bekannt sind. Wenn das System während der Benutzung klemmt oder sich nicht weiter bewegt, nehmen die auftretenden Kräfte abrupt und erheblich zu oder der Kraftantrieb kann rotieren.
- Befolgen Sie bei Verwendung zur Betätigung von Ventilen oder anderen Apparaturen sämtliche Anweisungen des Geräteherstellers. Überlasten Sie die Ausrüstung nicht.
- So verwenden, dass die Reaktionskraft des Kraftantriebs 700 vom Benutzer weg wirkt.
- Der Schalterknopf kann jederzeit losgelassen werden, um den Kraftantrieb abzuschalten. Vergewissern Sie sich, dass Sie in der Lage sind, den Schalterknopf loszulassen.

Wartungsanweisungen

⚠ WARNUNG

Vergewissern Sie sich, dass der Schalterknopf freigegeben wurde und die Maschine vom Netz getrennt ist, bevor Sie Wartungsarbeiten durchführen oder Einstellungen vornehmen.

Warten Sie das Werkzeug nach diesen Verfahren, um die Verletzungsgefahr durch Stromschlag, Quetschung oder andere Risiken zu vermeiden.

Reinigung

1. Entfernen Sie nach jeder Benutzung die Späne aus der Späneauffangschale des Ölers 418 und beseitigen Sie alle Ölrückstände.
2. Beseitigen Sie sämtliches Öl, Fett, Späne oder Schmutz vom Kraftantrieb, einschließlich Handgriffen und Bedienelementen.
3. Entfernen Sie Öl, Fett oder Schmutz vom Stützarm. Reinigen Sie bei Bedarf die Stützarmbacken mit einer Drahtbürste.

- Entfernen Sie Späne und Schmutz von den Schneidköpfen.

Schmierung

Verwenden Sie eine Fettpresse, um alle 3 bis 6 Monate, abhängig von der Benutzung der Maschine, Lithium EP (Extreme Pressure) Fett durch die Schmiernippel am Getriebegehäuse (siehe Abbildung 1) zu pressen.

Wechseln der Schneidbacken in 12-R Schneidköpfen

Diverse Schneidbacken sind für den Einbau in RIDGID 12- R Schneidköpfe erhältlich. *Verfügbarkeit siehe Katalog.*

- Entfernen Sie die vier Schrauben (4), die Abdeckplatte (2) und die Schneidbacken (3) vom Schneidkopf.
- Setzen Sie neue Schneidbacken in die Schlitze ein, wobei der nummerierte Rand (1, 2, 3, 4) nach oben weisen muss. Die Zahlen auf den Schneidbacken müssen denen an den Schlitzen des Schneidkopfs entsprechen. Ersetzen Sie Schneidbacken immer als Satz.
- Setzen Sie die Abdeckplatte (2) und die Schrauben (4) ein und ziehen Sie die Schrauben leicht an.
- Schrauben Sie ein Rohrende mit geschnittenem Gewinde in die Schneidbacken ein, bis diese zu schneiden beginnen. Dies erzwingt den Anschlag an Schneidbacken „B“ außen gegen Öse „A“ an der Abdeckplatte und bewirkt eine korrekte Einstellung der Größe.
- Ziehen Sie die vier Schrauben fest an. Entfernen Sie das Rohr mit geschnittenem Gewinde und nehmen Sie einen Probeschnitt vor.

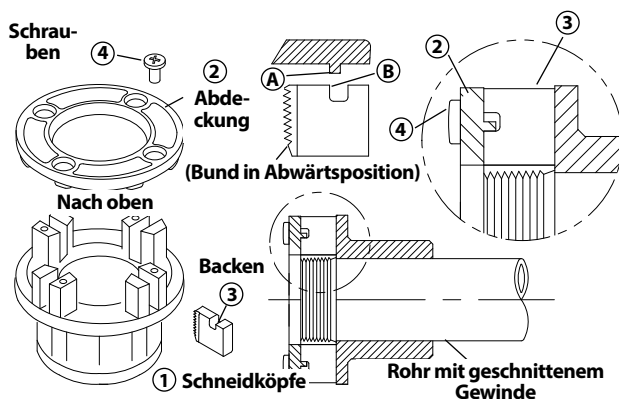


Abbildung 12 – Einsetzen der Schneidbacken in den Schneidkopf

Ersetzen der Motorbürsten

Die Motorbürsten alle 6 Monate überprüfen. Ersetzen, wenn sie auf weniger als 1/4" (6 mm) verschlissen sind.



Abbildung 13 – Einbau der Bürsten

- Die Maschine vom Netz trennen.
- Lösen Sie die Bürstenkappen. Entfernen und überprüfen Sie die Bürsten. Ersetzen, wenn sie auf weniger als 1/4" (6 mm) verschlissen sind. Überprüfen Sie den Kollektor auf Verschleiß. Lassen Sie bei übermäßigem Verschleiß das Werkzeug warten.
- Bürsten wieder einbauen/neue Bürsten einbauen.
- Lassen Sie vor Benutzung das Gerät 15 Minuten in Vorwärtsrichtung und anschließend 15 Minuten in Rückwärtsrichtung im Leerlauf drehen, sodass sich die neuen Bürsten am Kollektor setzen.

Optionale Ausstattung

⚠️ WARNUNG

Um Verletzungsgefahr zu vermeiden, ist nur die speziell für den Kraftantrieb 700 entwickelte und empfohlene Ausrüstung, die nachstehend aufgeführt ist, zu verwenden.

Best.-Nr.	Beschreibung
42600	770 Adapter für 00-R (1/8" – 1") und 00-RB (1/4" – 1")
42605	771 Adapter für 0-R (1/8" – 1")
42610	772 Adapter für 11-R (1/8" – 1 1/4")
42615	773 Adapter für 111-R (1/8" – 1 1/4")
42620	774 Rechteckantriebsadapter – 15/16"
42625	775 Stützarm
46615	Drehmomentverstärker
42950	B-171-X Metalltransportkasten
10883	418 Öler mit 1 Gallone Premium-Gewindeschneidöl
41620	Getriebekopf-Motor-Schmiermittel

Weitere Informationen über Zubehör speziell für den Kraftantrieb 700 finden Sie im RIDGID Katalog und online auf RIDGID.com

Lagerung der Maschine

⚠️ WARNUNG Der Kraftantrieb 700 muss bei regnerischer Witterung in Räumen oder gut abgedeckt gelagert werden. Lagern Sie die Maschine in einem abgeschlossenen Bereich außer Reichweite von Kindern und Personen, die mit den Maschinen nicht vertraut sind. Wenn diese Maschine in die Hände von nicht geschulten Benutzern gelangt, kann sie schwere Verletzungen verursachen.

Wartung und Reparatur

⚠️ WARNUNG

Die Betriebssicherheit des Geräts kann durch unsachgemäße Wartung oder Reparatur beeinträchtigt werden.

In den *Wartungsanweisungen* werden die meisten der Wartungsanforderungen für diese Maschine erläutert. Alle Probleme, die in diesem Abschnitt nicht erwähnt werden, sollten von einem qualifizierten RIDGID-Wartungstechniker behoben werden.

Die Maschine ist für die Wartung zu einem unabhängigen RIDGID Kundendienst-Center zu bringen oder an den Hersteller einzuschicken. Verwenden Sie ausschließlich RIDGID Serviceteile.

Falls Sie Informationen zu einem RIDGID Kundendienst-Center in Ihrer Nähe benötigen oder Fragen zu Service oder Reparatur haben:

- Wenden Sie sich an Ihren örtlichen RIDGID Händler.
- Besuchen Sie RIDGID.com, um einen RIDGID Kontaktpunkt in Ihrer Nähe zu finden.
- Wenden Sie sich an die Abteilung Technischer Kundendienst von Ridge Tool unter rttechservices@emerson.com oder in den USA und Kanada telefonisch unter (800) 519-3456.

Informationen über Gewindeschneidöl

Lesen und befolgen Sie alle Anweisungen auf dem Etikett des Gewindeschneidöls und auf dem Sicherheitsdatenblatt (SDS). Spezifische Informationen über RIDGID Gewindeschneidöle, einschließlich Gefahrenidentifizierung, Erste Hilfe, Brandbekämpfung, Maßnahmen bei versehentlicher Freisetzung, Handhabung und Lagerung, persönliche Schutzausrüstung, Entsorgung und Transport finden Sie auf dem Behälter und im SDS. Das SDS ist auf RIDGID.com verfügbar, oder wenden Sie sich in den USA und Kanada telefonisch an die Abteilung Technischer Kundendienst von Ridge Tool, unter der Nummer (800) 519-3456, eine weitere Möglichkeit ist die Website rttechservices@emerson.com.

Entsorgung

Teile des Kraftantriebs 700 enthalten wertvolle Materialien und können recycelt werden. Hierfür gibt es auf Recycling spezialisierte Betriebe, die u. U. auch örtlich ansässig sind. Entsorgen Sie die Teile entsprechend den örtlich geltenden Bestimmungen. Weitere Informationen erhalten Sie bei der örtlichen Abfallwirtschaftsbehörde.



Für EG-Länder: Werfen Sie Elektrogeräte nicht in den Hausmüll!

Gemäß der Europäischen Richtlinie 2012/19/EG über Elektro- und Elektronik-Altgeräte und ihrer Umsetzung in nationales Recht müssen nicht mehr gebrauchsfähige Elektrogeräte getrennt gesammelt und einer umweltgerechten Wiederverwertung zugeführt werden.

Fehlerbehebung

PROBLEM	MÖGLICHE URSACHEN	LÖSUNG
Maschine läuft nicht.	Bürsten haben keinen Kontakt zum Anker.	Bürsten überprüfen, bei Bedarf ersetzen.
Maschine schneidet kein Gewinde.	Stumpfe Schneidbacken. Überlastung aufgrund ausgerissener oder unrunder Gewinde. Schneidflüssigkeit schlechter Qualität oder zu wenig Schneidflüssigkeit. Unzureichende Leitungsspannung.	Schneidbacken wechseln. Mögliche Gründe siehe unten. Ausreichende Menge RIDGID Gewindec Schneidöl verwenden. Stromversorgungsspannung prüfen.
Dünne Gewinde.	Unzureichender Kontakt zwischen Bürsten und Kollektor Bürsten berühren den Kollektor nicht korrekt. Bürsten unterschiedlicher Hersteller. Neue Bürsten.	Bürstenkappen anziehen und dafür sorgen, dass die Bürste fest auf den Kollektor gedrückt wird. Verschlissene Bürsten und oder Anker ersetzen. Verwenden Sie nur RIDGID Bürsten. Sorgen Sie dafür, dass die Bürsten sich setzen, in dem Sie das Gerät jeweils 15 Minuten vorwärts und rückwärts im Leerlauf laufen lassen.
Schneidkopf schneidet keine Gewinde.	Schneidkopf sitzt nicht gerade auf dem Rohrende. Die Betätigungskraft wirkt nicht korrekt auf den Schneidkopf. Rohrende nicht gerade geschnitten. Stumpfe oder gebrochene Schneidbacken. Maschine dreht in die falsche Richtung. Schneidbacken nicht korrekt in den Schneidkopf eingesetzt.	Drücken Sie gegen die Schneidkopfabdeckplatte, um den Gewindec Schneidvorgang einzuleiten. Die Betätigungskraft muss durch die Mittellinie des Rohrs wirken. Schneiden Sie das Rohrende gerade ab. Schneidbacken wechseln. Maschine in der richtigen Richtung laufen lassen. Vergewissern Sie sich, dass die Schneidbacken außen an den Ösen auf der Abdeckplatte anliegen.
Ausgerissene Gewinde.	Schadhafte, gesplitterte oder verschlissene Schneidbacken. Ungeeignete Schneidflüssigkeit oder zu wenig Schneidflüssigkeit. Falscher Schneidbackentyp für das Material. Minderwertiges Rohrmaterial.	Schneidbacken wechseln. Verwenden Sie nur RIDGID® Gewindec Schneidöl in ausreichender Menge. Verwenden Sie für den Zweck geeignete Hochgeschwindigkeitsschneidbacken aus Edelstahl oder einer Legierung. Verwenden Sie Rohre höherer Qualität.

Fehlerbehebung (Fortsetzung)

Unrunde oder gequetschte Gewinde.	Rohrwanddicke zu gering.	Mindestens Schedule 40 Rohr verwenden.
Stützvorrichtung dreht sich beim Gewindeschneiden.	Backen des Stützarms verschmutzt. Stützarm nicht korrekt ausgerichtet. Stützarm nicht fest.	Mit Drahtbürste reinigen. Den Stützarm gerade am Rohr ausrichten. Schneckenschraube anziehen.
Dünne Gewinde.	Schneidbacken nicht in der richtigen Reihenfolge eingesetzt.	Schneidbacken in den richtigen Schneidkopfschlitz einsetzen.

Power Drive

700



⚠ WAARSCHUWING!

Lees deze handleiding aandachtig voordat u dit gereedschap gebruikt. Het niet begrijpen en naleven van de volledige inhoud van deze handleiding kan resulteren in elektrische schokken, brand en/of ernstig letsel.

700 Power Drive

Noteer het serienummer hieronder en bewaar het serienummer van het product, dat op het typeplaatje is aangegeven.

Serie-
nr.

--

Inhoudsopgave

Registratieformulier voor serienummer van machine	59
Veiligheidssymbolen	61
Algemene veiligheidswaarschuwingen i.v.m. elektrisch gereedschap	61
Veiligheid op de werkplek.....	61
Elektrische veiligheid	61
Persoonlijke veiligheid	62
Gebruik en behandeling van elektrisch gereedschap	62
Onderhoud	63
Specifieke veiligheidsinformatie	63
Veiligheid bij de "Power Drive" aandrijfmachine.....	63
Beschrijving, specificaties en standaarduitrusting	64
Beschrijving	64
Specificaties.....	64
Standaarduitrusting	64
Inspectie vóór gebruik	65
Instelling en bediening	66
Aanbrengen van de draadsnijkoppen.....	67
Weerstand bieden aan de krachten die bij het draadsnijden ontstaan	67
Draadsnijden	68
Schroefdraad inspecteren	69
700 Power Drive – Andere toepassingen	70
Onderhoudsinstructies	70
Reinigen.....	71
Smeren	71
Snijkussens in 12-R-draadsnijkoppen verwisselen	71
De borstels in de motor vervangen.....	71
Optionele uitrusting	72
Opbergen van de machine	72
Onderhoud en reparatie	72
Informatie over de draadsnijolie	72
Afvalverwijdering	72
Problemen oplossen	73
EG-conformiteitsverklaring	Binnenkant achteromslag
Levenslange garantie	Achterflap

*Vertaling van de oorspronkelijke gebruiksaanwijzing

Veiligheidssymbolen

In deze gebruiksaanwijzing en op het product worden veiligheidssymbolen, pictogrammen en bepaalde woorden gebruikt om de aandacht te vestigen op belangrijke veiligheidsinformatie. Dit deel van de tekst wordt gebruikt om het begrip van deze signaalwoorden en symbolen te verbeteren.



Dit is het veiligheidswaarschuwingssymbool. Het wordt gebruikt om uw aandacht te vestigen op een potentieel risico op lichamelijk letsel. Volg alle veiligheidsinstructies achter dit symbool, om mogelijke letsels of dodelijke ongevallen te voorkomen.

⚠ GEVAAR

GEVAAR verwijst naar een gevaarlijke situatie die, als ze niet wordt vermeden, zal resulteren in een ernstig of dodelijk letsel.

⚠ WAARSCHUWING

WAARSCHUWING verwijst naar een gevaarlijke situatie die, als ze niet wordt vermeden, kan resulteren in een ernstig of dodelijk letsel.

⚠ VOORZICHTIG

VOORZICHTIG verwijst naar een gevaarlijke situatie die, als ze niet wordt vermeden, kan resulteren in een licht of matig letsel.

LET OP

LET OP verwijst naar informatie over de bescherming van eigendommen.



Dit pictogram geeft aan dat u de handleiding aandachtig moet lezen voordat u het gereedschap gebruikt. De handleiding bevat belangrijke informatie over de veilige en correcte bediening van het gereedschap.



Dit symbool geeft aan dat u altijd een veiligheidsbril met zijkapjes moet dragen als u dit gereedschap gebruikt of bedient, om het risico op oogletsels te verminderen.



Dit symbool wijst op het risico dat vingers, handen, kledingstukken en andere voorwerpen kunnen worden gegrepen tussen tandwielen of andere draaiende onderdelen, die verbrijzelingsletsels kunnen veroorzaken.



Dit symbool waarschuwt voor het gevaar van een elektrische schok.



Dit symbool geeft aan dat de machine kan omkantelen, waardoor verwondingen door stoten of knellen zouden kunnen ontstaan.



Dit symbool betekent dat men geen handschoenen mag dragen bij het werken met deze machine, om het risico van verstrikking te verkleinen.



Dit symbool betekent dat men altijd een extra steun moet gebruiken om beter te kunnen weerstaan aan de krachten die bij het draadsnijden worden uitgeoefend, om een grotere controle te hebben over het gereedschap en zo het risico op verwondingen te beperken.

Algemene veiligheidswaarschuwingen i.v.m. elektrisch gereedschap*

⚠ WAARSCHUWING

Lees alle instructies en zorg ervoor dat u ze begrijpt. Het niet naleven van een van de onderstaande instructies kan leiden tot elektrische schokken, brand en/of ernstig lichamelijk letsel.

BEWAAR ALLE WAARSCHUWINGEN EN INSTRUCTIES, ZODAT U ZE OOK LATER NOG KUNT RAADPLEGEN!

De term 'elektrisch gereedschap' in de waarschuwingen heeft betrekking op uw op netvoeding werkend elektrisch gereedschap (met snoer) of uw op batterijen werkend (snoerloos) elektrisch gereedschap.

Veiligheid op de werkplek

- **Zorg voor een schone en goed verlichte werkplek.** Op een rommelige of donkere werkplek doen zich gemakkelijker ongevallen voor.
- **Gebruik elektrisch gereedschap niet in een explosieve omgeving, bijvoorbeeld in de aanwezigheid van brandbare vloeistoffen, gassen of stof.**

Elektrisch gereedschap geeft vonken af, die stof of dampen kunnen doen ontbranden.

- **Houd kinderen en omstanders op afstand terwijl u met elektrisch gereedschap werkt.** Als u wordt afgeleid tijdens het werk, kan dit tot gevolg hebben dat u de controle over het gereedschap verliest.

Elektrische veiligheid

- **Stekkers van elektrisch gereedschap moeten passen in de beschikbare stopcontacten. Breng nooit veranderingen aan de stekker aan. Gebruik nooit verloopstekkers in combinatie met (geaard) elektrisch gereedschap. Geaard gereedschap moet worden aangesloten op een correct geïnstalleerd en geaard stopcontact, in overeenstemming met al de geldende wetten en verordeningen. Verwijder de aardpen nooit en breng nooit wijzigingen aan in of aan de stekker. Wanneer u eraan twijfelt of de aarding van een bepaald stopcontact in orde is, laat dit dan nakijken door een gekwalificeerde elektricien.** Het gebruik van ongewijzigde stekkers en de ermee overeenkomende stopcontacten zal het risico op elektrische schokken verminderen.
- **Vermijd lichamelijk contact met geaarde oppervlakken (zoals buizen, radiatoren, fornuizen en koelkasten).** Het risico op elektrische schokken is groter als uw lichaam geaard is.

* De tekst die gebruikt is in het hoofdstuk "Algemene veiligheidswaarschuwingen in verband met elektrisch gereedschap" van deze handleiding, komt (zoals verplicht) woordelijk uit de geldende norm UL/CSA/EN 62841-1. Dit hoofdstuk bevat algemene veiligheidsvoorschriften voor een groot aantal verschillende soorten elektrisch gereedschap. Niet ieder voorschrift geldt voor ieder stuk gereedschap, en sommige zijn niet van toepassing op deze machine.

- **Stel elektrisch gereedschap niet bloot aan regen of vochtige omstandigheden.** Als er water in het elektrisch gereedschap komt, neemt het risico op elektrische schokken toe.
- **Gebruik het snoer alleen waarvoor het bedoeld is. Gebruik het snoer nooit om het gereedschap te dragen of om er de stekker mee uit het stopcontact te trekken. Houd het snoer uit de buurt van warmtebronnen, olie, scherpe randen en bewegende onderdelen. Vervang beschadigde snoeren onmiddellijk.** Een beschadigd snoer vergroot het risico op elektrische schokken.
- **Als u buiten werkt met een elektrisch gereedschap, gebruik dan een met "W-A" of "W" gemarkeerd snoer voor gebruik in open lucht.** Deze snoeren zijn geschikt voor buitengebruik en verminderen het risico op elektrische schokken.
- **Als u gedwongen bent het elektrisch gereedschap op een vochtige plek te gebruiken, moet het elektrische circuit beveiligd zijn met een aardlekschakelaar.** Door het gebruik van een aardlekschakelaar wordt het risico op elektrische schokken beperkt.

Persoonlijke veiligheid

- **Blijf alert, let voortdurend op wat u doet en gebruik uw gezond verstand wanneer u met elektrisch gereedschap aan het werk bent. Gebruik geen elektrisch gereedschap wanneer u moe bent of onder invloed van drugs, alcohol of geneesmiddelen.** Als u ook maar even niet oplet tijdens het gebruik van elektrisch gereedschap, kan dit resulteren in ernstig lichamelijk letsel.
- **Gebruik persoonlijke beschermingsmiddelen. Draag altijd een veiligheidsbril.** Beschermingsmiddelen zoals een stofmasker, veiligheidsschoenen met antislipzolen, een veiligheidshelm en gehoorbeschermingsmiddelen die aan de werkomstandigheden zijn aangepast, verminderen het risico op persoonlijk letsel.
- **Vermijd ongewild starten. Zorg ervoor dat de schakelaar zich in de stand OFF bevindt voordat u de spanning en/of het accupack aansluit of het gereedschap optilt en vervoert.** Gereedschap dragen met de vinger op de schakelaar, of de stroom aanzetten als de schakelaar aan (ON) staat, is vragen om ongevallen.
- **Verwijder eventueel aanwezige stelsleutels en andere sleutels voordat u het elektrisch gereedschap inschakelt.** Een aan een draaiend onderdeel van een elektrisch gereedschap bevestigde sleutel kan persoonlijk letsel veroorzaken.
- **Tracht nooit te ver te reiken. Zorg dat u altijd stevig staat en dat u uw evenwicht niet verliest.** Zo hebt u meer controle over het elektrisch gereedschap als er zich een onverwachte situatie voordoet.
- **Draag geschikte kleding. Draag geen loszittende kledingstukken of sieraden. Houd uw haar en kleding uit de buurt van bewegende onderdelen.** Losse kledingstukken, sieraden of lang haar kunnen worden gegrepen door bewegende onderdelen.
- **Wanneer apparaten voorzien zijn van aansluitingen voor stofafzuiging en -opvang, zorg dan dat die zijn aangesloten en gebruik ze op de voorgeschreven wijze.** Het gebruik van een stofopvangvoorziening kan risico's in verband met stof verkleinen.

Gebruik en behandeling van elektrisch gereedschap

- **Forceer het elektrisch gereedschap nooit. Gebruik het juiste elektrische gereedschap voor uw werkzaamheden.** Het juiste elektrische gereedschap werkt beter en veiliger als u het gebruikt met de snelheid waarvoor het is ontworpen.
- **Gebruik het elektrisch gereedschap niet als u het niet aan (ON) en uit (OFF) kunt zetten met de schakelaar.** Elektrisch gereedschap dat niet in- en uitgeschakeld kan worden met de schakelaar, is gevaarlijk en moet worden gerepareerd.
- **Trek de stekker uit het stopcontact en/of koppel de batterij los van het elektrische gereedschap voordat u afstellingen verricht, accessoires verwisselt of het elektrische gereedschap opbergt.** Deze preventieve veiligheidsmaatregelen verkleinen het risico op het onopzettelijk starten van het elektrisch gereedschap.
- **Bewaar ongebruikt elektrisch gereedschap buiten het bereik van kinderen en laat personen die onbekend zijn met het elektrische gereedschap of met deze instructies er niet mee werken.** Elektrisch gereedschap is gevaarlijk in de handen van onervaren gebruikers.
- **Onderhoud elektrisch gereedschap goed. Controleer op verkeerd aangesloten en vastgelopen bewegende delen, defecte onderdelen en andere omstandigheden die gevolgen kunnen hebben voor de werking van het elektrisch gereedschap. Als het elektrische gereedschap beschadigd is, moet u het laten repareren alvorens u het opnieuw gebruikt.** Veel ongelukken worden veroorzaakt door slecht onderhouden elektrisch gereedschap.
- **Houd snijwerktuigen scherp en schoon.** Goed onderhouden snijwerktuigen met scherpe snijranden zullen minder gemakkelijk blokkeren en zijn gemakkelijker te bedienen.
- **Gebruik het elektrische gereedschap, de accessoires en gereedschapsbits overeenkomstig deze instructies, rekening houdend met de werkomstandigheden en de te verrichten werkzaamheden.** Het gebruik

van elektrisch gereedschap voor andere doeleinden dan de beoogde kan gevaarlijke situaties opleveren.

Onderhoud

- **Laat uw elektrisch gereedschap onderhouden en repareren door een bevoegde onderhoudsmonteur, die uitsluitend identieke vervangingsonderdelen gebruikt.** Zo wordt de veiligheid van het elektrisch gereedschap gewaarborgd.

Specifieke veiligheidsinformatie

⚠ WAARSCHUWING

Dit hoofdstuk bevat belangrijke veiligheidsinformatie die specifiek betrekking heeft op dit gereedschap.

Lees deze voorzorgsmaatregelen aandachtig door voordat u de 700 Power Drive gebruikt, om het risico op elektrische schokken of op ernstig letsel te verminderen.

BEWAAR ALLE WAARSCHUWINGEN EN INSTRUCTIES, ZODAT U ZE OOK LATER NOG KUNT RAADPLEGEN!

Bewaar deze handleiding bij het gereedschap, zodat de gebruiker ze altijd kan raadplegen.

Veiligheid bij de "Power Drive" aandrijfmachine

- **Volg de instructies over het correcte gebruik van deze machine. Lees de instructies en waarschuwingen voor al het gebruikte gereedschap en materiaal – en zorg dat u ze begrijpt – voordat u met de Power Drive aan het werk gaat.** Als u zich niet houdt aan alle waarschuwingen en instructies, kan dit leiden tot materiële schade en/of ernstig lichamelijk letsel.
- **Bij het snijden van schroefdraad op pijpen van 1" (25 mm) of groter, moet er een steunapparaat worden gebruikt om de krachten van het draadsnijden te weerstaan. Gebruik een geschikt steunapparaat in overeenstemming met deze instructies.** Steunapparaten verbeteren de controle en verminderen het risico van stoten, verbrijzelen en/of ander letsel.
- **Wanneer een ander steunapparaat dan de steunarm wordt gebruikt, moet het steunapparaat drukken tegen de motorbehuizing.** Als steunapparaten in contact komen met andere onderdelen, kunnen deze onderdelen daarbij beschadigd worden of wordt het risico op lichamelijk letsel vergroot.
- **Houd de Power Drive aandrijfmachine altijd stevig vast tijdens het snijden van schroefdraad of wanneer de draadsnijknop van de pijp wordt genomen, om de krachten van het draadsnijden te weerstaan, onge-**

acht het steunapparaat dat wordt gebruikt. Dit vermindert het risico van stoten, verbrijzelen en ander letsel.

- **Gebruik de aandrijfmachine niet wanneer de schakelaar kapot is.** Deze schakelaar is een veiligheidsvoorziening waarmee u de motor kunt uitschakelen door de schakelaar los te laten.
- **Draag nooit handschoenen of loszittende kledij als u machines bedient. Zorg dat mouwen en jassen dichtgeknoopt zijn. Ga niet over de machine of pijp hangen.** Kledingstukken kunnen worden gegrepen door de pijp of de machine en verstrikt raken.
- **Eén persoon moet het werkproces en de werking van de machine controleren.** Alleen de gebruiker mag zich in het werkgebied bevinden wanneer de machine in werking is. Op die manier wordt het risico op letsel verminderd.
- **Gebruik geen botte of beschadigde snijkussens.** Scherp snijgereedschap vergt een geringer koppel en de aandrijfmachine is dan gemakkelijker te controleren.
- **Houd handgrepen droog, schoon en vrij van olie en vet.** Hierdoor houdt u meer controle over het apparaat.
- **Houd vloeren droog en vrij van glibberige stoffen zoals olie.** Op glibberige vloeren doen zich sneller ongelukken voor.
- **Gebruik met de RIDGID 700 Power Drive alleen RIDGID snijkoppen. Andere snijkoppen passen mogelijk niet correct in de aandrijfmachine, waardoor er een hoger risico ontstaat op schade aan de apparatuur of persoonlijk letsel.**
- **Wanneer u de machine gebruikt voor andere toepassingen dan degene die in deze handleiding worden beschreven, gebruik dan een steunapparaat om de krachten die op de handgreep werken beter te kunnen weerstaan.** Steunapparaten verbeteren uw controle over het gereedschap en verminderen het risico op stoten, knellen, verbrijzelen en/of ander letsel.

Als u nog vragen hebt over dit RIDGID®-product:

- neem contact op met uw plaatselijke RIDGID®-verdelers.
- ga naar RIDGID.com voor de gegevens van uw lokale RIDGID contactpunt.
- neem contact op met het Ridge Tool Technical Service Department via rtctechservices@emerson.com. In de VS en Canada kunt u ook contact opnemen via het nummer (800) 519-3456.

Beschrijving, specificaties en standaarduitrusting

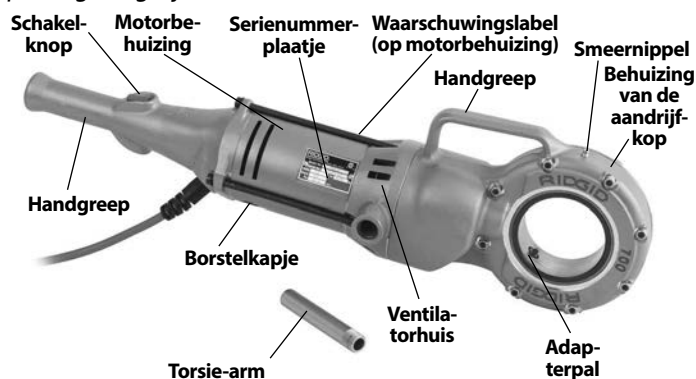
Beschrijving

De RIDGID® Model 700 Power Drive werd ontworpen als aandrijfmachine voor het aanbrengen van schroefdraad op pijpen en leidingen. Met een omkeerschakelaar kunt u kiezen tussen rechts en links draaien.

De aandrijfmachine is ontwikkeld voor het gebruik van de RIDGID 12-R draadsnijkoppen (voor 1/8" – 2" pijp). Met behulp van adapters kunnen ook andere RIDGID draadsnijkoppen (zoals OO-R en 11-R) worden gebruikt.

Bij het schroefdraadsnijden op pijpen met een diameter van 1" of groter, moet een steunapparaat, zoals de nr. 775 Steunarm of de RIDGID 14" zware pijptang is nodig om weerstand te bieden tegen de krachten van het draadsnijden.

De Power Drive aandrijfmachine kan ook worden gebruikt voor de aandrijving van de RIDGID 258 Pipe Cutter (buiszennijder) en voor andere toepassingen, (zie "Andere toepassingsmogelijkheden").



Figuur 1 – Power Drive 700 aandrijfmachine

Specificaties

Draadsnijcapaciteit.....pijp: 1/8" tot 2" (3 tot 50 mm)
 bout: 1/4" tot 1" (6 tot 25 mm)
 met OO-RB snijkoppen

Motor:

Type	universeel, omkeerbaar		
Volt	110	120	220-240
Ampère	13,5	13,5	6,5
Frequentie	50/60 Hz	50/60 Hz	50/60 Hz
Vermogen	1500	1500	1500
Spindelsnelheid:	26–30 omwentelingen per minuut (onbelast)		

Bediening.....omkeerbare tweestandenschakelaar met veerbekrachtigde terugkeer naar de OFF-stand

Aandrijfkop.....gegoten aluminium, overbrenging met rechte tandwielen en kroonwielaandrijving, adapterpallen met veer, spindel van gehard staal

Afmetingen:

Lengte.....	28 1/4" (717 mm)
Breedte	6 1/6" (154 mm)
Hoogte	7 13/16" (198 mm)
Gewicht	25 lbs (11 kg)
Geluidsdruk niveau (L _{PA})**	98,4 dB(A), K=3
Geluidsvermogensniveau (L _{WA})**	107 dB(A), K=3
Trillingen**	2,5 m/s ² K=1,5

* Raadpleeg het serienummerplaatje van uw machine voor de motorgegevens van uw specifieke machine - er bestaan verschillende versies.

** Geluids- en trillingsmetingen worden uitgevoerd in overeenstemming met de gestandaardiseerde test zoals beschreven in de EN 62481-1 norm.

- De gemeten trillingswaarden mogen worden gebruikt voor vergelijkingen met andere werktuigen en voor een voorafgaande evaluatie van de blootstelling.
- Geluids- en trillingsemisatie kan variëren naargelang van de plaats waar u zich bevindt, en het specifieke gebruik dat u van dit gereedschap maakt.
- De dagelijkse blootstellingsniveaus voor geluid en trillingen moeten voor elke toepassing worden geëvalueerd en er moeten passende veiligheidsmaatregelen worden genomen wanneer dat nodig is. Bij de evaluatie van de blootstellingsniveaus moet ook rekening worden gehouden met de tijd dat het gereedschap uitgeschakeld en niet in gebruik is. Dit kan het blootstellingsniveau over de totale werktijd aanzienlijk verminderen.

Standaarduitrusting

De Model 700 Power Drive set bevat de volgende elementen:

- 700 Power Drive aandrijfmachine
- Torsie-arm
- Steunhulpstuk
- Handleiding

Het serienummerplaatje van de 700 Power Drive aandrijfmachine bevindt zich aan de onderzijde van de motorbehuizing. De laatste 4 cijfers verwijzen naar de maand en het jaar van de productie. (12 = maand, 15 = jaar).

RIDGID		Ridge Tool Company, Elyria, Ohio, U.S.A. RIDGID.com	
Model No.	[]		
Serial No.	XXXXXXXXMMYY		
[]	V	~	[]
[]	A	[]	Hz
No	/min Duty	[]	W
[]	[]	[]	[]
		Intertek	

Figuur 2 – Machineserienummer

LET OP Het kiezen van de juiste materialen en installatie-, verbodings- en vormingsmethoden is de verantwoordelijkheid van de systeemontwerper en/of installateur. De keuze van verkeerde materialen en methoden kunnen systeemstoringen veroorzaken.

Roestvrij staal en andere corrosiebestendige materialen kunnen aangetast worden tijdens het installeren, verbinden en vormen. Deze aantasting kan leiden tot corrosie en voortijdige defecten. Alvorens een installatie aan te vatten, moet er een zorgvuldige analyse worden gemaakt van de geschiktheid van de materialen en methoden voor de specifieke bedrijfsvoorwaarden, met inbegrip van de chemische en temperatuurvoorwaarden.

Inspectie vóór gebruik

⚠ WAARSCHUWING



Voor ieder gebruik moet u uw 700 Power Drive aandrijfmachine controleren en eventuele problemen verhelpen om het risico op ernstig letsel door elektrische schokken, knellen en andere oorzaken te verminderen en beschadiging van de machine te voorkomen.

1. Zorg ervoor dat de stekker van de aandrijfmachine uit het stopcontact is getrokken.
2. Verwijder eventueel olie, vet of vuil van de aandrijfmachine en het steunapparaat, (ook van handvatten en bedieningselementen). Dat maakt de inspectie gemakkelijker en helpt voorkomen dat het toestel of een bedieningselement uit uw handen zou schieten.
3. Inspecteer de aandrijfmachine en let daarbij op de volgende punten:
 - beschadiging van of wijzigingen aan snoer en stekker.
 - correcte montage, goed onderhoud en volledigheid.
 - beschadigde, verkeerd uitgelijnde of klemmende onderdelen.

- goede werking van de schakelaar. Ga na of deze goed in de verschillende standen gezet kan worden en niet vastzit.
- aanwezigheid en leesbaarheid van de waarschuwingslabels (Figuur 3).
- elke andere toestand die een veilige en normale werking zou kunnen verhinderen.

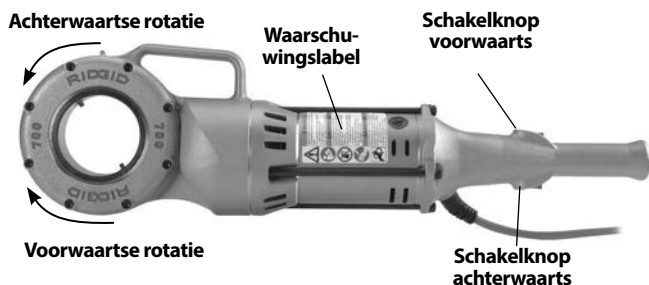
Wanneer u problemen vaststelt, mag u de aandrijfmachine of het steunapparaat niet gebruiken alvorens de problemen zijn verholpen.

4. Inspecteer de steunarm. Controleer dat de gripverandering van de steunarm schoon en in goede staat is. U kunt de verandering zo nodig reinigen met een staalborstel.
5. Controleer de snijranden van de snijkussens op slijtage, vervorming, afschilferingen of andere problemen. Botte of beschadigde snijgereedschappen verhogen de benodigde hoeveelheid kracht, leiden tot schroefdraden van minderwaardige kwaliteit en verhogen het risico op letsels.
6. Inspecteer en onderhoud alle overige gebruikte uitrusting volgens de overeenkomstige instructies, om de correcte werking ervan te verzekeren.
7. Volg de aanwijzingen voor *instelling en bediening* om te controleren of de aandrijfmachine naar behoren werkt.
 - Druk de knop voor VOORWAARTSE rotatie in en laat deze weer los. Doe dit ook voor de knop voor ACHTERWAARTSE rotatie, zoals getoond in *Figuur 3*. Vergewis u ervan dat de aandrijvingsmachine draait zoals getoond in *Figuur 3* en dat werking van de machine met de schakelaar kan worden bediend.

Laat de aandrijfmachine volledig tot stilstand komen voordat u de draairichting omkeert met de F/R-schakelaar. Dit vermindert het risico op schade op de aandrijfmachine.

- Druk de schakelknop in en houd hem ingedrukt. Controleer de bewegende delen op verkeerde uitlijning, vastlopen, vreemde geluiden en andere abnormale omstandigheden. Laat de schakelknop los.

Als de machine niet correct werkt of als enige abnormale toestand wordt vastgesteld, gebruik de machine dan niet tot ze gerepareerd is.



Figuur 3 – Stand van de schakelaar voor het instellen van de draairichting

- Laat de schakelknop los en trek (met droge handen) de stekker uit het stopcontact.

Instelling en bediening

⚠ WAARSCHUWING



Stel de 700 Power Drive in en gebruik de machine volgens de hier beschreven procedures, om het risico op letsel door elektrische schok, verstrikt raken, stoten, knellen, verbrijzelen en andere oorzaken te verminderen en om schade aan de aandrijfmachine te voorkomen.

Bij het snijden van schroefdraad op pijpen van 1" (25 mm) of groter, moet er een steunapparaat worden gebruikt om de krachten van het draadsnijden te weerstaan. Gebruik een geschikt steunapparaat volgens deze instructies. Steunapparaten verbeteren uw controle over het gereedschap en verminderen het risico op stoten, knellen, verbrijzelen en/of ander letsel.

Houd de Power Drive aandrijfmachine altijd stevig vast tijdens het snijden van schroefdraad of wanneer de draadsnijknop van de pijp wordt genomen, om de krachten van het draadsnijden te weerstaan, ongeacht het steunapparaat dat wordt gebruikt. Dat vermindert het risico op stoten, verbrijzelen en ander letsel.

Ondersteun de pijp correct. Dit vermindert het risico op ernstige letsels door het loskomen en vallen van de pijp, of het omkantelen van de machine.

Gebruik de aandrijfmachine nooit als de schakelknop niet werkt zoals het hoort.

Draag nooit handschoenen of loszittende kledij als u machines bedient. Zorg dat mouwen en jassen dichtgeknoopt zijn. Ga niet over de machine of pijp

hangen. Kledingstukken kunnen worden gegrepen door de pijp of de machine en verstrikt raken.

Eén en dezelfde persoon moet zowel het werkproces als de schakelknop bedienen. De machine mag maar door één persoon worden bediend. In geval van verstriking, moet de persoon in kwestie zelf de controle hebben over de schakelknop.

- Controleer de werkplek op:
 - adequate verlichting.
 - brandbare vloeistoffen of dampen die, of stof dat kan ontbranden. Als u deze stoffen aantreft, mag u niet aan het werk gaan voordat de bronnen geïdentificeerd en afgesloten zijn. De aandrijfmachines zijn niet explosie veilig en kunnen vonken veroorzaken.
 - een obstakelvrije, vlakke, stabiele en droge plaats voor alle uitrusting en de gebruiker.
 - goede ventilatie. Niet langdurig gebruiken in krappe, afgesloten ruimten.
 - een correct geïnstalleerd stopcontact met de correcte spanning. Laat het stopcontact in geval van twijfel controleren door een erkende electricien.
 - houd de weg naar het stopcontact vrij van objecten die schade aan het netsnoer kunnen veroorzaken.
- Inspecteer de pijp waarop schroefdraad moet worden aangebracht en ga na of de 700 Power Drive aandrijfmachine het juiste gereedschap is voor het werk. *Zie Specificaties.*

Apparatuur en uitrusting voor andere toepassingen vindt u in de Ridge Tool-catalogus, online op RIDGID.com. In de VS en Canada kunt u ook contact opnemen met Ridge Tool Technical Service door te bellen op (800) 519-3456.
- Zorg ervoor dat de te gebruiken apparatuur en uitrusting correct is geïnspecteerd.
- Bereid de pijp op correcte wijze voor. Zorg ervoor dat de pijp recht is afgesneden en van bramen ontdaan is. Pijpen die onder een hoek zijn afgesneden, kunnen de snijkussens beschadigen tijdens het draadsnijden of problemen veroorzaken bij het aangrijpen van de draadsnijknop.
- Zorg ervoor dat de te snijden pijp stabiel is en beveiligd tegen omkantelen tijdens de bewerking. Gebruik geschikte pijpsteunen om de pijplengte te ondersteunen.
- Controleer het peil van de RIDGID draadsnijolie in het RIDGID 418 koeloliesysteem. Verwijder de spanenbak en ga na of de filterzeef schoon en volledig ondergedompeld is in olie. Vervang de olie of vul deze zo nodig bij. Plaats de emmer van het RIDGID 418 koelolie-

systeem onder het pijpende waarop een draad moet worden gesneden.

Aanbrengen van de draadsnijkoppen

1. Verifieer dat de stekker van de aandrijfmachine uit het stopcontact getrokken is.
2. Duw de 12-R Snijkop of Adapter (zie *Optionele uitrusting*), de kant met de sleuven eerst, recht in de aandrijfmachine tot de geveerde aandrijfpallen goed in de sleuven aangrijpen. (Figuur 4). De snijkop of adapter kan van beide zijden in de aandrijfmachine worden aangebracht. In sommige gevallen kan het nodig zijn om de snijkop wat te verdraaien zodat de pallen in de sleuven kunnen aangrijpen. Bij de 770 en 773 Adapters moet er eerst een snijkop in de adapter worden aangebracht, voordat u de adapter in de Power Drive aandrijfmachine plaatst.
3. Als u de draadsnijkop uit de aandrijfmachine wilt verwijderen, moet u hem er gewoon recht uittrekken. Indien noodzakelijk kunt u gebruik maken van een kunststofhamer of een blok hout om de draadsnijkop er uit te tikken. Niet op de draadsnijkop zelf slaan, dat kan schade aan het gereedschap veroorzaken.



Figuur 4 – Draadsnijkoppen aanbrengen in de Power Drive 700

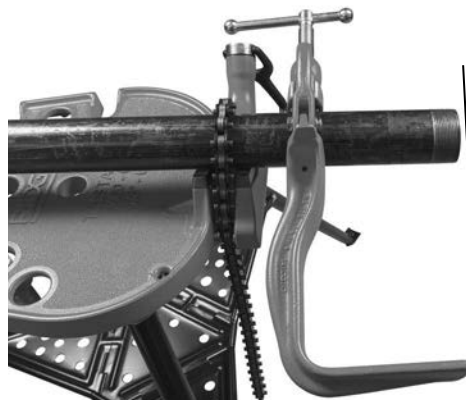
Weerstand bieden aan de krachten die bij het draadsnijden ontstaan (steunhulpmiddelen)

Voor rechtse schroefdraad draait de draadsnijkop rechtsom (als u kijkt naar de voorkant van de draadsnijkop). De krachten die ontstaan door het draadsnijcoppel zullen in tegenovergestelde richting, dus linksom zijn. Rotatie en krachten zijn omgekeerd voor linkse schroefdraad. Zorg ervoor dat het steunapparaat zodanig is aangebracht dat het de draadsnijkrachten correct opvangt en weerstaat.

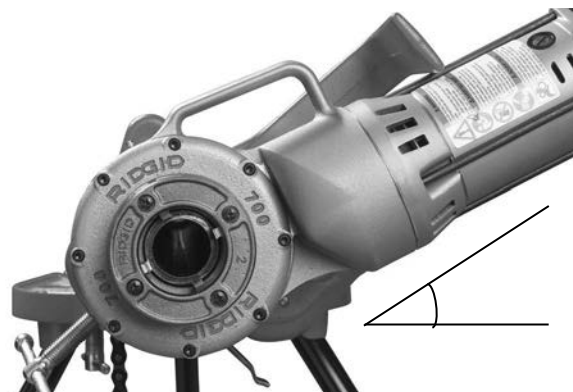
Gebruik van de nr. 775 Steunarm

1. De haak van de steunarm kan zowel naar links als naar rechts wijzend worden aangebracht. Zet de scharnierbout goed vast.

2. Breng de steunarm zodanig op de pijp aan, dat het uiteinde van de steunarm uitgelijnd is met het uiteinde van de pijp en dat de 700 Power Drive aandrijfmachine iets boven horizontaal komt (Figuur 5 en 6). Zo is de steunarm correct aangebracht voor draadsnijden en loopt er geen draadsnijolie langs de aandrijfmachine naar beneden.
3. Zorg ervoor dat de bekken van de steunarm recht uitgelijnd zijn op de pijp en de steunarm stevig vastzetten.



Figuur 5 – Steunarm uitgelijnd met het uiteinde van de pijp

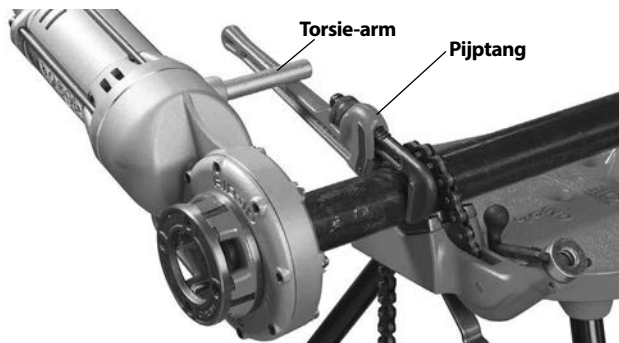


Figuur 6 – Steunarm aangebracht met de 700 Power Drive aandrijfmachine iets boven horizontaal

Met behulp van een RIDGID 12", 14" of 18" heavy-duty-pijptang:

1. Zet de torsie-arm stevig vast op het ventilatorhuis van de 700 Power Drive. U kunt hiervoor ook een 5" (127 mm) lang eindje ½" schedule 80 staalbuis met een ½" NPT-draad gebruiken.
2. Zet de RIDGID 12", 14" of 18" heavy-duty-pijptang op ongeveer 7" (175 mm) van het uiteinde van de pijp (zie Figuur 7). Test even om te voelen of de tang goed vastzit en niet kan bewegen of van de pijp kan loskomen.

- Als u de schroefdraad aansnijdt, zet de torsie-arm zich vast tegen de handgreep van de pijptang.



Figuur 7 – Draadsnijden met een pijptang gebruikt als steunarm

Andere steunmogelijkheden:

Zet de behuizing van de aandrijfmachine (zie Figuur 1) tegen een geschikt steunpunt (bijvoorbeeld een muur, ligger of steunbalk). Daarvoor is wel vereist dat de pijp en het geïmproviseerde steunpunt in de omgeving het gewicht van het gereedschap en de draadsnijkrachten kunnen opvangen. Het kan nodig blijken dat een tijdelijke of permanente extra pijpsteun of ander constructie-element wordt aangebracht om de draadsnijkrachten effectief op te vangen.

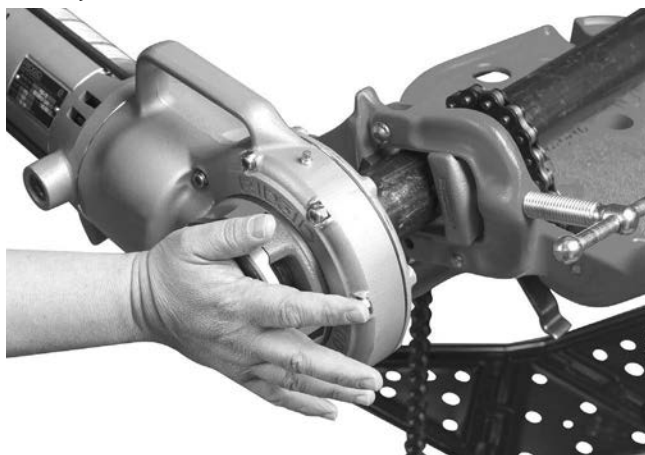
Voor pijp met een diameter van ¾" of kleiner:

Pijp met een nominale diameter van ¾" en kleiner kan worden voorzien van schroefdraad zonder dat hiervoor extra steun nodig is. In dat geval moet de gebruiker zelf de krachten van het draadsnijden weerstaan. De pijp moet correct vastgezet zijn om te voorkomen dat ze mee gaat draaien. Houd de aandrijfmachine altijd stevig vast tijdens het schroefdraadsnijden of wanneer de draadsnijknop van de pijp wordt gedraaid, zodat u weerstand kunt bieden aan de krachten die daarbij ontstaan. Dat vermindert het risico van stoten, knellen, verbrijzelen en ander letsel.

Draadsnijden

- Steek de stekker van de aandrijfmachine (met droge handen!) in het stopcontact.
- Plaats de draadsnijknop over het uiteinde van de pijp en ondersteun de aandrijfmachine zoals aangegeven in de paragraaf "Weerstand bieden aan de krachten die bij het draadsnijden ontstaan". Houd de aandrijfmachine altijd tegen het hulpmiddel dat u als steun gebruikt. Breng geen andere voorwerpen aan tussen de aandrijfmachine en de steun – want hierdoor zou u het risico op verwondingen door knelling en verbrijzeling vergroten.

- Ga in de juiste werkhouding staan om een goede controle over de machine te verzekeren (zie Figuur 9),
 - Zorg ervoor dat u stevig staat en uw evenwicht niet kunt verliezen doordat u te ver moet reiken.
 - Zorg ervoor dat u de machine altijd onder controle heeft en bij de bedieningsknop kunt. Druk nog niet op de schakelknop. In geval van nood moet u in staat zijn om de schakelaar los te laten.



Figuur 8 – De schroefdraad aansnijden

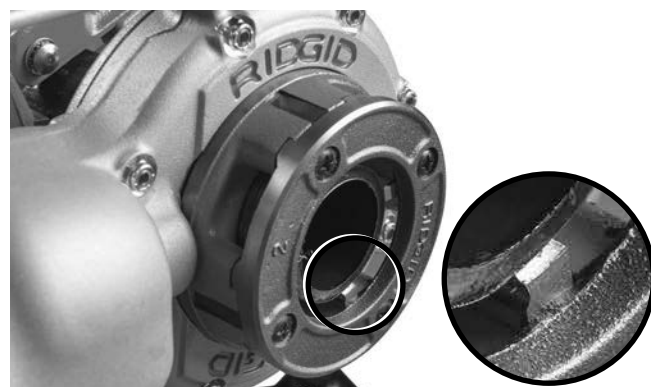
- Om de schroefdraad aan te snijden moet u gelijktijdig op de schakelknop (zie Figuur 3) drukken en met de handpalm van uw vrije hand op de afdekplaat van de snijkop (Figuur 8). Draag geen handschoenen, sieraden en gebruik ook geen poetslap tijdens het aandrukken van de afdekplaat – dat verhoogt het risico van verstrikt raken en letsel. Zodra de snijkussens in de pijp grijpen, worden het schroefdraad gesneden terwijl de snijkussens zich op het pipeind trekken.

Houd het handvat van de aandrijfmachine altijd stevig vast om de krachten op het handvat te weerstaan. Steunapparaten kunnen wegglijden, waardoor de aandrijfmachine kan bewegen. U kunt op elk moment de schakelknop loslaten om de aandrijfmachine UIT te schakelen.



Figuur 9 – Pijpdraad snijden

5. Stop met duwen op de afdekplaat en gebruik het koeloliesysteem om een royale hoeveelheid RIDGID draadsnijolie aan te brengen op het te snijden gebied. Daardoor wordt het draadsnijkoppel verlaagd, de schroefdraadkwaliteit verbeterd en de levensduur van het snijkussen verlengd.
6. Houd de schakelknop ingedrukt tot het uiteinde van de pijp gelijk ligt met de rand van de snijkussens (Figuur 10). Kijk goed uit dat de aandrijfmachine niet tegen de gebruikte steun aanloopt. Laat de schakelknop los. Laat de aandrijfmachine volledig tot stilstand komen.



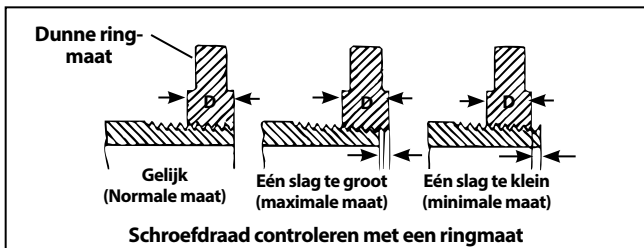
Figuur 10 – Pijp gelijk met de rand van de snijkussens

7. Druk de schakelknop nu de andere kant op, om de snijkop van de pijp met schroefdraad te halen. Houd het handvat van de aandrijfmachine stevig vast om de krachten op het handvat te weerstaan die ontstaan wanneer de snijspanen afbreken en de draadsnijkop van de pijp wordt gedraaid.
8. Laat de schakelknop los en haal de aandrijfmachine en de draadsnijkop van de pijp.
9. Trek (met droge handen!) de stekker van de aandrijfmachine uit het stopcontact.
10. Veeg olie en vuilresten van de schroefdraad en uit de draadsnijkop. Wees voorzichtig om snijwonden door scherpe vuilresten of randen te voorkomen. Verwijder eventuele gemorste olie op de werkplek.

Schroefdraad inspecteren

1. Verwijder olie, snijspanen of vuilresten uit de schroefdraad.
2. Controleer de schroefdraad visueel. Schroefdraad moet glad en volledig zijn, met een goede vorm. Als er problemen worden geconstateerd, zoals kapotte schroefdraad, dunne schroefdraad of een onronde pijp, dan zal de schroefdraad wellicht niet goed afsluiten wanneer de verbinding wordt gemaakt. Zie de tabel "Oplossen van problemen" voor meer informatie.
3. Inspecteer de maat van de schroefdraad. De schroefdraadmaat wordt bij voorkeur gemeten met een ringmaat. Er zijn verschillende soorten ringmaten en het gebruik kan afwijken van de toepassing die wordt getoond in Figuur 11.
 - Schroef de ringmaat handvast op de schroefdraad.
 - Kijk hoever het pijpuiteinde uit de ringmaat steekt. Het uiteinde van de pijp moet vlak aansluiten op de zijkant van de ringmaat, plus of min één slag. Als het meetresultaat niet correct is, verwijder dan het pijpeind met

de schroefdraad, stel de draadsnijkop af en snij een nieuwe schroefdraad. Wanneer een foutieve schroefdraad wordt gebruikt, kan dat lekkage veroorzaken.



Figuur 11 – Schroefdraadmaat controleren

- Wanneer er geen ringmaat beschikbaar is om de schroefdraad te inspecteren, kan om de schroefdraadmaat te meten ook gebruik worden gemaakt van een nieuwe, schone fitting die representatief is voor de fittingen die voor dit werk worden gebruikt. Voor NPT schroefdraden van 2" en kleiner moeten de schroefdraden dusdanig worden gesneden dat een fitting 4 tot 5 slagen kan worden gedraaid tot hij handvast zit; 3 slagen voor BSPT schroefdraden van 2" en kleiner.

700 Power Drive – Andere toepassingen

Deze handleiding bevat specifieke instructies voor het gebruik van de 700 Power Drive aandrijfmachine om schroefdraad te snijden met diverse RIDGID snijkoppen. Voor gebruik met ander RIDGID gereedschap (zoals de RIDGID 258/258XL Power Pipe Cutter elektrische pijpsnijder), moet u bij de instelling en het gebruik van dit gereedschap de erbij geleverde instructies en waarschuwingen in acht nemen.

Ridge Tool kan bij de 700 Power Drive immers onmogelijk specifieke instructies leveren voor elk mogelijk gebruik van de aandrijfmachine. De gebruiker moet elk specifiek werkscenario zelf evalueren en goede praktijkgewoonten en methoden toepassen. Als u ook maar even twijfelt of de 700 Power Drive de geschikte machine is voor een andere toepassing, gebruik de aandrijfmachine dan niet.

Als u de 700 Power Drive gebruikt voor andere toepassingen, neem dan de volgende algemene richtlijnen in acht bij de inschatting en voorbereiding van de werkzaamheden. De 700 Power Drive levert een hoog koppel en daardoor werken er overeenkomstig hoge krachten op de handgreep, die risico's op verwondingen door stoten, knelling of verbrijzeling kunnen meebrengen.

- De RIDGID 774 Aandrijfvierkantadapter kan worden gebruikt om met de 700 Power Drive een 1 $\frac{5}{16}$ " vierkant (mannelijk) te draaien. Breng de adapter stevig aan zodat hij niet loskomt tijdens het gebruik.

- Er moet een geschikte manier worden uitgewerkt om te kunnen weerstaan aan alle krachten die op de handgreep worden uitgeoefend (zie de paragraaf "Weerstand bieden aan de krachten die bij het draadsnijden ontstaan"). Die kracht kan oplopen tot meer dan 1000 lbs (455 kg). Steunhulpmiddelen kunnen tegen de motorbehuizing of het ventilatorhuis van de 700 Power Drive aandrijfmachine worden geplaatst (Figuur 1).
- Houd de aandrijfmachine altijd tegen het hulpmiddel dat u als steun gebruikt – zorg ervoor dat er nooit lichaamsdelen tussen de aandrijfmachine en de steun zitten.
- Tijdens het gebruik van de aandrijfmachine mogen de machine en het steunhulpmiddel niet bewegen ten opzichte van elkaar.
- Controleer of de aandrijving bij de toepassing (bijvoorbeeld het bedienen of herhaaldelijk openen en sluiten van een klep) vrij kan draaien en op geen enkele manier wordt geblokkeerd. Zorg er ook voor dat u weet waar de uiterste standen van de beweging precies zitten. Als het systeem blokkeert of vastzit tijdens de toepassing, worden de krachten op de handgreep hierdoor ogenblikkelijk veel groter en – nog belangrijker – kan de aandrijfmachine plots gaan rondslingeren.
- Als u de aandrijfmachine gebruikt om kleppen te bedienen of herhaaldelijk te openen en te sluiten, of voor de aandrijving van andere uitrusting, volg daarbij dan steeds alle instructies van de fabrikant van de betreffende uitrusting. Zorg ervoor dat u de aandrijfmachine nooit te zwaar belast.
- Gebruik de 700 Power Drive zodanig dat de reactiekracht van de aandrijfmachine werkt in een richting die van de gebruiker weg gericht is.
- U kunt de schakelknop op elk moment loslaten om de aandrijfmachine meteen uit te schakelen. Zorg er dus voor dat u de knop altijd meteen kunt loslaten.

Onderhoudsinstructies

⚠ WAARSCHUWING

Vergewis u ervan dat de schakelknop is losgelaten en dat de stekker uit het stopcontact is getrokken voordat u onderhoudswerkzaamheden uitvoert of instellingen wijzigt.

Onderhoud de machine in overeenstemming met deze procedures om het risico op verwondingen door elektrische schok, verstrikking of andere oorzaken te beperken.

Reinigen

1. Verwijder na elk gebruik de snijspanen uit de spanenbak van het RIDGID 418 koeloliesysteem en verwijder ook eventuele olieresten.
2. Veeg alle olie, vet en spanen of vuil van de aandrijfmachine. Vergeet daarbij de handgrepen en bedieningselementen niet.
3. Veeg eventuele olie, vet of vuil van de steunarm. Indien nodig moet u de bekken van de steunarm met een staalborstel reinigen.
4. Verwijder spanen en vuil van de draadsnijkoppen.

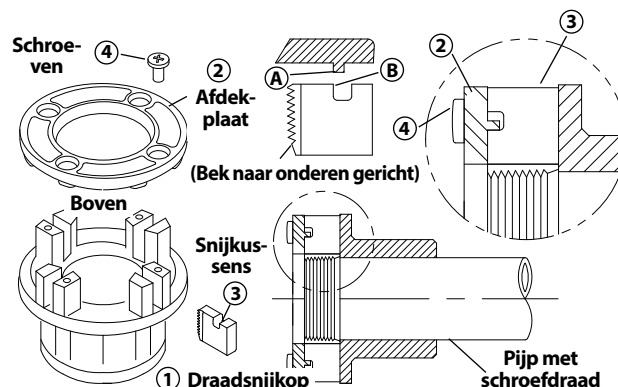
Smeren

Gebruik een vetspuit om Lithium EP (Extreme Pressure) smeervet aan te brengen via de smeernippels op de behuizing van de aandrijfkop (zie *Figuur 1*). Doe dit elke 3 tot 6 maanden, afhankelijk van het gebruik van de machine.

Snijkussens in 12-R-draadsnijkoppen verwisselen

Er zijn vele verschillende snijkussens beschikbaar voor de RIDGID 12-R-draadsnijkoppen. Zie de *catalogus voor de beschikbare snijkussens*.

1. Verwijderen de vier schroeven (4), de afdekplaat (2) en de snijkussens (3) uit de snijkop.
2. Steek nieuwe snijkussens in de sleuven, met de genummerde rand (1, 2, 3, 4) naar boven. De nummers op de snijkussens moeten overeenkomen met de nummers in de snijkopsleuven. Vervang de snijkussens altijd als set.
3. Breng de afdekplaat (2) en de schroeven (4) terug aan en draai de schroeven lichtjes vast.
4. Schroef een pijp met schroefdraad in de snijkop tot de snijkussens beginnen te snijden. Daardoor wordt de aanslag "B" van de snijkussens naar buiten tegen nok "A" op de afdekplaat gedrukt en wordt de schroefdraadmaat correct ingesteld.
5. Draai de vier schroeven stevig vast. Verwijder de gesneden pijp en maak een proefsneede.



Figuur 12 – Snijkussens aanbrengen in de draadsnijkop

De borstels in de motor vervangen

Controleer de motorborstels elke 6 maanden. Vervang ze wanneer ze zijn afgesleten tot minder dan 1/4" (6 mm).



Figuur 13 – Motorborstels inbouwen

1. Trek de stekker van de machine uit het stopcontact.
2. Schroef de borstelkapjes er uit. Verwijder en inspecteer de borstels. Vervang ze wanneer ze zijn afgesleten tot minder dan 1/4" (6 mm). Inspecteer de collector op slijtage. Bij extreme slijtage moet het apparaat worden nagekeken door een vakman.
3. Breng de borstels opnieuw aan/installeer nieuwe borstels.
4. Het beste kunt u het apparaat onbelast 15 minuten rechtsom laten draaien, gevolgd door 15 minuten linksom, zodat de borstels zich voor gebruik kunnen zetten op de collector.

Optionele uitrusting

⚠ WAARSCHUWING

Om het risico op ernstige letsels te beperken, mag u alleen het materiaal gebruiken dat specifiek is ontworpen en aanbevolen voor gebruik met de 700 Power Drive aandrijfmachine (zie de lijst hierna).

Catalogusnr.	Beschrijving
42600	770 Adapter voor 00-R (1/8" - 1") en 00-RB (1/4" - 1")
42605	771 Adapter voor 0-R (1/8" - 1")
42610	772 Adapter voor 11-R (1/8" - 1 1/4")
42615	773 Adapter voor 111-R (1/8" - 1 1/4")
42620	774 Aandrijfvierviertadapter - 15/16"
42625	775 Steunarm
46615	Torsie-arm
42950	B-171-X Metalen draagkoffer
10883	418 Koeloliesysteem met 1 gallon schroefdraadsnijolie
41620	Motorvet voor de aandrijfkop

Meer informatie over de uitrusting en het materiaal dat beschikbaar is voor de 700 Power Drive en dat specifiek voor dit gereedschap is bedoeld, vindt u in de RIDGID catalogus en online op RIDGID.com.

Opbergen van de machine

⚠ WAARSCHUWING De 700 Power Drive aandrijfmachine moet binnenshuis worden opgeborgen of goed afgedekt bij regenweer. Berg de machine op in een afgesloten ruimte, buiten het bereik van kinderen en mensen die niet vertrouwd zijn met de machines. Dit apparaat kan ernstige letsel veroorzaken wanneer het door ondeskundige gebruikers wordt bediend.

Onderhoud en reparatie

⚠ WAARSCHUWING

Gebrekkig onderhoud of een onjuiste herstelling kan het gereedschap gevaarlijk maken om mee te werken.

In het hoofdstuk "Onderhoudsinstructies" worden de meeste onderhoudsbehoeften van dit apparaat behandeld. Eventuele problemen die niet in dat hoofdstuk worden behandeld, mogen uitsluitend worden opgelost door een erkende RIDGID-onderhoudstechnicus.

Het gereedschap moet naar een zelfstandig servicecentrum van RIDGID worden gebracht of teruggestuurd naar de fabriek. Gebruik uitsluitend RIDGID servicedelen.

Voor informatie over het dichtstbijzijnde onafhankelijke RIDGID-servicecenter of eventuele vragen over onderhoud of reparatie:

- neem contact op met uw plaatselijke RIDGID-verdeler.
- ga naar RIDGID.com voor de gegevens van uw lokale RIDGID contactpunt.
- neem contact op met het Ridge Tool Technical Services Department via rtctechservices@emerson.com (of in de VS en Canada via het nummer (800) 519-3456).

Informatie over de draadsnijolie

Lees en volg alle instructies op het label van de snijolie en in het veiligheidsinformatieblad (SDS). Specifieke informatie over de RIDGID draadsnijolie – met inbegrip van identificatie van gevaren, eerste hulp, brandbestrijding, maatregelen bij morsen of lekkage, behandeling en opslag, persoonlijke beschermingsmiddelen, afvalverwijdering en transport – staat vermeld op de verpakking en op het veiligheidsinformatieblad (SDS). Het veiligheidsinformatieblad (SDS) is beschikbaar via RIDGID.com. Eventueel kunt u rechtstreeks contact opnemen met het Ridge Tool Technical Services Department via rtctechservices@emerson.com (of in de VS en in Canada via het nummer (800) 519-3456).

Afvalverwijdering

Bepaalde delen van de 700 Power Drive aandrijfmachine bevatten waardevolle materialen en kunnen worden gerecycled. Een bedrijf dat gespecialiseerd is in recycling vindt u ongetwijfeld ook bij u in de buurt. Verwijder de onderdelen in elk geval in overeenstemming met de geldende wet- en regelgeving. Neem contact op met uw plaatselijke afvalverwijderingsinstantie voor nadere informatie.



In EU-landen: Gooi elektrische gereedschappen niet bij het huisvuil!

Conform Europese Richtlijn 2012/19/EU betreffende afgedankte elektrische en elektronische apparatuur en de ratificatie daarvan op landelijk niveau, moet elektrische apparatuur die niet meer bruikbaar is, afzonderlijk worden ingezameld en op milieuvriendelijke wijze worden afgevoerd.

Problemen oplossen

PROBLEEM	MOGELIJKE REDENEN	OPLOSSING
Machine draait niet.	Borstels raken het anker niet.	Controleer de borstels en vervang ze indien versleten.
Machine kan geen schroefdraad snijden.	Snijkussens zijn bot.	Vervang snijkussens.
	Overbelasting als gevolg van kapot of onrond schroefdraad.	Zie mogelijke redenen hieronder.
	Onvoldoende draadsnijolie of olie van slechte kwaliteit.	Gebruik uitsluitend een voldoende hoeveelheid RIDGID draadsnijolie.
	Onvoldoende spanning op het lichtnet.	Controleer de elektrische spanning.
Te dunne schroefdraad.	Onvoldoende contact tussen borstels en collector.	Draai de borstelkapjes goed aan om ervoor te zorgen dat de borstels stevig tegen de collector worden aangedrukt.
	Borstels maken geen goed contact met de collector.	Vervang versleten borstels en/of anker.
	Borstels van een andere fabrikant.	Gebruik uitsluitend RIDGID borstels.
	Nieuwe borstels.	Laat de borstels zich zetten door het apparaat onbelast 15 minuten rechtsom en linksom te laten draaien.
Draadsnijkop snijdt de schroefdraad niet aan.	Draadsnijkop staat niet haaks op het uiteinde van de pijp.	Duw tegen de afdekplaat van de snijkop om de schroefdraad aan te snijden.
	Aangrijpkracht niet correct uitgeoefend op de draadsnijkop.	Oefen aangrijpkracht uit door de middellijn van de pijp.
	Pijpuiteinde niet haaks afgesneden.	Snij het pijpuiteinde haaks af.
	Botte of kapotte snijkussens.	Vervang snijkussens.
	Machine draait in de verkeerde richting.	Laat de machine in de correcte richting draaien.
	De snijkussens zijn verkeerd in de draadsnijkop aangebracht.	Zorg ervoor dat de snijkussens naar buiten tegen de nokken van de afdekplaat gedrukt zitten.
Kapotte schroefdraad.	Beschadigde, afgeschilferde of versleten snijkussens.	Vervang snijkussens.
	Verkeerde of onvoldoende draadsnijolie.	Gebruik uitsluitend een voldoende hoeveelheid RIDGID® draadsnijolie.
	Verkeerd type snijkussen voor het materiaal.	Selecteer sneldraaistalen, RVS- of gelegerde snijkussens die geschikt zijn voor de toepassing.
	Slecht pijpmateriaal of materiaal van slechte kwaliteit.	Gebruik beter pijpmateriaal.

Problemen oplossen (vervolg)

<p>On rond of geplet schroefdraad.</p>	<p>Pijpwand is te dun.</p>	<p>Gebruik schedule 40 of grotere wanddikten.</p>
<p>Steunapparaat draait tijdens het draadsnijden.</p>	<p>Bekken van de steunarm zijn vuil. Steunarm niet correct uitgelijnd. Steunarm niet voldoende stevig bevestigd.</p>	<p>Reinig met een staalborstel. Lijn de steunarm recht uit met de pijp. Draai de aanzetschroef vast.</p>
<p>Te dunne schroefdraad.</p>	<p>Snijkussens niet in de juiste volgorde geplaatst.</p>	<p>Plaats de snijkussens in de juiste snijkoppenseufl.</p>

Filettrice

700



⚠ AVVERTENZA!

Leggere attentamente il Manuale dell'operatore prima di usare questo attrezzo. La mancata osservanza delle istruzioni contenute nel presente manuale può comportare il rischio di scosse elettriche, incendi e/o gravi lesioni personali.

Filettrice 700

Annotare nella casella sottostante il Numero di serie così come appare sulla targhetta del nome.

Num.
di serie

--	--

Indice

Modulo per la registrazione del numero di serie del prodotto	75
Simboli di sicurezza	77
Avvertenze di sicurezza generali dell'attrezzo elettrico	77
Sicurezza nell'area di lavoro.....	77
Sicurezza elettrica	77
Sicurezza personale.....	78
Utilizzo e cura dell'attrezzo elettrico	78
Manutenzione	78
Informazioni specifiche di sicurezza	79
Sicurezza della filettatrice.....	79
Descrizione, Specifiche e Dotazione standard	79
Descrizione	79
Specifiche.....	80
Dotazione standard	80
Ispezione prima dell'uso	81
Configurazione e Funzionamento	81
Installazione delle Teste portapettini.....	82
Resistenza alle forze di filettatura.....	82
Filettatura	83
Ispezione delle filettature.....	85
Filettatrice 700 – Altri utilizzi	85
Istruzioni di manutenzione	86
Pulizia.....	86
Lubrificazione	86
Sostituzione dei Pettini nelle Teste portapettini 12-R.....	86
Sostituzione delle spazzole nel motore	86
Apparecchiature opzionali	87
Stoccaggio della macchina	87
Manutenzione e Riparazione	87
Informazioni sull'olio da taglio della filettatura	87
Risoluzione dei problemi	88
Smaltimento	88
Dichiarazione di conformità CE	Coperchio posteriore interno
Garanzia a vita	Quarta di copertina

*Traduzione delle istruzioni originali

Simboli di sicurezza

Nel presente manuale dell'operatore e sul prodotto, i simboli di sicurezza e le indicazioni scritte vengono utilizzati per comunicare importanti informazioni di sicurezza. Questa sezione serve a migliorare la comprensione di tali indicazioni e simboli.



Questo è un simbolo di avviso di sicurezza. Viene utilizzato per avvertire l'utente di potenziali pericoli di lesioni personali. Rispettare tutti i messaggi che presentano questo simbolo per evitare possibili lesioni anche letali.

▲ PERICOLO

PERICOLO indica una situazione pericolosa che, se non evitata, provoca la morte o gravi lesioni.

▲ AVVERTENZA

AVVERTENZA indica una situazione pericolosa che, se non evitata, può provocare la morte o gravi lesioni.

▲ PRECAUZIONE

PRECAUZIONE indica una situazione pericolosa che, se non evitata, può causare lesioni lievi o moderate.

AVVISO

AVVISO indica informazioni relative alla protezione della proprietà.



Questo simbolo significa che occorre leggere il manuale attentamente prima di usare l'apparecchiatura. Il manuale dell'operatore contiene informazioni importanti sull'uso sicuro e appropriato dell'apparecchiatura.



Questo simbolo significa che occorre indossare sempre gli occhiali protettivi con schermi laterali o una maschera quando si usa l'apparecchiatura per ridurre il rischio di lesioni agli occhi.



Questo simbolo indica il rischio che dita, mani, indumenti e altri oggetti si impiglino tra o negli ingranaggi o altre parti rotanti e provochino lesioni da schiacciamento.



Questo simbolo indica il rischio di scosse elettriche.



Questo simbolo indica il rischio di ribaltamento della macchina, con conseguente contusione o schiacciamento.



Questo simbolo indica che non è opportuno indossare i guanti durante l'azionamento di questa macchina per ridurre il rischio di intrappolamento.



Questo simbolo indica che è necessario usare sempre un dispositivo di supporto per facilitare la resistenza alle forze di filettatura, migliorare il controllo e ridurre il rischio di lesioni.

Avvertenze di sicurezza generali dell'attrezzo elettrico*

▲ AVVERTENZA

Leggere e comprendere tutte le istruzioni. La mancata osservanza delle istruzioni può causare folgorazione, incendi e/o lesioni gravi.

CONSERVARE TUTTE LE AVVERTENZE E LE ISTRUZIONI PER UNA SUCCESSIVA CONSULTAZIONE!

Il termine «attrezzo elettrico» nelle avvertenze si riferisce all'attrezzo alimentato a corrente (mediante un cavo) o a batteria (senza cavo).

Sicurezza nell'area di lavoro

- **Mantenere l'area di lavoro pulita e ben illuminata.** Aree disordinate o al buio favoriscono gli incidenti.
- **Non utilizzare attrezzi elettrici in ambienti esplosivi, come in presenza di liquidi, gas o polveri infiammabili.** Gli attrezzi elettrici producono scintille che possono incendiare la polvere o i fumi.
- **Tenere i bambini e gli estranei lontani quando si utilizzano gli attrezzi.** Qualunque distrazione può farne perdere il controllo.

Sicurezza elettrica

- **Le spine degli attrezzi elettrici devono coincidere con le prese. Non modificare la spina in alcun modo. Non usare adattatori con attrezzi elettrici con messa a terra (collegati a massa). La spina degli attrezzi elettrici con messa a terra deve essere inserita in una presa installata correttamente e collegata a terra in conformità con tutte le normative e i codici vigenti. Non rimuovere il polo collegato a terra né modificare la spina in alcun modo. Effettuare il controllo insieme ad un elettricista qualificato se non si è certi che la presa sia correttamente collegata a terra.** L'uso di spine integre nelle prese corrette riduce il rischio di scosse elettriche.
- **Evitare il contatto del corpo con superfici con messa a terra o collegate a massa come tubature, radiatori, fornelli e frigoriferi.** Il rischio di scossa elettrica è maggiore se il corpo è collegato a terra o alla massa.
- **Non esporre l'attrezzo elettrico alla pioggia o all'umidità.** Se penetra dell'acqua in un attrezzo elettrico, aumenta il rischio di scosse elettriche.
- **Fare buon uso del cavo. Non usare mai il cavo per trasportare il dispositivo né tirarlo per staccare la spina da una presa. Mantenere il cavo al riparo dal calore,**

* Il testo usato nella sezione Avvertenze di sicurezza generali dell'attrezzo elettrico di questo manuale è riportato letteralmente, come richiesto, ai sensi dello standard edizione UL/CSA 62841-1 applicabile. Questa sezione contiene le procedure generali di sicurezza per molti tipi differenti di attrezzi elettrici. Non tutte le precauzioni si applicano a ogni attrezzo e alcune non si applicano a questo attrezzo.

dall'olio, dagli spigoli e da parti in movimento. **Sostituire immediatamente i cavi danneggiati.** I cavi danneggiati o aggrovigliati aumentano il rischio di scossa elettrica.

- **Quando si utilizza un attrezzo elettrico all'aperto, usare una prolunga per esterni con la dicitura "W-A" o "W".** Questi cavi sono classificati per utilizzo all'esterno e riducono il rischio di scosse elettriche.
- **Se non si può evitare di usare un attrezzo elettrico in un ambiente umido, usare una presa protetta da un interruttore differenziale (GFCI).** L'uso di un interruttore differenziale (GFCI) riduce il rischio di scosse elettriche.

Sicurezza personale

- **Non distrarsi: prestare attenzione e lavorare con l'attrezzo elettrico usando il buon senso. Non utilizzare gli attrezzi elettrici in caso di stanchezza o sotto l'effetto di droghe, alcool o farmaci.** Un momento di distrazione mentre si usano gli attrezzi elettrici può causare gravi lesioni personali.
- **Usare i dispositivi di sicurezza personale. Indossare sempre protezione per gli occhi.** I dispositivi di sicurezza individuale, come una mascherina per la polvere, calzature antinfortunistiche con suola antiscivolo, casco protettivo e cuffie antirumore, usati secondo le condizioni appropriate, riducono il rischio di lesioni.
- **Evitare accensioni accidentali. Assicurarsi che l'interruttore sia in posizione OFF (SPENTO), prima di collegare l'attrezzo alla presa e/o alla batteria, sollevarlo o trasportarlo.** Il trasporto di attrezzi elettrici con il dito sull'interruttore o il collegamento alla corrente di attrezzi con l'interruttore su ON (ACCESO) favorisce gli incidenti.
- **Rimuovere tutti gli accessori di regolazione prima di accendere l'attrezzo elettrico (ON).** Un accessorio o una chiave lasciata in una parte ruotante dell'attrezzo può causare lesioni personali.
- **Non sporgersi eccessivamente. Mantenere stabilità ed equilibrio in ogni momento.** Questo permette di tenere meglio sotto controllo l'attrezzo in situazioni inattese.
- **Indossare vestiti adatti. Non indossare indumenti ampi o gioielli. Mantenere i capelli, gli indumenti e i guanti lontani dalle parti in movimento.** Gli indumenti ampi, i gioielli o i capelli lunghi possono impigliarsi nelle parti mobili.
- **Se i dispositivi sono dotati di connessione per le strutture di estrazione e raccolta della polvere, controllare che siano collegati e utilizzati correttamente.** L'uso di dispositivi per la raccolta della polvere può ridurre i pericoli derivanti dalla polvere.

Utilizzo e cura dell'attrezzo elettrico

- **Non forzare l'attrezzo elettrico. Usare l'attrezzo adatto al lavoro da svolgere.** L'attrezzo elettrico corretto svolgerà il lavoro in modo migliore e con maggiore sicurezza nelle applicazioni per le quali è stato progettato.
- **Non usare l'attrezzo elettrico se l'interruttore non lo accende o spegne (ON e OFF).** Un attrezzo elettrico che non può essere acceso o spento è pericoloso e dev'essere riparato.
- **Scollegare la spina dalla presa di corrente e/o la batteria dall'attrezzo elettrico prima di regolarlo, di sostituire accessori o di ripararlo.** Tali misure di sicurezza preventive riducono il rischio di accendere l'attrezzo accidentalmente.
- **Conservare gli attrezzi inutilizzati fuori dalla portata dei bambini e non consentire a persone che non abbiano familiarità con l'attrezzo o con queste istruzioni di attivare l'attrezzo.** Gli attrezzi elettrici sono pericolosi nelle mani di utenti inesperti.
- **Manutenzione degli attrezzi elettrici. Controllare che le parti mobili non siano disallineate o bloccate, che non ci siano parti rotte o altre condizioni che possono compromettere il funzionamento dell'attrezzo elettrico. Se appare danneggiato, far riparare l'attrezzo elettrico prima dell'uso.** Molti incidenti sono causati da attrezzi ai quali non è stata eseguita una regolare manutenzione.
- **Mantenere gli attrezzi da taglio affilati e puliti.** Gli attrezzi da taglio sottoposti a regolare manutenzione e ben affilati si incepano di meno e sono più facili da manovrare.
- **Usare l'attrezzo elettrico, gli accessori, le punte, ecc. attenendosi a queste istruzioni, tenendo presenti le condizioni di utilizzo e il lavoro da svolgere.** L'uso dell'attrezzo per operazioni diverse da quelle a cui è destinato può dare luogo a situazioni pericolose.

Manutenzione

- **Fare eseguire la revisione dell'attrezzo elettrico da una persona qualificata che usi soltanto parti di ricambio originali.** Questo garantisce la sicurezza dell'attrezzo elettrico.

Informazioni specifiche di sicurezza

⚠ AVVERTENZA

Questa sezione contiene importanti informazioni di sicurezza specifiche per questo attrezzo.

Leggere attentamente queste precauzioni prima di utilizzare la Filettratrice 700, al fine di ridurre il rischio di scosse elettriche, contusione, schiacciamento o altre gravi lesioni.

CONSERVARE TUTTE LE AVVERTENZE E LE ISTRUZIONI PER UNA SUCCESSIVA CONSULTAZIONE!

Conservare il presente manuale con l'apparecchiatura per consentirne la consultazione all'operatore.

Sicurezza della filettratrice

- **Seguire le istruzioni sul corretto uso di questa macchina. Prima di utilizzare la filettratrice, leggere e capire le istruzioni e le avvertenze per tutte le apparecchiature e i materiali usati.** La mancata osservanza di tutte le istruzioni e avvertenze può causare danni alla proprietà e/o serie lesioni personali.
- **Quando si effettua la filettatura di tubi da 1" (25 mm) o più grandi, utilizzare un dispositivo di supporto per resistere alle forze di filettatura. Utilizzare un opportuno dispositivo di supporto, in conformità con queste istruzioni.** I dispositivi di supporto migliorano il controllo e riducono il rischio di contusione, schiacciamento e/o altre lesioni.
- **Quando si utilizza un dispositivo di supporto diverso dalla staffa di supporto, il dispositivo deve reagire contro l'alloggiamento del motore.** I dispositivi di supporto a contatto con altre parti potrebbero danneggiare le parti della macchina o aumentare il rischio di lesione.
- **Afferrare sempre ben saldamente la filettratrice quando si effettua la filettatura o si rimuove la testa portapettini dal tubo per resistere alle forze di filettatura, a prescindere dall'utilizzo della staffa di supporto.** Questa procedura ridurrà il rischio di contusione, schiacciamento e altre lesioni.
- **Non usare questa filettratrice se il pulsante di avvio è rotto.** Questo interruttore è un dispositivo di sicurezza che consente di spegnere il motore rilasciando l'interruttore.
- **Non indossare guanti o abiti larghi quando si utilizzano le macchine. Tenere maniche e giacche allacciate. Non sporgersi sulla macchina o sul tubo.** Gli indumenti possono essere afferrati dal tubo o dalla macchina e rimanere impigliati.

- **Una persona deve controllare il processo di lavoro e il funzionamento della macchina.** Quando la macchina è in funzione nell'area di lavoro deve essere presente solo l'operatore. Ciò contribuisce a ridurre il rischio di lesioni.
- **Non usare stampi smussati o danneggiati.** Gli attrezzi da taglio affilati richiedono meno coppia e la filettratrice è più facile da controllare.
- **Assicurarsi che le impugnature siano asciutte, pulite e prive di olio e grasso.** Questo consente di controllare meglio l'attrezzo.
- **Mantenere i pavimenti asciutti e liberi da materiali scivolosi come l'olio.** I pavimenti scivolosi favoriscono gli incidenti.
- **Utilizzare soltanto le teste portapettini RIDGID con la Filettratrice 700 RIDGID; altre teste portapettini potrebbero non adattarsi correttamente al motore ed aumentare il rischio di danni all'apparecchiatura e di lesioni personali.**
- **Quando si utilizza il prodotto per applicazioni diverse da quelle descritte nel presente manuale, utilizzare un dispositivo di supporto per resistere alle forze dell'impugnatura.** I dispositivi di supporto migliorano il controllo e riducono il rischio di contusione, schiacciamento e/o altre lesioni.

Per qualsiasi domanda su questo prodotto RIDGID®, vedere in basso:

- Contattare il proprio distributore RIDGID®.
- Visitare il sito web www.RIDGID.com per trovare il punto di contatto RIDGID più vicino.
- Contattare il Reparto Assistenza Tecnica Ridge Tool inviando un'e-mail all'indirizzo rtctechservices@emerson.com, oppure, negli Stati Uniti e in Canada, chiamare il numero verde (800) 519-3456.

Descrizione, Specifiche e Dotazione standard

Descrizione

La Filettratrice modello 700 RIDGID® è stata progettata per fornire trasmissione per la filettatura di tubi e condotti. La rotazione Avanti e Indietro può essere selezionata con un interruttore reversibile.

La Filettratrice è stata progettata per l'utilizzo con le Teste portapettini 12-R RIDGID (per tubi a 1/8" a 2") Altre teste portapettini RIDGID, come la OO-R e la 11-R, possono essere utilizzate con gli adattatori.

Quando si effettua la filettatura di tubi da 1" o più grandi, usare un dispositivo di supporto, come la Staffa di supporto n. 775, oppure è necessaria una chiave inglese per tubi pesante da 14" RIDGID per resistere alle forze di filettatura.

La filettatrice può anche essere usata per alimentare il Tagliatubi 258 RIDGID e per altre applicazioni, (vedere "Altri utilizzi").



Figura 1 – Filettatrice modello 700

Specifiche

Capacità di filettaturaTubo da 1/8" a 2" (da 3 a 50 mm)
 Bullone da 1/4" a 1" (da 6 a 25 mm)
 con Testa portapettini 00-RB

Motore:

Tipo.....	Universale, Reversibile		
Volt.....	110	120	220-240
Ampere.....	13,5	13,5	6,5
Frequenza.....	50/60 Hz	50/60 Hz	50/60 Hz
Alimentazione.....	1500	1500	1500

Velocità operativa.....26-30 giri/min., A vuoto

Comandi.....Interruttore reversibile a due vie con ritorno a molla sulla posizione OFF (SPENTO)

TrasmissioneAlluminio pressofuso, Ingranaggio con fronte a riduttore a ruota dentata, Nottolini di blocco teste portapettini caricati a molla, Albero in acciaio forgiato e cementato.

Dimensione:

Lunghezza.....	28 1/4" (717 mm)
Larghezza.....	6 1/16" (154 mm)
Altezza.....	7 13/16" (198 mm)
Peso.....	25 libbre (11 kg)

Pressione sonora (L_{PA})**98,4 dB(A), K=3

Pressione sonora (L_{WA})**107 dB(A), K=3

Vibrazione**2,5 m/s². K=1,5

* Fare riferimento alla targhetta con il numero di serie della propria macchina per le informazioni sul motore della specifica macchina – Sono disponibili altre versioni.

** Le misurazioni della vibrazione e del suono nella presente dichiarazione sono state effettuate in conformità con un test standardizzato conforme allo Standard EN 62481-1.

- I livelli di vibrazione possono essere utilizzati per il confronto con altri attrezzi e per la valutazione preliminare dell'esposizione.

- Le emissioni sonore e della vibrazione potrebbero variare in base all'ubicazione dell'utente e all'uso specifico di questi attrezzi.

- I livelli di esposizione quotidiana per il suono e la vibrazione devono essere valutati per ciascuna applicazione e devono essere prese opportune misure di sicurezza, se necessario. La valutazione dei livelli di esposizione deve prendere in considerazione il periodo di tempo in cui l'attrezzo è spento e non viene utilizzato. uesto calcolo potrebbe ridurre significativamente il livello di esposizione per l'intero periodo di lavoro.

Dotazione standard

La Filettatrice modello 700 viene fornita con la seguente dotazione:

- Filettatrice 700
- Kit ferma-cavo
- Dispositivo di supporto
- Manuale dell'operatore

La piastra del numero di serie della macchina Filettatrice 700 si trova sul fondo dell'alloggiamento del motore. Le ultime 4 cifre indicano il mese e l'anno di produzione. (12 = mese, 15 = anno).

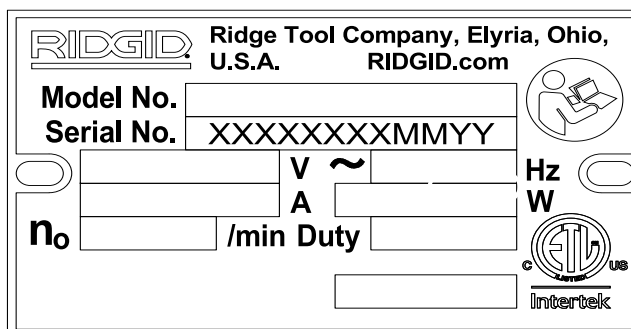


Figura 2 – Numero di serie della macchina

AVVISO La selezione degli opportuni materiali e dei metodi di installazione, accoppiamento e curvatura sono a carico del progettatore e/o dell'installatore del sistema. La selezione di metodi e materiali impropri potrebbe causare il guasto del sistema.

L'acciaio inossidabile e gli altri materiali resistenti alla corrosione possono essere contaminati durante l'installazione, l'accoppiamento e la curvatura. Questa contaminazione può causare corrosione e rottura prematura dei tubi. Prima di accingersi a qualsiasi installazione deve essere completata un'attenta valutazione di materiali e metodi per le condizioni di servizio specifiche, compresi quelli chimici e della temperatura.

Ispezione prima dell'uso

⚠ AVVERTENZA



Prima di ciascun uso, esaminare la Filettratrice 700 e correggere gli eventuali problemi, per ridurre il rischio di gravi lesioni dovuto a scosse elettriche, lesioni da schiacciamento e altre cause, e per evitare danni al motore.

1. Accertarsi che il motore sia disconnesso.
2. Rimuovere l'olio, il grasso o lo sporco dal motore e dal dispositivo di supporto, comprese le impugnature e i comandi. Questo facilita l'ispezione e impedisce che la macchina o il comando scivolino dalle mani dell'operatore.
3. Ispezionare la filettratrice per:
 - Presenza di danni o modifiche al cavo e alla spina.
 - Assemblaggio, manutenzione e allestimento adeguati.
 - Parti danneggiate, male allineate o bloccate.
 - Corretto funzionamento dell'interruttore. Confermare che passi da una fase all'altra senza intralci e che non si incastri.
 - Presenza e leggibilità delle etichette di avvertenza (Figura 3).
 - Qualsiasi altra condizione tale da impedire il funzionamento normale e sicuro.

In caso di problemi, non utilizzare il motore finché tali problemi non siano stati risolti.

4. Esaminare la staffa di supporto. Accertarsi che le morse di serraggio siano pulite e in buone condizioni. Le morse possono essere pulite con una spazzola metallica.
5. Esaminare i profili di filettatura dei pettini per accertarsi che non siano consumati, deformati, scheggiati o che presentino altri problemi. Attrezzi da taglio smussati o danneggiati aumentano la quantità di forza necessaria, producono tagli di scarsa qualità e aumentano il rischio di lesioni.
6. Esaminare e conservare le altre apparecchiature che si stanno utilizzando in base alle istruzioni, per garantire che funzionino correttamente.
7. Seguendo le istruzioni sulla *Configurazione e il Funzionamento*, controllare che la filettratrice funzioni correttamente.
 - Premere e rilasciare l'interruttore per la rotazione in AVANTI e ripetere per la rotazione INDIETRO, come mostrato nella Figura 3. Confermare che la filettratrice ruoti come mostrato nella Figura 3 e che l'interruttore controlli il funzionamento della macchina.

Lasciare che la filettratrice si fermi completamente prima di invertire la direzione con il pulsante di avvio. Questa procedura ridurrà il rischio di danni alla filettratrice.

- Premere e tenere premuto il pulsante di avvio. Ispezionare le parti in movimento per individuare eventuali errori di allineamento, parti bloccate, rumori insoliti o altre condizioni anomale. Rilasciare l'interruttore.

Se la macchina non funziona correttamente o in caso di condizioni anomale, non usare l'apparecchiatura finché non viene riparata.

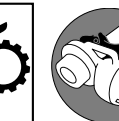
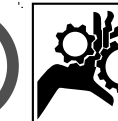


Figura 3 – Posizione dell'interruttore per la Direzione di rotazione

8. Rilasciare il pulsante di avvio e, con le mani asciutte, disconnettere la macchina.

Configurazione e Funzionamento

⚠ AVVERTENZA



Configurare e attivare la Filettratrice 700 seguendo queste procedure per ridurre il rischio di lesioni da scosse elettriche, intrappolamento, contusione, schiacciamento e altre cause, e per evitare di danneggiare la filettratrice.

Quando si effettua la filettatura di tubi da 1" (25 mm) o più grandi, utilizzare un dispositivo di supporto per resistere alle forze di filettatura. Utilizzare un opportuno dispositivo di supporto, in conformità con queste istruzioni. I dispositivi di supporto migliorano il controllo e riducono il rischio di contusione, schiacciamento e/o altre lesioni.

Afferrare sempre ben saldamente il motore quando si effettua la filettatura o si rimuove la testa portapettini dal tubo per resistere alle forze di filettatura, a prescindere dall'utilizzo della staffa di supporto. Questa procedura ridurrà il rischio di contusione, schiacciamento e altre lesioni.

Sostenere adeguatamente il tubo. Questa procedura ridurrà il rischio che il tubo cada e si ribalti, e che si verifichino gravi lesioni.

Non usare la filettratrice senza un pulsante di avvio propriamente funzionante.

Non indossare guanti o abiti larghi quando si utilizzano le macchine. Tenere maniche e giacche allacciate. Non sporgersi sulla filettratrice o sul tubo. Gli indumenti possono essere afferrati dal tubo o dalla macchina e rimanere impigliati.

Una sola persona deve controllare sia il processo di lavoro che il pulsante di avvio. Una sola persona deve operare sulla filettratrice. In caso di intrappolamento, l'operatore deve controllare l'interruttore.

- Controllare l'area di lavoro per individuare:
 - Illuminazione adeguata.
 - Liquidi, vapori o polveri infiammabili. Se presenti, non lavorare nell'area fino a quando non se ne identifichi ed elimini la fonte. I motori non sono a prova di esplosione e possono causare scintille.
 - Postazione libera, piana, stabile e asciutta per tutte le apparecchiature e l'operatore.
 - Buona ventilazione. Non usare a lungo in aree piccole e chiuse.
 - Presa elettrica correttamente messa a terra della tensione corretta. In caso di dubbio, far controllare la presa da un elettricista autorizzato.
 - Percorso sgombro fino alla presa elettrica che non presenti potenziali problemi per il cavo di alimentazione.
- Esaminare il tubo da filettare e i relativi raccordi e confermare che la Filettratrice 700 sia l'attrezzo giusto per il lavoro. *Vedere le Specifiche.*

Apparecchiature per altre applicazioni sono reperibili nel catalogo Ridge Tool, online sul sito web www.RIDGID.com oppure chiamando l'Assistenza tecnica di Ridge Tool negli Stati Uniti e in Canada al numero +1-800-519-3456.
- Accertarsi che l'apparecchiatura da utilizzare sia stata ispezionata adeguatamente.
- Preparare adeguatamente il tubo come necessario. Accertarsi che il taglio del tubo sia ad angolo retto e che il tubo sia stato sbavato. Il tubo tagliato non ad angolo retto può danneggiare i pettini durante la filettatura, o causare difficoltà nell'innesto della testa portapettini.
- Accertarsi che il tubo da filettare sia stabile e ben fissato, per evitare il ribaltamento durante l'uso. Usare opportuni supporti per il tubo a sostegno dell'intera lunghezza del tubo.

- Controllare il livello dell'Olio da taglio per filettatura RIDGID nell'oliatore RIDGID 418. Rimuovere il raccogli-trucioli e verificare che la protezione del filtro sia pulita e interamente immerso nell'olio. Se necessario, sostituire o aggiungere olio. Collocare il secchio dell'Oliatore 418 sotto l'estremità del tubo da filettare.

Installazione delle Teste portapettini

- Accertarsi che la filettratrice sia staccata dalla presa.
- Premere l'Adattatore o la Testa portapettini 12-R (*vedere Apparecchiature opzionali*), iniziando dall'estremità della scanalatura, ad angolo retto nella Filettratrice, fino a quando i nottolini di trasmissione caricati a molla saranno saldamente inseriti nella scanalatura. (*Figura 4*). La testa portapettini o l'adattatore possono essere inseriti in ciascun lato della filettratrice. In alcuni casi, potrebbe essere necessario ruotare le teste portapettini/adattatori per consentire l'inserimento del nottolino. Gli adattatori 770 e 773 devono avere la testa portapettini installata nell'adattatore prima dell'inserimento nella Filettratrice.
- Per rimuovere, tirare la testa portapettini dalla filettratrice ad angolo retto. Se necessario, usare un martello in gomma morbida o un blocco di legno per far uscire la testa portapettini battendola delicatamente. Per evitare di danneggiare l'attrezzo, non colpire duramente la testa portapettini.



Figura 4 – Installazione delle Teste portapettini nella Filettratrice 700

Resistenza alle forze di filettatura (Dispositivi di supporto)

Per le filettature destre, la testa portapettini ruoterà in senso orario (guardando il lato anteriore della Testa portapettini). Le forze sviluppate dalla coppia di filettatura andranno nella direzione opposta o in senso antiorario. La rotazione e la forza saranno invertite per le filettature di sinistra. Accertarsi che il dispositivo di supporto sia stata configurato in modo da assorbire e resistere alla forza di filettatura.

Utilizzo della Staffa di supporto n. 775

1. Il gancio della staffa di supporto può essere assemblato su entrambi i lati. Fissare saldamente il bullone di cerniera.
2. Posizionare la staffa di supporto sul tubo, in modo che l'estremità della staffa sia allineata con l'estremità del tubo e che la Filettrici 700 sia leggermente al di sopra in posizione orizzontale (Figura 5 e 6). Questa procedura consente di collocare correttamente la staffa di supporto per la filettatura e impedisce che l'olio di filettatura scenda fino al motore.
3. Accertarsi che le ganasce della staffa di supporto siano allineate ad angolo retto con il tubo e fissare saldamente la staffa di supporto.

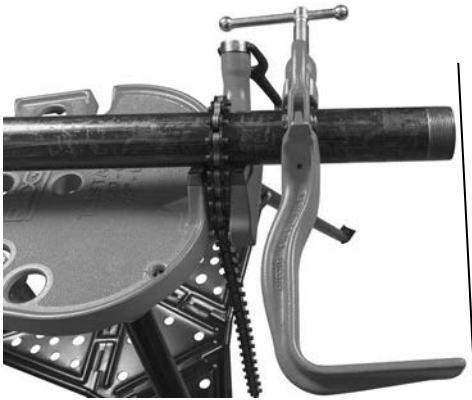


Figura 5 – Staffa di supporto allineata con l'Estremità del tubo

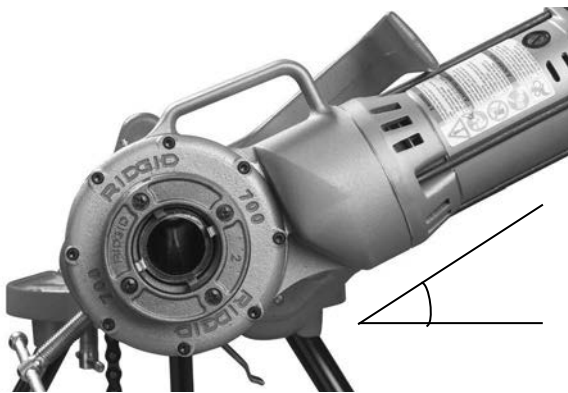


Figura 6 – Staffa di supporto posizionata con la Filettrice 700 leggermente in alto orizzontalmente

Utilizzo della Chiave inglese per tubi pesante da 12", 14" o 18" RIDGID:

1. Installare saldamente il kit ferma-cavo nell'alloggiamento della ventola della Filettrice 700. Può essere utilizzato anche un pezzo lungo 5" (127 mm) del tubo in acciaio 80 della misura 1/2" con una filettatura NPT da 1/2".

2. Collocare la Chiave inglese per tubi pesanti da 12", 14" o 18" RIDGID approssimativamente a circa 7" (175 mm) dall'estremità del tubo (vedere Figura 7). Testare per confermare che la chiave inglese sia sicura e non cada né si muova.
3. Quando si avvia la filettatura, il kit ferma-cavo sarà appoggiato sull'impugnatura della chiave inglese per tubi.

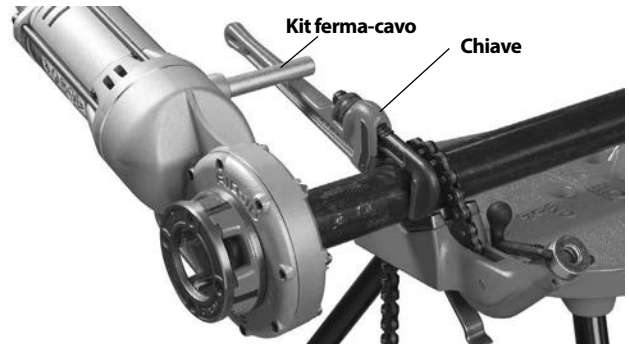


Figura 7 – Filettatura utilizzando la chiave inglese per tubi come staffa di supporto

Altri metodi di supporto:

Collocare l'alloggiamento del motore della filettrice (vedere Figura 1) contro un componente strutturale adiacente (ad esempio, pareti, travi e travetti). Questa procedura richiede che il tubo che deve essere filettato e le aree circostanti siano in grado di sostenere il peso della filettrice e delle forze di filettatura. Potrebbe essere necessario aggiungere supporti per il tubo temporanei o permanenti oppure elementi strutturali in grado di resistere adeguatamente alle forze di filettatura.

Per il diametro dei tubi di 3/4" è più piccolo:

la dimensione nominale del tubo di 3/4" e inferiore può essere filettata senza l'uso di un dispositivo di supporto. In questo caso, l'operatore deve contrastare le forze di filettatura. Per impedire la rotazione, il tubo deve essere saldamente fissato. Afferrare sempre ben saldamente la filettrice quando si effettua la filettatura o si rimuove la testa portapettini dal tubo per resistere alle forze. Questa procedura ridurrà il rischio di contusione, schiacciamento e altre lesioni.

Filettatura

1. Con le mani asciutte, connettere la filettrice alla corrente elettrica.
2. Posizionare la testa portapettini sull'estremità del tubo e supportare la filettrice come indicato nella Sezione Resistenza alle forze di filettatura. Mantenere sempre la filettrice posizionata contro il dispositivo di supporto. Per evitare il rischio di lesioni dovute a intrappolamento e schiacciamento, non collocare alcun oggetto tra la filettrice e il dispositivo di supporto.

3. Assumere una posizione operativa corretta per mantenere più facilmente il controllo della macchina (Vedere Figura 9).

- Mantenere un buon equilibrio senza doversi sporgersi eccessivamente sulla macchina.
- Accertarsi di essere in grado di controllare il pulsante di avvio e la macchina. Non premere ancora l'interruttore. In caso di emergenza, l'operatore deve essere in grado di rilasciare l'interruttore.

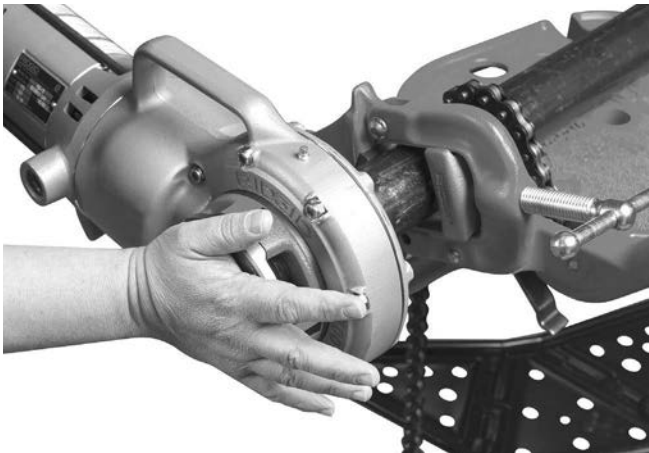


Figura 8 – Avvio della filettatura

4. Attivare simultaneamente il pulsante di avvio (vedere Figura 3) e premere contro la piastra del coperchio della testa portapettini con il palmo della mano libero per avviare la filettatura. (Figura 8). Non indossare guanti, gioielli e non usare un panno mentre si preme sulla piastra del coperchio: tali inaccortezze aumentano il rischio di intrappolamento e lesione. Quando la testa è inserita sul tubo, le filettature inizieranno quando i pettini si tirano autonomamente sull'estremità del tubo.

Afferrare sempre saldamente l'impugnatura della filettatrice per resistere alle forze esercitate sull'impugnatura. I dispositivi di supporto possono scivolare e consentire il movimento della filettatrice. Il pulsante di avvio può essere rilasciato in qualsiasi momento per spegnere (OFF) la filettatrice.



Figura 9 – Filettatura del tubo

5. Smettere di premere sulla piastra del coperchio e usare l'oliatore per applicare un'abbondante quantità di Olio da taglio per filettatura RIDGID sull'area da filettare. Questa procedura abbasserà la coppia di filettatura, migliorerà la qualità della filettatura e aumenterà la durata dei pettini.
6. Mantenere premuto l'interruttore fino a quando l'estremità del tubo sarà allo stesso livello del margine dei pettini (Figura 10). Esaminare per accertarsi che la Filettatrice non si scontri con il dispositivo di supporto. Rilasciare il pulsante di avvio. Lasciare che il motore si arresti completamente.

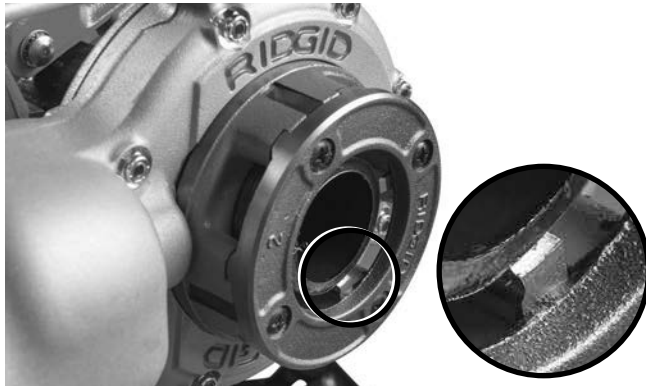


Figura 10 – Tubo allineato rispetto al margine dei pettini

7. Per rimuovere la testa portapettini dal tubo filettato, attivare il pulsante di avvio nella direzione opposta. Trattenere saldamente l'impugnatura della filettatrice per resistere alle forze esercitate sull'impugnatura sviluppate durante la rottura dei trucioli di filettatura e l'estrazione della testa portapettini.
8. Rilasciare l'interruttore e rimuovere la filettatura e la testa portapettini dal tubo.
9. Con le mani asciutte, disconnettere la filettatrice dalla corrente elettrica.
10. Rimuovere l'olio e i trucioli di filettatura dalla testa portapettini, facendo attenzione a non tagliarsi con i trucioli o i margini affilati. Pulire le perdite di olio nell'area di lavoro.

Ispezione delle filettature

1. Rimuovere tutto l'olio, le schegge o i trucioli di filettatura.
2. Ispezionare visivamente la filettatura. Le filettature devono essere lisce e complete, con una buona fattura. Se si riscontrano problemi con le filettature strappate, le filettature sottili o i tubi non rotondi, potrebbe non essere possibile sigillare a tenuta le filettature realizzate. Fare riferimento alla tabella "Risoluzione dei problemi" per assistenza con la diagnosi di questi problemi.
3. Esaminare la dimensione della filettatura. Il metodo preferito di controllo delle dimensioni della filettatura è con un misuratore ad anello. Esistono vari tipi di misuratori ad anello, e il loro utilizzo potrebbe essere diverso da quello mostrato nella *Figura 11*.
 - Avvitare a mano saldamente il misuratore ad anello sulla filettatura.
 - Esaminare fino a che punto l'estremità del tubo si estende lungo il misuratore ad anello. L'estremità del tubo dovrebbe essere a filo con il lato del misuratore, più o meno un giro. Se non è possibile misurare la filettatura correttamente, tagliare la filettatura,

regolare la testa portapettini e eseguire un'altra filettatura. L'utilizzo di una filettatura che non sia possibile verificare correttamente potrebbe causare perdite.

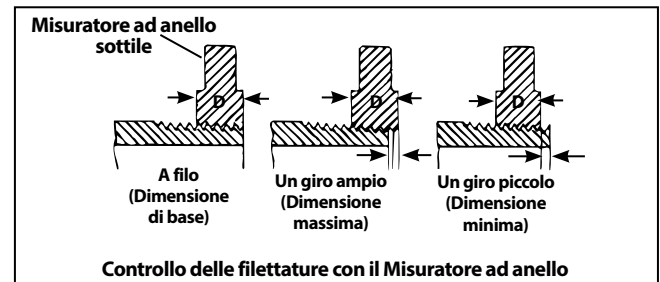


Figura 11 – Controllo della dimensione della filettatura

- Se non si dispone di un misuratore ad anello per verificare la dimensione della filettatura, è possibile usare un raccordo nuovo pulito simile a quelli usati durante il lavoro per misurare la dimensione della filettatura. Per filettature NPT di dimensioni 2" e inferiori, il raccordo deve essere stretto a mano sulla filettatura per 4-5 giri; invece, per le filettature BSPT di 2" e inferiori, deve essere stretto a mano di 3 giri.

Filettatrice 700 – Altri utilizzi

Questo manuale contiene istruzioni specifiche per l'utilizzo della Filettatrice 700 per filettare con varie teste portapettini RIDGID. Quando viene utilizzata con altre apparecchiature RIDGID (come il Tagliatubi motorizzato 258/258XL RIDGID), seguire le istruzioni e le avvertenze fornite con l'apparecchiatura RIDGID in questione per quanto riguarda la corretta configurazione e utilizzo.

Ridge Tool non può fornire istruzioni specifiche per ogni possibile utilizzo della Filettatrice 700. L'utente deve valutare lo specifico scenario di impiego e utilizzare buone prassi e metodi di lavoro. In caso di dubbi sull'utilizzo della Filettatrice 700 per queste altre finalità, evitare di utilizzarla.

Se si utilizza la Filettatrice 700 per altre finalità, valutare attentamente la situazione e prepararsi al lavoro utilizzando le linee guida generali riportate di seguito. La Filettatrice 700 fornirà una coppia elevata e, conseguentemente, alte forze sull'impugnatura che possono causare lesioni da contusioni e schiacciamento.

- L'adattatore di trasmissione quadrato 774 RIDGID può essere utilizzato per adattare la Filettatrice 700 in modo da girare un quadrato da 15/16" maschio. Fissare saldamente l'adattatore per evitare che si stacchi durante l'uso.
- È necessario sviluppare un metodo opportuno per sostenere tutte le forze dell'impugnatura (Vedere la sezione "Resistenza alle forze dell'impugnatura"). Le forze potrebbero superare 1000 libbre (455 kg). I dispositivi

di supporto possono essere collocati contro l'alloggiamento del motore o l'alloggiamento della ventola della Filettatrice 700 (Figura 1).

- Mantenere sempre la filettatrice posizionata contro il dispositivo di supporto – non collocare parti del corpo tra la filettatrice e il dispositivo di supporto.
- Non dovrebbe esistere alcun movimento relativo tra la filettatrice e il dispositivo di supporto durante l'uso.
- Confermare che l'applicazione (come l'azionamento o l'esercitazione di una valvola) sia libera di girare, non inceppata e che la fine della corsa sia conosciuta da entrambi i lati. Se il sistema si inceppa o diventa solido durante l'utilizzo, le forze dell'impugnatura aumenteranno improvvisamente e notevolmente oppure la filettatrice potrebbe ruotare.
- Se si utilizza per esercitare o azionare le valvole o altre apparecchiature, seguire tutte le istruzioni del produttore dell'apparecchiatura. Non sovraccaricare l'apparecchiatura.
- Utilizzare in modo che la forza di reazione della Filettatrice 700 si allontani dall'utente.
- Rilasciare il pulsante di avvio in qualsiasi momento per spegnere la filettatrice. Accertarsi di essere in grado di rilasciare il pulsante di avvio.

Istruzioni di manutenzione

⚠ AVVERTENZA

Assicurarsi che il pulsante di avvio sia rilasciato e che la macchina sia staccata dalla fonte di alimentazione, prima di eseguire qualsiasi operazione di manutenzione o di effettuare regolazioni.

Verificare l'utensile in conformità con queste procedure, per ridurre il rischio di lesioni dovute alle scosse elettriche, all'intrappolamento e ad altre cause.

Pulizia

1. Dopo ciascun uso, smaltire i trucioli della filettatura dal raccogli-trucioli dell'Oliatore 418 e rimuovere i residui di olio.
2. Pulire l'olio, il grasso, i trucioli o lo sporco dalla filettatrice, comprese le impugnature e i comandi.
3. Rimuovere l'olio, il grasso o lo sporco dalla staffa di supporto. Se necessario, pulire le ganasce della staffa di supporto con una spazzola metallica.
4. Rimuovere i trucioli e lo sporco dalle teste portapettini.

Lubrificazione

Usare una pistola per ingrassatore per aggiungere grasso al litio per pressioni estreme (EP, Extreme Pressure) attraverso i raccordi di ingrassaggio sul carter (vedere Figura 1) ogni 3-6 mesi, in base all'utilizzo della macchina.

Sostituzione dei Pettini nelle Teste portapettini 12-R

Sono disponibili vari pettini per l'installazione sulle Teste portapettini 12-R RIDGID. Consultare il catalogo per la disponibilità.

1. Rimuovere le quattro viti (4), la piastra del coperchio (2) e i pettini (3) dalla testa portapettini.
2. Inserire nuovi pettini nelle fessure, con il lato numerato (1, 2, 3, 4) verso l'alto. I numeri sui pettini devono corrispondere ai numeri sulle fessure della testa portapettini. Sostituire sempre i pettini in serie.
3. Installare la piastra del coperchio (2) e le viti (4) e stringere leggermente le viti.
4. Avvitare un'estremità del tubo filettato dentro i pettini fino a quando iniziano a filettarsi. Questa procedura forza l'arresto sui pettini "B" verso l'esterno contro il perno "A" sulla piastra del coperchio e imposta correttamente la dimensione.
5. Serrare le 4 viti saldamente. Rimuovere il tubo filettato ed effettuare una filettatura di prova.

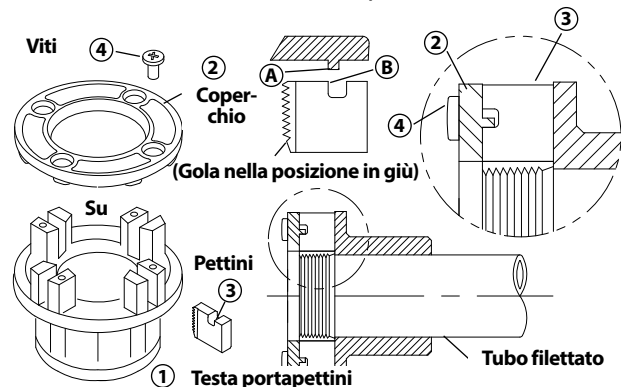


Figura 12 – Installazione dei Pettini nella Testa portapettini

Sostituzione delle spazzole nel motore

Controllare le spazzole del motore ogni 6 mesi. Sostituirle quando sono consumate fino a meno di 1/4" (6 mm).



Figura 13 – Installazione della spazzola

1. Staccare la filettatrice dalla fonte di alimentazione.
2. Svitare i cappucci delle spazzole. Rimuovere e ispezionare le spazzole. Sostituirle quando sono consumate fino a meno di 1/4" (6 mm). Ispezionare il rotore per controllarne l'usura. Se è eccessivamente consumato, far revisionare l'attrezzo.
3. Reinstallazione delle spazzole/installazione di nuove spazzole.
4. Attivare la filettatrice a vuoto per 15 minuti nella direzione in avanti, e quindi attivarla per 15 minuti nella direzione indietro, per far assestare le nuove spazzole del rotore prima del normale utilizzo.

Apparecchiature opzionali

⚠ AVVERTENZA

Per ridurre il rischio di gravi lesioni, usare esclusivamente apparecchiature progettate espressamente e raccomandate per l'uso con la Filettatrice 700, come quelle elencate di seguito.

N. del catalogo	Descrizione
42600	Adattatore 770 per 00-R (1/8" – 1") e 00-RB (1/4" – 1")
42605	Adattatore 771 per 0-R (1/8" – 1")
42610	Adattatore 772 per 11-R (1/8" – 1 1/4")
42615	Adattatore 773 per 111-R (1/8" – 1 1/4")
42620	Adattatore di trasmissione quadrato 774 - 1 5/16"
42625	Staffa di supporto 775
46615	Kit ferma-cavo
42950	Cassetta metallica di trasporto B-171-X
10883	Oliatore 418 con 1 gallone di Olio da taglio della filettatura premium
41620	Grasso per motoriduttori

Ulteriori informazioni sull'apparecchiatura disponibile per la Filettatrice 700 specifiche per l'attrezzo sono reperibili nel Catalogo RIDGID e online sul sito web www.RIDGID.com.

Stoccaggio della macchina

⚠ AVVERTENZA La Filettatrice 700 deve essere conservata all'interno o ben coperta in caso di clima piovoso. Conservare il prodotto in una zona chiusa a chiave, lontano dalla portata dei bambini e delle persone che non hanno familiarità con le macchine. Questa macchina può provocare lesioni molto gravi se adoperata da utenti inesperti.

Manutenzione e Riparazione

⚠ AVVERTENZA

Manutenzione o riparazioni inadeguate possono rendere non sicuro il funzionamento del dispositivo.

Le *Istruzioni di manutenzione* coprono buona parte delle necessità di manutenzione di questa macchina. Gli eventuali problemi non trattati in questa sezione devono essere gestiti da un tecnico di un Centro di Assistenza RIDGID autorizzato.

Rivolgersi esclusivamente a un centro manutenzione autorizzato indipendente RIDGID o al fabbricante. Usare soltanto parti di servizio RIDGID.

Per informazioni sul Centro di Assistenza Indipendente RIDGID più vicino o qualsiasi domanda su manutenzione o riparazione:

- Contattare il proprio distributore RIDGID.
- Visitare il sito web www.RIDGID.com per trovare il punto di contatto RIDGID più vicino.
- Contattare il Reparto Assistenza Tecnica di Ridge Tool inviando una e-mail all'indirizzo rtctechservices@emerson.com oppure, negli Stati Uniti e in Canada, chiamare il numero +1-800-519-3456.

Informazioni sull'olio da taglio della filettatura

Leggere e seguire tutte le istruzioni sull'etichetta dell'olio di filettatura e sul Foglio dei dati di sicurezza (SDS). Informazioni specifiche sugli Oli da taglio delle filettature RIDGID, compresa l'Identificazione dei pericoli, il Pronto soccorso, le Misure antincendio, le Misure contro il rilascio accidentale, il Maneggio e stoccaggio, i Dispositivi di sicurezza personale, lo Smaltimento e trasporto, sono incluse sul contenitore e nell'SDS. L'SDS è disponibile sul sito web www.RIDGID.com o contattando il Reparto Assistenza Tecnica Ridge Tool al numero +1-800-519-3456, negli Stati Uniti e in Canada, o all'indirizzo e-mail rtctechservices@emerson.com.

Smaltimento

Le parti della Filettratrice 700 contengono materiali di valore e possono essere riciclate. Nella propria zona potrebbero esservi aziende specializzate nel riciclaggio. Smaltire i componenti in conformità con tutte le normative in vigore. Contattare l'autorità locale di gestione dello smaltimento per maggiori informazioni.



Per i Paesi CE: non smaltire l'apparecchio elettrico con i rifiuti domestici!

Secondo la Direttiva europea 2012/19/E sullo smaltimento di Apparecchiature elettriche ed elettroniche e la sua implementazione nella legislazione nazionale, le apparecchiature elettriche che non sono più utilizzabili devono essere raccolte separatamente e smaltite in modo ecocompatibile.

Risoluzione dei problemi

PROBLEMA	POSSIBILI CAUSE	SOLUZIONE
La macchina non funziona.	Le spazzole non toccano l'indotto/rotore.	Controllare le spazzole, sostituirle se consumate.
La macchina non è in grado di filettare.	Pettini consumati.	Sostituire i pettini.
	Sovraccarico dovuto a filettature strapate o non rotonde.	Vedere di seguito le ragioni possibili.
	Olio da taglio per filettatura di scarsa qualità o insufficiente.	Utilizzare olio da taglio per filettatura RIDGID in quantità adeguata.
Filettature sottili.	Tensione della linea insufficiente.	Controllare la tensione della fornitura di alimentazione.
	Contatto non sufficiente tra le spazzole e il rotore	Stringere i cappucci delle spazzole per accertarsi che le spazzole siano premute saldamente sul rotore.
	Le spazzole non toccano il rotore adeguatamente.	Sostituire le spazzole consumate e/o il rotore/indotto.
	Spazzole di fabbricazione diversa/non originali.	Usare solo spazzole RIDGID.
	Nuove spazzole.	Posizionare le spazzole attivando l'unità a vuoto per 15 minuti in Avanti e Indietro.

Risoluzione dei problemi (segue)

<p>La Testa portapettini non inizia a filettare.</p>	<p>La testa portapettini non si inquadra con l'estremità del tubo.</p> <p>Forza di innesto non propriamente applicata alla testa portapettini.</p> <p>Taglio dell'estremità del tubo non ad angolo retto.</p> <p>Pettini smussati o rotti.</p> <p>La macchina si attiva nella direzione sbagliata.</p> <p>Pettini impostati erroneamente nella testa portapettini.</p>	<p>Premere contro la piastra del coperchio della testa portapettini per iniziare la filettatura.</p> <p>Applicare la forza di innesto attraverso la linea centrale del tubo.</p> <p>Tagliare l'estremità del tubo ad angolo retto.</p> <p>Sostituire i pettini.</p> <p>Attivare la macchina nella direzione giusta.</p> <p>Accertarsi che i pettini siano rivolti verso l'esterno contro i perni della piastra del coperchio.</p>
<p>Filettature strappate.</p>	<p>Pettini danneggiati, scheggiati o consumati.</p> <p>Olio da taglio per filettatura inadeguato o insufficiente.</p> <p>Tipo di pettine errato per il materiale.</p> <p>Materiale/qualità del tubo scadente.</p>	<p>Sostituire i pettini.</p> <p>Utilizzare solo Olio da taglio per filettatura RIDGID® in quantità adeguata.</p> <p>Selezionare pettini ad alta velocità, in acciaio inox o in lega, idonei per l'applicazione.</p> <p>Usare un tubo di qualità superiore.</p>
<p>Filettature non arrotondate o schiacciate.</p>	<p>La parete del tubo è troppo sottile.</p>	<p>Usare la misura 40 o uno spessore della parete più pesante.</p>
<p>Il dispositivo di supporto gira durante la filettatura.</p>	<p>Ganasce della staffa di supporto sporche.</p> <p>Staffa di supporto non allineata correttamente.</p> <p>Staffa di supporto non tesa.</p>	<p>Pulire con la spazzola metallica.</p> <p>Allineare la staffa di supporto in squadra con il tubo.</p> <p>Stringere la vita di serraggio.</p>
<p>Filettature sottili.</p>	<p>I pettini non sono collocati nell'ordine corretto.</p>	<p>Collocare i pettini nella giusta fessura della testa portapettini.</p>

Propulsor

700



⚠ AVISO!

Leia o Manual do Operador cuidadosamente antes de utilizar esta ferramenta. A não compreensão e a inobservância do conteúdo deste manual pode resultar em choque elétrico, incêndio, e/ou ferimentos pessoais graves.

Propulsor 700

Registre o Número de Série abaixo e retenha o número de série do produto localizado na placa de nome.

N.º
de série

--

Índice

Formulário de registo do número de série da máquina	91
Símbolos de Segurança	93
Avisos de Segurança Gerais para Ferramentas Elétricas	93
Segurança da área de trabalho	93
Segurança Elétrica.....	93
Segurança Pessoal.....	94
Utilização e Manutenção da Ferramenta Elétrica	94
Assistência.....	94
Informações de segurança específicas	95
Segurança do Propulsor.....	95
Descrição, Especificações e Equipamento Padrão	95
Descrição	95
Especificações.....	96
Equipamento padrão	96
Inspeção Antes da Colocação em Funcionamento	97
Configuração e funcionamento	97
Instalar Cabeças de Roscar.....	98
Resistir às forças de roscagem	98
Roscagem	99
Inspeccionar roscas.....	101
Propulsor 700 - Outras utilizações	101
Instruções de manutenção	102
Limpeza.....	102
Lubrificação	102
Substituir tarraxas nas Cabeças de roscar 12-R	102
Substituir escovas no motor.....	102
Equipamento opcional.....	103
Armazenamento da máquina	103
Assistência e reparação	103
Informação do óleo de corte da rosca	103
Eliminação	103
Resolução de problemas	104
Declaração de Conformidade CE.....	Contracapa interior
Garantia vitalícia	Contracapa

*Tradução do manual original

Símbolos de Segurança

Neste manual do operador e no produto são utilizados símbolos de segurança e palavras de advertência para comunicar informações de segurança importantes. Esta secção é fornecida para melhorar a compreensão destas palavras e símbolos de advertência.



Este é o símbolo de alerta de segurança. É utilizado para alertar quanto a potenciais perigos de ferimentos pessoais. Respeite todas as mensagens de segurança que se seguem a este símbolo para evitar possíveis ferimentos ou morte.

⚠ PERIGO PERIGO indica uma situação perigosa que, se não for evitada, resultará em morte ou ferimento grave.

⚠ AVISO AVISO indica uma situação perigosa que, se não for evitada, poderá resultar em morte ou ferimento grave.

⚠ ATENÇÃO ATENÇÃO indica uma situação perigosa que, se não for evitada, poderá resultar em ferimentos ligeiros a moderados.

NOTA NOTA indica informações relacionadas com a proteção de propriedade.



Este símbolo significa que deve ler o manual do operador cuidadosamente antes de utilizar o equipamento. O manual do operador contém informações importantes sobre o funcionamento seguro e adequado do equipamento.



Este símbolo significa que deve utilizar sempre óculos de proteção com proteções laterais, ou viseiras de proteção, ao manusear este equipamento, de forma a reduzir o risco de ferimentos oculares.



Este símbolo indica o risco de dedos, mãos, vestuário ou outros objetos ficarem presos entre as engrenagens ou noutras peças rotativas causando ferimentos por esmagamento.



Este símbolo indica o risco de choque elétrico.



Este símbolo indica o risco da máquina tombar, causando ferimentos por pancada ou esmagamento.



Este símbolo significa que não deve usar luvas durante a utilização desta máquina para reduzir o risco de emaranhamento.



Este símbolo significa que deve sempre utilizar um dispositivo de suporte para ajudar a resistir à força de rosca-gem, melhorar o controlo e reduzir o risco de ferimentos.

Avisos de Segurança Gerais para Ferramentas Elétricas*

⚠ AVISO

Leia e compreenda todas as instruções. A não observância de todas as instruções abaixo indicadas pode resultar em choque elétrico, incêndio e/ou lesões graves.

GUARDE TODOS OS AVISOS E INSTRUÇÕES PARA REFERÊNCIA FUTURA!

O termo "ferramenta elétrica" nos avisos refere-se à sua ferramenta elétrica com ligação à corrente elétrica (com cabo) ou alimentada por bateria (sem cabo).

Segurança da área de trabalho

- **Mantenha a área de trabalho limpa e bem iluminada.** Áreas desarrumadas ou mal iluminadas podem provocar acidentes.
- **Não opere ferramentas elétricas em atmosferas explosivas, como na presença de líquidos inflamáveis, gases ou pó.** As ferramentas elétricas criam faíscas que podem inflamar o pó ou fumos.

- **Mantenha crianças e visitantes fora do alcance enquanto utiliza uma ferramenta elétrica.** As distrações podem fazê-lo perder o controlo.

Segurança Elétrica

- **As fichas das ferramentas elétricas têm de corresponder adequadamente à tomada. Nunca modifique a ficha. Não utilize adaptadores de ficha em ferramentas elétricas com ligação à terra. As ferramentas com ligação à terra devem ser ligadas a uma tomada devidamente instalada e ligada à terra em conformidade com todos os códigos e regulamentos. Nunca remova o espigão de ligação à terra, nem modifique a ficha de qualquer forma. Se tiver dúvidas relativamente à ligação adequada da tomada à terra, confirme com um electricista qualificado.** Fichas não modificadas e tomadas correspondentes irão reduzir o risco de choque elétrico.
- **Evite contacto com superfícies ligadas à terra como tubos, radiadores, fogões e frigoríficos.** Existe risco aumentado de choque elétrico se o seu corpo estiver ligado à terra.
- **Não exponha as ferramentas elétricas à chuva ou humidade.** A entrada de água na ferramenta aumenta o risco de choque elétrico.

* O texto utilizado na secção de Avisos Gerais de Segurança com Ferramentas Elétricas deste manual é literal, conforme exigido pela norma UL/CSA 62841-1 edition aplicável. Esta secção contém práticas de segurança gerais para muitos tipos diferentes de ferramentas elétricas. Nem todas as precauções se aplicam a todas as ferramentas, e algumas não se aplicam a esta ferramenta.

- **Não force o cabo. Nunca utilize o cabo para transportar a ferramenta, nem para puxar a ficha de uma tomada. Proteja o cabo elétrico do calor, óleo, arestas afiadas e peças móveis. Substitua os cabos danificados imediatamente.** Os cabos danificados aumentam o risco de choque elétrico.
- **Ao utilizar uma ferramenta elétrica no exterior, utilize um cabo de extensão de exterior, com a marcação “W-A” ou “W”.** Estes cabos estão classificados para utilização no exterior e reduzem o risco de choque elétrico.
- **Se for inevitável ter de utilizar uma ferramenta elétrica num ambiente húmido, use um corta-circuito em caso de falha na terra (GFCI) protegido.** A utilização de GFCI reduz o risco de choque elétrico.

Segurança Pessoal

- **Mantenha-se alerta, atento ao que está a fazer e use o bom senso ao utilizar uma ferramenta elétrica. Não utilize uma ferramenta elétrica se estiver cansado ou sob a influência de drogas, álcool ou medicamentos.** Um momento de desatenção durante a utilização de ferramentas pode resultar em ferimentos pessoais graves.
 - **Use equipamento de proteção pessoal. Utilize sempre proteção para os olhos.** O equipamento de proteção, como máscaras para o pó, calçado de segurança antiderrapante, capacete ou proteção auricular, utilizado nas condições apropriadas, reduz a ocorrência de ferimentos pessoais.
 - **Evite a colocação em funcionamento não intencional. Assegure-se de que o interruptor está na posição desligada (OFF) antes de ligar o aparelho à corrente e/ou à bateria, pegar na ferramenta ou transportá-la.** Transportar ferramentas elétricas com o dedo no interruptor ou fornecer energia a ferramentas com o interruptor ligado (ON) pode provocar acidentes.
 - **Retire qualquer chave de ajuste ou aperto da ferramenta antes de a ligar.** Uma chave de ajuste ou aperto deixada numa peça rotativa da ferramenta elétrica pode resultar em ferimentos pessoais.
 - **Não se debruce com a ferramenta se com isso perder o equilíbrio. Mantenha sempre uma colocação de pés adequada e o equilíbrio.** Isto permite um melhor controlo da ferramenta em situações inesperadas.
 - **Vista roupa adequada. Não utilize roupa larga ou joias. Mantenha o seu cabelo e vestuário longe de peças em movimento.** Roupas largas, joias ou cabelo comprido podem ficar presos nas peças móveis.
- **Se os dispositivos forem fornecidos para a ligação de extração de pó e instalações de recolha, assegure-se de que estão ligados e são devidamente utilizados.** A utilização de uma recolha de pó pode reduzir os perigos relacionados com o pó.

Utilização e Manutenção da Ferramenta Elétrica

- **Não force a ferramenta. Utilize a ferramenta elétrica correta para a sua aplicação.** A ferramenta elétrica correta fará sempre um trabalho melhor e mais seguro à velocidade para que foi desenhada.
- **Não utilize a ferramenta elétrica se o interruptor não a ligar e desligar.** Qualquer ferramenta elétrica que não possa ser controlada com o interruptor é perigosa e tem de ser reparada.
- **Desligue a ficha da fonte de alimentação e/ou retire a bateria da ferramenta elétrica antes de fazer qualquer ajuste, mudar acessórios ou armazenar ferramentas elétricas.** Estas medidas de segurança preventivas reduzem o risco de ligar a ferramenta elétrica acidentalmente.
- **Guarde as ferramentas elétricas que não estejam em utilização fora do alcance das crianças e não permita que pessoas não familiarizadas com a ferramenta elétrica ou as respetivas instruções operem a ferramenta elétrica.** As ferramentas são perigosas nas mãos de utilizadores sem formação profissional.
- **Mantenha as ferramentas elétricas em bom estado. Verifique se as peças móveis funcionam perfeitamente e não emperram, bem como se há peças quebradas ou danificadas que possam influenciar o funcionamento da ferramenta. Se estiver danificada, repare a ferramenta elétrica antes da utilização.** Muitos acidentes são causados por ferramentas elétricas em mau estado de conservação.
- **Mantenha as ferramentas de corte afiadas e limpas.** Ferramentas de corte com manutenção adequada e bem afiadas têm menos probabilidades de prender e são mais fáceis de controlar.
- **Utilize a ferramenta elétrica, os acessórios e as brocas da ferramenta, etc., de acordo com estas instruções, tendo em conta as condições de trabalho e o trabalho a executar.** A utilização da ferramenta elétrica para fins não previstos pode resultar em situações perigosas.

Assistência

- A sua ferramenta elétrica deve ser reparada por um técnico qualificado, utilizando apenas peças sobresselentes idênticas. Isso garante que a ferramenta elétrica se mantém segura.

Informações de segurança específicas

⚠ AVISO

Esta secção contém informações de segurança importantes específicas desta ferramenta.

Leia estas precauções cuidadosamente antes de utilizar o Propulsor 700 para reduzir o risco de choque elétrico, pancadas, esmagamento ou outros ferimentos graves.

GUARDE TODOS OS AVISOS E INSTRUÇÕES PARA REFERÊNCIA FUTURA!

Mantenha este manual com a máquina, para utilização pelo operador.

Segurança do Propulsor

- **Siga as instruções relativas à utilização adequada desta máquina. Leia e compreenda as instruções e avisos para todo o equipamento e material a utilizar antes de operar o propulsor.** O incumprimento de todos os avisos e instruções pode resultar em danos materiais e/ou acidentes graves.
- **Ao roscar tubos de 1" (25 mm) ou maiores, utilize um dispositivo de suporte para resistir às forças de roscagem. Utilize um dispositivo de suporte adequado segundo estas instruções.** Os dispositivos de suporte melhoram o controlo e reduzem o risco de pancada, esmagamento, e/ou outros ferimentos.
- **Ao utilizar um dispositivo de suporte sem ser o braço de suporte, o dispositivo de suporte deve reagir contra o alojamento do motor.** Os dispositivos de suporte em contacto com outras peças podem danificar as peças da máquina ou aumentar o risco de ferimentos.
- **Segure sempre com firmeza o propulsor ao roscar ou retirar a tarraxa do tubo para resistir às forças de roscagem, independentemente do dispositivo de suporte utilizado.** Isto reduzirá o risco de pancada, esmagamento e outros ferimentos.
- **Não utilize este propulsor se o interruptor não funcionar.** Este interruptor é um dispositivo de segurança que lhe permite desligar o motor ao libertar o interruptor.
- **Não use luvas nem roupas largas quando estiver a utilizar máquinas. Mantenha as mangas e casacos abotoados. Não se debruce sobre a máquina ou o tubo.** A roupa pode ficar presa no tubo ou na máquina, resultando em emaranhamento.
- **Uma pessoa deve controlar o processo de trabalho e o funcionamento da máquina.** Apenas o operador deve estar na área de trabalho quando a máquina estiver em funcionamento. Isto ajuda a reduzir o risco de ferimentos.

- **Não utilize tarraxas usadas ou danificadas.** Ferramentas de corte afiadas necessitam de menos torção e o propulsor é mais fácil de controlar.
- **Mantenha as pegas secas e limpas, livres de óleo e gordura.** Tal permite um melhor controlo da ferramenta.
- **Mantenha o piso seco e limpo de materiais escorregadios como o óleo.** Pisos escorregadios podem causar acidentes.
- **Utilize apenas cabeças de roscar RIDGID com o Propulsor RIDGID 700, outras cabeças de roscar podem não encaixar corretamente no propulsor, aumentando o risco de danos no equipamento e ferimentos pessoais.**
- **Ao utilizar para aplicações diferentes das descritas neste manual, utilize um dispositivo de suporte para resistir às forças do punho.** Os dispositivos de suporte melhoram o controlo e reduzem o risco de pancada, esmagamento, e/ou outros ferimentos.

Se tiver alguma pergunta relativamente a este produto RIDGID®:

- Contacte o distribuidor local da RIDGID®.
- Visite RIDGID.com para encontrar o seu ponto de contacto RIDGID.
- Contacte o Departamento de Assistência Técnica da Ridge Tool pelo endereço de correio eletrónico rtctechservices@emerson.com ou no caso dos E.U.A. e Canadá, ligue para (800) 519-3456.

Descrição, Especificações e Equipamento Padrão

Descrição

O Propulsor modelo 700 da RIDGID® foi concebido para fornecer potência para a roscagem de tubos e condutas. Pode selecionar-se rotação para a frente e para trás, com um interruptor reversível.

O Propulsor está concebido para utilizar tarraxas RIDGID 12-R (tubo de 1/8" – 2"). Podem utilizar-se outras tarraxas RIDGID, como a OO-R e 11-R, com adaptadores.

Ao roscar tubos de 1" ou maiores, é necessário um dispositivo de suporte, como o braço de suporte N.º 775 ou uma chave de tubo para trabalhos pesados de 14" RIDGID, para resistir às forças de roscagem.

O propulsor pode também ser utilizado para alimentar o Corta-tubos RIDGID 258 e para outras aplicações, (consulte "Outras utilizações").

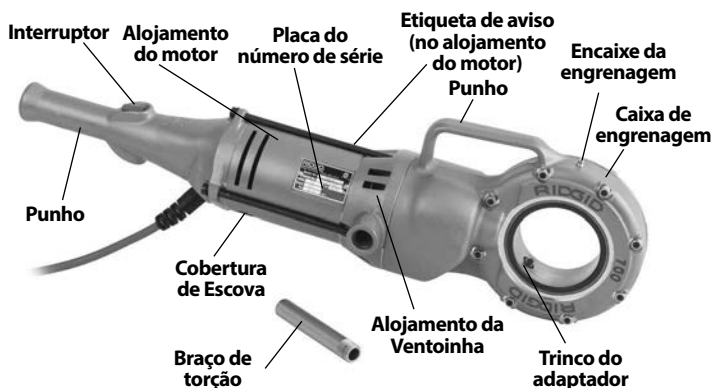


Figura 1 – Propulsor Modelo 700

Especificações

Capacidade de roscagem.....Tubo 1/8" a 2" (3 a 50 mm)
Parafuso 1/4" a 1" (6 a 25 mm) com tarraxa 00-RB

Motor:

Tipo.....Universal, Reversível
Volts.....110 120 220-240
Amperes.....13,5 13,5 6,5
Frequência.....50/60 Hz 50/60 Hz 50/60 Hz
Alimentação.....1500 1500 1500

Velocidade de operação ...26-30 RPM, Sem carga

Controlos.....Interruptor reversível de duplo curso com retorno de mola para a posição OFF (desligada)

Cabeça motriz.....Alumínio fundido, acionamento de face de redução de engrenagem, trinquetes adaptados acionados por molas, engrenagem de broca de aço endurecido

Dimensão:

Comprimento28 1/4" (717 mm)
Largura6 1/16" (154 mm)
Altura.....7 13/16" (198 mm)
Peso25 lbs. (11 kg)
Pressão sonora (L_{PA})**98,4 dB(A), K=3
Pressão sonora (L_{WA})**107 dB(A), K=3
Vibração**2,5 m/s², K=1,5

* Consulte a placa com o número de série da sua máquina para obter informações sobre o motor para a sua máquina específica - Estão disponíveis outras versões.

** As medições de Som e vibração são feitas em conformidade com um teste padronizado segundo a Norma EN 62481-1.

- Os níveis de vibração podem ser utilizados para comparação com outras ferramentas e para a avaliação preliminar da exposição.

- As emissões acústicas e de vibração podem variar consoante a sua localização e utilização específica destas ferramentas.

- Os níveis de exposição diária para som e vibração devem ser avaliados para cada aplicação e devem ser tomadas medidas de segurança, quando necessário. A avaliação dos níveis de exposição deve considerar o tempo em que uma ferramenta está desligada e não em utilização. Isto pode reduzir significativamente o nível de exposição ao longo do período de trabalho total.

Equipamento padrão

O propulsor modelo 700 inclui os seguintes itens:

- Propulsor 700
- Braço de torção
- Dispositivo de suporte
- Manual do operador

A placa de número de série da máquina do Propulsor 700 encontra-se no fundo do alojamento do motor. Os últimos 4 dígitos indicam o mês e o ano do fabrico. (12 = mês, 15 = ano).

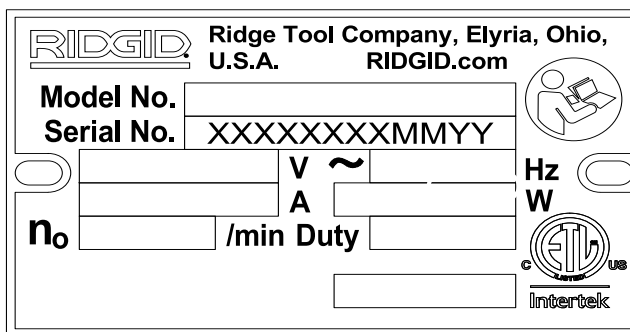


Figura 2 – Número de Série da Máquina

NOTA A seleção de materiais e de métodos de instalação, ligação e formação adequados são da responsabilidade do desenhador e/ou do instalador do sistema. A seleção de materiais e métodos inadequados pode provocar uma falha no sistema.

Aço inoxidável e outros materiais resistentes à corrosão podem ficar contaminados durante a instalação, ligação e formação. Esta contaminação pode provocar corrosão e uma falha prematura. Deve fazer-se uma avaliação cuidada dos materiais e métodos para as condições de serviço específicas, incluindo químicas e de temperatura, antes de qualquer tentativa de instalação.

Inspeção Antes da Colocação em Funcionamento

⚠ AVISO



Antes de cada utilização, inspecione o seu Propulsor 700 e corrija quaisquer problemas para reduzir o risco de ferimentos graves decorrentes de choque elétrico, ferimentos por esmagamento e outras causas e evitar danos no propulsor.

1. Certifique-se que o propulsor está desligado.
2. Limpe qualquer resíduo de óleo, gordura ou sujeira do propulsor e do dispositivo de suporte, incluindo as pegas e os controles. Isto facilita a inspeção e ajuda a impedir que a máquina ou o controle escorreguem da mão.
3. Inspeccione o propulsor relativamente ao seguinte:
 - Danos ou alterações no cabo e ficha.
 - Montagem e manutenção correta e completa.
 - Peças danificadas, desalinhadas ou coladas.
 - Funcionamento correto do interruptor. Confirme que liga e desliga com suavidade, e que não prende.
 - Presença e legibilidade das etiquetas de aviso (Figura 3).
 - Qualquer outra condição que possa impedir o funcionamento normal e seguro.

Caso encontre algum problema, não utilize o propulsor ou o dispositivo de suporte até ter reparado os problemas.

4. Inspeccione o braço de suporte. Certifique-se de que os dentes de aperto estão limpos e em boas condições. Os dentes podem ser limpos com uma escova de arame.
5. Inspeccione as extremidades de corte das tarraxas quanto a desgaste, deformação, lascas ou outros problemas. As ferramentas de corte rombas ou danificadas aumentam a força necessária, produzem roscas de fraca qualidade e aumentam o risco de ferimentos.
6. Inspeccione e realize a manutenção de qualquer outro equipamento em utilização, segundo as respetivas instruções, de forma a assegurar que funciona corretamente.
7. Seguindo as instruções de *Configuração e Utilização*, verifique se o propulsor está a ser utilizado corretamente.
 - Pressione e liberte o interruptor para rotação PARA A FRENTE e repita para a rotação PARA TRÁS, conforme mostrado na Figura 3. Confirme que o propulsor roda conforme mostrado na Figura 3 e que o interruptor controla a operação da máquina.

Deixe que o propulsor pare completamente antes de inverter a direção com o interruptor. Isto reduzirá o risco de danos no propulsor.

- Pressione e mantenha pressionado o interruptor. Inspeccione as partes móveis procurando peças desalinhadas, presas, ruídos estranhos ou qualquer outra condição anormal. Liberte o interruptor.

Caso a máquina não funcione corretamente, ou detete qualquer condição anormal, não utilize a máquina até que tenha sido reparada.



Figura 3 – Posição do interruptor para direção rotacional

8. Liberte o interruptor e, com as mãos secas, desligue a ficha da máquina.

Configuração e funcionamento

⚠ AVISO



Prepare e utilize o Propulsor 700 de acordo com estes procedimentos para reduzir o risco de ferimentos de choque elétrico, emaranhamento, pancada, esmagamento e outras causas, e para ajudar a evitar danos no propulsor.

Ao rosar tubos de 1" (25 mm) ou maiores, utilize um dispositivo de suporte para resistir às forças de roscagem. Utilize um dispositivo de suporte adequado segundo estas instruções. Os dispositivos de suporte melhoram o controlo e reduzem o risco de pancada, esmagamento, e/ou outros ferimentos.

Segure sempre com firmeza o propulsor ao rosar ou retirar a tarraxa do tubo para resistir às forças de roscagem, independentemente do dispositivo de suporte utilizado. Isto reduzirá o risco de pancada, esmagamento e outros ferimentos.

Apoie o tubo de forma adequada. Isto reduzirá o risco de queda ou tombo do tubo, e de ferimentos graves.

Não utilize um propulsor sem um interruptor que funcione corretamente.

Não use luvas nem roupas largas quando estiver a utilizar máquinas. Mantenha as mangas e casacos abotoados. Não se debruce sobre a máquina ou o tubo. A roupa pode ficar presa na máquina, resultando em emaranhamento.

A mesma pessoa tem de controlar o processo de trabalho e o interruptor. Não operar com mais de uma pessoa. No caso de ficar emaranhado, o operador tem de controlar o interruptor.

1. Verifique a área de trabalho quanto a:
 - Iluminação adequada.
 - Líquidos inflamáveis, vapores ou pó que possam inflamar-se. Se estes estiverem presentes, não trabalhe nessa área até que as fontes dos mesmos estejam identificadas e corrigidas. Os propulsores não são à prova de explosão e podem causar faíscas.
 - Uma localização livre, nivelada, estável e seca para todo o equipamento e para o operador.
 - Boa ventilação. Não utilizar de forma contínua em áreas pequenas e fechadas.
 - Tomada elétrica com a devida tensão adequadamente ligada à terra. Em caso de dúvida, peça a um electricista licenciado que inspecione a tomada.
 - Desimpeça o caminho para a tomada elétrica para que não contenha quaisquer fontes potenciais de danos para o cabo de alimentação.
2. Inspeccione o tubo a roscar e os acessórios associados, e confirme que o Propulsor 700 é a ferramenta correta para o serviço. *Ver Especificações.*
 Pode encontrar equipamento para outras aplicações no catálogo da Ridge Tool, disponível online em RIDGID.com ou telefonando para a Assistência Técnica da Ridge Tool nos E.U.A. e Canadá através do número (800) 519-3456
3. Confirme se o equipamento a utilizar foi devidamente inspecionado.
4. Prepare o tubo de forma adequada conforme necessário. Certifique-se que o tubo está cortado em esquadria e rebarbado. Um tubo cortado em ângulo pode danificar as tarraxas durante a roscagem ou dificultar o acionamento da tarraxa.
5. Certifique-se de que o tubo a roscar está estável e fixo, de forma a evitar que tombe durante a utilização. Utilize apoios de tubo adequados para apoiar o comprimento do tubo.

6. Verifique o nível de Óleo de Corte de Rosca RIDGID no lubrificador RIDGID 418. Retire o tabuleiro de aparas e confirme que a proteção do filtro está limpa e completamente submersa em óleo. Substitua ou adicione óleo, se necessário. Coloque o balde do lubrificador 418 por baixo da extremidade do tubo a roscar.

Instalar Cabeças de Roscar

1. Certifique-se de que o propulsor está desligado da tomada.
2. Pressione a cabeça de roscar 12-R ou o adaptador (*consulte Equipamento opcional*), primeiro a extremidade estriada, alinhada com o propulsor, até que os trincos de mola prendam de forma seguro as estrias. (*Figura 4*). A cabeça de roscar ou o adaptador podem ser inseridos em qualquer dos lados do propulsor. Em alguns casos, as cabeças de roscar/os adaptadores podem necessitar de ser rodados para permitir que os trincos prendam. Com os adaptadores 770 e 773, deve introduzir-se primeiro a cabeça de roscar no adaptador antes de inserir no Propulsor.
3. Para retirar, puxe a cabeça de roscar do propulsor em esquadria. Se necessário, utilize um martelo de borracha ou um bloco de madeira para ajudar a retirar a tarraxa. Não bata na tarraxa, isto pode danificar a ferramenta.



Figura 4 – Instalar cabeças de rosca no Propulsor 700

Resistir às forças de roscagem (Dispositivos de suporte)

Para roscar à direita, a tarraxa rodará no sentido dos ponteiros do relógio (olhando para a face da tarraxa). As forças desenvolvidas pela torção serão na direção oposta ou contrária à dos ponteiros do relógio. A rotação e a força serão invertidas para roscar à esquerda. Certifique-se que o dispositivo de suporte está corretamente configurado para amortecer e resistir à força de roscagem.

Utilizar o Braço de suporte N.º 775:

1. O gancho de jugo do braço de suporte pode ser montado em qualquer um dos lados. Aperte com firmeza o parafuso de articulação.
2. Posicione o braço de suporte no tubo, de forma a que a extremidade do braço de suporte se alinhe com a extremidade do tubo, e o Propulsor 700 estará ligeiramente acima da posição horizontal (Figura 5 e 6). Isto posiciona corretamente o braço de suporte para a roscagem, e evita que o óleo de roscagem deslize pelo propulsor.
3. Certifique-se que os mordentes do braço de suporte estão corretamente alinhados com o tubo e aperte de forma segura o braço de suporte.

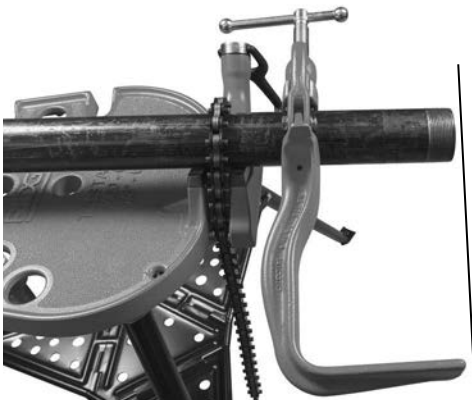


Figura 5 – Braço de suporte alinhado com a extremidade do tubo



Figura 6 – Braço de suporte posicionado com o Propulsor 700 ligeiramente acima da posição horizontal

Utilizar uma chave de tubos para trabalhos pesados RIDGID 12", 14" ou 18":

1. Instale com segurança o braço de torção no alojamento da ventoinha do Propulsor 700. Pode também utilizar-se uma peça com 5" (127 mm) de comprimento e um tubo de aço schedule 1/2" 80 com uma rosca 1/2" NPT.

2. Coloque a chave de tubos para trabalhos pesados RIDGID 12", 14" ou 18" a 7" (175 mm) da extremidade do tubo (consulte a Figura 7). Teste para confirmar que a chave está fixa, e que não irá cair ou mover-se.
3. Ao iniciar a roscagem, o braço de torção irá assentar no punho da chave de tubos.

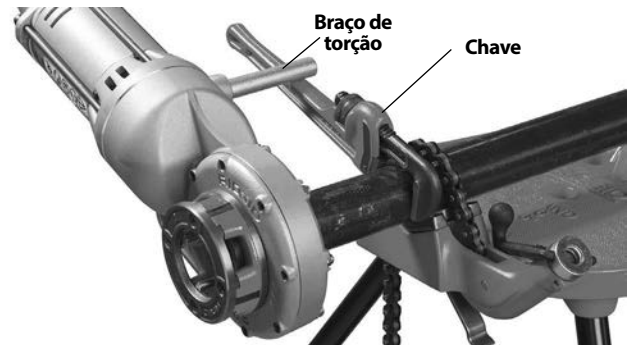


Figura 7 – Roscagem utilizando uma chave de tubos como braço de suporte

Outros métodos de suporte:

Coloque o alojamento do motor do propulsor (consulte a Figura 1) contra um membro estrutural adjacente (por exemplo, paredes e vigas). Isto requer que o tubo a rosca e o que estiver em redor sejam capazes de aguentar o peso da ferramenta e das forças de roscagem. Pode ser necessário adicionar suportes de tubo temporários ou permanentes, ou elementos estruturais para resistir de forma adequada às forças de roscagem.

Para tubos com 3/4" de diâmetro ou menos:

Tubos com 3/4" de dimensão nominal ou menos podem ser enroscados sem recorrer a um dispositivo de suporte. Neste caso, o operador resiste às forças de roscagem. O tubo tem de estar corretamente fixo de forma a prevenir rotação. Segure sempre com firmeza o propulsor ao rosca ou retirar a tarraxa do tubo para resistir às forças de roscagem. Isto reduzirá o risco de pancada, esmagamento e outros ferimentos.

Roscagem

1. Com as mãos secas, ligue o propulsor.
2. Posicione a tarraxa por cima da extremidade do tubo e apoie o propulsor tal como indicado na Secção Resistir às forças de roscagem. Mantenha sempre o propulsor contra o dispositivo de suporte. Não coloque nada entre o propulsor e o dispositivo de suporte - isto aumenta o risco de ferimentos por aperto e esmagamento.
3. Assuma uma posição de operação correta para ajudar a manter o controlo da máquina (Ver Figura 9).
 - Certifique-se de que tem um bom equilíbrio e de que não precisa de se debruçar.

- Certifique-se de que pode controlar o interruptor e a máquina. Não pressione já o interruptor. Em caso de emergência, tem de conseguir libertar o interruptor.

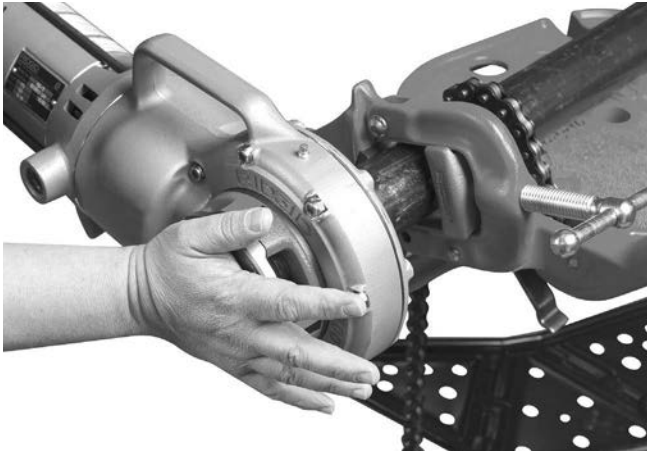


Figura 8 – Iniciar a rosca

4. Ao mesmo tempo, pressione o interruptor (*consulte a Figura 3*) e pressione a placa da cobertura da tarraxa com a palma da mão livre, para iniciar a rosca (*Figura 8*). Não use luvas, joias, ou um pano ao pressionar a placa de cobertura – isto aumenta o risco de emaranhamento e ferimentos. Assim que as tarraxas engatarem o tubo, as roscas serão cortadas à medida que as tarraxas se pressionam contra a extremidade do tubo.

Segure sempre com firmeza o punho do propulsor de forma a resistir às forças do punho. Os dispositivos de suporte podem deslizar e fazer com que o propulsor se mova. O interruptor pode ser libertado a qualquer momento para DESLIGAR o propulsor.



Figura 9 – Tubo de roscagem

5. Pare de pressionar a placa da cobertura e utilize o lubrificador para aplicar uma quantidade generosa de Óleo de Corte de Roscas RIDGID na área a roscar. Isto diminuirá a torção de roscar, melhorando a qualidade da rosca e aumentando a duração das tarraxas.
6. Mantenha o interruptor pressionado até que a extremidade do tubo esteja nivelada com a extremidade das tarraxas (*Figura 10*). Tenha em atenção que o Propulsor não vá contra o dispositivo de suporte. Liberte o interruptor. Deixe que o propulsor pare completamente.

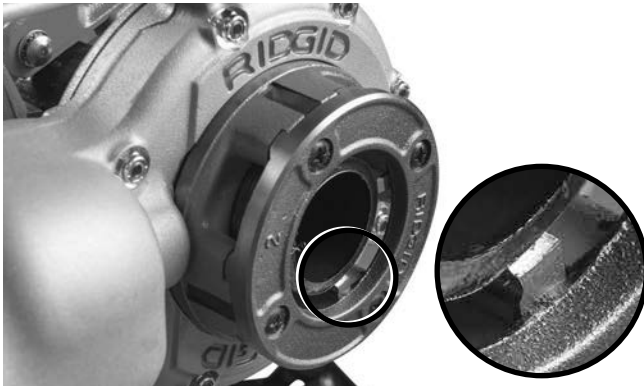


Figura 10 – Tubo alinhado com extremidade das tarraxas

7. Acione o interruptor na direção para trás, para retirar a cabeça de roscar do tubo roscado. Segure o punho do propulsor com firmeza para resistir às forças do punho desenvolvidas ao quebrar as aparas da rosca e retirar a tarraxa.
8. Liberte o interruptor e retire o propulsor e a tarraxa do tubo.
9. Com as mãos secas, desligue o propulsor.
10. Limpe o óleo e os resíduos das roscas e da tarraxa, tendo cuidado para não se cortar em resíduos ou extremidades afiadas. Limpe qualquer derrame de óleo na área de trabalho.

Inspecionar roscas

1. Retire o óleo, lascas ou resíduos presentes na rosca.
2. Inspecione visualmente a rosca. As roscas devem ser lisas e completas, com boa forma. Caso observe problemas como roscas rasgadas, finas ou tubo não arredondado, a rosca pode não selar quando enroscada. Consulte a tabela de "Resolução de Problemas" para ajuda no diagnóstico destes problemas.
3. Inspecione o tamanho da rosca. O método preferencial para verificar o tamanho de uma rosca é com um anel calibrador. Existem vários estilos de anéis calibradores, e a sua utilização pode ser diferente da ilustrada na Figura 11.
 - Aparafuse bem o anel calibrador manualmente na rosca.
 - Veja a que distância vai a extremidade através do anel calibrador. A extremidade do tubo deve estar alinhada com a lateral do calibrador, com uma volta a mais ou a menos. Caso a rosca não esteja corretamente calibrada, corte a rosca, ajuste a tarraxa e recorte uma nova rosca. Ao utilizar uma rosca que não esteja corretamente calibrada, pode provocar fugas.

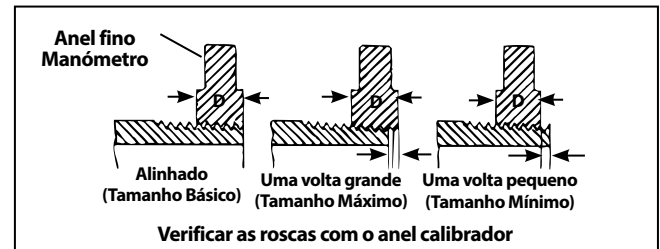


Figura 11 – Verificar o tamanho da rosca

- Se não estiver disponível um anel calibrador para inspecionar o tamanho da rosca, é possível utilizar um representante de encaixe novo e limpo ou os utilizados durante o serviço para calibrar o tamanho das roscas. Para roscas NPT de 2" ou menos, as roscas devem ser cortadas de forma a obter 4 a 5 voltas para encaixar manualmente de forma apertada com o encaixe e para roscas BSPT de 2" ou menos, devem ter 3 voltas.

Propulsor 700 - Outras utilizações

Este manual contém instruções específicas para a utilização do Propulsor 700, para roscagem com várias cabeças de roscagem RIDGID. Quando utilizado com outro equipamento RIDGID (como o cortador de tubos elétrico 258/258XL RIDGID), siga as instruções e avisos incluídos com esse equipamento RIDGID para uma configuração e utilização corretas.

A Ridge Tool não pode fornecer instruções específicas para cada utilização possível do Propulsor 700. O utilizador deve avaliar o cenário de trabalho específico e utilizar boas práticas e métodos de trabalho. Caso existam dúvidas sobre a utilização do Propulsor 700 para outros fins, não o utilize.

Se utilizar o Propulsor 700 para outros fins, avalie cuidadosamente e prepare-se para o trabalho utilizando as diretrizes gerais abaixo. O Propulsor 700 fornecerá um binário alto e, em consequência, forças de punho altas, que podem causar ferimentos por pancada e esmagamento.

- O Adaptador quadrado de transmissão 774 RIDGID pode ser utilizado para adaptar o Propulsor 700 para rodar um quadrado macho de 1 5/16". Fixe o adaptador com segurança para evitar que se solte durante a utilização.
- Deve desenvolver-se um método adequado para resistir às forças de punho (Consultar a secção "Resistir às forças de punho"). As forças podem ultrapassar os 1000 lbs (455 kg). Podem colocar-se dispositivos de suporte contra o alojamento do motor ou alojamento da ventoinha do Propulsor 700 (Figura 1).
- Mantenha sempre o propulsor contra o dispositivo de suporte - não coloque partes do seu corpo entre o propulsor e o dispositivo de suporte.

- Não deve existir qualquer movimento relativo entre o propulsor e o dispositivo de suporte durante a utilização.
- Confirme que a aplicação (como utilizar uma válvula) está livre para rodar, não está presa e que se conhecem as extremidades de deslocação. Se o sistema prende ou para durante a utilização, as forças de punho aumentarão de forma súbita e significativa, ou o propulsor poderá rodar.
- Se utilizar para operar válvulas ou outro equipamento, siga todas as instruções do fabricante desse equipamento. Não sobrecarregue o equipamento.
- Utilize de forma a que a força de reação do Propulsor 700 puxe para longe do utilizador.
- Liberte o interruptor a qualquer momento para desligar o propulsor. Certifique-se de que consegue libertar o interruptor.

Instruções de manutenção

⚠ AVISO

Certifique-se de que o interruptor foi libertado e de que a máquina está desligada antes de realizar qualquer manutenção ou de fazer quaisquer ajustes.

Mantenha a ferramenta de acordo com estes procedimentos para reduzir o risco de ferimentos por choque elétrico, emaranhamento e outras causas.

Limpeza

1. Após cada utilização, esvazie as lascas de roscar do tabuleiro de lascas do lubrificador 418 e limpe todos os resíduos de óleo.
2. Limpe qualquer resíduo de óleo, gordura, lascas ou sujidade do propulsor, incluindo dos punhos e dos controlos.
3. Limpe qualquer resíduo de óleo, gordura ou sujidade do braço de suporte. Caso seja necessário, limpe os mordentes do braço de suporte com uma escova de arame.
4. Retire as lascas e a sujidade das cabeças de roscar.

Lubrificação

Utilize uma pistola de lubrificação para adicionar lubrificante Lithium EP (Pressão Extrema) através dos bocais de lubrificação incluídos no alojamento da engrenagem (consultar a Figura 1) a cada 3 a 6 meses, dependendo da utilização da máquina.

Substituir tarraxas nas Cabeças de roscar 12-R

Estão disponíveis várias tarraxas para instalação em cabeças de roscar RIDGID 12-R. Consulte o catálogo.

1. Retire os quatro parafusos (4), a chapa de proteção (2) e as tarraxas (3) da cabeça de roscar.
2. Insira as tarraxas novas nas ranhuras, com a extremidade numerada (1,2,3,4) virada para cima. Os números das tarraxas têm de corresponder aos das ranhuras na cabeça de roscar. Substitua sempre todas as tarraxas como um conjunto.
3. Instale a chapa de proteção (2) e os parafusos (4) e aperte ligeiramente os parafusos.
4. Enrosque a extremidade de um tubo roscado nas tarraxas até que comece a enroscar. Isto força a paragem nas tarraxas "B" para fora contra a presilha "A" na chapa de proteção e define corretamente o tamanho.
5. Aperte os quatro parafusos de forma segura. Retire o tubo enroscado e faça um corte de teste.

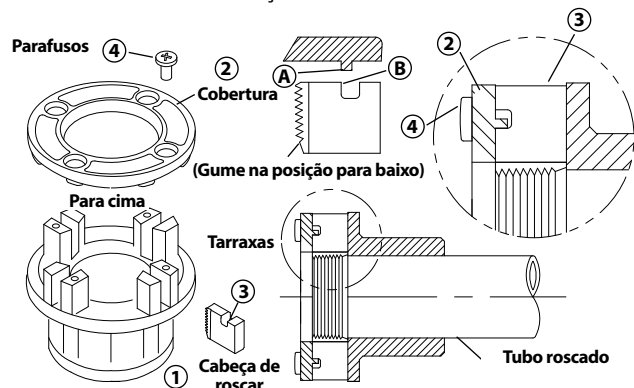


Figura 12 – Instalar tarraxas na cabeça de roscar

Substituir escovas no motor

Verifique as escovas do motor a cada 6 meses. Substitua quando estiverem gastos até terem menos de ¼" (6 mm).



Figura 13 – Instalação da Escova

1. Desligue a máquina da fonte de alimentação.
2. Desaperte as tampas da escova. Retire e inspecione as escovas. Substitua quando estiverem gastos até terem menos de ¼" (6 mm). Verifique se o comutador está gasto. Se estiver excessivamente gasto, peça a reparação da ferramenta.
3. Volte a instalar as escovas/instale escovas novas.
4. É aconselhável colocar a unidade em funcionamento durante 15 minutos ao ralenti na direção de avanço, seguidos de 15 minutos na direção inversa para assentar as escovas no comutador antes da utilização.

Equipamento opcional

⚠ AVISO

Para reduzir o risco de ferimentos graves, utilize apenas equipamento específico concebido e recomendado para utilização com o Propulsor 700, como o listado abaixo.

N.º Catálogo	Descrição
42600	Adaptador 770 para 00-R (½" – 1") e 00-RB (¼" – 1")
42605	Adaptador 771 para 0-R (½" – 1")
42610	Adaptador 772 para 11-R (½" – 1¼")
42615	Adaptador 773 para 111-R (½" – 1¼")
42620	Adaptador quadrado de transmissão 774 – 1½"
42625	Braço de suporte 775
46615	Braço de torção
42950	Mala de transporte metálica B-171-X
10883	418 Lubrificador com 1 galão de óleo de corte de roscas Premium
41620	Graxa do motor a cab. motriz

Pode encontrar mais informação sobre o equipamento disponível para o Propulsor 700, específico para a ferramenta, no Catálogo RIDGID e on-line, em RIDGID.com.

Armazenamento da máquina

⚠ AVISO O Propulsor 700 deve manter-se num espaço interior ou bem coberto em tempo de chuva. Guarde a máquina numa área isolada que esteja fora do alcance de crianças e de pessoas não familiarizadas com as máquinas. Esta máquina pode causar graves lesões nas mãos de pessoas sem formação específica.

Assistência e reparação

⚠ AVISO

Serviço ou reparação impróprios podem tornar a máquina insegura de operar.

As "Instruções de Manutenção" serão suficientes para resolver a maioria das necessidades de manutenção desta

máquina. Quaisquer problemas não mencionados nesta secção podem ser resolvidos por um técnico de assistência RIDGID.

A ferramenta deve ser levada a um Centro de Assistência Independente Autorizado da RIDGID, ou devolvida à fábrica. Utilize apenas peças de assistência RIDGID.

Para informações sobre o Centro de Assistência Independente da RIDGID mais próximo, ou para questões sobre assistência e reparação:

- Contacte o seu distribuidor local RIDGID.
- Visite RIDGID.com para encontrar o seu ponto de contacto RIDGID.
- Contacte o Departamento de Assistência Técnica da Ridge Tool pelo endereço de correio eletrónico rtctechservices@emerson.com, ou no caso dos E.U.A. e Canadá, ligue para (800) 519-3456.

Informação do óleo de corte da rosca

Leia e siga todas as instruções na etiqueta de óleo de rosca e na Ficha de Dados de Segurança (FDS). Informação específica sobre os Óleos de Corte de Roscagem RIDGID, incluindo Identificação de Perigos, Primeiros-Socorros, Combate a Incêndios, Medidas para Fuga Acidental, Manuseamento e Armazenamento, Equipamento de Proteção Individual, Eliminação e transporte, está incluída no contentor e na FDS. A FDS está disponível em RIDGID.com ou contactando o Departamento de Assistência Técnica da Ridge Tool através de (800) 519-3456 nos EUA e Canadá, ou rtctechservices@emerson.com.

Eliminação

Determinadas partes do Propulsor 700 contêm materiais valiosos e podem ser recicladas. Existem empresas especializadas em reciclagem que podem ser encontradas localmente. Elimine os componentes em conformidade com todos os regulamentos aplicáveis. Contacte as autoridades locais de gestão dos resíduos para mais informações.



Para os países da CE: Não elimine o equipamento elétrico juntamente com resíduos domésticos!

De acordo com a Diretiva Europeia 2012/19/UE relativa aos resíduos de equipamentos elétricos e eletrónicos e as suas transposições para as legislações nacionais, o equipamento eléctrico em final de vida útil deve ser recolhido em separado e eliminado de forma ambientalmente correta.

Resolução de problemas

PROBLEMA	CAUSAS POSSÍVEIS	SOLUÇÃO
A máquina não funciona.	As escovas não tocam na armadura.	Verifique as escovas, substitua se estiverem gastas.
A máquina não é capaz de roscar.	Tarraxas usadas.	Substitua as tarraxas.
	Sobrecarga devido a roscas rasgadas ou deformadas.	Consultar razões possíveis abaixo.
	Óleo de corte de roscas de má qualidade ou insuficiente.	Utilize óleo de corte de Roscas RIDGID® na quantidade adequada.
	Tensão da linha insuficiente.	Verifique a tensão da rede de alimentação.
Roscas finas.	Contacto insuficiente entre as escovas e o comutador	Aperte as coberturas das escovas para garantir que as escovas estão pressionadas com firmeza contra o comutador.
	As escovas não tocam no comutador de forma adequada.	Substitua as escovas gastas e ou a armadura.
	Escovas de marcas diferentes.	Utilize apenas escovas RIDGID®.
	Escovas novas.	Assente as escovas colocando a unidade em funcionamento ao ralenti durante 15 minutos em Avanço e Sentido inverso.
As tarraxas não começam a roscar.	A tarraxa não está alinhada com a extremidade do tubo.	Pressione a placa de cobertura da tarraxa para iniciar a roscagem.
	A força de encaixe não foi aplicada de forma adequada à tarraxa.	Aplique força de encaixe ao longo da linha central do tubo.
	A extremidade do tubo não está cortada em esquadria.	Corte a extremidade do tubo em esquadria.
	Tarraxas usadas ou quebradas.	Substitua as tarraxas.
	A máquina gira na direção errada.	Acione a máquina na direção correta.
	As tarraxas estão colocadas incorretamente na cabeça de roscar.	Certifique-se de que as tarraxas estão apontadas para fora contra as presilhas da placa de cobertura.
Roscas danificadas.	Tarraxas danificadas, lascadas ou gastas.	Substitua as tarraxas.
	Óleo de corte de roscas insuficiente ou desadequado.	Utilize apenas Óleo de Corte de Roscas RIDGID® na quantidade adequada.
	Tipo de tarraxa incorreto para o material.	Selecione tarraxas de elevada velocidade, aço inoxidável ou liga de aço que sejam adequadas à aplicação.
	Material do tubo de má qualidade.	Utilize tubo de melhor qualidade.
Roscas deformadas ou esmagadas.	A espessura da parede do tubo é demasiado fina.	Utilize uma espessura de parede de especificação 40 ou superior.

Resolução de problemas (Continua)

PROBLEMA	CAUSAS POSSÍVEIS	SOLUÇÃO
O dispositivo de suporte gira durante a roscagem.	Os mordentes do braço de suporte estão sujos. O braço de suporte não está corretamente alinhado. O braço de suporte não está apertado.	Limpe com uma escova de arame. Alinhe o braço de suporte corretamente com o tubo. Aperte o fuso.
Roscas finas.	As tarraxas não estão colocadas na ordem correta.	Coloque as tarraxas na ranhura correta na cabeça de roscar.

Drivenhet Power Drive

700



! VARNING!

Läs den här bruksanvisningen noggrant innan du använder det här verktyget. Om du använder utrustningen utan att ha förstått eller följt innehållet i bruksanvisningen finns risk för elchock, brand och/eller personskador.

Drivenhet Power Drive 700

Anteckna serienumret nedan och spara produktens serienummer som sitter på märkplåten.

Serie-
nr

Innehåll

Registreringsformulär för maskin med serienummer	107
Säkerhetssymboler	109
Allmänna säkerhetsvarningar för motordrivna verktyg	109
Säkerhet på arbetsområdet	109
Elsäkerhet	109
Personlig säkerhet	110
Användning och skötsel av motordrivna verktyg	110
Service	110
Särskild säkerhetsinformation	111
Säkerhet för drivenheter	111
Beskrivning, specifikationer och standardutrustning	111
Beskrivning	111
Specifikationer	112
Standardutrustning	112
Inspektion före användning	112
Inställning och användning	113
Installera gänghuvuden	114
Stå emot gängkrafter	114
Gängning	115
Inspektera gängor	116
Drivenhet 700 Power Drive – Annan användning	117
Anvisningar för underhåll	117
Rengöring	117
Smörjning	117
Byta gängbackar i gänghuvud 12-R	117
Byta kolborstar i motorn	118
Extrautrustning	118
Förvara maskinen	118
Service och reparationer	118
Information om gängskärolja	119
Bortskaffande	119
Felsökning	119
EG-försäkran om överensstämmelse	Insidan på omslagets baksida
Livstidsgaranti	Omslagets baksida

*Översättning av bruksanvisning i original

Säkerhetssymboler

I den här bruksanvisningen och på produkten används säkerhetssymboler och signalord för att kommunicera viktig säkerhetsinformation. Det här avsnittet syftar till att förbättra förståelsen av dessa signalord och symboler.



Detta är en säkerhetssymbol. Den används för att göra dig uppmärksam på risker för personskador. Rätta dig efter alla säkerhetsföreskrifter som följer efter denna symbol, för att undvika personskador eller dödsfall.

▲ FARA

FARA betecknar en farlig situation som kommer att orsaka dödsfall eller allvarliga personskador, om situationen inte undviks.

▲ VARNING

VARNING betecknar en farlig situation som kan orsaka dödsfall eller allvarliga personskador, om situationen inte undviks.

▲ SE UPP

SE UPP betecknar en farlig situation som kan orsaka lindriga eller medelsvåra personskador, om situationen inte undviks.

OBS

OBS betecknar information som avser skydd av egendom.



Den här symbolen betyder att bruksanvisningen ska läsas noggrant innan utrustningen används. Bruksanvisningen innehåller viktig information om säker och korrekt användning av utrustningen.



Den här symbolen visar att skyddsglasögon med sidoskydd eller goggles alltid ska bäras när utrustningen används, för att minska risken för ögonskador.



Den här symbolen visar att det finns risk att fingrar, händer, kläder eller andra föremål fastnar mellan drev eller andra roterande delar och orsakar krosskador.



Den här symbolen betecknar risk för elchock.



Den här symbolen visar att det finns risk för att maskinen tippas, vilket kan orsaka slag- eller krosskador.



Den här symbolen betyder att du inte ska bära handskar vid användning av den här maskinen, för att minska risken för att fastna.



Den här symbolen betyder att du alltid ska använda en stödåordning för att motverka gängkraft, förbättra kontrollen och minska risken för personskador.

Allmänna säkerhetsvarningar för motordrivna verktyg*

▲ VARNING

Läs alla anvisningar så att du har förstått dem. Om du använder utrustningen utan att förstå eller följa instruktionerna finns risk för elchock, brand och/eller allvarliga personskador.

SPARA ALLA VARNINGAR OCH ANVISNINGAR SOM REFERENS I FRAMTIDEN!

Termen "motordrivna verktyg" i varningstexterna avser ett nätdrivet motordrivna verktyg (med sladd) eller ett batteridrivna motordrivna verktyg (sladdlöst).

Säkerhet på arbetsområdet

- **Håll arbetsområdet städat och väl upplyst.** Stökiga eller mörka områden gör att olyckor inträffar lättare.
- **Använd inte motordrivna verktyg i omgivningar med explosiv atmosfär, till exempel i närheten av brandfarliga vätskor, gaser eller damm.** Motordrivna verktyg kan avge gnistor som kan antända dammet eller ångorna.
- **Håll barn och kringstående på behörigt avstånd medan du använder ett motordrivna verktyg.** Distraktioner kan få dig att tappa kontrollen.

Elsäkerhet

- **Motordrivna verktygs elkontakter måste passa i motsvarande uttag. Du får aldrig modifiera kontakten på något sätt. Använd inga adapterkontakter tillsammans med jordade motordrivna verktyg. Jordade verktyg måste vara ordentligt anslutna till ett uttag samt installerade och jordade i enlighet med alla lagar och bestämmelser. Ta aldrig bort någon jordanslutning och modifiera aldrig kontakten på något sätt. Låt en behörig elektriker kontrollera om uttaget är ordentligt jordat, om du är tveksam.** Omodifierade kontakter och passande uttag minskar risken för elchock.
- **Undvik kroppskontakt med jordade ytor, t.ex. rör, element, spisar och kylskåp.** Risken för elchock ökar om din kropp är jordad.
- **Utsätt inte motordrivna verktyg för regn eller väta.** Om vatten kommer in i ett motordrivna verktyg ökar risken för elchock.
- **Misshandla inte kabeln. Bär aldrig utrustningen i kabeln och håll alltid i själva kontakten (inte i kabeln) när du drar ut kontakten ur ett uttag. Håll kabeln på avstånd från värme, olja, vassa kanter och rörliga delar. Byt ut skadade kablar omedelbart.** Skadade kablar ökar risken för elchock.

* Texten i avsnittet Allmänna säkerhetsvarningar för motordrivna verktyg i den här bruksanvisningen är ordagrann, enligt krav, från tillämplig standard UL/CSA 62841-1. Det här avsnittet innehåller allmänna säkerhetsrutiner för många olika typer av motordrivna verktyg. Alla föreskrifter gäller inte för alla verktyg, och vissa gäller inte för det här verktyget.

- När ett motordrivet verktyg används utomhus ska du använda en förlängningskabel som är avsedd för utomhusanvändning. Dessa kablar är märkta för utomhusanvändning och minskar risken för elchock.
- Använd en krets med jordfelsbrytare om ett motordrivet verktyg måste användas på en fuktig plats. Användning av jordfelsbrytare minskar risken för elchock.

Personlig säkerhet

- Var uppmärksam, ha uppsikt över det du gör, och använd sunt förnuft när du använder ett motordrivet verktyg. Använd inte ett motordrivet verktyg när du är trött eller påverkad av mediciner, alkohol eller annat. Ett enda ouppmärksam ögonblick vid användning av verktyg kan leda till allvarliga personskador.
- Använd personlig skyddsutrustning. Bär alltid ögonskydd. Skyddsutrustning som ansiktsmasker, halkfria skyddsskor, hjälm eller hörselskydd minskar risken för personskador.
- Förhindra oavsiktliga starter. Kontrollera att omkopplaren är i frånslaget läge innan du ansluter till nätspänningen och/eller batteriet, och innan du plockar upp eller bär med dig verktyget. Håll inte fingret på avtryckaren medan du bär verktyget och låt inte motordrivna verktyg ligga påslagna – detta kan lätt orsaka olyckor.
- Ta bort alla justeringsverktyg och skruvnycklar innan du startar ett motordrivet verktyg. Ett justeringsverktyg eller en skruvnyckel som lämnats kvar på en roterande del av det motordrivna verktyget kan orsaka personskador.
- Sträck dig inte för långt. Stå alltid stadigt och balanserat. Då har du bättre kontroll över verktyget vid oväntade situationer.
- Använd ordentliga kläder. Bär inte löst sittande kläder eller smycken. Håll hår och kläder på behörigt avstånd från rörliga delar. Löst sittande kläder, smycken och långt hår kan fastna i rörliga delar.
- Om det finns utrustning för dammsug och dammuppsamling måste sådan utrustning vara ordentligt ansluten och användas på rätt sätt. Användning av dammsug kan minska dammrelaterade risker.

Användning och skötsel av motordrivna verktyg

- Använd inte överdriven kraft. Använd rätt motordrivet verktyg för uppgiften. Rätt motordrivet verktyg utför arbetet bättre och säkrare vid verktygets avsedda hastighet.
- Använd inte det motordrivna verktyget om på/av-knappen inte startar respektive stänger av verktyget. Alla verktyg där omkopplaren inte fungerar är farliga och måste repareras.
- Koppla ur kontakten från spänningskällan och/eller ta ut batteriet ur det motordrivna verktyget innan du utför några justeringar, byter tillbehör, eller förvarar några motordrivna verktyg. Sådana förebyggande säkerhetsåtgärder minskar risken för att det motordrivna verktyget startas oavsiktligt.
- Förvara motordrivna verktyg som inte används utom räckhåll från barn. Personer som inte är vana vid motordrivna verktyg och som inte har läst den här bruksanvisningen får inte använda verktyget. Motordrivna verktyg är farliga i händerna på utbildade användare.
- Utför underhåll på motordrivna verktyg. Kontrollera om det finns några felinställda eller kärvande rörliga delar, om några delar har gått sönder eller något annat tillstånd som kan påverka verktygets drift. Om ett motordrivet verktyg är skadat måste det repareras före användning. Många olyckor orsakas av motordrivna verktyg som inte har genomgått ordentligt underhåll.
- Håll alla skärande verktyg slipade och rena. Rätt underhållna skärande verktyg med vassa skärande eggkar kärvar inte lika lätt och är lättare att kontrollera.
- Det motordrivna verktyget och dess tillbehör och verktygsbits osv. måste användas i enlighet med dessa anvisningar, med hänsyn tagen till arbetsförhållandena och arbetet som ska utföras. Användning av motordrivna verktyg i några andra syften än de avsedda kan resultera i en farlig situation.

Service

- Service på det motordrivna verktyget ska utföras av en behörig reparatör och eventuella reservdelar måste vara identiska originaldelar. Detta ser till att det motordrivna verktygets säkerhet hålls intakt.

Särskild säkerhetsinformation

⚠ VARNING

Det här avsnittet innehåller viktig säkerhetsinformation som gäller specifikt för det här verktyget.

Läs dessa försiktighetsåtgärder noggrant innan du använder drivenheten 700 Power Drive, så att du minskar risken för elchock, slag, klämning och andra allvarliga personskador.

SPARA ALLA VARNINGAR OCH ANVISNINGAR SOM REFERENS I FRAMTIDEN!

Förvara den här bruksanvisningen med maskinen, så att operatören alltid har tillgång till den.

Säkerhet för drivenheter

- Följ anvisningarna om korrekt användning av den här maskinen. Du måste ha läst och förstått anvisningar och varningar för all utrustning och allt material som används innan du använder drivenheten. Om du inte följer alla varningar och anvisningar finns risk för allvarliga personskador eller skador på egendom.
- Vid gängning av rör med dimensionen 1" (25 mm) eller större måste stöd användas för att undvika gängkrafter. Använd en lämplig stödanordning i enlighet med dessa anvisningar. Stödanordningar förbättrar kontrollen och minskar risken för slagskador, krosskador och/eller andra personskador.
- Om någon annan stödanordning än den medföljande stödarmen används måste stödanordningen stötts mot motorhuset. Stödanordningar som går emot andra delar kan skada maskindelar eller öka risken för personskador.
- Håll alltid drivenheten ordentligt när gänghuvudet backas av från röret och håll emot gängkrafter oavsett stödanordning. Detta minskar risken för slagskador, krosskador och andra personskador.
- Använd inte den här drivenheten om omkopplaren är trasig. Omkopplaren är en säkerhetsanordning som stänger av motorn om du släpper omkopplaren.
- Bär inte handskar eller löst sittande kläder när du använder maskiner. Knäpp knappar i ärmar och jackor. Sträck dig inte över maskinen eller röret. Kläder kan fastna i röret eller maskinen och trassla in sig.
- En person måste kontrollera arbetsprocessen och maskinfunktionen. Operatören är den enda person som får befinna sig inom arbetsområdet medan maskinen är i drift. Detta hjälper till att reducera risken för personskador.
- Använd inte gängbackar som är slöa eller skadade. Vassa skärande verktyg kräver mindre vridmoment och drivenheten är lättare att kontrollera.
- Håll handtagen torra och rena och fria från olja och fett. Ger bättre kontroll över verktyget.
- Håll golven torra och fria från hala material som t.ex. olja. Hala golv kan lätt orsaka olyckor.
- Använd endast RIDGID gänghuvuden med RIDGID 700 Power Drive. Andra gänghuvuden kanske inte passar exakt i drivenheten, och detta kan öka risken för personskador och skador på utrustningen.
- Vid användning i andra syften än de som beskrivs i den här bruksanvisningen ska du använda en stödanordning som står emot handtagskrafterna. Stödanordningar förbättrar kontrollen och minskar risken för slagskador, krosskador och/eller andra personskador.

Om du har någon fråga om den här RIDGID®-produkten:

- Kontrollera närmaste RIDGID®-distributör.
- Besök RIDGID.com för att lokalisera närmaste RIDGID-representant.
- Kontakta Ridge Tool Technical Service Department på rtctechservices@emerson.com. Om du befinner dig i USA eller Kanada ringer du (800) 519-3456.

Beskrivning, specifikationer och standardutrustning

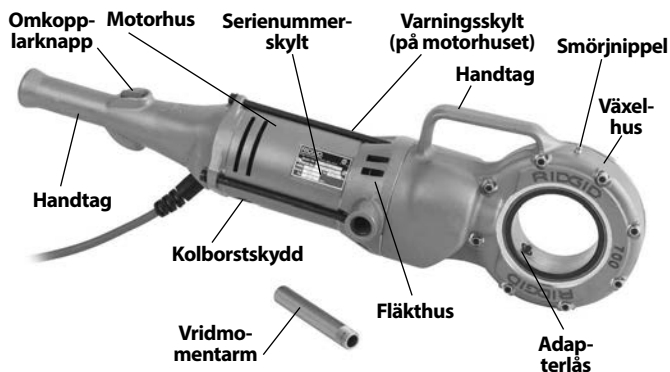
Beskrivning

RIDGID® 700 Power Drive har konstruerats för att ge driveffekt vid gängning av rör och kanaler. Du kan växla mellan fram- och backrotation med en omkopplare.

Drivenheten har konstruerats för RIDGID 12-R gänghuvuden (1/8" – 2" rör). Andra gänghuvuden från RIDGID, t.ex. OO-R och 11-R, kan användas tillsammans med adaptrar.

Vid gängning av rör med diametern 1" eller större, måste en stödanordning, t.ex. nr 775 stödarm eller RIDGID 14" kraftigt rörtång användas för att stå emot gängkrafterna.

Drivenheten kan också användas för att driva röravskäraren RIDGID 258 och annan utrustning, (se "Annan användning").



Figur 1 – Drivenhet 700 Power Drive

Specifikationer

GängkapacitetRör 1/8" till 2" (3 till 50 mm)
Skruv 1/4" till 1" (6 till 25 mm) med 00-RB gänghuvud

Motor:

Typ.....	Universal, reverserbar		
Volt.....	110	120	220-240
Ampere.....	13,5	13,5	6,5
Frekvens.....	50/60 Hz	50/60 Hz	50/60 Hz
Effekt.....	1500	1500	1500

Driftvarvtal.....26-30 varv/min, ingen last

ReglageDubbelstagig vändbar omkopplare med fjädrande återgång till läge AV

VäxelGjuten aluminium, cylindrisk kuggväxel, fjäderbelastade adapterspärar, härdade stålaxeldrev

Mått:

Längd.....	28 1/4" (717 mm)
Bredd.....	6 1/16" (154 mm)
Höjd.....	7 13/16" (198 mm)
Vikt.....	25 lbs. (11 kg)
Ljudtryck (L _{PA})**.....	98,4 dB(A), K=3
Ljudeffekt (L _{WA})**.....	107 dB(A), K=3
Vibration**.....	2,5 m/s ² , K=1,5

* Se maskinens serienummerskylt avseende motorinformation för din specifika maskin – Andra versioner är tillgängliga.

** Ljud- och vibrationsmått mäts i enlighet med ett standardiserat test enligt standard EN 62481-1.

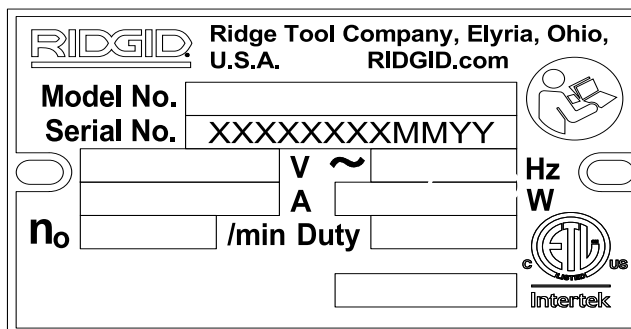
- Vibrationsnivåerna kan användas för jämförelse med andra verktyg och för preliminär bedömning av exponeringen.
- Ljud- och vibrationsutsläppen kan variera beroende på platsen och den specifika användningen av de här verktygen.
- Dagliga exponeringsnivåer för ljud och vibrationer måste utvärderas för varje tillämpning och lämpliga säkerhetsåtgärder vidtas vid behov. Utvärdering av exponeringsnivåer ska väga in tiden när ett verktyg är avstängt och inte används. Det kan minska exponeringsnivån för hela arbetsperioden avsevärt.

Standardutrustning

Drivenhet 700 Power Drive levereras med följande artiklar:

- Drivenhet 700 Power Drive
- Momentarm
- Stödanordning
- Bruksanvisning

Drivenhet 700 Power Drive har en serienummerskylt som sitter undertill på motorhuset. De sista 4 siffrorna visar tillverkningsmånad och -år. (12 = månad, 15 = år).



Figur 2 – Maskinens serienummer

OBS Val av lämpliga material och installation, fognings- och formningsmetoder är systemkonstruktörens och/eller installatörens ansvar. Om felaktiga material eller felaktiga metoder används kan systemfel inträffa.

Rostfritt stål och andra rostskyddade material kan förorenas under installation, fogning och formning. Den här föroreningen kan orsaka korrosion och haverier i förtid. Utför alltid en noggrann utvärdering av material och metoder för specifika serviceförhållanden, inklusive kemisk sammansättning och temperaturer, ska utföras innan någon installation påbörjas.

Inspektion före användning

⚠ VARNING



Kontrollera drivenheten 700 Power Drive före varje användningstillfälle och åtgärda eventuella problem för att minska risken för allvarliga personskador på grund av elchock, krosskador eller andra orsaker, och för att förhindra skador på drivenheten.

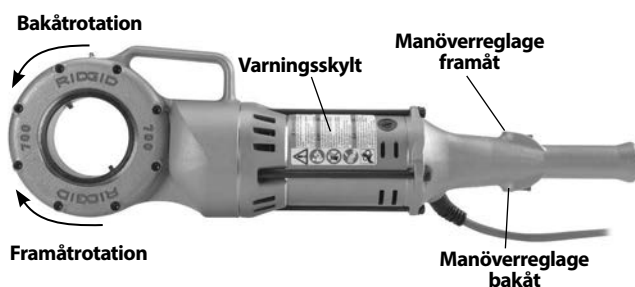
1. Kontrollera att drivenheten är urkopplad.
2. Ta bort all olja, smuts och allt smörjfett från drivenheten och stödanordningen, även från handtag och reglage. Detta underlättar inspektionen och förhindrar att verktyget glider ur handen vid användningen.
3. Kontrollera följande på drivenheten:
 - Skador eller manipuleringar av kabeln eller kontakten.
 - Korrekt montering, underhåll och komplett.

- Skadade, felinställda eller kärvande delar.
- Korrekt funktion hos omkopplaren. Kontrollera den slår om utan problem och att den inte fastnar.
- Alla varningsetiketter ska finnas på plats och vara läsbara (Figur 3).
- Alla andra tillstånd som kan förhindra säker och normal drift.

Använd inte drivenheten eller stödenheten förrän eventuella problem har åtgärdats.

4. Inspektera stödarmen. Kontrollera att griptänderna är rena och i gott skick. Tänderna kan rengöras med en stålborste.
5. Kontrollera gängbackarnas skärande eggarna och titta efter tecken på slitage, deformation, spånor eller andra problem. Slöa eller skadade skärande verktyg kräver högre kraft, ger gängor med dålig kvalitet och ökar risken för personskador.
6. Utför inspektion och underhåll av all annan utrustning enligt anvisningarna och kontrollera att allt fungerar korrekt.
7. Följ anvisningarna för *inställning och användning* och kontrollera sedan att drivenheten fungerar korrekt.
 - Tryck och släpp omkopplaren för rotation FRAMÅT och upprepa för rotation BAKÅT enligt bilden i Figur 3. Kontrollera att drivenheten roterar enligt bilden i Figur 3 och att omkopplaren styr maskinfunktionen. Låt drivenheten stanna helt innan du ändrar riktning med omkopplaren. Detta minskar risken för skador på drivenheten.
 - Tryck och håll in omkopplaren. Kontrollera att de rörliga delarna inte är felinställda eller avger konstiga ljud, inte kärvar och att det inte förekommer några andra problem. Släpp omkopplaren.

Om maskinen inte fungerar som den ska eller om något oväntat inträffar ska du inte använda maskinen förrän problemet har åtgärdats.



Figur 3 – Omkopplarens läge för rotationsriktning

8. Släpp omkopplarknappen, kontrollera att dina händer är torra, och dra ur kontakten.

Inställning och användning

⚠ VARNING



Ställ in och använd drivenheten 700 Power Drive enligt dessa rutiner så att du minskar risken för personskador på grund av elchock, intrassling, slag, krossning och andra orsaker, och så att du hjälper till att undvika skador på drivenheten.

Vid gängning av rör med dimensionen 1" (25 mm) eller större måste stöd användas för att undvika gängkrafter. Använd en lämplig stödanordning i enlighet med dessa anvisningar. Stödanordningar förbättrar kontrollen och minskar risken för slagskador, krossskador och/eller andra personskador.

Håll alltid drivenheten ordentligt när gänghuvudet backas av från röret och håll emot gängkrafter oavsett stödanordning. Detta minskar risken för slagskador, krossskador och andra personskador.

Stötta upp röret ordentligt. Detta minskar risken för fallande rör, tippning och allvarliga personskador.

Använd inte en drivenhet utan en korrekt fungerande omkopplarknapp.

Bär inte handskar eller löst sittande kläder när du använder maskiner. Knäpp knappar i ärmar och jackor. Sträck dig inte över maskinen eller röret. Kläder kan fastna i röret eller maskinen och trassla in sig.

En person måste kontrollera både arbetsprocessen och omkopplarknappen. Utrustningen ska inte användas av mer än en person. Vid intrassling måste operatören kunna behålla kontrollen över omkopplaren.

1. Kontrollera att arbetsområdet uppfyller följande:
 - Tillräcklig belysning.
 - Inga brandfarliga vätskor, ångor eller damm som kan antändas. Arbeta inte inom området förrän alla risker har identifierats och åtgärdats. Drivenheterna är inte explosionssäkra och kan generera gnistor.
 - Tydlig, plan, stabil och torr plats för all utrustning och för operatören.
 - God ventilation. Använd inte utrustningen under långa perioder på små och begränsade utrymmen.
 - Korrekt anslutet eluttag med rätt spänning. Låt en behörig elektriker kontrollera uttaget om du är osäker.
 - Ta bort alla eventuella hinder framför eluttaget så att det inte finns något som kan skada elkabeln.

2. Inspektera röret som ska gängas och dess tillhörande kopplingar, och kontrollera att den drivenheten 700 Power Drive är rätt verktyg för uppgiften. *Se Specifikationer.*

Utrustning för andra uppgifter finns i katalogen från Ridge Tool och online på RIDGID.com. Du kan även ringa Ridge Tool Technical Service i USA och Kanada på telefon (800) 519-3456.

3. Kontrollera att all utrustning som ska användas har genomgått erforderliga inspektioner.
4. Preparera röret på rätt sätt efter behov. Kontrollera att röret kapas rätvinkligt och utför avgradning. Rör som kapas i sned vinkel kan skada gängbackarna under gängning och dessutom blir det svårare för gänghuvudet att greppa.
5. Kontrollera att röret som ska gängas är stabilt och säkert för att förhindra tippning under användning. Använd lämpliga rörstativ för att stötta upp rörlängden.
6. Kontrollera gängoljenivån i smörjapparaten RIDGID 418. Ta bort spånkorgen och kontrollera att filtret är rent och helt nedsänkt i olja. Byt eller fyll på olja vid behov. Placera uppsamlingsbehållaren för smörjapparaten 418 under röränden som ska gängas.

Installera gänghuvuden

1. Kontrollera att drivenheten är urkopplad från uttaget.
2. Tryck in gänghuvudet 12-R eller adaptern (*se Extrautrustning*), med den räfflade änden först, ordentligt in i drivenheten tills räfflorna greppar ordentligt. (*Figur 4*). Gänghuvudet eller adaptern kan sättas in i valfri ände av drivenheten. I vissa fall kan gänghuvuden/adaptrar behöva vridas för att låsanordningen ska greppa. Hos adaptrar typ 770 och 773 måste gänghuvudet ha monterats i adaptern innan denna sätts in i drivenheten.
3. Du kan lossa gänghuvudet genom att dra det rakt ut ur drivenheten. Du kan använda en mjuk plasthammare eller ett träblock för att knacka ut gänghuvudet, om så behov. Slå inte på gänghuvudet eftersom detta kan skada verktyget.



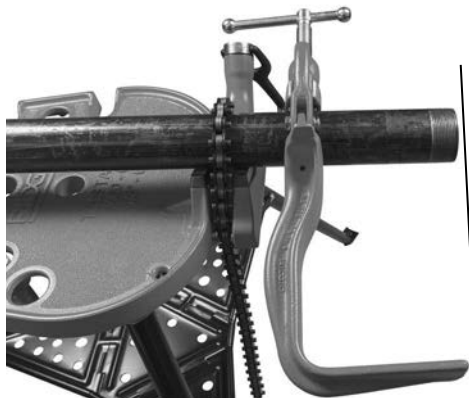
Figur 4 – Montera gänghuvuden i drivenheten 700 Power Drive

Stå emot gängkrafter (stödenheter)

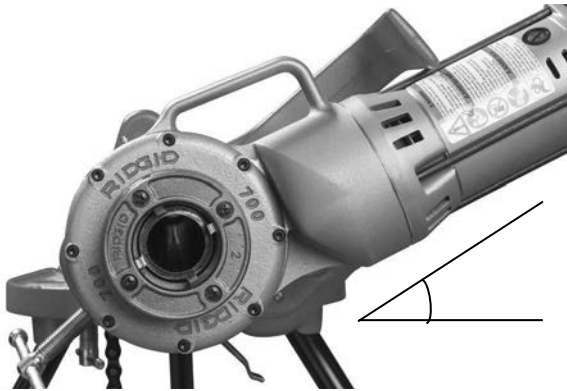
För högergång kommer gänghuvudet att rotera medurs (när operatören tittar på gänghuvudets yta). Gängmomentet kommer att gå i motsatt (moturs) riktning. Rotation och kraft reverseras vid vänstergångor. Kontrollera att stödutrustningen är korrekt inställd så att den kan absorbera och stå emot gängkraften.

Använd nr 775 stödarm:

1. Stödarmens gaffelhake kan monteras på valfri sida. Dra åt upphängningsskruven.
2. Sätt stödarmen på rörets så att stödarmens ände är i linje rörets ände och drivenheten 700 Power Drive är strax ovanför vågrätt läge (*Figur 5 och 6*). Stödarmen står då rätt för gängning och hindrar gängolja från att rinna ned längs drivenheten.
3. Kontrollera att stödarmens käftar är rätt inriktade utefter röret och dra åt stödarmen på säkert sätt.



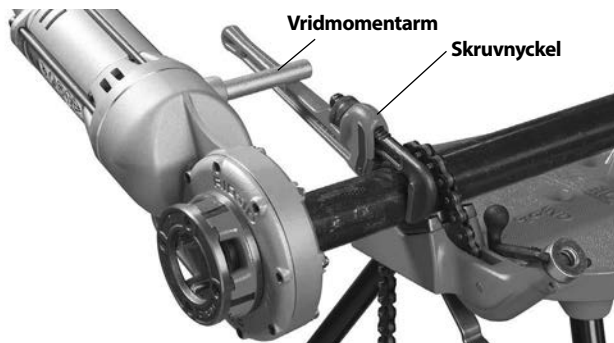
Figur 5 – Stödarm i linje med rörets ände



Figur 6 – Stödarm med drivenheten 700 Power Drive strax över vavrätt läge

Använd en kraftig rörtång modell RIDGID 12", 14" eller 18":

1. Montera momentarmen i fläkthuset i drivenheten 700 Power Drive. En 5" (127 mm) långt stycke ½" stålrör 80 med ½" NPT-gänga kan också användas.
2. Sätt en RIDGID kraftig rörtång 12", 14" eller 18" cirka 7" (175 mm) från rörets ände (se Figur 7). Testa och bekräfta att rörtången sitter säkert och att den inte kommer att falla eller röra sig.
3. När gängningen startas kommer momentarmen att vila på rörtångens handtag.



Figur 7 – Gängning med rörtång som stödarm

Andra stödmetoder:

Sätt drivenhetens motorhus (se Figur 1) mot en närliggande stabil del (till exempel väggar, balkar och reglar). Röret som gängas samt omgivningarna måste här kunna stå emot verktygets vikt plus gängkrafterna. Det kan vara nödvändigt att lägga till tillfälliga eller permanenta röstöd eller bärande delar för att stå emot gängkrafterna ordentligt.

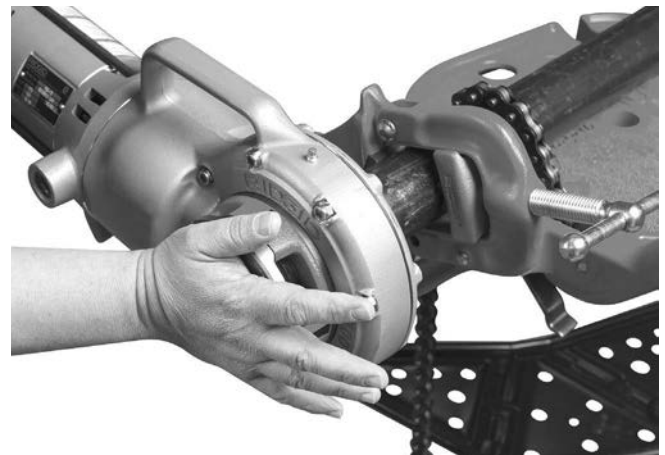
För rör med ¾" diameter och mindre:

Rör med nominell dimension ¾" eller mindre kan gängas utan att någon stödordning används. I det här står operatören emot gängkrafterna. Röret måste vara ordentligt

säkrat för att förhindra rotation. Håll alltid drivenheten ordentligt när gänghuvudet backas bort från röret för att stå emot krafterna. Detta minskar risken för slagskador, krosskador och andra personsador.

Gängning

1. Håll drivenheten med torra händer och anslut den.
2. Placera gänghuvudet över röret och stötta upp drivenheten enligt beskrivningen i avsnittet Stå emot gängkrafter. Håll alltid drivenheten mot stödenheten. Sätt ingenting mellan drivenheten och stödenheten – detta ökar risken för kläm- och krosskador.
3. Använd rätt arbetsställning så att du håller kontroll på maskinen (se Figur 9).
 - Håll god balans och sträck dig inte för långt.
 - Du måste kunna kontrollera omkopplarknappen och maskinen. Tryck inte på omkopplaren än. Vid nödsituation måste du kunna släppa omkopplaren.



Figur 8 – Starta gängan

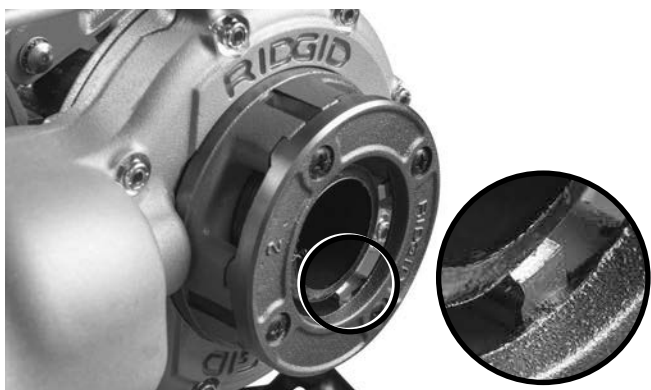
4. Tryck samtidigt på omkopplarknappen (se Figur 3) och tryck mot gänghuvudets täckplatta med handflatan på den fria handen för att starta gängan (Figur 8). Bär inte handskar eller smycken och använd inte någon trasa eller liknande när du trycker på täckplattan – detta ökar risken för intrassling och personsador. När gängbackarna greppar röret skärs gängorna när gängbackarna drar sig själva på röränden.

Håll alltid drivenhetens handtag i ett fast grepp så att du kan hålla emot krafterna. Stödordningar kan halva vilket kan göra att drivenheten flyttar sig. Du kan släppa omkopplarknappen när som helst för att stänga AV drivenheten.



Figur 9 – Rörgängning

5. Sluta trycka på täckplattan och använd smörjapparatens för att lägga på en riklig mängd RIDGID skärolja på området som ska gängas. Detta sänker gängmomentet, ökar gängkvaliteten och förlänger gängbackarnas livslängd.
6. Håll omkopplaren nedtryckt tills rörets ände är i linje med gängbackarna (Figur 10). Kontrollera att drivenheten inte går emot stödenheten. Släpp omkopplarknappen. Låt drivenheten gå tills att den har stannat helt.

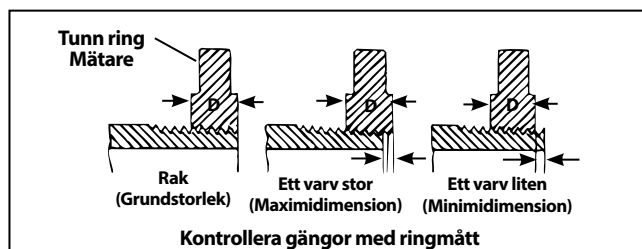


Figur 10 – Röret i linje med gängbackarnas kant

7. Lossa gänghuvudet från det gängade röret genom att dra omkopplarknappen i motsatt riktning. Håll drivenhetens handtag i ett fast grepp så att du kan hålla emot krafterna som utvecklas när gänghuvudet backas av och gängspånorna bryts.
8. Släpp omkopplaren och ta loss drivenheten och gänghuvudet från röret.
9. Torka av händerna och dra ur kontakten till drivenheten.
10. Torka bort olja och skräp från gängorna och gänghuvudet, och var försiktig så att du inte skär dig på vassa spånor eller egg. Torka upp alla oljespill i arbetsområdet.

Inspektera gängor

1. Ta bort olja, spånor och skräp från gängan.
2. Kontrollera gängan visuellt. Gängorna ska vara jämna och fullständiga, och ha rätt form. Vid problem som t.ex. trasiga gängor, tunna gängor eller ovala rör kanske gängan inte tätar ordentligt när den skruvas in. Se tabellen under "Felsökning" för hjälp med att diagnostisera dessa problem.
3. Kontrollera gängans mått. Det bästa sättet att kontrollera gängdimensionen är med ett ringmått. Ringmått finns i diverse modeller och deras användning kan avvika från den som visas i Figur 11.
 - Skruva fast ringmättet på gängan med handkraft.
 - Se hur långt röränden går igenom ringmättet. Rörets ände ska vara i linje med ringmättets sida plus eller minus ett varv. Om gängan inte passar ordentligt – kapa av gängan, justera gänghuvudet och skär ytterligare en gänga. Om du använder en gänga som inte passar ordentligt kan läckor uppstå.



Figur 11 – Kontrollera gängdimensionen

- Om det inte finns något ringmått till hands för mätning av en gängdimension kan du använda en ny, ren gänga med känd dimension för att mäta gängdimensionen. NPT-gängor på 2" eller mindre ska gängas så att du får gänga 4 till 5 varv med handkraft. BSPT-gängor på 2" eller mindre dimensioner ska gängas så att du får 3 varv.

Drivenhet 700 Power Drive – Annan användning

Den här bruksanvisningen innehåller specifika anvisningar för användning av drivenheten 700 Power Drive vid gängning med diverse gänghuvuden från RIDGID. Vid användning tillsammans med annan RIDGID-utrustning (t.ex. motordriven rörkap RIDGID 258/258XL) ska du följa anvisningarna och varningarna för inställning och användning av den aktuella utrustningen.

Ridge Tool kan inte tillhandahålla specifika anvisningar för alla tänkbara användningsområden för drivenheten 700 Power Drive. Användaren måste bedöma arbetsplatsen och använda sunda arbetsrutiner och metoder. Om du är tveksam angående användning av drivenheten 700 Power Drive i dessa andra syften ska du inte använda utrustningen.

Om du använder drivenheten 700 Power Drive till andra uppgifter ska du bedöma och förbereda arbete noggrant enligt de allmänna riktlinjerna nedan. Drivenheten 700 Power Drive ger högt vridmoment och höga handtagskrafter som kan orsaka slag- och krosskador.

- RIDGID 774 fyrkantadapter kan användas med drivenheten 700 Power Drive och 1 $\frac{5}{16}$ " fyrkantdrivning. Montera adaptern säkert så att den inte kan lossna under användning.
- Du måste använda rätt metod så att du kan stå emot alla handtagskrafter (Se avsnittet "Stå emot handtagskrafter"). Krafterna kan överstiga 1 000 lbs (455 kg). Stödenheter kan sättas mot motorhuset eller fläkthuset i drivenheten 700 Power Drive (Figur 1).
- Håll alltid drivenheten mot stödenheten – håll aldrig några kroppsdelar mellan drivenheten och stödenheten.
- Det ska inte förekomma någon inbördes rörelse mellan drivenheten och stödenheten under användning.
- Kontrollera att arbetsuppgiften (till exempel drivning eller omställning av en ventil) kan utföras utan hinder, att ingen kärvning förekommer samt att du vet var rörelsernas ändpunkter ligger. Om systemet kärvar eller stannar under användning kommer handtagskrafterna att öka plötsligt och kraftigt, och drivenheten kan börja rotera.
- Om du utför omställning av ventiler eller annan utrustning måste du följa alla anvisningar från tillverkaren. Överbelasta inte utrustningen.
- Använd drivenheten 700 Power Drive så att reaktionskraften drar i riktning bort från användaren.
- Släpp omkopplarknappen när som helst om du behöver stänga av drivenheten. Kontrollera att du kan släppa omkopplarknappen.

Anvisningar för underhåll

⚠ VARNING

Kontrollera att omkopplarknappen är frisläppt och att maskinen är urkopplad innan du utför något underhåll eller några justeringar.

Underhåll verktyget enligt dessa rutiner för att minska risken för personskador p.g.a. elchock, kläm- och skärskador eller annat.

Rengöring

1. Töm ut spånorna efter gängningen från uppsamlingsbehållaren för smörjapparaten 418 och torka bort alla oljerester.
2. Torka av all olja, smuts och allt smörjfett från drivenheten, även från handtag och reglage.
3. Torka av olja, smuts och fett från stödarmen. Rengör stödarmens käftar med en stålborste om så behövs.
4. Ta bort spånor och smuts från gänghuvudena.

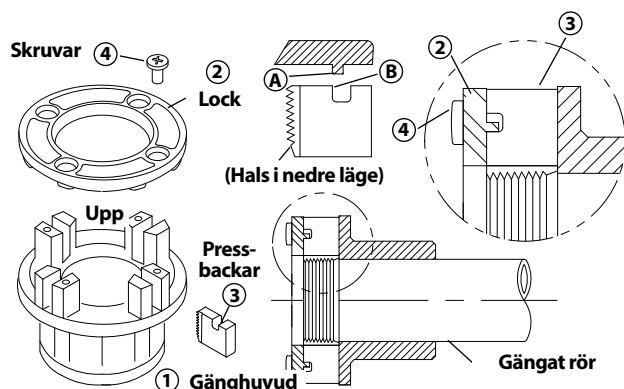
Smörjning

Använd en smörjpistol och fyll på litiumsmörjfett (Lithium EP–Extreme Pressure) genom smörjniplarna på växelhuset (se Figur 1) med 3 till 6 månaders intervall, beroende på maskinanvändning.

Byta gängbackar i gänghuvud 12-R

Det finns diverse gängbackar som är avsedda att användas i gänghuvuden typ RIDGID 12-R. Se katalogen för uppgift om tillgänglighet.

1. Ta bort de fyra skruvarna (4), täckplattan (2) och gängbackarna (3) från gänghuvudet.
2. Sätt in nya gängbackar med den numrerade kanten (1, 2, 3, 4) uppåt. Siffrorna på gängbackarna måste stämma överens med siffrorna på gängbackarnas plattor. Byt alltid ut hela uppsättningen gängbackar.
3. Montera täckplattan (2) och skruvarna (4) och dra åt skruvarna lätt.
4. Skruva in en gängad rörände i gängbackarna tills de börjar gängas. Detta tvingar fram ett stopp på gängbackarna B utåt mot tappen A på täckplattan och ställer in dimensionen korrekt.
5. Dra åt de fyra skruvarna ordentligt. Ta bort det gängade röret och gör en testskärning.


Figur 12 – Montera gängbackar i gänghuvud

Byta kolborstar i motorn

Kontrollera motorns borstar med 6 månaders intervall. Byt ut dem när de har slitits ned under ¼" (6 mm).


Figur 13 – Montera kolborstar

1. Koppla ur maskinen från strömkällan.
2. Skruva loss borstskydden. Ta bort och inspektera kolborstarna. Byt ut dem när de har slitits ned under ¼" (6 mm). Kontrollera om kommutatorn är sliten. Lämna in verktyget på service om slitaget är högt.
3. Sätt tillbaka kolborstarna/montera nya kolborstar.
4. Kör enheten på tomgång under 15 minuter i framåtriktningen åtföljt av 15 minuter i backriktningen så att kolborstarna går emot kommutatorn före användning.

Extrautrustning

⚠ VARNING

Minska risken för allvarliga personskador genom att endast använda utrustning som är särskilt konstruerad och rekommenderas för användning med drivenheten 700 Power Drive, t.ex. de som anges nedan.

Katalognr	Beskrivning
42600	770 Adapter för 00-R (½" – 1") och 00-RB (¼" – 1")
42605	771 Adapter för 0-R (½" – 1")
42610	772 Adapter för 11-R (½" – 1¼")
42615	773 Adapter för 111-R (½" – 1¼")
42620	774 Adapter för fyrkantdrivning – ⅜"
42625	775 Stödarm
46615	Vridmomentarm
42950	B-171-X Transportväska i metall
10883	418 Smörjare med 1 gallon gängskärolja Premium
41620	Växellådsfett

Mer information om utrustning för drivenheten 700 Power Drive och specifika verktyg återfinns i RIDGID-katalogen samt online på RIDGID.com.

Förvara maskinen

⚠ VARNING Drivenheten 700 Power Drive måste hållas inomhus eller väl skyddad i regnväder. Förvara maskinen i ett låst utrymme på behörigt avstånd från barn och personer som inte är behöriga att använda maskinerna. Den här maskinen kan orsaka allvarliga personskador i händerna på otränade användare.

Service och reparationer

⚠ VARNING

Felaktigt utförd service eller reparation kan göra maskinen osäker att använda.

Se avsnittet *Anvisningar för underhåll* för uppgifter om service på maskinen. Problem som inte beskrivs där måste hanteras av behörig servicetekniker från RIDGID.

Verktyget ska tas till ett oberoende RIDGID-servicecenter eller återsändas till fabriken. Använd endast reservdelar från RIDGID.

För information om närmaste oberoende RIDGID servicecenter eller om du har frågor om service/reparationer:

- Kontakta närmaste RIDGID-distributör.
- Besök RIDGID.com för att lokalisera närmaste RIDGID-representant.
- Kontakta Ridge Tool Technical Service Department på rtctechservices@emerson.com. Om du befinner dig i USA eller Kanada ringer du (800) 519-3456.

Information om gängskärolja

Du måste läsa och följa alla anvisningar på gängoljans märkskylt och på säkerhetsdatabladet (SDS). Specifik information om RIDGID gängskäroljor, inklusive riskidentifiering, första hjälpen, brandskydd, åtgärder vid oavsiktliga utsläpp, hantering och förvaring, personlig skyddsutrustning, bortskaffande och transport, återfinns på behållaren och på säkerhetsdatabladet. Du hittar säkerhetsdatablad hos RIDGID.com. Du kan även kontakta Ridge Tool Technical Service Department på (800) 519-3456 i USA och Kanada, eller skicka e-post till rttechservices@emerson.com.

Bortskaffande

Delar av drivenheten 700 Power Drive innehåller värdefulla material som kan återvinnas. Det finns företag som specialiserar sig på återvinning. Bortskaffa komponenterna i överensstämmelse med alla gällande bestämmelser. Kontakta återvinningsmyndigheten i din kommun för mer information.



För EG-länder: Elektrisk utrustning får inte kastas i hushållssoporna!

Enligt EU-direktivet 2012/19/EU om avfall som utgörs av eller innehåller elektriska och elektroniska produkter måste elektrisk utrustning som inte längre kan användas samlas in separat och bortskaffas på ett miljömässigt korrekt sätt.

Felsökning

PROBLEM	TÄNKBARA ORSAKER	LÖSNING
Maskinen startar inte.	Kolborstarna rör inte vid rotn.	Kontrollera kolborstarna, byt ut dem om de är slitna.
Maskinen kan inte utföra gängning.	Gängbackarna är slitna.	Byt ut gängbackarna.
	Överbelastning på grund av slitna eller ovala gängor.	Se tänkbara orsaker nedan.
	Gängolja med dålig kvalitet eller otillräcklig mängd.	Använd RIDGID gängskärolja i tillräcklig mängd.
	Otillräcklig matningsspänning.	Kontrollera spänningsmatningen.

Felsökning (Fortsättning)

Tunna gängor.	<p>Otillräcklig kontakt mellan borstar och kommutator</p> <p>Kolborstarna rör inte vid kommutatorn som de ska.</p> <p>Kolborstarna kommer från fel tillverkare.</p> <p>Nya kolborstar.</p>	<p>Dra åt kolborstskydderna och kontrollera att borstarna ligger an ordentligt mot kommutatorn.</p> <p>Byt ut slitna kolborstar och/eller rotor.</p> <p>Använd endast kolborstar från RIDGID.</p> <p>Låt kolborstarna köras in genom att köra enheten på tomgång under 15 minuter i fram- respektive backläget.</p>
Gänghuvudet startar inte gängningen.	<p>Gänghuvudet är inte i linje med rörets ände.</p> <p>Ingreppskraften leds inte till gänghuvudet på rätt sätt.</p> <p>Röränden har kapats snett.</p> <p>Ut slitna eller trasiga gängbackar.</p> <p>Maskinen körs i fel riktning.</p> <p>Gängbackarna sitter fel i gänghuvudet.</p>	<p>Håll mot gänghuvudets täckplatta för att starta gängningen.</p> <p>Kontrollera att ingreppskraften går genom rörets centrumlinje.</p> <p>Kapa röränden rakt.</p> <p>Byt ut gängbackarna.</p> <p>Kör maskinen i rätt riktning.</p> <p>Kontrollera att gängbackarna sitter rätt i förhållande till tapparna.</p>
Slitna gängor.	<p>Skadade, kantstöta eller ut slitna gängbackar.</p> <p>Gängolja i dålig kvalitet eller otillräcklig mängd.</p> <p>Fel typ av gängback för materialet.</p> <p>Dåligt rörmaterial/dålig rörkvalitet.</p>	<p>Byt ut gängbackarna.</p> <p>Använd endast RIDGID® gängolja i tillräcklig mängd.</p> <p>Välj gängbackar i snabbstål, rostfritt stål eller legeringar som passar för uppgiften.</p> <p>Använd rör med högre kvalitet.</p>
Ovala eller krossade gängor.	<p>Rörets vägg tjocklek är för tunn.</p>	<p>Använd vägg tjocklek 40 eller kraftigare.</p>
Stödenheten vrids under gängning.	<p>Stödarmarnas gripdon är smutsiga.</p> <p>Stödarmen är felställd.</p> <p>Stödarmen är lös.</p>	<p>Rengör med stålborste.</p> <p>Rikta in stödarmen korrekt efter röret.</p> <p>Dra åt matarskruven.</p>
Tunna gängor.	<p>Gängbackarna sitter i fel ordning.</p>	<p>Sätt gängbackarna på rätt platser.</p>

Elektrisk rørdrev

700



⚠ ADVARSEL!

Læs denne brugervejledning grundigt, før du bruger dette værktøj. Det kan medføre elektrisk stød, brand og/eller alvorlig personskade, hvis indholdet i denne vejledning ikke læses og følges.

Elektrisk rørdrev 700

Skriv produktets serienummer, som du finder på mærkepladen, nedenfor, og sørg for at gemme det.

Serie-
nr.

Indholdsfortegnelse

Registreringsformular til maskinserienummer	121
Sikkerhedssymboler	123
Generelle sikkerhedsadvarsler for maskinværktøj	123
Sikkerhed i arbejdsområdet	123
Elektrisk sikkerhed	123
Personlig sikkerhed	124
Anvendelse og vedligeholdelse af maskinværktøj	124
Service	124
Specifik sikkerhedsinformation	125
Sikkerhed i relation til det elektriske rørdrev	125
Beskrivelse, specifikationer og standardudstyr	125
Beskrivelse	125
Specifikationer.....	126
Standardudstyr.....	126
Eftersyn før brug	126
Opsætning og drift	127
Montering af skærehoveder.....	128
Modstandsdygtighed over for gevindskæringskræfter	128
Gevindskæring	129
Kontrol af gevind	131
Elektrisk rørdrev 700 – Andre anvendelser	131
Vedligeholdelsesvejledning	132
Rengøring	132
Smøring	132
Skift af bakker i 12-R gevindskærehoveder	132
Udskiftning af børster i motor	132
Ekstraudstyr	133
Opbevaring af maskinen	133
Service og reparation	133
Information om gevindskæreeolie	133
Bortskaffelse	133
Fejlfinding	134
EF-overensstemmelseserklæring	Inderside af bagside
Livstidsgaranti	Bagside

*Oversættelse af den originale brugsanvisning

Sikkerhedssymboler

I denne brugervejledning og på selve produktet anvendes sikkerhedssymboler og signalord til at udkommunikere vigtige sikkerhedsoplysninger. Dette afsnit indeholder yderligere oplysninger om disse signalord og symboler.



Dette er symbolet for en sikkerhedsmeddelelse. Symbolet bruges til at gøre dig opmærksom på en potentiel fare for personskade. Overhold alle sikkerhedsmeddelelser, der efterfølger dette symbol, for at undgå mulig personskade eller dødsfald.



FARE FARE angiver en farlig situation, som vil resultere i død eller alvorlig personskade, hvis den ikke undgås.



ADVARSEL ADVARSEL angiver en farlig situation, som kan resultere i død eller alvorlig personskade, hvis den ikke undgås.



FORSIGTIG FORSIGTIG angiver en farlig situation, som kan resultere i mindre eller moderat personskade, hvis den ikke undgås.



BEMÆRK BEMÆRK angiver oplysninger, der vedrører beskyttelse af ejendom.



Dette symbol betyder, at du skal læse brugervejledningen grundigt, før du anvender udstyret. Brugervejledningen indeholder vigtige oplysninger om sikker og korrekt brug af udstyret.



Dette symbol betyder, at du altid skal bære sikkerhedsbriller med sideværn eller beskyttelsesbriller, når du håndterer eller anvender dette udstyr, for at nedsætte risikoen for øjenskader.



Dette symbol angiver, at der er risiko for at fingre, hænder, tøj og andre genstande kan blive fanget på eller mellem tandhjul eller andre roterende dele med knusningsskader til følge.



Dette symbol angiver, at der er risiko for elektrisk stød.



Dette symbol angiver, at der er risiko for, at maskinen kan vælte og forårsage slag- eller knusningsskader.



Dette symbol betyder, at der ikke må anvendes handsker under arbejdet med denne maskine på grund af faren for indfiltrering.



Dette symbol betyder, at der altid skal anvendes en støtteanordning for at modstå gevindskæringskraften, forbedre styringen og nedsætte risikoen for personskade.

Generelle sikkerhedsadvarsler for maskinværktøj*



Læs og forstå alle anvisninger. Det kan medføre elektrisk stød, brand og/eller alvorlig personskade, hvis de i det følgende anførte anvisninger ikke overholdes.

GEM ALLE ADVARSLER OG ANVISNINGER TIL SENERE BRUG!

Termen "maskinværktøj" i advarslerne henviser til dit el-drevne (kablede) maskinværktøj eller batteridrevne (kabellose) maskinværktøj.

Sikkerhed i arbejdsområdet

- **Hold arbejdsområdet rent og godt oplyst.** Rodede eller mørke områder øger risikoen for ulykker.
- **Brug ikke maskinværktøjer i eksplosive atmosfærer, som f.eks. ved tilstedeværelse af brændbare væsker, gasser eller støv.** Maskinværktøjer danner gnister, som kan antænde støv eller dampe.
- **Hold børn og uvedkommende på afstand, når et maskinværktøj bruges.** Du kan miste kontrollen, hvis du bliver distraheret.

Elektrisk sikkerhed

- **Maskinværktøjets stik skal passe til stikkontakten. Foretag aldrig ændringer af stikket på nogen måde. Brug ikke adapterstik sammen med jordede maskinværktøjer. Jordforbundne værktøjer skal tilsluttes en stikkontakt, der er korrekt installeret og jordforbundet i henhold til alle lovregler og bestemmelser. Fjern aldrig jordingsbenet, og foretag ikke ændring af stikket på nogen måde. Hvis du er i tvivl om, hvorvidt stikkontakten er korrekt jordet, skal du bede en faguddannet elektriker om at kontrollere det.** Uændrede stik og passende stikkontakter nedsætter risikoen for elektrisk stød.
- **Undgå kropskontakt med jordede/stelforbundne overflader, som f.eks. rør, radiatorer, komfurer og køleskabe.** Der er en øget risiko for elektrisk stød, hvis din krop har jord-/stelforbindelse.
- **Udsæt ikke maskinværktøjer for regn eller våde forhold.** Hvis der trænger vand ind i maskinværktøjet, øges risikoen for elektrisk stød.
- **Håndter ledningen korrekt. Brug aldrig ledningen til at løfte eller bære værktøjet eller til at trække stikket ud af en stikkontakt. Hold ledningen væk fra varme, olie, skarpe kanter og bevægelige dele. Udskift be-**

* Teksten i afsnittet Generelle sikkerhedsadvarsler for maskinværktøj i denne vejledning er efter behov overtaget ordret fra den relevante standard UL/CSA 62841-1. Dette afsnit indeholder information om generel sikkerhedspraksis for mange forskellige typer maskinværktøj. Det er ikke alle forholdsregler, der gælder for hver eneste værktøj, og nogle forholdsregler gælder ikke for dette værktøj.

skadigede ledninger med det samme. Beskadigede ledninger øger risikoen for elektrisk stød.

- **Anvend en forlængerledning, der er mærket "W-A" eller "W", når et maskinværktøj anvendes udendørs.** Disse ledninger er klassificeret til udendørs brug og nedsætter risikoen for elektrisk stød.
- **Brug en strømkilde med fejlstrømsafbryder, hvis et maskinværktøj absolut skal anvendes et fugtigt sted.** Brugen af en fejlstrømsafbryder nedsætter risikoen for elektrisk stød.

Personlig sikkerhed

- **Vær opmærksom, hold øje med det, du foretager dig, og brug almindelig sund fornuft ved anvendelse af et maskinværktøj.** Anvend ikke et maskinværktøj, når du er træt eller påvirket af stoffer, alkohol eller medicin. Et øjeblik uopmærksomhed, mens du bruger maskinværktøjer, kan medføre alvorlig personskade.
- **Brug personligt beskyttelsesudstyr.** Brug altid beskyttelsesbriller. Beskyttelsesudstyr, som f.eks. støvmaske, skridsikkert sikkerhedsfodtøj, hjelm eller høreværn, der anvendes under de relevante forhold, vil begrænse personskaderne.
- **Forebyg utilsigtet start.** Kontrollér, at kontakten er slået fra (OFF), inden strømkilden og/eller batterienheden tilsluttes, værktøjet samles op eller transporteres. Det øger risikoen for ulykker at bære maskinværktøjer med fingeren på kontakten eller at strømføde maskinværktøjer, hvor kontakten er slået til.
- **Fjern eventuelle justeringsnøgler eller tænger, inden der tændes for maskinværktøjet.** En tang eller nøgle, der er forblevet fastgjort til en roterende del på maskinværktøjet, kan eventuelt forårsage personskade.
- **Brug ikke værktøjet i uhensigtsmæssige arbejdsstillinger.** Hav altid ordentligt fodfæste og god balance. Dette giver bedre kontrol over maskinværktøjet i uventede situationer.
- **Brug fornuftigt arbejdstøj.** Bær ikke løstsiddende tøj eller smykker. Hold hår og tøj væk fra bevægelige dele. Løst tøj, smykker eller langt hår kan blive fanget i bevægelige dele.
- **Sørg for, at støvudsugnings- og opsamlingsenheder er tilsluttet og anvendes korrekt, hvis der er mulighed for tilslutning af disse.** Anvendelse af støvopsamling kan mindske de støvrelaterede farer.

Anvendelse og vedligeholdelse af maskinværktøj

- **Forsøg ikke på at forcere maskinværktøj. Brug det korrekte maskinværktøj til anvendelsesformålet.** Det korrekte maskinværktøj udfører opgaven bedre og mere sikkert i den hastighed, som det er konstrueret til.
- **Brug ikke maskinværktøjet, hvis kontakten ikke tænder og slukker for værktøjet.** Ethvert maskinværktøj, som ikke kan styres med kontakten, er farligt og skal repareres.
- **Afbryd stikket fra strømkilden og/eller batterienheden fra maskinværktøjet, inden der foretages justeringer, skiftes tilbehør eller maskinværktøjet lægges til opbevaring.** Disse forebyggende sikkerhedsforanstaltninger nedsætter risikoen for utilsigtet start af maskinværktøjet.
- **Opbevar inaktive maskinværktøjer, så de er utilgængelige for børn, og lad ikke personer, der ikke er fortrolige med brugen af maskinværktøjet eller disse anvisninger, bruge værktøjet.** Maskinværktøjer er farlige i hænderne på uerfarne brugere.
- **Vedligehold maskinværktøjer.** Kontrollér, om bevægelige dele er fejljusteret eller binder, om dele er ødelagt, og om der er andre forhold, som kan påvirke maskinværktøjets funktion. Hvis maskinværktøjet er beskadiget, skal det repareres inden brug. Mange ulykker skyldes dårligt vedligeholdt maskinværktøj.
- **Hold skæreværktøjer skarpe og rene.** Det er mindre sandsynligt, at korrekt vedligeholdte skæreværktøjer med skarpe skær binder, og de er nemmere at styre.
- **Brug maskinværktøjet, tilbehør, indsatser osv. i overensstemmelse med disse anvisninger og under hensyntagen til arbejdsforholdene og det arbejde, der skal udføres.** Hvis maskinværktøjet anvendes til andre formål, end hvad det er beregnet til, kan det medføre farlige situationer.

Service

- **Få maskinværktøjet serviceret af en kvalificeret tekniker, der udelukkende anvender identiske reservedele.** På denne måde opretholdes sikkerheden ved maskinværktøjet.

Specifik sikkerhedsinformation

⚠ ADVARSEL

Dette afsnit indeholder vigtig sikkerhedsinformation, der gælder specifikt for dette værktøj.

Læs disse forholdsregler nøje, før du bruger det elektriske rørdrev 700, for at nedsætte risikoen for elektrisk stød, slag, knusning eller anden form for alvorlig personskade.

GEM ALLE ADVARSLER OG ANVISNINGER TIL SENERE BRUG!

Opbevar denne vejledning sammen med maskinen, så operatøren har den ved hånden.

Sikkerhed i relation til det elektriske rørdrev

- Følg anvisningerne for korrekt anvendelse af denne maskine. Læs og forstå anvisningerne og advarslerne i relation til alt udstyr og materiale, der anvendes, inden det elektriske rørdrev tages i brug. Hvis samtlige advarsler og anvisninger ikke overholdes, kan det medføre skader på ejendom og/eller alvorlig personskade.
- Anvend en støtteanordning til at modstå gevindskæringskræfterne ved gevindskæring af rør på 1" (25 mm) eller derover. Anvend en passende støtteanordning i henhold til disse anvisninger. Støtteanordninger forbedrer kontrollen og nedsætter risikoen for slag- og knusningsskader og/eller andre skader.
- Hvis der anvendes en anden støtteanordning end støttearmen, skal støtteanordningen reagere mod motorhuset. Støtteanordninger, der er i kontakt med andre dele, kan beskadige maskindelene eller øge risikoen for personskade.
- Hold altid godt fast i det elektriske rørdrev for at modstå gevindskæringskræfterne, når der foretages gevindskæring eller gevindskærehovedet køres af røret, uanset om der anvendes en støtteanordning. Dette nedsætter risikoen for slag- og knusningsskader samt andre former for personskade.
- Brug ikke dette elektriske rørdrev, hvis kontaktknappen er defekt. Denne kontakt er en sikkerhedsanordning, der giver dig mulighed for at slå motoren fra ved at slippe kontakten.
- Bær ikke handsker eller løstsiddende tøj, mens du betjener en maskine. Tilknap altid ærmer og jakker. Ræk ikke henover maskinen eller røret. Tøj kan blive fanget af røret eller maskinen, hvilket kan føre til indfiltring.
- Én person skal styre arbejdsprocessen og maskinens drift. Kun operatøren bør være i arbejdsområdet, når

maskinen kører. Dette bidrager til at nedsætte risikoen for personskade.

- Brug ikke bakker, der er sløve eller beskadigede. Skarpe skæreværktøjer kræver et mindre moment, og det elektriske rørdrev er lettere at styre.
- Hold håndtag tørre, rene og fri for olie og fedt. Det giver bedre kontrol over værktøjet.
- Hold gulvet tørt og frit for glatte materialer såsom olie. Glatte gulve øger risikoen for ulykker.
- Anvend udelukkende skærehoveder fra RIDGID til det elektriske rørdrev 700 fra RIDGID. Andre skærehoveder vil muligvis ikke passe ordentligt i det elektriske rørdrev og dermed øge risikoen for beskadigelse af udstyret og personskade.
- Anvend en støtteanordning til at modstå håndtagskraften ved andre former for anvendelse end beskrevet i denne vejledning. Støtteanordninger forbedrer kontrollen og nedsætter risikoen for slag- og knusningsskader og/eller andre skader.

Hvis du har spørgsmål angående dette RIDGID®-produkt:

- Kontakt den lokale RIDGID®-forhandler.
- Gå ind på RIDGID.com for at finde dit lokale RIDGID-kontaktpunkt.
- Kontakt Ridge Tool's tekniske serviceafdeling på rtctechservices@emerson.com, eller ring på følgende nummer i USA og Canada: (800) 519-3456.

Beskrivelse, specifikationer og standardudstyr

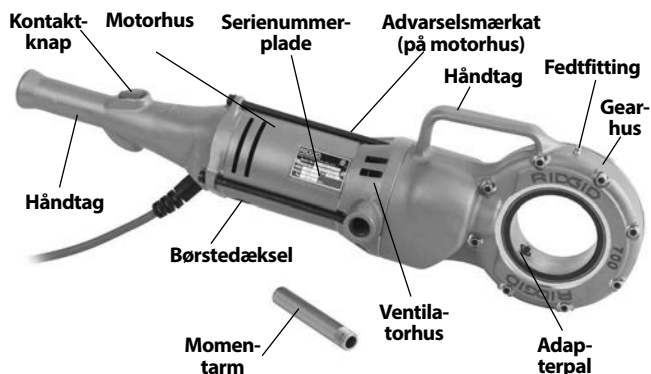
Beskrivelse

Det elektriske rørdrev model 700 fra RIDGID® er konstrueret til at lavere kraft til gevindskæring af rør og rørledninger. Der kan vælges mellem rotation forlæns og baglæns med en reversibel kontakt.

Det elektriske rørdrev er beregnet til anvendelse af 12-R skærehoveder fra RIDGID (rør på 1/8" til 2"). Andre skærehoveder fra RIDGID, som f.eks. OO-R og 11-R, kan anvendes med adaptere.

Ved gevindskæring af rør på 1" eller derover skal der anvendes en støtteanordning som f.eks. støttearm nr. 775 eller en 14" heavy duty-rørtang fra RIDGID til at modstå gevindskæringskræfterne.

Det elektriske rørdrev kan også anvendes som drev til rørskærer 258 fra RIDGID og til andre anvendelser (Se "Andre anvendelser").



Figur 1 – Elektrisk rørdrev model 700

Specifikationer

Gevindskæringskapacitet.....Rør på 1/8" til 2" (3 til 50 mm)
Bolt på 1/4" til 1" (6 til 25 mm) med 00-RB skærehoved

Motor:

TypeUniversel, reversibel
Volt.....110 120 220-240
Ampere13,5 13,5 6,5
Frekvens.....50/60 Hz 50/60 Hz 50/60 Hz
Strøm.....1500 1500 1500

Driftshastighed.....26-30 omdr./min., uden belastning

BetjeningselementKontakt, der er reversibel i begge retninger med fjederbelastet returnering til OFF-stilling

Gearhoved.....Formstøbt aluminium, skrueformet reduktionsfortandingsgear, fjederbelastede adapterpaler, spindelgear af hårdet stål

Mål:

Længde.....28 1/4" (717 mm)
Bredde6 1/16" (154 mm)
Højde.....7 13/16" (198 mm)
Vægt25 lbs. (11 kg)
Lydtryk (L_{PA})**98,4 dB(A), K=3
Lydeffekt (L_{WA})** 107 dB(A), K=3
Vibration**2,5 m/s², K=1,5

* Se maskinens serienummerplade for motorinformation for den specifikke maskine – Andre versioner fås.

** Målingerne af lyd og vibration er foretaget i overensstemmelse med en standardiseret test i henhold til standarden EN 62481-1.

- Vibrationsniveauerne kan bruges til sammenligning med andre værktøjer og til foreløbig vurdering af eksponering.

- Lyd- og vibrationsemissionerne kan variere alt efter anvendelsesstedet og den specifikke anvendelse af disse værktøjer.

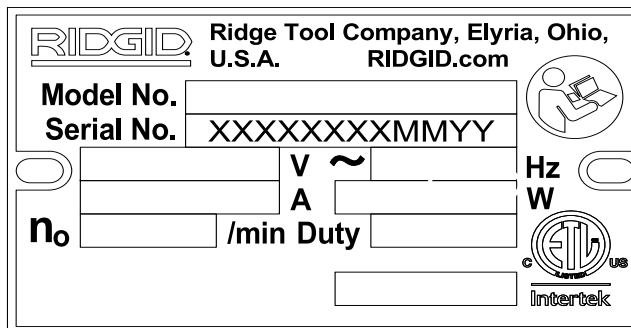
- De daglige eksponeringsniveauer for lyd og vibration skal evalueres for hver anvendelse, og de relevante sikkerhedstiltag skal implementeres efter behov. Ved evalueringen af eksponeringsniveauerne bør det tidsrum, hvor et værktøj er slukket og ikke anvendes, tages i betragtning. Dette kan reducere eksponeringsniveauet for hele arbejdsperioden betydeligt.

Standardudstyr

Det elektriske rørdrev model 700 leveres med følgende elementer:

- Elektrisk rørdrev 700
- Støtteanordning
- Momentarm
- Brugervejledning

Serienummerpladen for det elektriske rørdrev 700 sidder forinden på motorhuset. De sidste 4 cifre angiver produktionsmåned og -året. (12 = måned, 15 = år).



Figur 2 –Maskinserienummer

BEMÆRK Systemkonstruktøren og/eller -installatøren er ansvarlig for at udvælge passende materialer samt installations-, sammenføjnings- og formningsmetoder. Valg af forkerte materialer og metoder kan føre til systemsvigt.

Rustfrit stål og andre korrosionsbestandige materialer kan blive kontamineret under installation, sammenføjning og formning. Denne kontaminering kan føre til korrosionsdannelse og for tidligt svigt. Inden installationen påbegyndes, skal der udføres en omhyggelig vurdering af materialernes og metodernes egnethed til de specifikke arbejdsforhold, herunder kemiske forhold og temperaturforhold.

Eftersyn før brug

⚠ ADVARSEL



Efterse det elektriske rørdrev 700 hver gang, inden det tages i brug, og afhjælp eventuelle problemer for at nedsætte risikoen for alvorlig personskade som følge af elektrisk stød, klemningskader osv. samt for at forhindre, at det elektriske rørdrev beskadiges.

1. Sørg for, at det elektriske rørdrev er afbrudt.
2. Fjern eventuel olie, fedt eller snavs fra det elektriske rørdrev og støtteanordningen, herunder på håndtagene og betjeningsanordningerne. Dette understøtter eftersynet og er med til at forhindre, at maskinen eller betjeningsanordningen glider ud af hånden på dig.
3. Kontrollér det elektriske rørdrev for følgende:
 - Beskadigelse eller ændring af ledning og stik.
 - Korrekt montage, vedligeholdelse og fuldstændighed.
 - Beskadigede eller forkert justerede dele eller dele, der binder.
 - Korrekt funktion af kontakten. Den skal bevæge sig jævnt uden at sidde fast.
 - Tilstedeværelsen af advarselmærkater samt at disse kan læses (figur 3).
 - Andre forhold, der kan forhindre en sikker og normal funktion.

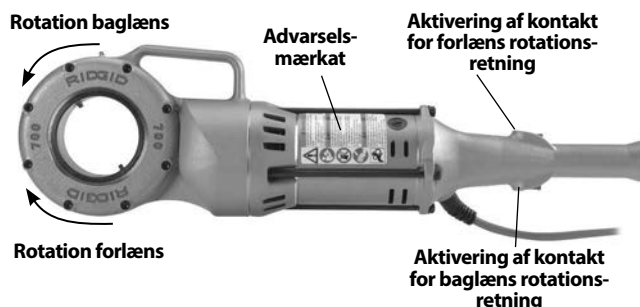
Hvis der konstateres nogen former for problemer, må det elektriske rørdrev eller støtteanordningen ikke anvendes, før problemerne er blevet afhjulpet.

4. Kontrollér støttearmen. Gribetænderne skal være rene og i god stand. Tænderne kan rengøres med en stål-børste.
5. Kontrollér bakkernes skær for slitage, deformation, spåner eller andre forhold. Sløve eller beskadigede skæreværktøjer betyder, at der skal bruges mere kraft til at skære, at kvaliteten af gevindskæringerne forringes, og at risikoen for personskade øges.
6. Kontrollér og vedligehold andet udstyr, der anvendes, i henhold til anvisningerne for at sikre, at det fungerer korrekt.
7. Følg anvisningerne under *Opsætning og drift* og kontrollér, at det elektriske rørdrev fungerer korrekt.
 - Tryk på og slip kontakten til rotation FORLÆNS, og gentag dette for rotation BAGLÆNS som vist i Figur 3. Kontrollér, at det elektriske rørdrev roterer som vist i Figur 3, samt at kontakten styrer maskindriften.

Lad det elektriske rørdrev stoppe helt, inden retningen ændres med kontaktknappen. Dette nedsætter risikoen for, at det elektriske rørdrev beskadiges.

- Tryk på kontaktknappen, og hold den trykket ind. Kontrollér, om de bevægelige dele er fejljusteret, binder eller har mislyde samt for andre unormale forhold. Slip kontakten.

Hvis maskinen ikke fungerer korrekt eller der er nogen former for unormale forhold, skal maskinen repareres, før den bruges.

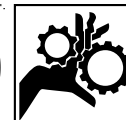


Figur 3 – Kontaktstilling for rotationsretning

8. Slip kontaktknappen, og afbryd maskinen fra stikkontakten med tørre hænder.

Opsætning og drift

⚠ ADVARSEL



Foretag opsætning og anvendelse af det elektriske rørdrev 700 i henhold til disse procedurer for at nedsætte risikoen for personskade som følge af elektrisk stød, indfiltring, slag, knusning eller andre årsager, og for at forhindre, at det elektriske rørdrev beskadiges.

Anvend en støtteanordning til at modstå gevindskæringskræfterne ved gevindskæring af rør på 1" (25 mm) eller derover. Anvend en passende støtteanordning i henhold til disse anvisninger. Støtteanordninger forbedrer kontrollen og nedsætter risikoen for slag- og knusningsskader og/eller andre skader.

Hold altid godt fast i det elektriske rørdrev for at modstå gevindskæringskræfterne, når der foretages gevindskæring eller gevindskærehovedet køres af røret, uanset om der anvendes en støtteanordning. Dette nedsætter risikoen for slag- og knusningsskader samt andre former for personskade.

Understøt røret korrekt. Dette nedsætter risikoen for, at røret falder ned, tipping og alvorlig personskade.

Brug ikke et elektrisk rørdrev, hvor kontaktknappen ikke fungerer korrekt.

Bær ikke handsker eller løstsiddende tøj, mens du betjener en maskine. Tilknap altid ærmer og jakker. Ræk ikke henover maskinen eller røret. Tøj kan blive fanget af røret eller maskinen, hvilket kan føre til indfiltrering.

Én person skal styre både arbejdsprocessen og kontaktknappen. Betjeningen må ikke udføres af mere end én person. I tilfælde af indfiltrering skal operatøren have kontrol over kontakten.

- Kontrollér arbejdsområdet for:
 - Tilstrækkelig belysning.
 - Brændbare væsker, dampe eller støv, der kan antændes. Hvis sådanne antændelseskilder er til stede, så undlad at arbejde i området, indtil de er blevet identificeret og fjernet. De elektriske rørdrev er ikke eksplosions sikre og kan fremkalde gnister.
 - Et ryddet, plant, stabilt, tørt sted til alt udstyret og operatøren.
 - God ventilation. Undgå omfattende brug i små lukkede områder.
 - En stikkontakt, der er korrekt forbundet og har den korrekte spænding. Hvis du er i tvivl, skal du få stikkontakten kontrolleret af en autoriseret elektriker.
 - Fri passage til stikkontakten uden potentielle skadekilder for strømledningen.
- Kontrollér røret, der skal gevindskæres og de tilknyttede fittings, og bekræft, at det elektriske rørdrev 700 er det rette værktøj til arbejdet. *Se Specifikationer.*

Udstyr til andre anvendelser findes i Ridge Tool-kataloget, online på RIDGID.com eller ved at ringe til Ridge Tool's tekniske serviceafdeling i USA og Canada på (800) 519-3456.
- Sørg for, at det udstyr, der skal anvendes, er blevet efterset ordentligt.
- Klargør røret korrekt efter behov. Sørg for, at røret er skåret lige og grater er fjernet. Rør, der er skåret i en vinkel, kan beskadige bakkerne under gevindskæringen eller gøre det vanskeligt at tilkoble gevindskærehovedet.
- Sørg for, at det rør, der skal gevindskæres, er stabilt og sikret, så det ikke tipper under anvendelsen. Anvend egnede rørstøtter til at understøtte røret i længden.
- Kontrollér niveauet på RIDGID gevindskæreolien i smørepumpe model 418 fra RIDGID. Fjern spånbakken og

kontrollér, at filteret er rent og helt nedsænket i olie. Skift eller efterfyld olie efter behov. Anbring 418 smørepumpens spand under den rørende, der skal gevindskæres.

Montering af skærehoveder

- Sørg for, at det elektriske rørdrev er afbrudt fra stikkontakten.
- Skub 12-R skærehovedet eller adapteren (*se Ekstra-udstyr*) lige ind i det elektriske rørdrev med notenden først, indtil de fjederbelastede drevpaler går i indgreb med noten. (Figur 4). Skærehovedet eller adapteren kan isættes i begge sider af det elektriske rørdrev. I nogle tilfælde skal skærehovederne/adapterne roteres, så palen kan gå i indgreb. På adapterne 770 og 773 skal skærehovedet være isat i adapteren inden monteringen i det elektriske rørdrev.
- Træk skærehovedet lige ud af det elektriske rørdrev for at afmontere det. Brug om nødvendigt en gummihammer eller en træblok til at banke gevindskærehovedet ud. Bank ikke på skærehovedet, da dette kan beskadige værktøjet.



Figur 4 – Montering af skærehoveder i det elektriske rørdrev 700

Modstandsdygtighed over for gevindskæringskræfter (støtteanordninger)

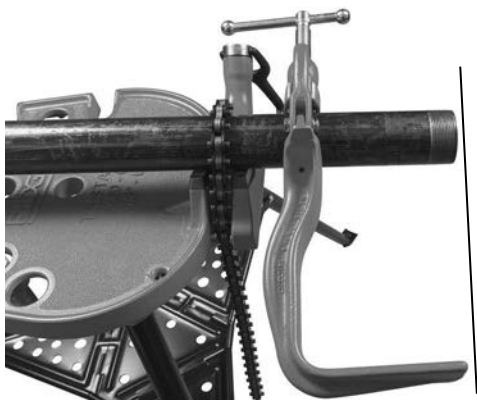
Ved højrevind vil gevindskærehovedet rotere med uret (set fra gevindskærehovedets forside). Kræfter, der opstår på baggrund af gevindskæringsmomentet, vil gå i den modsatte retning, dvs. mod uret. Retningen for rotationen og kræfterne vil være vendt om ved venstregevind. Støtteanordningen skal være opsat, så den kan optage og modstå gevindskæringskræfterne.

Anvendelse af støttearm nr. 775:

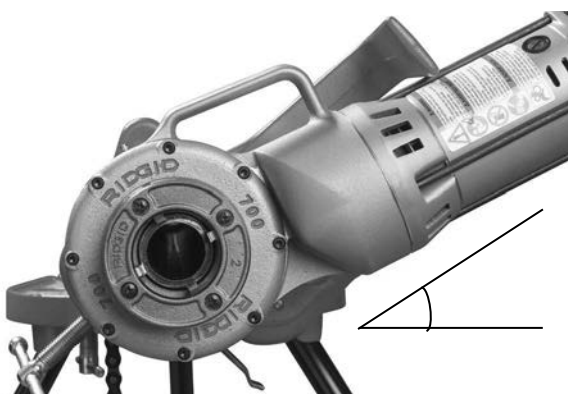
- Støttearmens bøjlekrog kan monteres i begge sider. Tilspænd hængselsbolten ordentligt.
- Anbring støttearmen på røret, så enden af støttearmen er rettet ind i forhold til enden af røret og det elektriske

ske rørdrev 700 er en anelse over den vandrette linje (Figur 5 og 6). Dette sikrer, at støttearmen er placeret korrekt ved gevindskæringen, og det forhindrer, at gevindskæreeolien løber ned ad det elektriske rørdrev.

3. Sørg for, at støttearmens kæber er justeret lige i forhold til røret og fastspænder støttearmen sikkert.



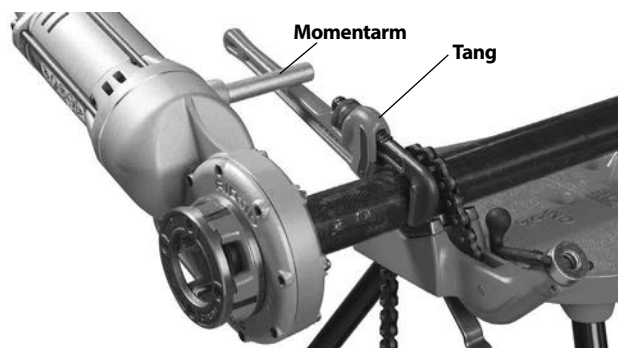
Figur 5 – Støttearmen er rettet ind i forhold til enden af røret



Figur 6 – Støttearmen er placeret med det elektriske rørdrev 700 en anelse over den vandrette linje

Anvendelse af en 12", 14" eller 18" heavy duty-rørtang fra RIDGID:

1. Sæt momentarmen ordentligt fast i ventilatorhuset på det elektriske rørdrev 700. Der kan også anvendes et 5" (127 mm) langt stålør på 1/2" iht. Schedule 80 og med 1/2" NPT-gevind.
2. Anbring en 12", 14" eller 18" heavy duty-rørtang fra RIDGID ca. 7" (175 mm) fra enden af røret (se Figur 7). Kontrollér, at tangen sidder ordentligt fast og ikke vil falde af eller flytte sig.
3. Ved påbegyndelse af gevindskæringen vil momentarmen hvile på rørtangshåndtaget.



Figur 7 – Gevindskæring med rørtang som støttearm

Andre støttemetoder:

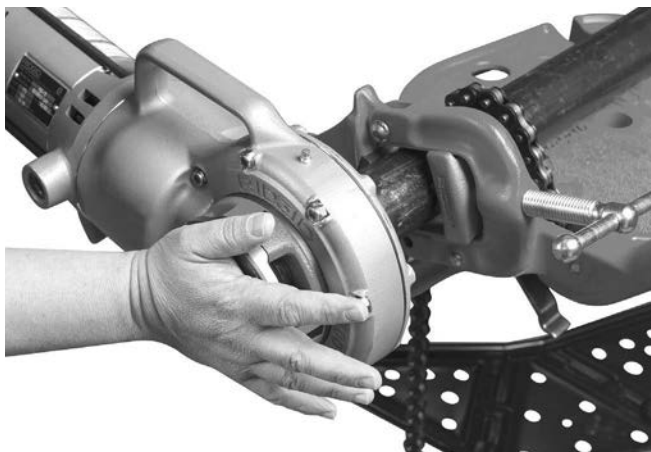
Anbring motorhuset på det elektriske rørdrev (se Figur 1) mod et tilstødende strukturelement (f.eks. en væg, vange eller bjælke). Dette kræver, at røret, der skal gevindskæres, og omgivelserne kan modstå værktøjets vægt og gevindskæringskræfterne. Det kan være nødvendigt at tilføje midlertidige eller permanente rørstøtter eller strukturelementer for at modstå gevindskæringskræfterne i tilstrækkelig grad.

Rør med 3/4" diameter og derunder:

Rør med en nominal dimension på 3/4" og derunder kan gevindskæres uden anvendelse af en støtteanordning. I dette tilfælde er det operatøren, der modstår gevindskæringskræfterne. Røret skal sikres ordentligt for at forhindre rotation. Hold altid godt fast i det elektriske rørdrev for at modstå gevindskæringskræfterne, når der foretages gevindskæring eller gevindskærehovedet køres af røret. Dette nedsætter risikoen for slag- og knusningsskader samt andre former for personskade.

Gevindskæring

1. Tilslut det elektriske rørdrev med tørre hænder.
2. Anbring gevindskærehovedet over rørenden, og understøt det elektriske rørdrev som anvist i afsnittet Modstandsdygtighed over for gevindskæringskræfter. Hold altid det elektriske rørdrev mod støtteanordningen. Der må ikke være noget mellem det elektriske rørdrev og støtteanordningen – dette øger risikoen for klemnings- og knusningsskader.
3. Indtag en korrekt betjeningsstilling for at bibeholde kontrollen over maskinen (se Figur 9).
 - Sørg for, at du har god balance og ikke behøver at stå i en uheldig arbejdsstilling.
 - Sørg for, at du kan styre kontaktknappen og maskinen. Tryk ikke på kontakten endnu. I nødstilfælde skal du kunne slippe kontakten.



Figur 8 – Påbegyndelse af gevindskæringen

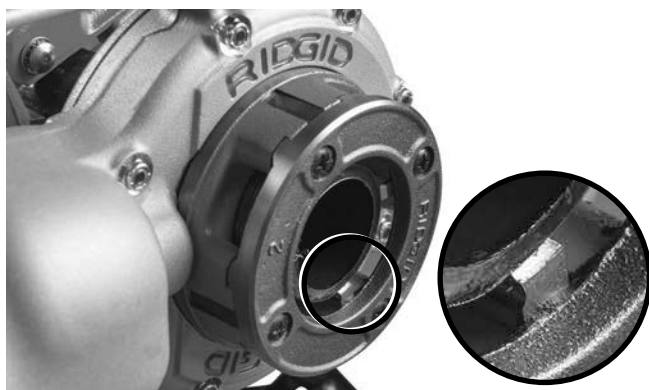
4. Aktivér kontaktknappen (se Figur 3) og tryk samtidigt på skærehovedets dækplade med håndfladen på den frie hånd for at påbegynde gevindskæringen (Figur 8). Brug ikke handsker, hav ikke smykker på og lad være med at bruge en klud, mens der trykkes på dækpladen – dette øger risikoen for indfiltrering og personskade. Når bakkerne går i indgreb med røret, skæres der gevind i takt med, at bakkerne trækker sig selv på enden af røret.

Hold altid godt fast i det elektriske rørdrevs håndtag for at modstå kræfterne. Støtteanordninger kan glide og gøre det muligt for det elektriske rørdrev at flytte sig. Kontaktknappen kan til enhver tid slippes for at slå det elektriske rørdrev FRA.



Figur 9 – Gevindskæring af rør

5. Hold op med at trykke på dækpladen, og brug smørepumpen til at påføre rigeligt med RIDGID gevindskæreoile på området, hvor der foretages gevindskæring. Dette nedsætter gevindskæringsmomentet, forbedrer kvaliteten af gevindet og forlænger bakkernes levetid.
6. Hold kontakten trykket ind, indtil enden af røret er i niveau med kanten af bakkerne (Figur 10). Hold øje med, at det elektriske rørdrev ikke kører ind i støtteanordningen. Slip kontaktknappen. Lad det elektriske rørdrev stoppe helt.

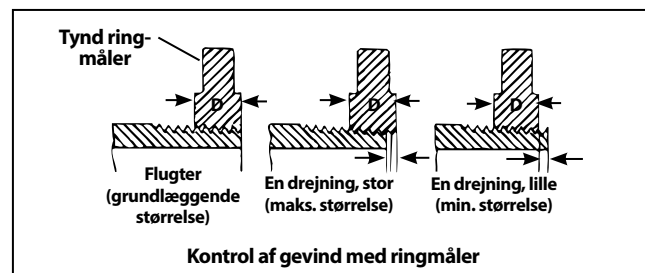


Figur 10 – Rør i niveau med kanten på bakkerne

7. Aktivér kontaktknappen i baglæns retning for at fjerne skærehovedet fra det gevindskårne rør. Hold godt fast i det elektriske rørdrevs håndtag for at modstå de kræfter, der opstår, mens gevindspånen brækkes af og gevindskærehovedet køres tilbage.
8. Slip kontakten, og fjern det elektriske rørdrev og skærehovedet fra røret.
9. Afbryd det elektriske rørdrev med tørre hænder.
10. Tør olie og materialerester af gevindene og ud af gevindskærehovedet – pas på, at du ikke skærer dig på skarpe materialerester eller kanter. Oprens eventuelt oliespild i arbejdsområdet.

Kontrol af gevind

1. Fjern eventuel olie, spåner eller materialerester fra gevindet.
2. Foretag en visuel kontrol af gevindet. Gevind skal være jævne og fuldstændige og have en god form. Hvis forhold som gevindrevner, tynde gevind eller urundt rør forekommer, vil gevindet muligvis ikke slutte tæt. Se oversigten "Fejlfinding" for at få hjælp til at diagnosticere disse forhold.
3. Kontrollér størrelsen på gevindet. Den foretrukne metode til kontrol af gevindstørrelsen er med en ringmåler. Der findes forskellige former for ringmålere, og anvendelsen heraf kan være anderledes i forhold til, hvad der er vist i Figur 11.
 - Skru ringmåleren fingerstramt på gevindet.
 - Kig på, hvor langt rørenden stikker gennem ringmåleren. Rørenden skal flugte med siden af måleren plus/minus en drejning. Hvis gevindet ikke er korrekt i henhold til målingen, så skær gevindet af, juster skærehovedet og foretag endnu en gevindskæring. Det kan forårsage utætheder, hvis der anvendes et gevind, der ikke er korrekt i henhold til målingen.



Figur 11 – Kontrol af gevindstørrelse

- Hvis der ikke er en ringmåler til rådighed til kontrol af gevindstørrelsen, kan der anvendes en ny og ren fitting, der svarer til dem, der anvendes til arbejdet, til at måle gevindstørrelsen. For NTP-gevind på 2" og derunder skal gevindene skæres, så der er 4 til 5 drejninger til fingerstram tilkobling med fittingen, og for BSPT-gevind på 2" og derunder skal det være 3 drejninger.

Elektrisk rørdrev 700 – Andre anvendelser

Denne vejledning indeholder specifikke anvisninger for anvendelsen af det elektriske rørdrev 700 til gevindskæring med forskellige skærehoveder fra RIDGID. Når det anvendes sammen med andet udstyr fra RIDGID (som f.eks. elektrisk rørskærer model 258/258XL fra RIDGID), så følg anvisningerne og advarslerne i relation til korrekt opsætning og anvendelse, der følger med dette udstyr fra RIDGID.

Ridge Tool kan ikke levere specifikke anvisninger for enhver mulig anvendelse af det elektriske rørdrev 700. Operatøren skal bedømme det specifikke arbejds scenarie og anvende god arbejdsskik og gode arbejdsmetoder. Hvis der opstår nogen former for tvivl i relation til anvendelsen af det elektriske rørdrev 700 til andre formål, så undlad at anvende det.

Foretag en omhyggelig vurdering og forberedelse af arbejdet ved hjælp af nedenstående generelle retningslinjer, hvis det elektriske rørdrev 700 anvendes til andre formål. Det elektriske rørdrev 700 leverer et højt moment og tilsvarende høj håndtagskraft, der kan forårsage slag- og knusningsskader.

- Adapter med firkanthul 774 fra RIDGID kan bruges til at tilpasse det elektriske rørdrev 700 til $1\frac{5}{16}$ ". Fastgør adapteren ordentligt for at forhindre, at den løsner sig under anvendelsen.
- Der skal findes en passende metode til at modstå håndtagskræfterne (se afsnittet "Modstandsdygtighed over for håndtagskræfter"). Kraften kan overstige 1000 lbs (455 kg). Der kan anbringes støtteanordninger mod motorhuset eller ventilatorhuset på det elektriske rørdrev 700 (Figur 1).

- Det elektriske rørdrev skal altid holdes mod støtteanordningen – anbring ikke dele af kroppen mellem det elektriske rørdrev og støtteanordningen.
- Der bør ikke være nogen relativ bevægelse mellem det elektriske rørdrev og støtteanordningen under anvendelsen.
- Bekræft, at emnet (som f.eks. aktivering eller bevægelse af en ventil) kan bevæges uden hindring, at der ikke er nogen blokering samt at vandringsenderne er kendte. Hvis systemet blokerer eller sidder fast under anvendelsen, vil håndtagskræfterne tage til pludseligt og i betydelig grad, eller det elektriske rørdrev vil rotere.
- Følg anvisningerne fra udstyrsproducenten ved anvendelse til aktivering eller bevægelse af ventiler eller andet udstyr. Udstyret må ikke overbelastes.
- Anvendelsen skal forgå således, at reaktionskraften fra det elektriske rørdrev 700 trækker væk fra operatøren.
- Slip kontaktknappen til enhver tid for at slå det elektriske rørdrev fra. Sørg for, at kontaktknappen kan slippes.

Vedligeholdelsesvejledning

⚠ ADVARSEL

Sørg for, at kontaktknappen er sluppet og at maskinen er afbrudt fra stikkontakten, før der udføres vedligeholdelse eller foretages justeringer.

Foretag vedligeholdelse af værktøjet i henhold til disse procedurer for at nedsætte risikoen for personskade som følge af elektrisk stød, indfiltrering og andre årsager.

Rengøring

1. Tøm gevindspånerne ud af 418 smørepumpens spånbakke og tør eventuelle olierester op, hver gang værktøjet har været i brug.
2. Tør eventuel olie, fedt, spåner eller snavs af det elektriske rørdrev, herunder på håndtagene og betjeningsanordningerne.
3. Tør eventuel olie, fedt eller snavs af støttearmen. Rengør støttearmens kæber med en stålbørste om nødvendigt.
4. Fjern spåner og snavs fra gevindskærehovederne.

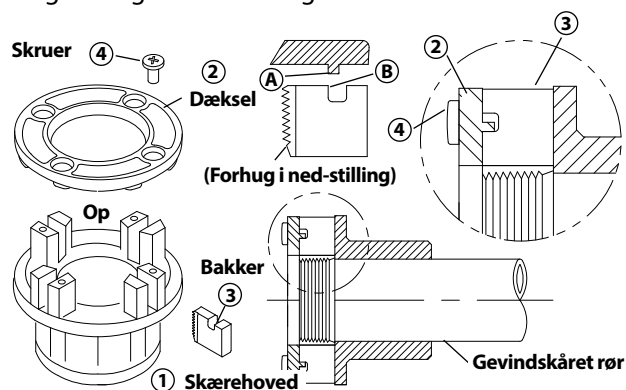
Smøring

Anvend en smørepistol til at påføre lithiumfedt til ekstremt tryk ("EP") gennem de fedtfitings, der findes på gearhuset (se Figur 1), hver 3. til 6. måned afhængigt af anvendelsen af maskinen.

Skift af bakker i 12-R gevindskærehoveder

Der findes en række forskellige bakker til montering i 12-R gevindskærehovederne fra RIDGID. Se udbuddet i kataloget.

1. Fjern de fire skruer (4), dækpladen (2) og bakkerne (3) fra skærehovedet.
2. Isæt nye bakker i åbningerne med den nummererede kant (1, 2, 3, 4) opad. Numrene på bakkerne skal svare til numrene på gevindskærehovedåbningerne. Udskift altid bakkerne i sæt.
3. Monter dækpladen (2) og skruerne (4), og spænd skruerne en smule.
4. Skru en gevindskåret rørende ind i bakkerne, indtil gevindskæringen påbegyndes. Dette tvinger stoppet på bakkerne "B" udad mod flig "A" på dækpladen og indstiller størrelsen korrekt.
5. Spænd de fire skruer fast. Fjern det gevindskårne rør, og foretag en testskæring.



Figur 12 – Montering af bakker i gevindskærehoved

Udskiftning af børster i motor

Kontrollér motorens børster hver 6. måned. Udskift dem, når de er nedslidt til mindre end ¼" (6 mm).



Figur 13 – Børstemontering

1. Afbryd maskinen fra strømkilden.
2. Skru børstedækslerne af. Afmonter og kontrollér børsterne. Udskift dem, når de er nedslidt til mindre end ¼" (6 mm). Kontrollér kommutatoren for slitage. Hvis den er meget slidt, skal værktøjet serviceres.
3. Genmonter børsterne/monter nye børster.
4. Lad enheden køre ubenyttet i 15 minutter i forlæns retning efterfulgt af 15 minutter i baglæns retning for at placere de nye børster i forhold til kommutatoren inden brug.

Ekstraudstyr

⚠ ADVARSEL

For at nedsætte risikoen for alvorlig personskade må der kun anvendes udstyr, der er specielt konstrueret og anbefalet til brug sammen med det elektriske rørdrev 700, som anført nedenfor.

Katalognr.	Beskrivelse
42600	770 Adapter til 00-R (½" – 1") og 00-RB (¼" – 1")
42605	771 Adapter til 0-R (½" – 1")
42610	772 Adapter til 11-R (½" – 1¼")
42615	773 Adapter til 111-R (½" – 1¼")
42620	774 Adapter med firkanthul – 15/16"
42625	775 Støttearm
46615	Momentarm
42950	B-171-X Metaltransportkasse
10883	418 Oliesmørepumpe med 1 gallon førsteklases gevindskæreolie
41620	Motorfedt til gearhoved

Yderligere oplysninger om udstyr, der er specifikt beregnet til det elektriske rørdrev 700, findes i RIDGID-kataloget og online på RIDGID.com.

Opbevaring af maskinen

⚠ ADVARSEL Det elektriske rørdrev 700 skal opbevares indendørs eller beskyttes godt mod regn. Opbevar maskinen i et aflåst område, der er utilgængeligt for børn og personer, der ikke er fortrolige med brugen af maskinen. Denne maskine kan forårsage alvorlig personskade, hvis den håndteres af uerfarne brugere.

Service og reparation

⚠ ADVARSEL

Ukorrekt eftersyn eller reparation kan bevirke, at maskinen bliver farlig at bruge.

I afsnittet *Vedligeholdelsesvejledning* findes der oplysninger om de fleste af denne maskines servicebehov. Problemer, der ikke behandles i dette afsnit, bør udelukkende håndteres af en autoriseret RIDGID-servicetekniker.

Værktøjet skal afleveres hos et uafhængigt RIDGID-servicecenter eller sendes tilbage til fabrikken. Anvend udelukkende RIDGID-reservedele.

Hvis du ønsker oplysninger om det nærmeste uafhængige RIDGID-servicecenter, eller du har spørgsmål angående service eller reparation:

- Kontakt den lokale RIDGID-forhandler.
- Gå ind på RIDGID.com for at finde dit lokale RIDGID-kontaktpunkt.
- Kontakt Ridge Tool's tekniske serviceafdeling på rtctechservices@emerson.com, eller ring på følgende nummer i USA og Canada: (800) 519-3456.

Information om gevindskæreolie

Læs og følg alle anvisninger på gevindskæreoliemærkaten og i sikkerhedsdatabladet. Specifik information om gevindskæreolier fra RIDGID, herunder identifikation af farer, førstehjælp, brandslukning, foranstaltninger ved utilsigtet udslip, håndtering og opbevaring, personligt beskyttelsesudstyr samt bortskaffelse og transport, findes på beholderen og i sikkerhedsdatabladet. Sikkerhedsdatabladet findes på RIDGID.com eller fås ved at kontakte Ridge Tool's tekniske serviceafdeling på nummeret (800) 519-3456 i USA og Canada eller på adressen rtctechservices@emerson.com.

Bortskaffelse

Dele af det elektriske rørdrev 700 indeholder værdifulde materialer, der kan genbruges. I lokalområdet findes der evt. virksomheder, som specialiserer sig i genbrug. Bortskaf komponenter i overensstemmelse med alle gældende regler. Kontakt det lokale renovationsvæsen for yderligere oplysninger.



EU-lande: Bortskaf ikke elektrisk udstyr sammen med husholdningsaffald!

I overensstemmelse med det europæiske direktiv 2012/19/EU om affald fra elektrisk og elektronisk udstyr og dets implementering i national lovgivning skal udtjent elektrisk udstyr indsamles særskilt og bortskaffes på en miljømæssig korrekt måde.

Fejlfinding

PROBLEM	MULIGE ÅRSAGER	LØSNING
Maskinen kører ikke.	Børsterne rører ikke armaturet.	Kontrollér børsterne, udskift dem, hvis de er slidte.
Maskinen kan ikke foretage gevindskæring.	Sløve bakker. Overbelastning som følge af revnede eller urunde gevind. Gevindskæreoile af dårlig kvalitet eller i en utilstrækkelig mængde. Utilstrækkelig netspænding.	Udskift bakkerne. Se mulige årsager nedenfor. Anvend en tilstrækkelig mængde gevindskæreoile fra RIDGID. Kontrollér forsyningsspændingen.
Tynde gevind.	Utilstrækkelig kontakt mellem børster og kommutator. Børsterne er ikke i ordentlig kontakt med kommutatoren. Børster af andet fabrikat. Nye børster.	Spænd børstedækslerne for at sikre, at børsterne trykkes fast på kommutatoren. Udskift slidte børster og/eller slidt armatur. Anvend udelukkende børster fra RIDGID. Placer børsterne ved at lade enheden køre ubenyttet i 15 minutter i forlæns og baglæns rotationsretning.
Gevindskærehovedet påbegynder ikke gevindskæringen.	Gevindskærehovedet er ikke lige i forhold til enden af røret. Tilkoblingskraft ikke påført ordentligt på gevindskærehovedet. Rørenden er ikke skåret lige. Sløve eller defekte bakker. Maskinen kører i den forkerte retning. Bakkerne er ikke isat korrekt i gevindskærehovedet.	Tryk på gevindskærehovedets dækplade for at starte gevindskæringen. Påfør tilkoblingskraft gennem rørets midterlinje. Tilskær rørenden, så den er lige. Udskift bakkerne. Kør maskinen i den rigtige retning. Sørg for, at bakkerne er placeret udad mod dækpladens flige.
Revnede gevind.	Beskadigede, hakkede eller slidte bakker. Ukorrekt gevindskæreoile eller en utilstrækkelig mængde gevindskæreoile. Forkert type bakke til materialet. Dårligt rørmateriale/dårlig rørkvalitet.	Udskift bakkerne. Anvend udelukkende RIDGID® gevindskæreoile og en tilstrækkelig mængde heraf. Vælg højhastigheds-bakker af rustfrit stål eller letmetal, der er egnet til anvendelsen. Anvend rør af en bedre kvalitet.
Urunde eller sammenpressede gevind.	Rørvæggen er for tynd.	Anvend en vægtykkelse i henhold til Schedule 40 eller derover.
Støtteanordningen drejer under gevindskæringen.	Støttearmskæberne er snavsede. Støttearmen er ikke justeret korrekt. Støttearmen er ikke spændt.	Rengør dem med en stålbørste. Juster støttearmen lige i forhold til røret. Spænd ledeskruen.
Tynde gevind.	Bakkerne er ikke placeret i den korrekte rækkefølge.	Placer bakkerne i den korrekte gevindskærehovedåbning.

Power Drive drivenhet

700



⚠ ADVARSEL!

Les bruksanvisningen grundig før du tar i bruk verktøyet. Hvis innholdet i bruksanvisningen ikke overholdes, kan det resultere i elektrisk støt, brann og/eller alvorlig personskade.

700 Power Drive drivenhet

Skriv ned serienummeret nedenfor, og ta vare på produktets serienummer som du finner på navneskiltet.

Serie
nr.

Innholdsfortegnelse

Registreringsskjema for maskinens serienummer	135
Sikkerhetssymboler	137
Generelle sikkerhetsadvarsler for el-verktøy	137
Sikkerhet på stedet hvor arbeidet utføres.....	137
Elektrisk sikkerhet.....	137
Personlig sikkerhet.....	138
Bruk og håndtering av el-verktøy	138
Vedlikehold.....	138
Spesifikk sikkerhetsinformasjon	138
Drivenhet sikkerhet	138
Beskrivelse, spesifikasjoner og standardutstyr	139
Beskrivelse	139
Spesifikasjoner	139
Standardutstyr.....	140
Inspeksjon førdrift	140
Klargjøring og bruk	141
Installere gjengehoder	141
Motstå gjengekrefter	142
Gjenging	143
Undersøke gjengene.....	144
700 Power Drive drivenhet – andre bruksområder	144
Instruksjoner for vedlikehold	145
Rengjøring	145
Smøring	145
Bytte gjengebakker i 12-R gjengehoder	145
Bytte børster i motoren.....	145
Tilleggsutstyr	146
Oppbevaring av maskinen	146
Vedlikehold og reparasjon	146
Informasjon om gjengeolje	146
Avfallshåndtering	146
Feilsøking	147
CE-samsvarserklæring	Inni permen bak
Livstidsgaranti	Bakside

*Oversettelse av den originale veiledningen

Sikkerhetssymboler

I denne bruksanvisningen og på produktet formidles viktig sikkerhetsinformasjon gjennom symboler og signalord. Denne delen er utarbeidet for å bedre forståelsen av disse signalordene og symbolene.



Dette symbolet indikerer en sikkerhetsadvarsel. Det brukes for å advare om potensiell fare for personskade. Følg alle sikkerhetsadvarsler med dette symbolet for å unngå personskade eller dødsfall.

FARE

FARE indikerer en farlig situasjon som vil føre til dødsfall eller alvorlig personskade hvis den ikke unngås.

ADVARSEL

ADVARSEL indikerer en farlig situasjon som kan føre til dødsfall eller alvorlig personskade hvis den ikke unngås.

FORSIKTIG

FORSIKTIG indikerer en farlig situasjon som kan føre til en mindre eller moderat personskade hvis den ikke unngås.

MERK

MERK indikerer informasjon om mulig skade på eiendom.



Dette symbolet betyr at du bør lese bruksanvisningen grundig før du tar utstyret i bruk. Bruksanvisningen inneholder viktig informasjon om trygg og riktig bruk av utstyret.



Dette symbolet betyr at man alltid må bruke briller med bred innfatning eller vernebriller ved bruk av utstyret for å redusere risikoen for øyeskade.



Dette symbolet betyr at det er fare for at fingre, hender, klær eller andre gjenstander kan sitte fast mellom gjirene eller andre roterende deler og forårsake klemskader.



Dette symbolet betyr risiko for elektrisk støt.



Dette symbolet betyr risiko for at maskinen kan velte og forårsake slag- eller klemskader.



Dette symbolet betyr at du ikke må ha på hansker ved bruk av denne maskinen, dette for å unngå å bli sittende fast.



Dette symbolet betyr at du alltid må bruke støtteenhet for å bidra til å motstå gjengekraft, forbedre kontroll og redusere faren for skader.

Generelle sikkerhetsadvarsler for el-verktøy*

ADVARSEL

Les og gjør deg innforstått med alle instruksjoner. Unnlattelse av å følge alle instruksjonene som er oppført nedenfor kan føre til elektrisk støt, brann og/eller alvorlig personskade.

TA VARE PÅ ALLE ADVARSLER OG INSTRUKSJONER FOR FREMTIDIG REFERANSE!

Begrepet "el-verktøy" i advarslene henviser til elektrisk verktøy med strømforsyning fra strømmettet (med strømledning) og batteridrevet elektrisk verktøy (uten strømledning).

Sikkerhet på stedet hvor arbeidet utføres

- **Hold arbeidsstedet rent og godt belyst.** Det kan oppstå uhell på rotete eller mørke arbeidssteder.
- **Ikke bruk el-verktøy i eksplosive omgivelser, som for eksempel i nærheten av brennbare væsker, gasser eller støv.** El-verktøy danner gnister som kan antenne støv eller damp.
- **Hold barn og andre på avstand mens utstyret brukes.** Hvis du blir distraheret, kan du miste kontrollen.

Elektrisk sikkerhet

- **El-verktøyets støpsler må passe til uttaket. Ikke modifier støpselet på noen måte. Bruk ikke adapterstøpsler med jordede el-verktøy. Jordede verktøy må være koblet til et riktig installert og jordet uttak i henhold til alle lover og forskrifter. Jordingslederen må ikke fjernes, og støpselet må ikke modifieres på noen måte. Sjekk med en kvalifisert elektriker hvis du er i tvil om uttaket er riktig jordet.** Umodifiserte støpsler og matchende uttak vil redusere risikoen for elektrisk støt.
- **Unngå at kroppen er i kontakt med jordede overflater som rør, radiatorer, kokeapparater og kjøleapparater.** Det er økt risiko for elektrisk støt hvis kroppen din er jordet.
- **Ikke utsett el-verktøy for regn eller fuktige forhold.** Vann som trenger inn i et el-verktøy vil øke risikoen for elektrisk støt.
- **Strømledningen må håndteres forsiktig. Ledningen må ikke brukes til å bære verktøyet eller trekke støpselet ut av en stikkontakt. Hold ledningen unna varme, olje, skarpe kanter og bevegelige deler. Skift ut skadde ledninger umiddelbart.** Skadde ledninger øker risikoen for elektrisk støt.

* Teksten brukt i delen Generelle sikkerhetsadvarsler for el-verktøy i denne bruksanvisningen er ordrett, som påkrevd, fra den gjeldende standarden UL/CSA 62841-1. Denne delen inneholder generell sikkerhetspraksis for mange ulike typer el-verktøy. Ikke alle forholdsregler gjelder for hvert verktøy, og noen gjelder ikke for dette verktøyet.

- Når et el-verktøy brukes utendørs, må det brukes en utendørs skjøteledning merket "W-A" eller "W". Disse ledningene er godkjent for bruk utendørs og reduserer risikoen for elektrisk støt.
- Hvis el-verktøy må brukes på et fuktig sted, så må det brukes utstyr som er beskyttet av en jordfeilbryter (GFCI). Bruk av jordfeilbryter reduserer risikoen for elektrisk støt.

Personlig sikkerhet

- Vær årvåken og oppmerksom på det du gjør, og bruk sunn fornuft når du bruker el-verktøy. Ikke bruk verktøyet hvis du er trett eller påvirket av narkotika, alkohol eller medisiner. Et øyeblikks uoppmerksomhet når du bruker el-verktøy kan føre til alvorlig personskade.
- Bruk personlig verneutstyr. Bruk alltid øyebeskyttelse/vernebriller. Bruk av verneutstyr som støvmaske, vernesko med antisklisåle, hjelm og hørselsvern når det trengs reduserer risikoen for personskader.
- Forhindre utilsiktet start av utstyret. Sørg for at bryteren står på OFF før du kobler til strømforsyningen og/eller batteriet, løfter eller bærer verktøyet. Faren for ulykker øker hvis du bærer el-verktøy med fingeren på bryteren eller fører strøm til verktøy som har bryteren slått på (ON).
- Fjern eventuelle justeringsnøkler eller fastnøkler før du slår el-verktøyet på (ON). Dersom en fastnøkkel eller justeringsnøkkel er festet til en roterende del av el-verktøyet, kan det føre til personskade.
- Ikke strekk deg for langt. Sørg for å ha sikkert fotfeste og god balanse hele tiden. Dette gir bedre kontroll over verktøyet i uforutsette situasjoner.
- Sørg for å være riktig kledd. Unngå løstsittende klær eller smykker. Hold hår og klær unna bevegelige deler. Smykker eller langt hår kan sette seg fast i bevegelige deler.
- Hvis apparater er utstyrt for tilkobling av støvavtrekk og oppsamlingsutstyr, må det sørges for at disse er koblet til og brukes riktig. Bruk av støvoppsamler kan redusere støvrelaterte farer.

Bruk og håndtering av el-verktøy

- Ikke bruk makt på el-verktøyet. Bruk riktig verktøy til oppgaven. Riktig verktøy gir bedre og tryggere utførelse av arbeidet når det brukes til oppgaver det er laget for.
- Ikke bruk el-verktøyet hvis bryteren ikke slår verktøyet på og av. El-verktøy som ikke kan kontrolleres med bryteren, er farlig og må repareres.

- Trekk støpselet ut fra strømuttaket og/eller fjern batteriet fra el-verktøyet før du foretar noen endringer, bytter tilbehør eller lagrer el-verktøyet. Slike forebyggende sikkerhetstiltak reduserer risikoen for at el-verktøyet startes utilsiktet.
- Oppbevar verktøy som ikke er i bruk utenfor barns rekkevidde og der det er utilgjengelig for andre som ikke er fortrolige med verktøyet eller disse instruksjonene for bruk av verktøyet. El-verktøy kan være farlige hvis de brukes av ufagkyndige.
- Vedlikehold av el-verktøy. Kontroller at det ikke er feiljusteringer eller kiling i bevegelige deler, og at det ikke er brudd på deler eller andre forhold som kan redusere el-verktøyets ytelse. Hvis el-verktøyet er skadet, må det repareres før bruk. Mange ulykker skyldes dårlig vedlikeholdt el-verktøy.
- Hold kutteverktøy skarpe og rene. Riktig vedlikeholdt kutteverktøy med skarpe kuttetekanter vil redusere risikoen for kiling og er lettere å kontrollere.
- Bruk el-verktøy, tilbehør og verktøybits osv. i samsvar med disse instruksjonene, og ta hensyn til forholdene på arbeidsstedet og arbeidet som skal utføres. Brukes verktøyet til andre formål enn det er beregnet til, kan det føre til en farlig situasjon.

Vedlikehold

- El-verktøyet skal vedlikeholdes av en kvalifisert reparatør, og det skal bare brukes identiske reservedeler. Dette vil sikre at el-verktøyets sikkerhet opprettholdes.

Spesifikk sikkerhetsinformasjon

⚠ ADVARSEL

Denne delen inneholder viktig sikkerhetsinformasjon som gjelder spesifikt for dette verktøyet.

Les disse forholdsreglene grundig før du bruker 700 Power Drive drivenhet for å redusere risikoen for elektrisk støt eller andre alvorlige personskader.

TA VARE PÅ ALLE ADVARSLER OG INSTRUKSJONER FOR FREMTIDIG REFERANSE!

Oppbevar denne bruksanvisningen sammen med maskinen for bruk av operatøren.

Drivenhet sikkerhet

- Følg instruksjonene for riktig bruk av denne maskinen. Før du bruker drivenheten må du ha lest og forstått instruksjonene og advarslene for alt utstyr og materialer som brukes. Hvis advarslene og instruksjonene ikke følges, kan det føre til skade på eiendom og/eller alvorlig personskade.

- **Ved gjenging av 1" (25 mm) eller større rør, må det brukes støtteenhet for å motstå gjengekreftene. Bruk en egnet støtteenhet i henhold til disse instruksene.** Støtteenheter forbedrer kontrollen og reduserer risikoen for slag, knusing og/eller andre skader.
- **Ved bruk av en annen støtteenhet enn støttearm, må støtteenheten reagere mot motorkapslingen.** Støtteenheter i kontakt med andre deler kan skade maskindelen eller øke risikoen for personskader.
- **Hold alltid drivenheten godt fast under gjenging eller når gjengehode trekkes ut av røret for å stå imot gjengekrefter, uansett bruk av støtteenhet.** Det vil redusere risikoen for slag, knusing og andre skader.
- **Ikke bruk denne drivenheten hvis bryteren er ødelagt.** Denne bryteren er en sikkerhetsinnretning som gjør at du kan slå av motoren ved å slippe bryteren.
- **Ikke bruk hansker eller løse klesplagg ved bruk av maskinen. Knepp igjen ermer og jakke. Ikke strekk deg over maskinen eller røret.** Klær kan komme borti røret eller maskinen, noe som kan resultere i at de vikler seg fast.
- **Én person må kontrollere både arbeidet og driften maskinen.** Kun operatøren må være i arbeidsområdet når maskinen er i gang. Det bidrar til å redusere risikoen for personskader.
- **Ikke bruk sløve eller skadde gjengebakker.** Skarpe kutteverktøy krever mindre moment og drivenheten blir enklere å kontrollere.
- **Hold håndtakene tørre, rene og fri for olje og fett.** Dette gir bedre kontroll over verktøyet.
- **Hold gulv tørre og fri for glatte materialer som olje.** Det oppstår lettere uhell på glatte gulv.
- **Bruk kun RIDGID gjengehoder med RIDGID 700 Power Drive drivenhet, andre gjengehoder passer muligens ikke riktig i drivenheten, noe som øker risikoen for skade på utstyret og personskader.**
- **Ved bruk for applikasjoner annet enn det som er beskrevet i denne bruksanvisningen, må det brukes en støtteenhet for å motstå håndtakskreftene.** Støtteenheter forbedrer kontrollen og reduserer risikoen for slag, knusing og/eller andre skader.

Hvis du har spørsmål vedrørende dette RIDGID®-produktet:

- Ta kontakt med din lokale RIDGID®-forhandler.
- Gå til RIDGID.com for å finne din lokale RIDGID-kontakt.
- Kontakt Ridge Tools tekniske serviceavdeling på e-postadressen rtctechservices@emerson.com, eller ring (800) 519-3456 i USA eller Canada.

Beskrivelse, spesifikasjoner og standardutstyr

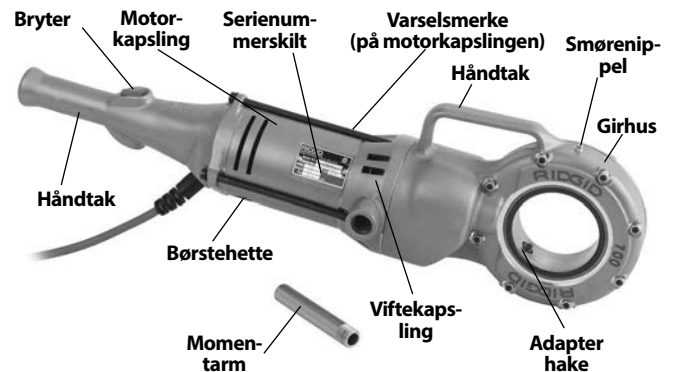
Beskrivelse

RIDGID®-modellen 700 Power Drive drivenhet er designet for å gi kraft til gjenging av rør. Rotasjon fremover og bakover kan velges med en reversibel bryter.

Drivenheten er designet for å bruke RIDGID 12-R gjengehoder (1/8" – 2" rør). Andre RIDGID gjengehoder som OO-R og 11-R kan brukes med adaptere.

Ved gjenging av 1" eller større rør, må det brukes en støtteenhet, som nr. 775 støttearm eller en RIDGID 14" kraftig rørtang for å motstå gjengekreftene.

Drivenheten kan også brukes for å drive RIDGID 258 rørkutter og for andre applikasjoner, (se "Andre bruksområder").



Figur 1 – Modell 700 Power Drive drivenhet

Spesifikasjoner

Gjengekapasitet.....Rør 1/8" til 2" (3 til 50 mm)
bolt 1/4" til 1" (6 til 25 mm) med
OO-RB gjengehode

Motor:

Type Universal, énfase

Volt 110 120 220-240

Ampere 13,5 13,5 6,5

Frekvens..... 50/60 Hz 50/60 Hz 50/60 Hz

Strøm..... 1500 1500 1500

Driftshastighet.....26-30 o/min, ingen belastning

KontrollerOmstillbar topolet omkoblerbryter
med fjærretur til OFF-posisjon

Girhode Støpt aluminium, tanndrev-
reduksjonsgir, fjærbelastede adapterha-
ker, girboks med herdet stålaksel

Dimensjon:

- Lengde28¼" (717 mm)
- Bredde6¼" (154 mm)
- Høyde.....7¼" (198 mm)
- Vekt25 lbs. (11 kg)
- Lydtrykk (L_{PA})**98,4 dB(A), K=3
- Lydeffekt (L_{WA})**107 dB(A), K=3
- Vibrasjon**2,5 m/s², K=1,5

* Se motorinformasjon på maskinens serienummerskilt for din spesielle maskin - Andre versjoner er tilgjengelige.

** Lyd- og vibrasjonsmål blir målt i henhold til en standardisert test iht. standarden EN 62481-1.

- Vibrasjonsnivåer kan brukes for sammenligning med andre verktøy og for foreløpig vurdering av eksponering.

- Lyd- og vibrasjonsnivåer kan variere ut fra sted og spesifikk bruk av disse verktøyene.

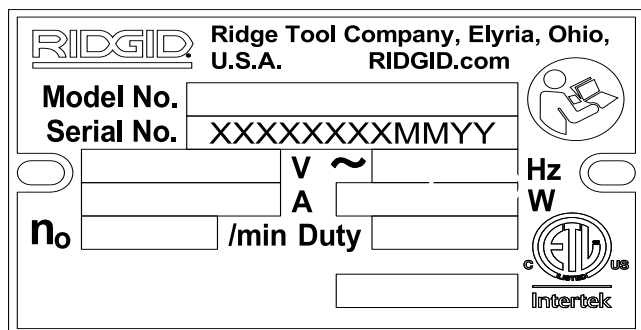
- Daglige eksponeringsnivåer for lyd og vibrasjon må evalueres for hver bruk, og egnede sikkerhetstiltak må iverksettes om nødvendig. Evaluering av eksponeringsnivåer må ta tiden et verktøy er slått av og ikke i bruk, med i beregningene. Dette kan redusere eksponeringsnivået betraktelig i løpet av den totale arbeidsperioden.

Standardutstyr

Modellen 700 Power Drive drivenhet leveres med følgende artikler:

- 700 Power Drive drivenhet
- Momentarm
- Støtteenhet
- Bruksanvisning

Serienummerskiltet til 700 Power Drive drivenhet er plassert på bunnen av motorkapslingen. De siste 4 tallene angir produksjonsmåned og -år. (12 = måned, 15 = år).



Figur 2 – Maskinens serienummer

MERK Valg av egnede materialer og installasjons-, skjøte- og utformingsmetoder er systemdesigneren og/eller installatørens ansvar. Valg av upassende materiale og metoder kan føre til systemfeil.

Rustfritt stål og andre korrosjonsbestandige materialer kan bli kontaminert under installasjon, skjøting og utforming. Denne kontaminasjonen kan føre til korrosjon og for tidlig svikt. En grundig vurdering av materialer og metoder for ulike driftsforhold, inkludert kjemiske og temperaturforhold, bør gjøres før installering.

Inspeksjon førdrift

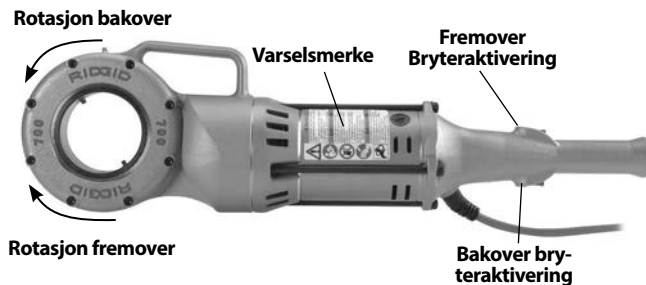
⚠ ADVARSEL



Inspiser din 700 Power Drive drivenhet før hver bruk og rett opp eventuelle problemer for å redusere risikoen for alvorlige personskader fra elektrisk støt, innvikling, knuseskader og andre årsaker og forhindre skade på drivenheten.

1. Sørg for at drivenheten er koblet fra strømmen.
2. Fjern olje, fett og smuss fra drivenheten og støtteenheten inkludert håndtak og kontrollelementer. Dette gjør inspeksjonen lettere og bidrar til å hindre at du mister taket på maskinen eller betjeningsselementet.
3. Inspiser drivenheten for følgende:
 - Skader på eller modifiseringer av ledningen og støpselet.
 - Riktig montering og vedlikehold, og at det er helt.
 - Skadde, skjeve eller fastsittende deler.
 - At bryteren fungerer riktig. Bekreft at den sviver jevnt og ikke sitter fast.
 - At det finnes varselmerker og at disse er lesbare (Figur 3).
 - Andre forhold som kan forhindre trygg og normal drift.
- Hvis det oppdages noen problemer, må ikke drivenheten eller støtteenheten brukes før problemene har blitt reparert.
4. Inspiser støttearmen. Sørg for at gripetennene er rene og i god stand. Tennene kan rengjøres med en stålbørste.
5. Inspiser kuttekantene til gjengebakkene for slitasje, misforming, hakk eller andre problemer. Sløve eller skadde kutteverktøy øker behovet for kraft, produserer dårlige gjenger og øker risikoen for personskader.
6. Undersøk og vedlikehold alt annet utstyr som brukes i henhold til instruksjonene for å sikre at alt fungerer som det skal.
7. Følg instruksjonene for *Klargjøring og betjening*, sjekk at drivenheten fungerer riktig.
 - Trykk inn og slipp bryteren for rotasjon **FREMOVER** og gjenga for rotasjon **BAKOVER** som vist på Figur 3. Bekreft at drivenheten roterer som vist på Figur 3 og at bryteren kontrollerer driften av maskinen.
 - La drivenheten stanse helt før det veksles til omvendt retning med bryteren. Det vil redusere risikoen for skader på drivenheten.
 - Trykk inn og hold bryteren. Undersøk om de bevegelige delene er feiljustert, fastkilt eller om de lager rare lyder, og se etter andre uvanlige forhold. Slipp bryteren.

Hvis maskinen ikke fungerer riktig, eller det finnes andre uvanlige forhold, må ikke maskinen brukes før den har blitt reparert.



Figur 3 – bryterposisjon for roterende retning

8. Slipp bryteren og trekk ut støpselet med tørre hender.

Klargjøring og bruk

⚠ ADVARSEL



Sett opp og bruk 700 Power Drive drivenhet i henhold til disse prosedyrene for å redusere risikoen for personskader fra elektrisk støt, innvikling, slag, knusing og for å bidra til å forhindre maskin-skade.

Ved gjenging av 1" (25 mm) eller større rør, må det brukes støtteenhet for å motstå gjengekreftene. Bruk en egnet støtteenhet i henhold til disse instruksene. Støtteenheter forbedrer kontrollen og reduserer risikoen for slag, knusing og/eller andre skader.

Hold alltid drivenheten godt fast under gjenging eller når gjengehode trekkes ut av røret for å stå imot gjengekrefter, uansett bruk av støtteenhet. Det vil redusere risikoen for slag, knusing og andre skader.

Støtt rørene godt. Dette reduserer risikoen for at rør faller eller velter, eller alvorlige personskader.

Ikke bruk drivenheten uten en bryter som fungerer riktig.

Ikke bruk hansker eller løse klesplagg ved bruk av maskinen. Knepp igjen ermer og jakke. Ikke strekk deg over maskinen eller røret. Klær kan komme borti røret eller maskinen, noe som kan resultere i at de vikler seg fast.

Én person må kontrollere både arbeidet og bryteren. Ikke bruk maskinen sammen med flere personer. Hvis innvikling skulle oppstå, må operatøren ha kontroll over bryteren.

1. Sjekk arbeidsområdet for:

- Tilstrekkelig lys.
- Brennbare væsker, damper eller støv som kan antennes. Om dette er til stede, må du ikke bruke stedet før kildene er identifisert og problemet løst. Drivenhetene er ikke eksplosjonssikret og kan forårsake gnister.
- Ryddige, jevne, stabile og tørre områder for alt utstyr og for operatør.
- God ventilasjon. Ikke bruk maskinene på små, inne-lukkede områder.
- Ordentlig jordet stikkontakt med riktig spenning. Be en autorisert elektriker om å undersøke stikkkontakten hvis du er i tvil.
- Fri passasje til stikkkontakten uten risiko for skade på strømledningen.

2. Inspiser røret som skal gjenges og tilhørende koblinger og bekreft at 700 Power Drive drivenhet er riktig verktøy for jobben. *Se spesifikasjonene.*

Utstyr for andre applikasjoner finner du i Ridge Tool-katalogen, online på RIDGID.com eller ved å ringe Ridge Tool Technical Service på telefon (800) 519-3456 fra Amerika og Canada.

3. Sørg for at utstyret som skal brukes, har blitt skikkelig inspisert.
4. Forbered røret etter behov. Sørg for at røret er kuttet rett og avgradert. Rør kuttet i vinkel kan skade gjengebakkene under gjenging eller forårsake vanskeligheter med å få gjengehodet til å ta.
5. Sørg for at røret som skal gjenges er stødig og festet så det ikke tipper under bruk. Bruk egnede rørstøtter for å støtte rørlengden.
6. Sjekk nivået på RIDGID gjengeoljen i RIDGID 418 oljesmøreren. Fjern flisebrettet og bekreft at filterskjermer er ren og helt dekket av olje. Skift ut eller tilsett olje om nødvendig. Sett pannen til 418 oljesmører under rørenden som skal gjenges.

Installere gjengehoder

1. Sørg for at drivenheten er koblet fra strømuttaket.
2. Press 12-R gjengehode eller adapter (*se Ekstra utstyr*), sporenden først, helt inn i drivenheten til de fjærbelastede adapterhakene griper sporene. (Figur 4). Gjengehodet eller adapteren kan settes inn på hvilken som helst side av drivenheten. I noen tilfeller må gjengehodene/adapterne roteres slik at hakene kan gripe tak. 770 og 773 adaptere må ha gjengehoder installert i adapteren før de settes inn i drivenheten.

3. For å fjerne gjengehodet igjen, trekk det rett ut av drivenheten. Bruk en hammer med mykt hode eller en trekloss for å banke gjengehodet ut ved behov. Ikke slå på gjengehodet, det kan skade verktøyet.



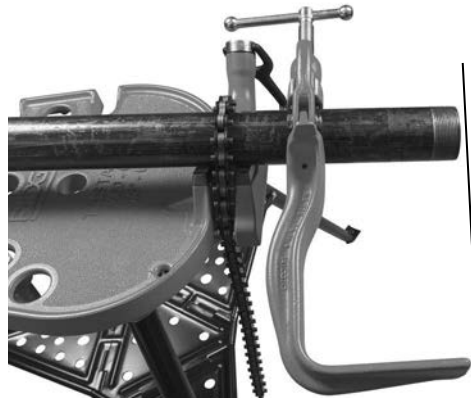
Figur 4 – Installere gjengehoder i 700 Power Drive drivenhet

Motstå gjengekrefter (støtteenheter)

For høyregjenger vil gjengehodet rotere med urviseren (sett mot gjengehodet). Krefter fra gjengemomentet vil være i motsatt eller moturs retning. Rotasjon og krefter vil være omvendt for venstregjenger. Sørg for at støtteenheten er satt opp så den absorberer og motstår gjengekraften.

Med nr. 775 støttearm:

1. Støttearm bøylekrok kan monteres på hvilken som helst side. Stram låsebolten godt.
2. Plasser støttearmen på røret slik at enden av støttearmen er på linje med enden av røret og 700 Power Drive drivenhet er litt over horisontal (figur 5 og 6). Det plasserer støttearmen riktig for gjenging og forhindrer at det renner gjengeolje ned drivenheten.
3. Sørg for at støttearmens kjever er helt og holdent på linje med røret og stram støttearmen godt.



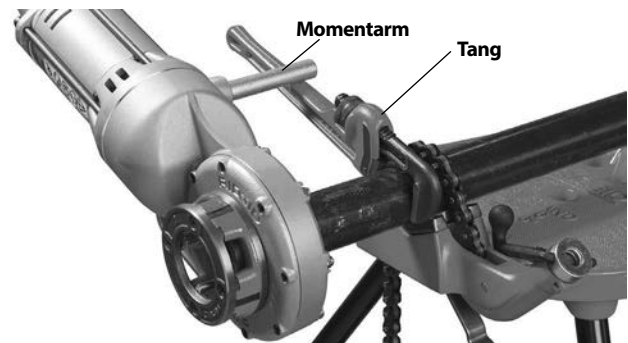
Figur 5 – Støttearm på linje med rørenden



Figur 6 – Støttearm plassert med 700 Power Drive drivenhet litt over horisontal

Med en RIDGID 12", 14" eller 18" kraftig rørtang:

1. Installer momentarmen sikkert inn i viftekapslingen til 700 Power Drive drivenhet. En 5" (127 mm) lang bit av ½" plan 80 stålør med en ½" NPT-gjenger kan også brukes.
2. Plasser RIDGID 12", 14" eller 18" kraftig rørtang omtrent 7" (175 mm) fra rørenden (se Figur 7). Test for å se om tangen er sikker og ikke kan falle eller bevege seg.
3. Når gjengingen begynner, vil momentarmen sitte på rørtangens håndtak.



Figur 7 – Gjenging med rørtang som støttearm

Andre støttemetoder:

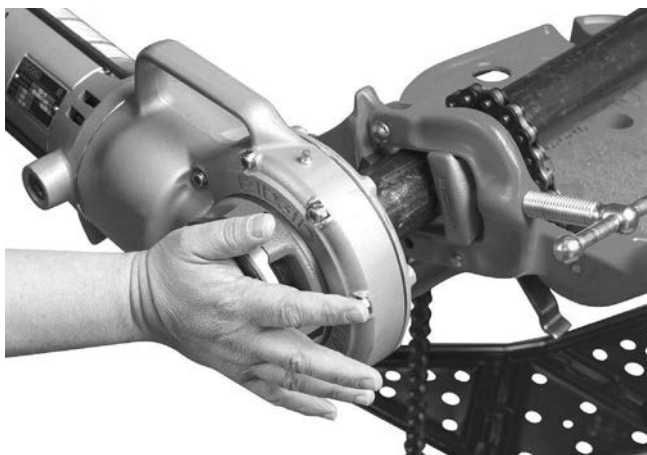
Plasser drivenhetens motorkapsling (se Figur 1) mot en struktur i nærheten (eksempler inkluderer vegger, drage-re og bjelker). Dette krever at røret som skal gjenges og omgivelsene kan motstå vekten av verktøyet og gjengekreftene. Det kan være nødvendig å legge til midlertidige eller permanente rørstøtter eller strukturelementer for å motstå gjengekreftene.

For rør med ¾" diameter eller mindre:

Rør med ¾" og mindre nom. dimensjon kan gjenges uten bruk av støtteenhet. I så fall må operatøren motstå gjengekreftene. Røret må festes godt for å forhindre rotasjon. Hold alltid drivenheten godt fast ved gjenging eller når gjengehodet fjernes fra røret for å motstå kreftene. Det vil redusere risikoen for slag, knusing og andre skader.

Gjenging

1. Koble drivenheten fra strømmen med tørre hender.
2. Plasser gjengehodet over rørenden og støtt drivenheten som angitt i delen Motstå gjengekrefter. Hold alltid drivenheten mot støtteenheten. Ikke putt noe mellom drivenheten og støtteenheten – dette øker risikoen for klemming og knuseskader.
3. Innta riktig arbeidsstilling for å ha kontroll på maskinen (se Figur 9),
 - Sørg for god balanse og at du ikke trenger å strekke deg for langt.
 - Sørg for at du kan kontrollere bryteren og maskinen. Ikke trykk inn bryteren enda. Du må kunne slippe bryteren hvis det skulle oppstå en nødssituasjon.



Figur 8 – Starte gjengingen

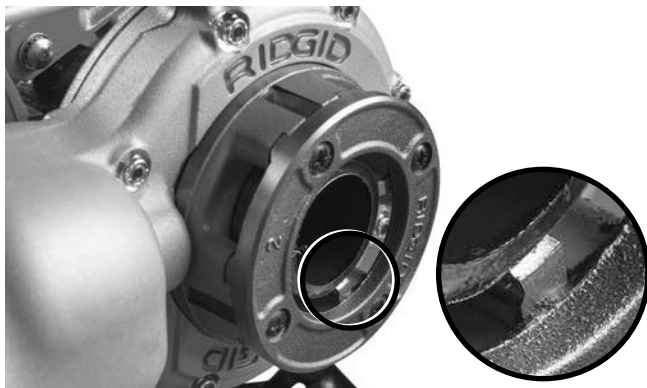
4. Aktiver bryteren (se Figur 3) og trykk mot gjengehodets dekkplate samtidig med håndflaten på den frie hånden for å starte gjengingen (Figur 8). Ikke bruk hansker, smykker eller en klut mens du trykker på dekkplaten – det øker risikoen for innvikling og skade. Når gjengebakkene griper i røret, blir gjengene kuttet mens gjengebakkene trekkes mot enden av røret.

Hold alltid godt tak i drivenhetens håndtak for å motstå håndtakskreftene. Støtteenheter kan glippe og gjøre at drivenheten beveger på seg. Bryteren kan slippes når som helst for å slå AV drivenheten.



Figur 9 – Gjenging av rør

5. Slutt å presse på dekkplaten og bruk oljesmøreren for å påføre tilstrekkelige mengder med RIDGID gjengeolje på området som skal gjenges. Dette vil redusere gjengemomentet, forbedre gjengekvaliteten og øke gjengebakkens levetid.
6. Hold bryteren trykket inn til rørenden er på linje med kanten på gjengebakkene (Figur 10). Følg med så drivenheten ikke går mot støtteenheten. Slipp bryteren. La drivenheten stoppe helt.

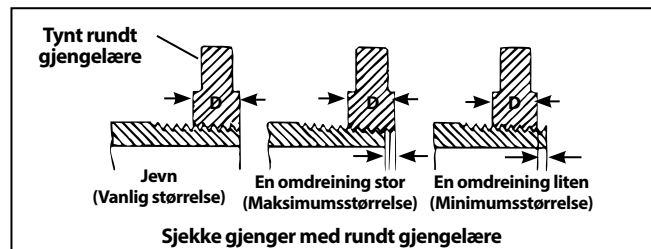


Figur 10 – Rør på linje med kanten av gjengebakkene

7. Aktiver bryteren i revers retning for å fjerne gjengebakkene fra det gjengede røret. Hold godt tak i drivenheten for å motstå håndtakskreftene som oppstår når gjengeflis brytes og gjengehodene trekkes tilbake.
8. Slipp bryteren og fjern drivenheten og gjengehodet fra røret.
9. Koble drivenheten fra strømmen med tørre hender.
10. Tørk olje og rester fra gjengene og ut av gjengehodet, pass på at du ikke kutter deg på skarpe rester eller kanter. Tørk opp ev. oljesøl i arbeidsområdet.

Undersøke gjengene

1. Fjern olje, flis eller rester fra gjengene.
2. Foreta en visuell sjekk av gjengene. Gjenger skal være glatte og hele med fin fason. Hvis gjengene er revnet, tynn eller hvis røret ikke er rundt, kan det hende at gjengene ikke vil være tette. Se "Feilsøking" for hjelp til å diagnostisere problemene.
3. Undersøk gjengestørrelsen. Foretrukket metode for å sjekke gjengestørrelsen er med et rundt gjengelære. Det finnes flere ulike typer gjengelærer, og bruken kan variere fra det som er vist på Figur 11.
 - Skru gjengelæret på gjengene og stram til for hånd.
 - Se hvor langt rørenden går gjennom gjengelæret. Enden på røret skal være jevn med gjengelærets side, pluss/minus én omdreining. Skjær av gjengen, juster gjengehodet og kutt en ny gjenge dersom gjengen ikke har riktig mål. Det å bruke en gjenge som ikke har riktig mål kan forårsake lekkasjer.



Figur 11 – Undersøk gjengestørrelsen

- Hvis et rundt gjengelære ikke er tilgjengelig for å måle gjengestørrelsen, er det mulig å bruke en ny, ren del som er representativ for de som brukes i arbeidet, til å måle gjengestørrelsen. For 2"- og mindre NPT-gjenger skal gjengene kuttes til å oppnå 4 til 5 omdreininger for hånd med delen, og for 2" og mindre BSPT-gjenger skal det være 3 omdreininger.

700 Power Drive drivenhet – andre bruksområder

Denne bruksanvisningen inneholder spesifikke instruksjoner for bruk av 700 Power Drive drivenhet for å gjenge med ulike RIDGID gjengehoder. Ved bruk med annet RIDGID-utstyr (som RIDGID 258/258XL rørbryter) må du følge instruksjonene og advarslene som følger med det RIDGID-utstyret for riktig oppsett og bruk.

Ridge Tool kan ikke gi spesifikke instruksjoner for alle mulige bruksområder for 700 Power Drive drivenhet. Brukeren må evaluere det spesifikke arbeidsscenariet og bruke gode arbeidsrutiner og metoder. Hvis det er noen tvil om bruken av 700 Power Drive drivenhet til slike andre oppgaver, må den ikke brukes.

Hvis 700 Power Drive drivenhet brukes til andre formål, må dette evalueres nøye og arbeidet må forberedes i henhold til de generelle retningslinjene under. 700 Power Drive drivenhet vil levere høye momenter og tilsvarende store håndtakskrefter som kan forårsake slag og knuseskader.

- RIDGID 774 firkantet drivadapter kan brukes for å tilpasse 700 Power Drive drivenhet til å gjøre en hann $\frac{1}{16}$ " firkantet. Fest adapteren godt for å forhindre at den løsner under bruk.
- En egnet metode for å motstå alle håndtakskreftene må utvikles (se delen "Motstå håndtakskrefter"). Kraftene må ikke overskride 1000 lbs (455 kg). Støtteenheter kan plasseres mot motorkapslingen eller viftkapslingen på 700 Power Drive drivenhet (Figur 1).
- Hold alltid drivenheten mot støtteenheten – ikke plasser kroppsdel mellom drivenheten og støtteenheten.

- Det må ikke være noen relativ bevegelse mellom drivenheten og støtteenheten under bruk.
- Bekreft at applikasjonen (som drift eller betjening av en ventil) kan bevege seg fritt, ikke sitter fast og at bevegelsesendene er kjent. Hvis systemet sitter fast eller stanser under bruk, vil håndtakskreftene øke abrupt og betraktelig, eller drivenheten kan rotere.
- Hvis den brukes til betjening eller drift av ventiler eller annet utstyr, må alle instruksjonene fra utstyrets produsent følges. Ikke overbelast utstyret.
- Bruk slik at 700 Power Drive drivenhet sine reaksjonskrefter trekker bort fra brukeren.
- Slipp bryteren når som helst for å slå av drivenheten. Sørg for at du har mulighet til å slippe bryteren.

Instruksjoner for vedlikehold

⚠ ADVARSEL

Sørg for at bryteren er frigitt og maskinen er koblet fra strømmen før det utføres noe vedlikehold eller justeringer.

Vedlikehold verktøyet i henhold til disse prosedyrene for å redusere risikoen for personskader fra elektrisk støt, innvikling eller andre forhold.

Rengjøring

1. Tøm gjengeflisene fra flisebrettet til 418 oljesmører etter hver bruk og tørk ut alle oljerester.
2. Tørk av olje, fett eller urenheter fra drivenheten inkludert håndtak og betjeningslementer.
3. Tørk av olje, fett eller smuss fra støttearmen. Om nødvendig, rengjør støttearmens kjever med en stålbørste.
4. Fjern fliser og smuss fra gjengehodene.

Smøring

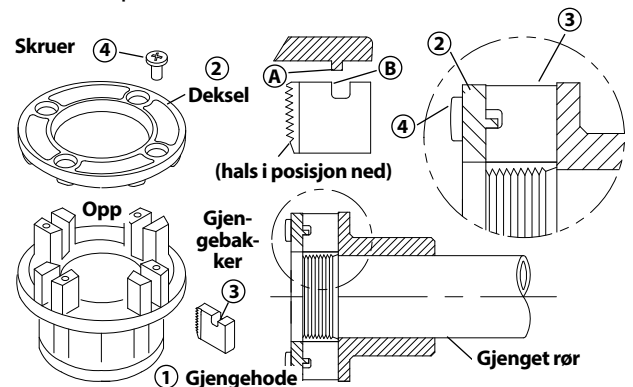
Bruk fettpresse for å tilsette Lithium EP (Extreme Pressure)-fett gjennom fettniplene på girkapslingen (se Figur 1) hver 3. til 6. måned, avhengig av bruk av maskinen.

Bytte gjengebakker i 12-R gjengehoder

Et utvalg gjengebakker er tilgjengelige for installasjon i RIDGID 12-R gjengehoder. Se katalogen for tilgjengelighet.

1. Fjern de fire skruene (4), dekkplaten (2) og gjengebakkene (3) fra gjengehodet.
2. Sett nye gjengebakker inn i hullene, nummerert kant (1, 2, 3, 4) opp. Tallene på gjengebakkene må stemme med tallene på sporene på gjengehodene. Bytt alltid gjengebakkene som et sett.

3. Installer dekkplaten (2) og skruene (4) og stram skruene lett.
4. Skru en gjenget rørende på gjengebakkene til de begynner å gjenge. Denne kraften stopper på gjengebakker "B" utover mot tapp "A" på dekkplaten og setter størrelsen riktig.
5. Stram de fire skruene godt. Fjern det gjengede røret og utfør et prøvecutt.



Figur 12 – Installere gjengebakker i gjengehodet

Bytte børster i motoren

Kontroller motorbørstene hver 6. måned. Bytt dem når de er slitt til mindre enn ¼" (6 mm).



Figur 13 – Børsteinstallasjon

1. Koble maskinen fra strømmen.
2. Skru ut børstehettene. Fjern og kontroller børstene. Bytt dem ut når de er slitt til mindre enn ¼" (6 mm). Undersøk kommutatoren for slitasje. Få utført service hvis slitasjen er for stor.
3. Sett inn børstene igjen / installer nye børster.
4. Kjør enheten på tomgang i 15 minutter i retning fremover etterfulgt av 15 minutter i retning bakover for å sette børstene til kommutatoren før bruk.

Tilleggsutstyr

⚠ ADVARSEL

For å redusere risikoen for alvorlige personskader må det bare brukes utstyr som er spesielt designet og anbefalt for bruk sammen med 700 Power Drive drivenhet, som de som er oppført på listen under.

Katalognr.	Beskrivelse
42600	770 adapter for 00-R (1/8" – 1") og 00-RB (1/4" – 1")
42605	771 adapter for 0-R (1/8" – 1")
42610	772 adapter for 11-R (1/8" – 1 1/4")
42615	773 adapter for 111-R (1/8" – 1 1/4")
42620	774 firkantet drivadapter -15/16"
42625	775 støttearm
46615	Momentarm
42950	B-171-X metallkoffert
10883	418 oljesmører m/1 gallon Premium gjengeolje
41620	Fett for girhodemotor

Du finner mer informasjon om utstyr tilgjengelig for 700 Power Drive drivenhet spesifikt for verktøyet i RIDGID-katalogen og online på RIDGID.com.

Oppbevaring av maskinen

⚠ ADVARSEL 700 Power Drive drivenhet må oppbevares innendørs og godt tildekket i regnvær. Oppbevar maskinen på et låst område som er utenfor rekkevidde for barn og andre som ikke er kjent med maskinene. Denne maskinen kan forårsake alvorlig personskade i hendene på brukere som ikke har fått opplæring.

Vedlikehold og reparasjon

⚠ ADVARSEL

Feil vedlikehold eller reparasjon kan gjøre maskinen farlig å bruke.

Instruksjoner for vedlikehold beskriver de fleste vedlikeholdsbehovene til denne maskinen. Eventuelle problemer som ikke er dekket av dette avsnittet, bør kun håndteres av en autorisert RIDGID-tekniker.

Verktøyet bør tas med til et RIDGID- autorisert servicesenter, eller returneres til fabrikken. Bruk kun RIDGID servicedeler.

For informasjon om RIDGIDs nærmeste uavhengige servicesenter eller eventuelle service- eller reparasjonsspørsmål:

- Kontakt din lokale RIDGID-forhandler.
- Gå til RIDGID.com for å finne din lokale RIDGID-kontakt.
- Kontakt Ridge Tools tekniske serviceavdeling på rttechservices@emerson.com, eller ring (800) 519-3456 i USA og Canada.

Informasjon om gjengeolje

Les og følg alle instruksjoner på etiketten for gjengeolje og i sikkerhetsdatabladet (SDS - Safety Data Sheet). Spesifikk informasjon om RIDGID gjengeoljer, inkludert farenmerking, førstehjelp, brannsikkerhet, tiltak ved utilsiktede utslipp, håndtering og oppbevaring, personlig verneutstyr, avfallshåndtering og transport, er beskrevet på beholderen og i sikkerhetsdatabladet. Sikkerhetsdatabladet er tilgjengelig på www.RIDGID.com eller ved å kontakte Ridge Tools tekniske serviceavdeling på (800) 519-3456 i USA og Canada eller på e-post: rttechservices@emerson.com.

Avfallshåndtering

Deler av 700 Power Drive drivenhet inneholder nyttige materialer som kan resirkuleres. Det kan finnes lokale selskaper som spesialiserer seg på resirkulering. Kasser komponentene i samsvar med alle gjeldende bestemmelser. Kontakt dine lokale myndigheter for mer informasjon om avfallshåndtering.



For EU-land: Ikke kast elektrisk utstyr sammen med husholdningsavfall!

Ifølge EU-direktivet 2012/19/EU for elektrisk avfall og elektronisk utstyr og implementeringen i nasjonal lovgivning, må elektrisk utstyr som ikke lenger kan brukes samles separat og kasseres på riktig måte med hensyn til miljøet.

Feilsøking

PROBLEM	MULIGE ÅRSAKER	LØSNING
Maskinen vil ikke gå.	Børstene berører ikke armaturet.	Sjekk børstene, bytt dem ut hvis de er slitt.
Maskinen kan ikke lage gjenger.	Sløve gjengebakker.	Skift ut gjengebakkene.
	Overbelastning grunnet slitte eller ikke runde gjenger.	Se mulige grunner under.
	Dårlig kvalitet eller utilstrekkelig gjengeolje.	Bruk RIDGID gjengeolje i tilstrekkelig kvantitet.
	Utilstrekkelig linjespenning.	Sjekk strømforsyningsspenningen.
Tynne gjenger.	Utilstrekkelig kontakt mellom børstene og kommutatoren	Stram børstehettene for å sørge for at børstene presses godt mot kommutatoren.
	Børstene berører ikke kommutatoren skikkelig.	Bytt slitte børster og/eller armatur.
	Børster fra annen produsent.	Bruk kun RIDGID børster.
	Nye børster.	Sett børstene ved å kjøre enheten på tomgang i 15 minutter fremover og 15 minutter bakover.
Gjengehodet begynner ikke å gjenge.	Gjengehodet ikke på linje med rørenden.	Press mot gjengehodets dekkplate for å starte gjengingen.
	Ikke tilstrekkelig gripekraft påført gjengehodet.	Påfør gripekraft gjennom rørets senterlinje.
	Rørende ikke kuttet rett.	Kutt rørenden rett.
	Sløve eller ødelagte gjengebakker.	Skift ut gjengebakkene.
	Maskinen går feil vei.	Kjør maskinen riktig vei.
	Gjengebakesettet er ikke satt riktig inn i gjengehodet.	Sørg for at gjengebakkene er satt utover mot dekkplatens tapper.
Ødelagte gjenger.	Skadde, hakkete eller slitte gjengebakker.	Skift ut gjengebakkene.
	Feil eller ikke tilstrekkelig med gjengeolje.	Bruk kun RIDGID® gjengeolje i tilstrekkelig kvantitet.
	Feil type materiale i gjengebakkene.	Velg rustfritt stål for høye hastigheter eller en legering som er egnet for bruken.
	Dårlig rørmateriale/-kvalitet.	Bruk bedre rørkvalitet.
Gjenger ute av runde eller knust.	Tykkelsen på rørveggen er for tynn.	Bruk str. 40 eller større veggtykkelse.
Støtteenhet roterer under gjenging.	Støttearmens kjever er skitne.	Rengjør med stålbørste.
	Støttearmen er ikke justert riktig.	Rettt støttearmen inn helt på linje med røret.
	Støttearmen er ikke stram.	Stram mateskruen.
Tynne gjenger.	Gjengebakkene er ikke plassert i riktig rekkefølge.	Plasser gjengebakkene i de riktige sporene i gjengehodet.

Käyttölaite

700



VAROITUS!

Lue tämä käyttöohje huolellisesti ennen tämän työkalun käyttöä. Jos tämän käyttöohjeen sisältö ymmärretään väärin tai sitä ei noudateta, seurauksena voi olla sähköisku, tulipalo ja/tai vakava henkilövahinko.

700-käyttölaite

Merkitse sarjanumero alla olevaan tilaan ja säilytä tyyppikilvessä näkyvä tuotteen sarjanumero.

Sarja-
Nro

Sisällysluettelo

Tallennuslomake koneen sarjanumerolle	149
Turvallisuussymbolit.....	151
Yleiset sähkötyökaluihin liittyvät turvallisuusvaroitukset.....	151
Työalueen turvallisuus.....	151
Sähköturvallisuus	151
Henkilökohtainen turvallisuus.....	152
Sähkötyökalun käyttäminen ja hoitaminen	152
Huolto.....	152
Erityisiä turvallisuustietoja.....	152
Käyttölaitteen turvallisuus.....	153
Kuvaus, tekniset tiedot ja vakiovarusteet.....	153
Kuvaus	153
Tekniset tiedot.....	153
Vakiovarusteet.....	154
Tarkastus ennen käyttöä.....	154
Valmistelut ja käyttö	155
Kierrepäiden asennus	156
Kierteitysvoimien kumoaminen.....	156
Kierteitys	157
Kierteiden tarkastus	158
700-käyttölaite – Muut käytöt.....	159
Huolto-ohjeet	159
Puhdistus.....	159
Voitelu.....	159
Terien vaihto 12-R-kierrepäihin	159
Moottorin harjojen vaihtaminen	160
Lisävarusteet.....	160
Koneen varastointi.....	160
Huolto ja korjaus.....	160
Tietoja kierteitysöljyistä	161
Hävittäminen	161
Vianmääritys	162
EY-vaatimustenmukaisuusvakuutus.....	Takakannen sisäpuoli
Elinikäinen takuu.....	Takakansi

*Alkuperäisten ohjeiden käännös

Turvallisuussymbolit

Tässä käyttöohjeessa ja tuotteessa annetaan tärkeitä turvallisuustietoja käyttämällä turvallisuussymboleja ja signaalisanoja. Tässä osiossa kuvataan nämä signaalisanat ja symbolit.



Tämä on turvallisuusasiasta varoittava symboli. Sitä käytetään varoittamaan mahdollisesta henkilövahingon vaarasta. Noudata symbolin perässä annettuja turvallisuusohjeita, jotta vältät mahdollisen henkilövahingon tai kuoleman.

VAARA

VAARA tarkoittaa vaarallista tilannetta, joka johtaa kuolemaan tai vakavaan henkilövahinkoon, ellei sitä vältetä.

VAROITUS

VAROITUS tarkoittaa vaarallista tilannetta, joka voi johtaa kuolemaan tai vakavaan henkilövahinkoon, ellei sitä vältetä.

VARO

VARO tarkoittaa vaarallista tilannetta, josta voi olla seurauksena lievä tai kohtuullinen loukkaantuminen, ellei sitä vältetä.

HUOMAUTUS

HUOMAUTUS tarkoittaa tietoja, jotka auttavat välttämään omaisuusvahinkoja.



Tämä symboli tarkoittaa, että käyttöopas on luettava huolellisesti ennen laitteen käyttämistä. Käyttöohje sisältää tärkeitä tietoja laitteen turvallisuudesta ja oikeaoppisesta käytöstä.



Tämä symboli tarkoittaa, että tätä laitetta käytettäessä on aina käytettävä sivusuojuksilla varustettuja turvalaseja tai suojalaseja silmävaurioiden välttämiseksi.



Tämä symboli tarkoittaa, että sormet, kädet, vaatteet tai muut kohteet voivat tarttua hammaspyöriin tai pyöriviin osiin tai niiden väliin ja aiheuttaa puristumisvammoja.



Tämä symboli tarkoittaa sähköiskun vaaraa.



Tämä symboli ilmoittaa koneen kaatumisriskistä, josta voi olla seurauksena puristus- tai iskuvammoja.



Tämä symboli tarkoittaa, että tätä konetta käytettäessä ei saa käyttää käsiä tarttumisvaaran vähentämiseksi.



Tämä symboli tarkoittaa, että aina on käytettävä tukilaitetta kierteitusvoimien estämiseksi, hallinnan parantamiseksi sekä henkilövahinkojen vaaran vähentämiseksi.

Yleiset sähkötyökaluihin liittyvät turvallisuusvaroitukset*

VAROITUS

Lue kaikki ohjeet huolellisesti. Jos kaikkia seuraavassa lueteltuja ohjeita ei noudateta, seurauksena saattaa olla sähköisku, tulipalo ja/tai vakava henkilövahinko.

SÄILYTÄ KAIKKI VAROITUKSET JA OHJEET MYÖHEMPÄÄ KÄYTTÖÄ VARTEN!

Varoituksissa käytettävä termi "sähkötyökalu" viittaa verkkovirtakäyttöisiin sähkötyökaluihin (joissa on virtajohto) sekä akkukäyttöisiin sähkötyökaluihin (joissa ei ole virtajohtoa).

Työalueen turvallisuus

- **Pidä työalue siistinä ja hyvin valaistuna.** Epäsiisti tai pimeä työalue altistaa onnettomuuksille.
- **Älä käytä sähkötyökaluja räjähdysriskissä ympäristöissä, kuten syttyvien nesteiden, kaasujen tai pölyn läheisyydessä.** Sähkötyökaluista syntyy kipinöitä, jotka saattavat sytyttää pölyn tai höyryt.
- **Älä käytä sähkötyökalua lasten tai sivullisten läheisyydessä.** Häiriötekijät saattavat johtaa työkalun hallinnan menettämiseen.

Sähköturvallisuus

- **Sähkötyökalun pistokkeiden on sovittava pistorasiaan.** Pistoketta ei saa koskaan muuttaa millään tavalla. Älä käytä pistokeadapteereita maadoitettujen sähkötyökalujen kanssa. Maadoitettujen työkalujen on kytkettävä kaikkien sääntöjen ja määräysten mukaisesti oikein asennettuun ja maadoitettuun pistorasiaan. Älä koskaan poista maadoituspiikkiä tai muuta pistoketta millään tavalla. Jos et ole varma, onko pistorasia asianmukaisesti maadoitettu, tarkista asia pätevän sähköasentajan kanssa. Muuttamattomat pistokkeet ja niihin sopivat pistorasiat vähentävät sähköiskujen vaaraa.
- **Vältä koskemasta maadoitettuihin pintoihin, kuten putkiin, lämpöpattereihin, liesiin ja jääkaappeihin.** Sähköiskun vaara kasvaa, jos käyttäjän keho on maadoitettu.
- **Älä altista sähkötyökaluja sateelle tai märille olosuhteille.** Sähkötyökaluun pääsevä vesi lisää sähköiskun vaaraa.
- **Älä vahingoita virtajohtoa.** Älä koskaan käytä johtoa työkalun kantamiseen tai pistokkeen irrottamiseen pistorasiasta. Älä altista virtajohtoa kuumuudelle, öljylle, teräville reunoille tai liikkuville osille.

* Tämän käyttöohjeen sähkötyökaluja koskevien yleisten turvallisuusohjeiden osiossa käytetty teksti on soveltuvan standardin UL/CSA 62841-1 version mukainen. Tämä osa sisältää useiden erityyppisten sähkötyökalujen yleisiä turvallisuuskäytäntöjä. Kaikki varoitukset eivät päde kaikkiin työkaluihin ja jotkin niistä eivät päde tähän työkaluun.

Vaihda vialliset johdot heti. Vioittuneet johdot lisäävät sähköiskun vaaraa.

- **Kun sähkötyökalua käytetään ulkona, käytä ulkoikäyttöön tarkoitettua jatkojohtoa, jossa on merkinä "W-A" tai "W".** Nämä johdot on luokiteltu ulkokäyttöön ja ne vähentävät sähköiskun vaaraa.
- **Jos sähkötyökalua käytetään kosteissa olosuhteissa, käytä vikavirtakatkaisimella (GFCI) suojattua virtälähdettä.** Vikavirtakatkaisimen käyttäminen vähentää sähköiskun vaaraa.

Henkilökohtainen turvallisuus

- **Ole valppaana, keskity tekemiseesi ja käytä maalaisjärkeä käyttäessäsi sähkötyökalua. Älä käytä sähkötyökalua väsyneenä tai huumeiden, alkoholin tai lääkkeiden vaikutuksen alaisena.** Hetkellinen valppauden herpaantuminen sähkötyökalua käytettäessä voi johtaa vakaviin henkilövahinkoihin.
- **Käytä henkilösuojaimia. Käytä aina suojalaseja.** Suojavarusteiden, kuten hengityssuojaimen, luistamattomien turvakengien, suojakypärän ja kuulonsuojaimien käyttö vähentää henkilövahinkojen vaaraa.
- **Estä tahaton käynnistyminen. Varmista, että virtakytkin on OFF-asennossa, ennen kuin kytket virtälähteen ja/tai akun tai nostat tai kannat työkalua.** Sähkötyökalujen kantaminen sormi virtakytkimellä tai virtajohdon kytkeminen sähkötyökaluihin, joiden virtakytkin on ON-asennossa, altistaa onnettomuuksille.
- **Poista säätöavaimet tai -työkalut ennen kuin kytket virran päälle työkaluun.** Sähkötyökalun pyöriivään osaan kiinni jätetty säätötyökalu saattaa johtaa loukkaantumiseen.
- **Älä kurottele. Säilytä tukeva asento ja tasapaino kaikissa tilanteissa.** Tämä parantaa sähkötyökalun hallintaa yllättävissä tilanteissa.
- **Pukeudu asianmukaisesti. Älä käytä löysiä vaatteita tai koruja. Pidä hiukset, vaatteet ja käsineet erossa liikkuvista osista.** Löysät vaatteet, korut tai pitkät hiukset voivat takertua liikkuviin osiin.
- **Jos laitteessa on liitettä pölynpoistolle ja keräyslaitteille, varmista, että ne on liitetty ja niitä käytetään oikein.** Pölynkeräyslaitteen käyttäminen voi vähentää pölyn aiheuttamia vaaroja.

Sähkötyökalun käyttäminen ja hoitaminen

- **Älä ylikuormita sähkötyökalua. Käytä käyttötarkoitukseen soveltuvaa sähkötyökalua.** Oikea sähkötyökalu suoriutuu tehtävästä paremmin ja turvallisemmin vauhdilla, johon se on suunniteltu.

- **Älä käytä sähkötyökalua, jos sitä ei voida käynnistää ja sammuttaa virtakytkimellä.** Sähkötyökalu, jota ei voi ohjata virtakytkimellä, on vaarallinen ja se on korjattava.
- **Irrota pistoke pistorasiasta ja/tai akku sähkötyökalusta, ennen kuin suoritat säätöjä, vaihdat tarvikkeita tai varastoit sähkötyökalun.** Tällaiset ennakoivat turvatoimet vähentävät sähkötyökalun tahattoman käynnistymisen vaaraa.
- **Säilytä sähkötyökalut poissa lasten ulottuvilta äläkä anna sellaisten henkilöiden käyttää työkalua, jotka eivät ole perehtyneet sähkötyökalun käyttöön ja näihin ohjeisiin.** Sähkötyökalut ovat vaarallisia tottumattomien käyttäjien käsissä.
- **Huolla sähkötyökalut. Tarkista, esiintyykö liikkuvissa osissa kohdistusvirheitä tai takertumista ja onko työkalussa vaurioituneita osia tai muita sähkötyökalun toimintaan vaikuttavia vikoja. Vaurioitunut sähkötyökalu on korjattava ennen käyttöä.** Monet onnettomuudet johtuvat huonosti huolletuista sähkötyökaluista.
- **Pidä leikkaustyökalut terävinä ja puhtaina.** Oikein huolletut ja terävät leikkaustyökalut juuttuvat vähemmän ja ovat helpompia hallita.
- **Käytä sähkötyökalua, lisävarusteita, työkalun kärkiä jne. näiden ohjeiden mukaisesti ja ota huomioon työolosuhteet ja suoritettava työ.** Sähkötyökalun käyttö muuhun kuin sille aiottuun tarkoitukseen saattaa johtaa vaaratilanteeseen.

Huolto

- **Anna pätevä korjaajan huoltaa sähkötyökalu käyttämällä ainoastaan identtisiä varaosia.** Tämä varmistaa sähkötyökalun turvallisuuden.

Erityisiä turvallisuustietoja

VAROITUS

Tämä osio sisältää nimenomaan tähän työkaluun liittyviä tärkeitä turvallisuusohjeita.

Lue nämä turvallisuustiedot huolellisesti ennen 700-käyttölaitteen käyttöä, jotta pienennät sähköiskun, isku-, puristumis- ja muiden vakavien vammojen vaaraa.

SÄILYTÄ KAIKKI VAROITUKSET JA OHJEET MYÖHEMPÄÄ KÄYTTÖÄ VARTEN!

Säilytä tämä käyttöohje laitteen läheisyydessä, jotta se on käytettävissä.

Käyttölaitteen turvallisuus

- **Noudata asianmukaisia ohjeita laitteen käyttämiseksi.** Lue ja ymmärrä kaikkien käytettävien varusteiden ja materiaalien ohjeet ja varoitukset ennen käyttölaitteen käyttöä. Jos kaikkia varoituksia ja ohjeita ei noudateta, seurauksena voi olla omaisuusvahinkoja tai vakava henkilövahinko.
- **Kun kierteitetään 1" (25 mm) tai sitä suurempia putkia, käytä tukilaitetta kierteitysvoimien kumoamiseksi.** Käytä asianmukaista tukilaitetta näiden ohjeiden mukaisesti. Tukilaitteet parantavat laitteen hallintaa sekä vähentävät iskujen, puristumisen ja/tai muiden henkilövahinkojen vaaraa.
- **Muuta tukilaitetta kuin tukivartta käytettäessä tukilaitteen on reagoitava moottorikoteloa vasten.** Muihin osiin koskevat tukilaitteet voivat vahingoittaa koneen osia tai lisätä henkilövahingon vaaraa.
- **Pidä käyttölaitteesta aina tukevasti kiinni kierteityksen aikana tai peruutettaessa kierrepäätä pois putkesta kierteitysvoimien kumoamiseksi riippumatta siitä, käytetäänkö tukilaitetta vai ei.** Tämä vähentää isku-, puristumis- ja muiden vammojen vaaraa.
- **Älä käytä tätä käyttölaitetta, jos kytkinpainike on rikki.** Tämä kytkin on turvalaite, joka pysäyttää moottorin, kun ote siitä päästetään.
- **Älä pidä käsineitä tai löysiä vaatteita, kun käytät laitetta.** Älä anna hihojen roikkua ja napita takit. Älä kurottele koneen tai putken ylitse. Vaatteet voivat juuttua putkeen tai koneeseen ja takertua kiinni.
- **Yhden henkilön on ohjattava työprosessia ja koneen käyttöä.** Koneen käytön aikana sen luona saa olla vain laitteen käyttäjä. Tämä vähentää henkilövahinkojen vaaraa.
- **Älä käytä tylsiä tai vioittuneita teriä.** Terävät leikkutyökalut vaativat vähemmän vääntövoimaa ja käyttölaitetta on helpompi hallita.
- **Pidä kahvat kuivina ja puhtaina.** Pyyhi pois öljy ja rasva. Tämä helpottaa työkalun ohjausta.
- **Pidä lattiat kuivana ja tarkista, ettei niillä ole liukkaista materiaaleja, kuten öljyä.** Liukkaat lattiat altistavat onnettomuuksille.
- **Käytä RIDGID 700-käyttölaitteen kanssa ainoastaan RIDGID-kierrepäitä.** Muut kierrepäät eivät ehkä sovi kunnolla käyttölaitteeseen lisäten laite- ja henkilövahinkojen vaaraa.

- **Kun konetta käytetään muuhun kuin tässä ohjekirjassa kuvattuun tarkoitukseen, käytä tukilaitetta käsittelyvoimien estämiseksi.** Tukilaitteet parantavat laitteen hallintaa sekä vähentävät iskujen, puristumisen ja/tai muiden henkilövahinkojen vaaraa.

Jos sinulla on kysyttävää tästä RIDGID®-tuotteesta:

- Ota yhteys paikalliseen RIDGID®-jälleenmyyjään.
- Etsi paikallinen RIDGID-edustaja osoitteesta RIDGID.com.
- Ridge Toolin tekniseen huolto-osastoon saa yhteyden lähettämällä sähköpostia osoitteeseen rttechservices@emerson.com, tai soittamalla Yhdysvalloissa ja Kanadassa numeroon (800) 519-3456.

Kuvaus, tekniset tiedot ja vakiovarusteet

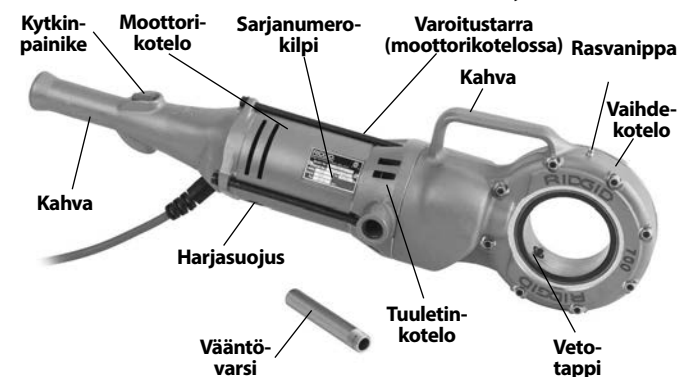
Kuvaus

RIDGID® mallin 700-käyttölaite on suunniteltu tuottamaan voimaa putken ja kanavan kierteitykseen. Eteen- ja taaksepyörytys voidaan valita palautuvalla kytkimellä.

Käyttölaite on suunniteltu RIDGID 12-R-kierrepäille (1/8" – 2" putki). Muita RIDGID-kierrepäitä, kuten OO-R ja 11-R, voidaan käyttää välikappaleiden kanssa.

Kun kierteitetään 1" ja sitä isompia putkia, käytä tukilaitetta, esim. nro 775 Tukivarsi tai isoja RIDGID 14" putkipihtejä kierteitysvoimien kumoamiseksi.

Käyttölaitetta voidaan käyttää myös RIDGID 258-putkileikurin kanssa muihin sovelluksiin, (ks. "Muut käytöt").



Kuva 1 – Käyttölaite malli 700

Tekniset tiedot

Putkikoot.....	Putki 1/8" – 2" (3 – 50 mm)
	Pultti 1/4" – 1" (6 – 25 mm)
	kierrepäällä 00-RB

Moottori:

Tyyppi	Yleismoottori, suuntaa vaihtava		
Jännite	110	120	220-240
Virta	13,5	13,5	6,5
Taajuus	50/60 Hz	50/60 Hz	50/60 Hz
Teho	1500	1500	1500
Käyttönopeus	26-30 r/min, kuormittamattomana		

Säätimet.....Kaksiasentoinen kytkin jousipalautteisella OFF-asennolla

Vaihteisto.....Alumiinivalu, täysin tuettu hammaspyörävaihteisto, jousikuorimitettu vetotappi, karkaistusta teräksestä valmistettu karan hammaspyörä

Mitat:

Pituus	28 1/4" (717 mm)
Leveys	6 1/16" (154 mm)
Korkeus	7 13/16" (198 mm)
Paino.....	25 lbs. (11 kg)
Äänenpaine (L _{PA})**	98,4 dB(A), K=3
Äänenteho (L _{WA})**	107 dB(A), K=3
Tärinä**	2,5 m/s ² , K=1,5

* Katso koneesi moottoritiedot sarjanumerokilvestä – Muita malleja saatavilla.

** Ääni- ja tärinämittaukset on tehty standardin EN 62481-1 mukaisen standardoidun testin mukaisesti.

- Tärinätasoa voidaan käyttää vertailuissa muiden työkalujen kanssa altistuksen alustavaan arviointiin.

- Ääni- ja tärinätasot voivat vaihdella paikan ja näiden työkalujen käytön mukaan.

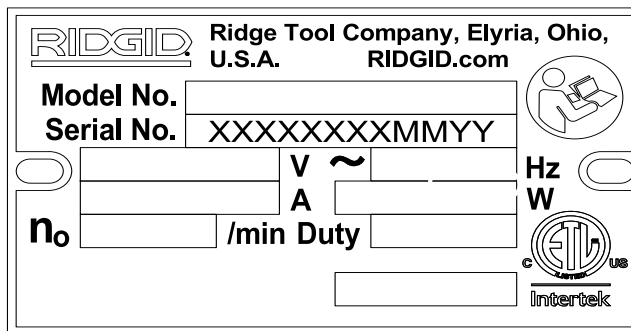
- Äänen ja tärinän päivittäiset altistusarvot on arvioitava tapauskohtaisesti ja tarvittaessa on ryhdyttävä asianmukaisiin turvatoimenpiteisiin. Altistustasojen arvioinnissa on otettava huomioon aika, jonka työkalu on päältä käytetty ja pois käytöstä. Tämä voi pienentää koko työskentelyjakson altistusarvoa merkittävästi.

Vakiovarusteet

Mallin 700-käyttölaitteen mukana toimitetaan seuraavat varusteet:

- 700-käyttölaite
- Väöntövarsi
- Tukilaite
- Käyttäjän käsikirja

700-käyttölaitteen sarjanumerokilpi on moottorikotelon pohjassa. 4 viimeistä numeroa osoittavat valmistuskuukauden ja -vuoden. (12 = kuukausi, 15 = vuosi).



Kuva 2 – Koneen sarjanumero

HUOMAUTUS Oikeiden materiaalien sekä asennus-, liittämisen- ja muotoilumenetelmien valinta on järjestelmän suunnittelijan ja/tai asentajan vastuulla. Väärien materiaalien ja menetelmien valinta voi aiheuttaa järjestelmävian.

Ruostumaton teräs ja muut korroosiota kestävä materiaalit voivat kontaminoitua asennuksen, liittämisen ja muotoilun aikana. Tällainen kontaminaatio saattaa aiheuttaa korroosiota ja ennenaikaisen rikkoutumisen. Kyseisiin käyttöolosuhteisiin, mukaan lukien kemialliset ja lämpöolosuhteet, tarkoitettujen materiaalien ja menetelmien on arvioitava huolellisesti ennen asennusta.

Tarkastus ennen käyttöä

VAROITUS

Tarkasta 700-käyttölaite ennen jokaista käyttökertaa ja korjaa mahdolliset ongelmat. Näin voidaan vähentää sähköiskujen, ruhjoutumisvammojen ja muista syistä johtuvien vakavien tapaturmien vaaraa ja estää käyttölaitteen vaurioituminen.

1. Varmista, että käyttölaite on irrotettu pistorasiasta.
2. Puhdista öljy, rasva ja lika käyttölaitteesta ja tukilaitteesta sekä kahvoista ja säätimistä. Tämä helpottaa koneen tarkastusta ja estää sen irtoamisen otteestasi tai sen hallinnan menettämisen.
3. Tarkasta käyttölaitteen seuraavat osat:
 - Verkkojohtoon ja pistokkeen vauriot ja muutostyöt.
 - Oikea asennus, kunnossapito ja täydellisyys.
 - Violliset, vinossa olevat tai juuttuneet osat.
 - Kytkimen oikea toiminta. Tarkista, että se liikkuu pehmeästi eikä juutu kiinni.
 - Varoitustarrat ja niiden luettavuus (Kuva 3).
 - Mahdolliset muut seikat, jotka voivat estää turvallisen ja normaalin käytön.

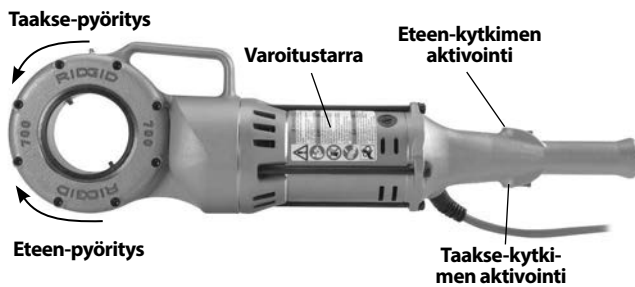
Jos ongelmia ilmenee, älä käytä käyttölaitetta tai tukilaitetta, ennen kuin ongelmat on korjattu.

4. Tarkista tukivarsi. Varmista, että tukivarren tartunta-hampaat ovat puhtaat ja hyvässä kunnossa. Hampaat on puhdistettava teräsharjalla.
5. Tarkasta terien leikkuusärmät kulumisen, muodonmuutosten, säröjen ja muiden ongelmien varalta. Tylsät ja vioittuneet leikkuutyökalut vaativat enemmän voimaa, heikentävät kierteiden laatua ja lisäävät tapaturmien vaaraa.
6. Tarkasta ja huolla kaikki muut käytettävät laitteet niiden ohjeiden mukaan ja varmista, että ne toimivat oikein.
7. Noudata kohdan *Valmistelut ja käyttö* ohjeita ja tarkasta käyttölaitteen toiminta.
 - Paina ja vapauta ETEEN-pyöriksen kytkin ja tee sama TAAKSE-pyörikselle *Kuvan 3* mukaisesti. Tarkasta, että käyttölaite pyörii *Kuvan 3* mukaisesti ja että kytkin ohjaa koneen toimintaa.

Anna käyttölaitteen pysähtyä kokonaan, ennen kuin suuntaa vaihdetaan kytkinpainikkeella. Tämä vähentää käyttölaitteen vahingoittumisen vaaraa.

 - Pidä kytkinpainiketta painettuna. Tarkasta liikkuvat osat ja varmista, että niiden kohdistus on oikea, kiinnitys toimii ja että epätavallisia ääniä tai muuta epätavallista ei ole. Vapauta kytkin.

Jos kone ei toimi oikein tai siinä on jotain epätavallista, älä käytä konetta, ennen kuin se on korjattu.



Kuva 3 – Kytkimen asento ja pyörimissuunta

8. Vapauta kytkinpainike ja irrota kone pistorasiasta kiuvin käsin.

Valmistelut ja käyttö

VAROITUS



Valmistele ja käytä 700-käyttölaitetta näiden menetelmien mukaisesti sähköiskun, kiinnitarttumisen, isku, puristumisen ja muiden syiden ai-

heuttamien henkilövahinkojen vaaran sekä käyttölaitteen vahinkojen vähentämiseksi.

Kun kierteitetään 1" (25 mm) tai sitä suurempia putkia, käytä tukilaitetta kierteitysvoimien kumoamiseksi. Käytä asianmukaista tukilaitetta näiden ohjeiden mukaisesti. Tukilaitteet parantavat laitteen hallintaa sekä vähentävät iskujen, puristumisen ja/tai muiden henkilövahinkojen vaaraa.

Pidä käyttölaitteesta aina tukevasti kiinni kierteityksen aikana tai peruutettaessa kierrepäätä pois putkesta kierteitysvoimien kumoamiseksi riippumatta siitä, käytetäänkö tukilaitetta vai ei. Tämä vähentää isku-, puristumis- ja muiden vammojen vaaraa.

Tue putki kunnolla. Tämä vähentää putoavien putkien, kaatumisen ja vakavien henkilövahinkojen vaaraa.

Älä käytä käyttölaitetta ilman oikein toimivaa kytkinpainiketta.

Älä pidä käsineitä tai löysiä vaatteita, kun käytät koneita. Älä anna hihojen roikkua ja napita takit. Älä kurottele koneen tai putken ylitse. Vaatteet voivat juuttua putkeen tai koneeseen ja takertua kiinni.

Saman henkilön on ohjattava sekä työprosessia että kytkinpainiketta. Laitetta ei saa käyttää samanaikaisesti usea henkilö. Jos koneeseen takeruu jotain, käyttäjän on voitava hallita kytkinpainiketta.

1. Tarkasta, onko työalueella:
 - Kunnollinen valaistus.
 - Syttyviä nesteitä, höyryjä tai pölyä. Mikäli alueella on näitä, älä aloita työskentelyä, ennen kuin ongelmat on tunnistettu ja korjattu. Käyttölaitteet eivät ole räjähdyksenkestäviä ja niistä voi muodostua kipinöitä.
 - Puhdas, tasainen, tukeva ja kuiva paikka kaikille laitteille ja käyttäjälle.
 - Hyvä ilmanvaihto. Älä käytä erittäin pienissä, suljetuissa tiloissa.
 - Oikein johdotettu pistorasia, joka antaa oikean jännitteen. Jos et ole varma, pyydä valtuutettua sähköasentajaa tarkistamaan pistorasia.
 - Pistorasiaan johtava reitti on vapaa, sillä ei ole mitään, mikä saattaisi vioittaa virtajohtoa.

2. Tarkista kierteitettävä putki ja liittimet ja varmista, että valittu 700-käyttölaite soveltuu työhön. *Katso Tekniset tiedot.*

Muihin sovelluksiin tarkoitettuja tuotteita on esitelty Ridge Tool -luettelossa osoitteessa RIDGID.com. Niitä

voi tiedustella myös Ridge Toolin teknisestä palvelusta Yhdysvalloissa ja Kanadassa numerosta (800) 519-3456.

3. Varmista, että käytettävät laitteet on tarkastettu asianmukaisesti.
4. Valmistele putki kunnolla. Varmista, että putki on leikattu suoraan ja purseet on poistettu. Kulmittain katkaistu putki voi vahingoittaa teriä kierteityksen aikana tai vaikeuttaa kierrepään kytkemistä.
5. Varmista, että kierteitettävä putki on tukevasti paikallaan, ettei se kallistu käytön aikana. Käytä asianmukaisia putkitukia putken tukemiseen koko matkalta.
6. Tarkasta RIDGID-kierteitysöljyn taso RIDGID 418 -öljyämislaitteessa. Irrota lastukaukalo ja tarkasta, että suodatinverkko on puhdas ja kokonaan öljyssä. Vaihda ja lisää öljyä tarvittaessa. Aseta 418-öljyämislaitteen astia kierteitettävän putken päälle.

Kierrepäiden asennus

1. Varmista, että käyttölaite on irrotettu pistorasiasta.
2. Työnnä 12-R-kierrepää tai välikappale (ks. Lisävarusteet) urapää edellä käyttölaitteeseen, kunnes jousikuormitetut vetotapit tarttuvat kunnolla uraan. (Kuva 4). Kierrepää tai välikappale voidaan asentaa käyttölaitteen molemmille puolille. Joissakin tapauksissa kierrepäitä/välikappaleita voidaan joutua pyörittämään niin, että tappi kytkeytyy. 770- ja 773-välikappaleissa kierrepää on asennettava välikappaleeseen ennen sen työntämistä käyttölaitteeseen.
3. Irrota kierrepää vetämällä se irti käyttölaitteesta. Käytä tarvittaessa pehmeää vasaraa tai puupalikkaa kierrepään naputtamiseksi irti. Älä lyö voimalla kierrepäähän, sillä työkalu saattaa vahingoittua.



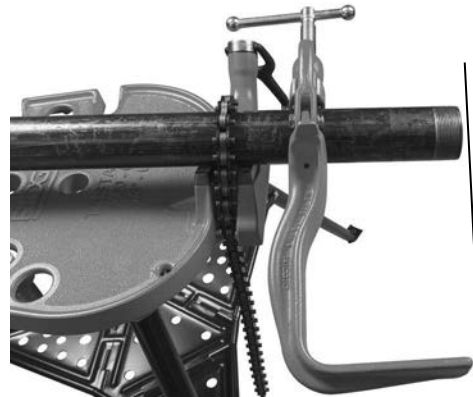
Kuva 4 – Kierrepäiden asennus 700-käyttölaitteeseen

Kierteitysvoimien kumoaminen (tukilaitteet)

Oikeakätisiä kierteitä tehtäessä kierrepää pyörii myötäpäivään (kierrepään päästä katsottuna). Kierteitysmomentin muodostamat voimat ovat suunnaltaan vastakkaisia eli vastapäivään. Pyörimissuunta ja voima ovat vastakkaisia vasenkätisille kierteille. Varmista, että tukilaite on asennettu oikein kierteitysvoimien vaimentamiseksi ja kumoamiseksi.

Tukivarren nro 775 käyttäminen:

1. Tukivarren koukku voidaan asentaa kummalle puolelle tahansa. Kiristä saranapultti kunnolla.
2. Aseta tukivarsi putkeen niin, että tukivarren pää on putken pään kohdalla ja 700-käyttölaite hieman vaakatason yläpuolella (Kuva 5 ja 6). Tämä asettaa tukivarren oikein kierteitystä varten ja estää kierteitysöljyn pääsyn käyttölaitteeseen.
3. Varmista, että tukivarren leuat ovat putken suuntaisesti ja kiristä tukivarsi kunnolla.



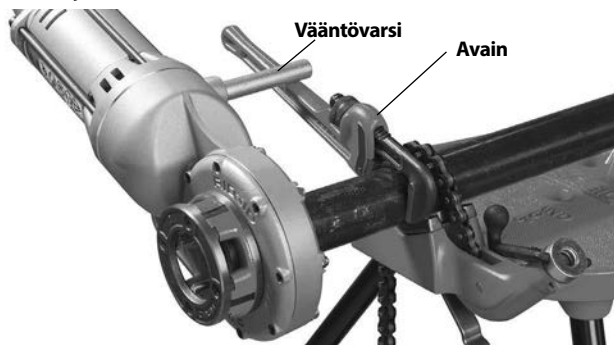
Kuva 5 – Tukivarsi putken pään kohdalla



Kuva 6 – Tukivarsi sijoitettuna ja 700-käyttölaite hieman vaakatason yläpuolella

Isojen RIDGID 12", 14" tai 18" putkipihtien käyttäminen:

1. Kiinnitä vääntövarsi tukevasti 700-käyttölaitteen tuuletinkoteloon. Voidaan käyttää myös 5" (127 mm) pitkää taulukon 80 mukaista ½" teräsputkea, jossa on ½" NPT-kierre.
2. Aseta RIDGID 12", 14" tai 18" putkipihdit noin 7" (175 mm) etäisyydelle putken päästä (ks. Kuva 7). Kokeile, että putkipihdit ovat kunnolla kiinni eivätkä putoa tai liiku.
3. Kun kierre aloitetaan, vääntövarsi on putkipihtien kändensijaa vasten.



Kuva 7 – Kierteisyyttä käyttämällä putkipihtejä tukivartena

Muut tukimenetelmät:

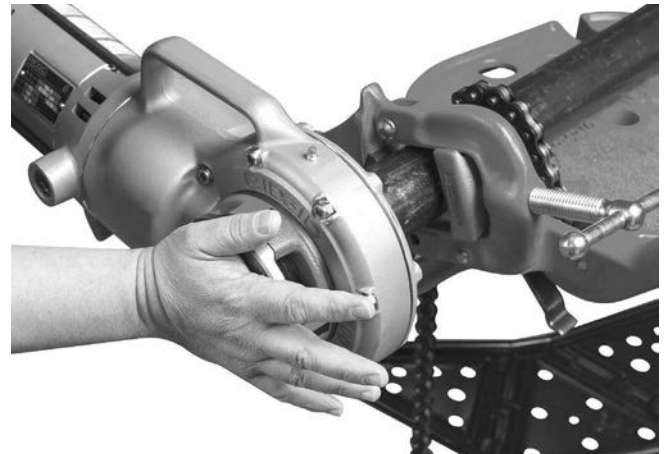
Aseta käyttölaitteen moottorikotelo (ks. Kuva 1) viereistä rakenneosaa vasten (esimerkit sisältävät seiniä, palkkeja ja kannattimia). Tämä edellyttää, että kierteitettävä putki ja ympäristö kestävät työkalun painon ja kiertäjävoimat. Joskus voi olla tarpeen lisätä tilapäiset tai pysyvät putki-tuet tai rakenneosat kiertäjävoimien kumoamiseksi.

¾" ja pienemmät putket:

Nimellismitaltaan ¾" ja sitä pienemmät putket voidaan kierteittää ilman tukilaitetta. Tällöin käyttäjä itse vastustaa kiertäjävoimia. Putki on kiinnitettävä kunnolla pyörimisen estämiseksi. Pidä käyttölaitteesta aina tukevasti kiinni kiertäjävoimien aikana tai peruutettaessa kierrepäätä pois putkesta voimien kumoamiseksi. Tämä vähentää isku-, puristumis- ja muiden vammojen vaaraa.

Kierteisyyttä

1. Liitä käyttölaite pistorasiaan kuivilla käsillä.
2. Aseta kierrepää putken päälle ja tue käyttölaite ohjeiden mukaan, jotka on annettu kohdassa Kierteisyyttävoimien kumoaminen. Pidä käyttölaite aina tukilaitetta vasten. Älä aseta mitään käyttö- ja tukilaitteen väliin – se lisää litistymis- ja ruhjevammojen vaaraa.
3. Ota oikea työasento, jotta voit hallita konetta (ks. Kuva 9).
 - Varmista, että tasapainosi on hyvä eikä sinun tarvitse kurotella.
 - Varmista, että voit hallita kytkinpainiketta ja konetta. Älä paina kytkintä vielä. Häätötilanteissa sinun on pysyttävä vapauttamaan kytkin.



Kuva 8 – Kierteen aloitus

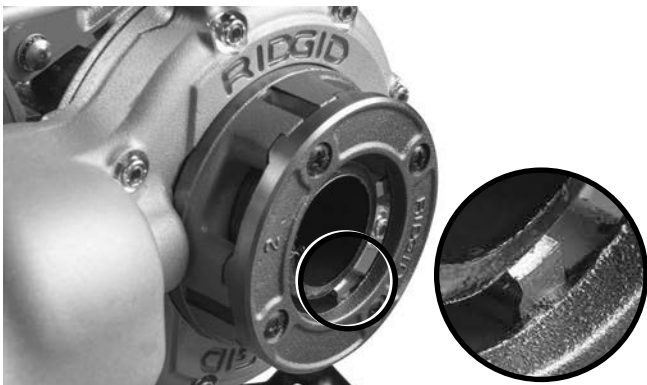
4. Aktivoi kytkinpainike (ks. Kuva 3) ja paina samalla kierrepään suojalevyä vapaan käden kämmenellä kierteen aloittamiseksi (Kuva 8). Älä käytä käsineitä, koruja tai riippua suojalevyä painettaessa – tämä lisää kiinnitarttumisen ja henkilövahinkojen vaaraa. Kun terät purevat putkeen, kierteet leikataan terien vetäessä itsensä putken päähän.

Pidä aina tiukasti kiinni käyttölaitteen kahvasta kahvavoimien kumoamiseksi. Tukilaitteet voivat luistaa ja saada käyttölaitteen liikkumaan. Kytkinpainike voidaan vapauttaa milloin tahansa käyttölaitteen SAMMUTTAMISEKSI.



Kuva 9 – Putken kierteitys

5. Lopeta suojalevyn painaminen ja käytä öljyämislaitetta niin, että kierteitettävällä alueella on runsaasti RIDGID-kierteitysöljyä. Tämä alentaa kierteitysmomenttia, parantaa kierteen laatua ja pidentää terän kestoikää.
6. Pidä kytkintä painettuna, kunnes putken pää on terien reunan tasalla (Kuva 10). Tarkkaile, ettei käyttölaite osu tukilaitteeseen. Vapauta kytkinpainike. Anna käyttölaitteen pysähtyä täysin.

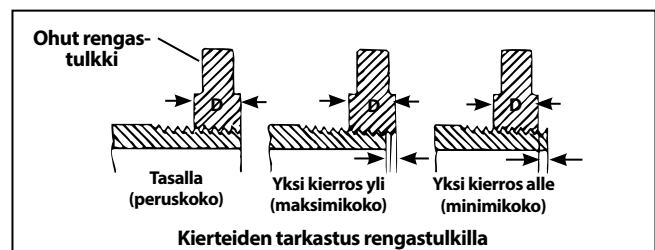


Kuva 10 – Putki terien reunan tasalla

7. Irrota teräpää kierteitetystä putkesta aktivoimalla kytkinpainike peruutussuuntaan. Pidä tiukasti kiinni käyttölaitteen kahvasta kahvavoimien kumoamiseksi, kun kierrelastu katkaistaan ja kierrepää peruutetaan pois putkesta.
8. Vapauta kytkin ja poista käyttölaite ja kierrepää putkesta.
9. Irrota käyttölaite pistorasiasta kuivin käsin.
10. Pyyhi öljy ja roskat kierteistä ja kierrepäästä. Varo loukkaamasta itseäsi teräviin lastuihin ja reunoihin. Puhdista mahdolliset öljyroiskeet työalueelta.

Kierteiden tarkastus

1. Poista mahdollinen öljy, lastut ja roskat kierteestä.
2. Tarkasta kierre silmämääräisesti. Kierteiden on oltava tasaisia ja täydellisiä ja oikeanmuotoisia. Jos havaitaan rikkoutuneita tai ohuita kierteitä tai putken pyöreyspoikkeamaa, kierre ei ehkä tiivistä kunnolla käytön aikana. Katso näiden ongelmien vianmääritystiedot kohdasta "Vianmääritys".
3. Tarkasta kierteen koko. Kierteen koon tarkastukseen suositellaan rengastulkkia. Rengastulkkia on erilaisia ja niiden käyttö voi poiketa siitä, mitä on esitetty Kuvassa 11.
 - Kierrä rengastulkki käsivoimin kierteeseen.
 - Katso, kuinka pitkälle putken pää menee rengastulkin läpi. Putken pään on oltava tulkin sivun tasalla +/- yksi kierros. Jos kierteen mitta ei ole oikea, katkaise kierre, säädä kierrepää ja leikkaa toinen kierre. Jos käytetään kierrettä, jonka mitat eivät ole oikein, seurauksena voi olla vuotoja.



Kuva 11 – Kierteen koon tarkastus

- Jos kierteen koon tarkastukseen ei ole käytettävissä rengastulkkia, on mahdollista käyttää uutta puhdasta liitintä, joka on samanlainen kuin työssä kierteen mittaamiseen käytetty liitin. 2" ja sitä pienemmät NPT-kierteet on leikattava niin, että liitintä voidaan kiertää paikalleen käsivoimin 4 - 5 kierrosta. 2" ja sitä pienemmille BSPT-kierteille tämä mitta on 3 kierrosta.

700-käyttölaite – Muut käytöt

Tämä käsikirja sisältää erityisohjeet 700-käyttölaitteen käyttämiseksi erilaisten RIDGID-kierrepäiden kanssa kierteiden tekemiseksi. Kun sitä käytetään muiden RIDGID-laitteiden (kuten RIDGID 258/258XL-voimaleikkuri) kanssa, noudata kyseisen RIDGID-laitteen mukana toimitettuja ohjeita ja varoituksia laitteen asentamiseksi ja käyttämiseksi oikein.

Ridge Tool ei pysty toimittamaan erityisohjeita 700-käyttölaitteen jokaiselle mahdolliselle käyttötavalle. Käyttäjän on arvioitava kyseinen työskenaario ja käytettävä hyviä työkäytänteitä ja -menetelmiä. Jos epäillään 700-käyttölaitteen soveltuvuutta näihin muihin tarkoituksiin, älä käytä sitä.

Jos 700-käyttölaitetta käytetään muihin tarkoituksiin, arvioi ja valmistele työ huolellisesti alla olevien yleisohjeiden mukaisesti. 700-käyttölaite tuottaa suuren vääntömomentin ja vastaavasti suuret kahvavoimat, jotka voivat aiheuttaa isku- ja puristumisvammoja.

- RIDGID 774-nelikulmavälikkappaletta voidaan käyttää 700-käyttölaitteen sovittamiseksi $1\frac{5}{16}$ " urosnelikulman pyörittämiseksi. Kiinnitä välikappale kunnolla, ettei se irtoa käytön aikana.
- Kahvavoimien kumoamiseen on kehitettävä asianmukainen menetelmä (ks. "Kahvavoimien kumoaminen"). Voimat voivat olla yli 1000 lbs (455 kg). Tukilaitteet voidaan asettaa 700-käyttölaitteen moottori- tai tuuletinkotelo vasten (Kuva 1).
- Pidä käyttölaite aina tukilaitetta vasten – älä aseta mitään kehon osaa käyttö- ja tukilaitteen väliin.
- Käyttö- ja tukilaitteen välillä ei saa olla liikettä käytön aikana.
- Tarkasta, että sovellus (kuten venttiilin käyttö liikuttelu) pyörii esteettä, ei juutu ja että liikkeen ääriasennot ovat tiedossa. Jos järjestelmä juuttuu tai takertuu käytön aikana, kahvavoimat kasvavat äkisti ja voimakkaasti tai käyttölaite saattaa lähteä pyörimään.
- Jos sitä käytetään venttiilien tai muiden laitteiden käyttämiseen tai liikutteluun, noudata laitevalmistajan ohjeita. Älä ylikuormita laitetta.
- Käytä niin, että 700-käyttölaitteen reaktiovoimat vetävät käyttäjäästä pois päin.
- Sammuta käyttölaite vapauttamalla kytkinpainike milloin tahansa. Varmista, että pystyt vapauttamaan kytkinpainikkeen.

Huolto-ohjeet

VAROITUS

Varmista ennen huoltoa tai säätöjä, että kytkinpainike on vapautettu ja koneen pistoke irrotettu pistorasiasta.

Huolla työkalu näiden menetelmäohjeiden mukaisesti sähköiskusta, tarttumisesta ja muista syistä johtuvan tapaturmavaaran pienentämiseksi.

Puhdistus

1. Puhdista jokaisen käyttökerran jälkeen kierrelastut 418-öljämislaitteen lastukaukalosta ja pyyhi öljyjäänteet.
2. Puhdista mahdollinen öljy, rasva, lastut tai muu lika käyttölaitteesta sekä kahvoista ja säätimistä.
3. Pyyhi mahdollinen öljy, rasva tai lika tukivarresta. Puhdista tarvittaessa tukivarren leuat teräsharjalla.
4. Poista lastut ja lika kierrepäistä.

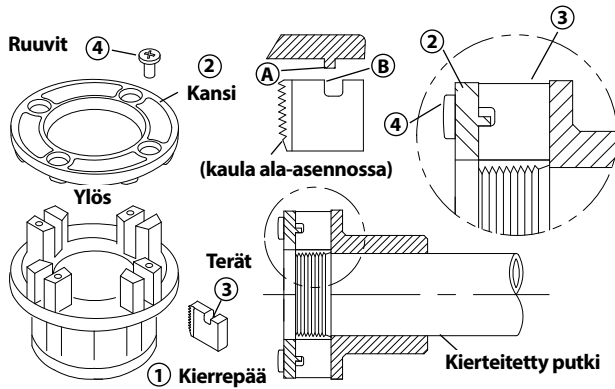
Voitelu

Lisää rasvapistoolilla EP-litiumrasvaa (Extreme Pressure) vaihdekotelossa olevien rasvanippojen kautta (ks. Kuva 1) 3 - 6 kuukauden välein koneen käyttöasteesta riippuen.

Terien vaihto 12-R-kierrepäihin

RIDGID 12-R-kierrepäihin on saatavana erilaisia teriä. *Katso terien saatavuus luettelosta.*

1. Irrota neljä ruuvia (4), suojalevy (2) ja terät (3) teräpästä.
2. Asenna uudet terät loviin numeroitu reuna (1,2,3,4) ylöspäin. Terien numeroiden on vastattava kierrepään lovien numeroita. Vaihda terät aina sarjana.
3. Asenna suojalevy (2) ja ruuvit (4) ja kiristä ne kevyesti.
4. Kierrä kierteitettyä putkea teriin, kunnes ne alkavat tehdä kierrettä. Tämä pakottaa terien pidättimet "B" ulospäin suojalevyn korvakkeita "A" vasten ja asettaa koon oikein.
5. Kiristä neljä ruuvia kunnolla. Poista kierreputki ja tee testileikkaus.



Kuva 12 – Terien asennus kierrepäähän

Moottorin harjojen vaihtaminen

Tarkasta moottorin harjat 6 kuukauden välein. Vaihda harjat, kun ne ovat kuluneet alle ¼" (6 mm) mittaan.



Kuva 13 – Harjan asennus

1. Kytke kone irti virtalähteestä.
2. Irrota harjasuojukset. Irrota ja tarkasta harjat. Vaihda harjat, kun ne ovat kuluneet alle ¼" (6 mm) mittaan. Tarkasta kollektori kulumisen varalta. Jos se on erittäin kulunut, toimita työkalu huollettavaksi.
3. Asenna harjat takaisin paikalleen/asenna uudet harjat.
4. Käytä laitetta joutokäynnillä 15 minuuttia eteenpäin ja sen jälkeen 15 minuuttia taaksepäin ennen käyttöä niin, että kollektorin harjat asettuvat paikoilleen.

Lisävarusteet

VAROITUS

Pienennä vakavan loukkaantumisen vaaraa käyttämällä ainoastaan laitteita, jotka on suunniteltu 700-käyttölaitteelle. Näitä ovat esimerkiksi alla luetellut varusteet.

Luettelonro	Kuvaus
42600	770 Välikappale 00-R- (½" – 1") ja 00-RB-kierrepäille (¼" – 1")
42605	771 Välikappale 0-R-kierrepäille (½" – 1")
42610	772 Välikappale 11-R-kierrepäille (½" – 1¼")
42615	773 Välikappale 111-R-kierrepäille (½" – 1¼")
42620	774 Nelikulmäväläkappale -1¼"
42625	775 Tukivarsi
46615	Vääntövarsi
42950	B-171-X Metallikotelo
10883	418 Öljyämislaitte ja 1 gallona laadukasta kierteitysöljyä
41620	Moottorin välitysrattaiden rasva

Lisätietoja 700-käyttölaitteelle sopivista lisävarusteista on annettu RIDGID-luettelossa ja Internetissä osoitteessa RIDGID.com.

Koneen varastointi

VAROITUS 700-käyttölaite on säilytettävä sisätiloissa tai hyvin sateelta suojattuna. Laite on säilytettävä lukitussa paikassa lasten ja asiattomien henkilöiden ulottumattomissa. Laite voi aiheuttaa vakavia henkilövahinkoja kouluttamattomien käyttäjien käsissä.

Huolto ja korjaus

VAROITUS

Epätäydellisen huollon tai korjauksen jälkeen laitteen käyttö ei välttämättä ole enää turvallista.

Huolto-ohjeet kattavat useimmat tämän koneen huoltotarpeista. Jos koneessa esiintyy ongelma, jota ei mainita tässä kohdassa, vain valtuutettu RIDGID-huoltoteknikko voi korjata sen.

Työkalu tulee viedä RIDGIDin huoltoliikkeeseen tai palauttaa tehtaalte. Käytä ainoastaan RIDGID-varaosia.

Lisätietoja lähimmistä valtuutetuista RIDGID-huoltoliikkeistä, huollosta ja huoltoon liittyvistä kysymyksistä:

- Ota yhteys RIDGID-jälleenmyyjään.
- Etsi paikallinen RIDGID-edustaja osoitteesta RIDGID.com.
- Ridge Toolin tekniseen palveluosastoon saa yhteyden lähettämällä sähköpostia osoitteeseen rtctechservices@emerson.com tai soittamalla Yhdysvalloissa ja Kanadassa numeroon (800) 519-3456.

Tietoja kierteitysöljyistä

Lue ja noudata kaikkia kierteistysöljytarrassa ja käyttöturvallisuustiedotteessa (SDS) annettuja ohjeita. Astiassa ja käyttöturvallisuustiedotteessa on annettu tiedot RIDGID-kierteitysöljyistä, mukaan lukien Vaaran tunnistaminen, Ensiapu, Palontorjunta, Ohjeet onnettomuuspäästöjen varalta, Käsittely ja varastointi, Henkilökohtaiset suojaimet, Hävittäminen ja Kuljetus. Käyttöturvallisuustiedote (MSDS) on saatavana osoitteessa RIDGID.com tai ottamalla Yhdysvalloissa ja Kanadassa yhteyttä Ridge Toolin tekniseen palveluosastoon numerossa (800) 519-3456 tai lähettämällä sähköpostia osoitteeseen rtctechservices@emerson.com.

Hävittäminen

700-käyttölaitteen osat sisältävät arvokkaita materiaaleja, jotka voidaan kierrättää. Tällaisesta kierrätyksestä huolehtivat paikalliset erikoisyrietykset. Komponentit on hävitettävä kaikkien soveltuvien säännösten mukaan. Pyydä lisätietoja paikallisilta jätehuoltoviranomaisilta.



EY-maissa: Älä hävitä sähkölaitteita kotitalousjätteen mukana!

EU:n sähkö- ja elektroniikkalaiteromudirektiivin 2012/19/EU ja sen kansallisen lainsäädännön täytäntöönpanon mukaan käytöstä poistetut sähkölaitteet on kerättävä erikseen

ja hävitettävä tavalla, joka ei vahingoita ympäristöä.

Vianmääritys

ONGELMA	MAHDOLLISIA SYITÄ	RATKAISU
Kone ei käy.	Harjat eivät koske pyörijään.	Tarkasta harjat, vaihda, jos ne ovat kuluneet.
Kone ei tee kierrettä.	Tylsät terät. Ylikuormitus repaleisten tai epäpyöreiden kierteiden vuoksi. Leikkuuöljyn heikko laatu tai riittämätömyys. Riittämätön verkkojännite.	Vaihda terät. Katso mahdolliset syyt alta. Käytä RIDGID-kierteitysöljyä riittävinä määrinä. Tarkasta syöttöjännite.
Ohuet kierteet.	Huono kosketus harjojen ja kollektorin välillä. Harjat eivät koske kunnolla kollektoriin. Erimerkkiset harjat. Uudet harjat.	Kiristä harjasuojukset niin, että harjat painuvat tiiviisti kollektoria vasten. Vaihda kuluneet harjat tai pyörijä. Käytä ainoastaan RIDGID-harjoja. Käytä laitetta eteen- ja taaksepäin 15 minuuttia niin, että harjat asettuvat paikalleen.
Kierrepäät eivät ala kierteittää.	Kierrepää ei ole putken pään tasalla. Voimaa ei kohdisteta oikein kierrepäähän. Putken päätä ei ole katkaistu suoraksi. Tylsät tai rikkoutuneet terät. Kone käy väärään suuntaan. Terät asetettu väärin kierrepäähän.	Paina kierrepään suojalevyä kierteityksen käynnistämiseksi. Kohdista voima putken keskilinjaa pitkin. Katkaise putken pää suoraksi. Vaihda terät. Käytä konetta oikeaan suuntaan. Varmista, että terät ovat ulospäin suojalevyn ulokkeita vasten.
Repaleiset kierteet.	Vioittuneet, lohjenneet tai kuluneet terät. Väärä kierteitysöljy tai sitä on liian vähän. Materiaalille vääranntyyppinen terä. Putken huono materiaali/laatu.	Vaihda terät. Käytä ainoastaan RIDGID®-kierteitysöljyä riittävinä määrinä. Valitse sovellukseen soveltuvat pikateräksestä, ruostumattomasta teräksestä tai seoksesta valmistetut terät. Käytä korkealaatuisempaa putkea.
Epäpyöreät tai litistyneet kierteet.	Putken seinämä on liian ohut.	Käytä taulukon 40 tai sitä paksumpaa seinämää.
Tukilaite pyörii kierteityksen aikana.	Tukivarren leuat likaiset. Tukivartta ei ole kohdistettu oikein. Tukivarsi ei ole tiukalla.	Puhdista teräsharjalla. Kohdista tukivarsi putken suuntaisesti. Kiristä syöttöruuvi.
Ohuet kierteet.	Terät asennettu väärässä järjestyksessä.	Aseta terät kierrepään oikeisiin loviin.

Power Drive

700



⚠ OSTRZEŻENIE!

Przed przystąpieniem do użytkowania narzędzia prosimy dokładnie przeczytać ten podręcznik obsługi. Niedopełnienie obowiązku przyswojenia i stosowania się do zaleceń zawartych w niniejszym podręczniku obsługi może spowodować porażenie prądem, pożar i/lub poważne obrażenia.

700 z napędem mechanicznym

Zapisz poniżej numer seryjny i numer seryjny produktu umieszczony na etykiecie z nazwą.

Numer
seryjny

--	--

Spis treści

Zapisywanie numeru seryjnego maszyny	163
Symbole ostrzegawcze	165
Informacje ogólne dotyczące bezpieczeństwa narzędzi elektrycznych	165
Bezpieczeństwo w miejscu pracy	165
Bezpieczeństwo związane z elektrycznością	165
Bezpieczeństwo osobiste	166
Użytkowanie i konserwacja narzędzia elektrycznego	166
Serwis.....	167
Informacje dotyczące bezpieczeństwa	167
Bezpieczeństwo związane z napędami elektrycznymi.....	167
Opis, dane techniczne i wyposażenie standardowe	168
Opis.....	168
Dane techniczne.....	168
Wyposażenie standardowe.....	168
Przegląd przed rozpoczęciem pracy	169
Ustawienia i obsługa	170
Zakładanie głowic gwinciarских.....	171
Równoważenie sił gwintowania	171
Gwintowanie	172
Sprawdzanie gwintów	173
700 Power Drive – Inne zastosowania	174
Instrukcje konserwacji	174
Czyszczenie.....	174
Smarowanie.....	174
Wymiana noży w głowicach 12-R.....	174
Wymiana szczotek silnika	175
Wyposażenie opcjonalne	175
Przechowywanie maszyny	175
Serwis i naprawa	175
Rozwiązywanie problemów	176
Informacje dotyczące oleju do gwintowania	176
Utylizacja	176
Deklaracja zgodności WE	Wewnętrzna strona tylnej okładki
Dożywotnia gwarancja	Tyłna okładka

*Tłumaczenie instrukcji oryginalnej

Symbole ostrzegawcze

W tym podręczniku obsługi oraz na produkcie użyto znaków i słów ostrzegawczych, które służą do podkreślania ważnych informacji dotyczących bezpieczeństwa. W tym rozdziale objaśniono znaczenie słów i znaków ostrzegawczych.



To jest symbol alertu bezpieczeństwa. Ostrzega przed potencjalnym ryzykiem odniesienia obrażeń ciała. Przestrzeganie wszystkich zasad bezpieczeństwa, które występują po tym symbolu, pozwoli uniknąć obrażeń lub śmierci.

▲ NIEBEZPIECZEŃSTWO

NIEBEZPIECZEŃSTWO oznacza ryzyko wystąpienia sytuacji, która grozi śmiercią lub poważnymi obrażeniami, jeśli jej się nie zapobiegnie.

▲ OSTRZEŻENIE

OSTRZEŻENIE oznacza ryzyko wystąpienia sytuacji, która może spowodować śmierć lub poważne obrażenia, jeśli jej się nie zapobiegnie.

▲ UWAGA

UWAGA oznacza ryzyko wystąpienia sytuacji, która może spowodować małe lub średnie obrażenia, jeśli jej się nie zapobiegnie.

NOTATKA

NOTATKA oznacza informację dotyczącą ochrony mienia.



Ten symbol oznacza, że należy dokładnie przeczytać podręcznik użytkownika, zanim zaczniesz się korzystać z urządzenia. Podręcznik użytkownika zawiera ważne informacje dotyczące bezpieczeństwa i prawidłowej obsługi sprzętu.



Ten symbol oznacza, że należy założyć okulary ochronne z bocznymi osłonami lub gogle podczas obsługi tego urządzenia, aby zmniejszyć ryzyko obrażeń oczu.



Ten symbol oznacza ryzyko pochwylenia palców, dłoni, odzieży i innych przedmiotów między przekładnie lub inne obracające się części prowadzącego do obrażeń zmiżdżenia.



Ten symbol oznacza ryzyko porażenia prądem.



Ten symbol wskazuje na ryzyko przewrócenia urządzenia, w wyniku którego powstają obrażenia udarowe lub zmiżdżenia.



Ten symbol nakazuje zdjęcie rękawic podczas obsługi tego narzędzia w celu zmniejszenia ryzyka zaplątania.



Ten symbol oznacza, że zawsze należy posługiwać się urządzeniem podpierającym, wspomagającym stawianie oporu sile przepychającej, poprawiającym kontrolę i zmniejszającym ryzyko odniesienia obrażeń ciała.

Informacje ogólne dotyczące bezpieczeństwa narzędzi elektrycznych*

▲ OSTRZEŻENIE

Prosimy przeczytać i zrozumieć wszystkie instrukcje. Niestosowanie się do wszystkich poniższych instrukcji może spowodować porażenie prądem elektrycznym, pożar i/lub poważne obrażenia ciała.

ZACHOWAĆ WSZYSTKIE OSTRZEŻENIA I INSTRUKCJE NA PRZYSZŁOŚĆ!

Termin "narzędzie elektryczne" występujący w ostrzeżeniach, odnosi się do urządzeń elektrycznych zasilanych z sieci (przewodowych) lub zasilanych z baterii (beprzewodowych).

Bezpieczeństwo w miejscu pracy

- **Należy utrzymywać miejsce pracy w czystości i dobrze oświetlone.** Nieuporządkowane lub ciemne miejsce pracy zwiększa ryzyko wypadku.
- **Nie używać narzędzi elektrycznych w atmosferze wybuchowej, takiej jak przy występowaniu łatwopalnych cieczy, gazów lub pyłów.** Narzędzia elektryczne generują iskry, które mogą spowodować zapłon pyłu lub oparów.

- **Podczas pracy z narzędziem elektrycznym dopilnować zachowania bezpiecznej odległości przez dzieci i osoby postronne.** Odwracanie uwagi może spowodować utratę kontroli.

Bezpieczeństwo związane z elektrycznością

- **Wtyczka narzędzia elektrycznego musi pasować do gniazdka zasilania. Nie modyfikować w żaden sposób wtyczki. Nie stosować żadnych adapterów przy podłączaniu do gniazdka uziemionych narzędzi elektrycznych. Narzędzia z uziemieniem należy prawidłowo podłączać do gniazdek z uziemieniem zgodnie z wszelkimi przepisami i nakazami. Nigdy nie należy usuwać wtyku uziemienia lub modyfikować wtyczki w żaden sposób. W razie wątpliwości co do prawidłowości uziemienia gniazda, skonsultować się z wykwalifikowanym elektrykiem.** Niemodyfikowane wtyki i dopasowane do nich gniazda zmniejszą ryzyko porażenia elektrycznego.
- **Unikać zetknięcia się ciała z powierzchniami uziemionymi, takimi jak rury, grzejniki, paleniska kuchenne i lodówki.** W przypadku, gdy ciało jest uziemione, występuje zwiększone ryzyko porażenia elektrycznego.
- **Nie wystawiać urządzeń elektrycznych na działanie deszczu lub wilgoci.** Woda, która dostanie się do urządzenia zwiększy ryzyko porażenia prądem elektrycznym.

* Tekst w rozdziale Informacje ogólne dotyczące bezpieczeństwa narzędzi elektrycznych niniejszego podręcznika jest zgodnie z wymogiem dosłownym cytowaniem stosowanej normy 1 edycji UL/CSA 62841-1. Ten rozdział zawiera ogólne praktyki bezpieczeństwa dotyczące wielu różnych typów narzędzi elektrycznych. Nie wszystkie ostrzeżenia mają zastosowanie do każdego narzędzia, a niektóre nie mają zastosowania do tego narzędzia.

- **Nie wolno nadwyręzać przewodu. Nie wolno używać przewodu do przenoszenia narzędzia, ani nie wyciągać wtyczki z gniazdka elektrycznego, chwytając za przewód. Chronić przewód przed gorącem, ostrymi krawędziami lub poruszającymi się częściami. Uszkodzone przewody zasilające należy bezzwłocznie wymienić.** Uszkodzony przewód zasilający zwiększa ryzyko porażenia elektrycznego.
- **Przy użytkowaniu narzędzia elektrycznego na wolnym powietrzu, stosować przewód przedłużający do zastosowań zewnętrznych oznakowany jako "W-A" lub "W".** Te przewody są przystosowane do stosowania na zewnątrz i zmniejszają ryzyko porażenia elektrycznego.
- **Jeśli użycie narzędzia elektrycznego w wilgotnym pomieszczeniu jest konieczne, użyć źródła zasilania z wyłącznikiem różnicowoprądowym (GFCI).** Użycie GFCI zmniejsza ryzyko porażenia prądem elektrycznym.

Bezpieczeństwo osobiste

- **Podczas pracy z narzędziem elektrycznym należy zachować czujność, ostrożność i kierować się zdrowym rozsądkiem. Nie używać narzędzia elektrycznego będąc zmęczonym albo pod wpływem narkotyków, alkoholu czy leków.** Chwila nieuwagi podczas pracy z narzędziami elektrycznymi może spowodować poważny uszczerbek na zdrowiu.
- **Należy stosować środki ochrony osobistej. Zawsze używać ochrony oczu.** Odpowiednie środki ochrony osobistej, takie jak maska przeciwpyłowa, nieślizgające się obuwie ochronne, kask lub ochrona słuchu stosowane w odpowiednich okolicznościach, zmniejszają ryzyko obrażeń.
- **Chronić przed przypadkowym uruchomieniem. Przed podłączeniem źródła zasilania i/lub akumulatora, podniesieniem lub przeniesieniem narzędzia, upewnić się, że włącznik jest w położeniu WYŁĄCZONY.** Noszenie narzędzi elektrycznych, trzymając jednocześnie palec na włączniku lub podłączanie ich do zasilania, gdy przełącznik zasilania jest WŁĄCZONY grozi wypadkiem.
- **Przed włączeniem narzędzia elektrycznego należy wyjąć wszelkie klucze regulacyjne lub mocujące.** Klucz pozostawiony na obracających się częściach narzędzia elektrycznego może doprowadzić do odniesienia obrażeń ciała.
- **Nie sięgać za daleko. Zawsze zapewniać sobie stabilne podparcie i równowagę.** Pozwala to na zachowanie lepszej kontroli nad urządzeniem w niespodziewanych sytuacjach.
- **Należy nosić odpowiednią odzież. Nie nosić luźnej odzieży ani biżuterii. Trzymać włosy i ubrania z dala od części ruchomych.** Luźne ubrania, biżuteria lub długie włosy mogą zostać wciągnięte w części ruchome.
- **Jeśli urządzenia zostały przystosowane do pracy z przystawkami odciągającymi i zbierającymi pył, upewnić się, że zostały one dołączone i są właściwie używane.** Korzystanie z przyrządów do zbierania pyłu zmniejsza ryzyko związane z pyleniem.

Użytkowanie i konserwacja narzędzia elektrycznego

- **Nie przeciążać narzędzia elektrycznego. Używać właściwych narzędzi elektrycznych, odpowiednich do zapotrzebowania.** Właściwe narzędzie elektryczne wykona sprawniej i bezpieczniej pracę, do której jest przeznaczone.
- **Nie używać narzędzia elektrycznego, jeśli wyłącznik go nie WŁĄCZA i nie WYŁĄCZA.** Każde narzędzie elektryczne, które nie może być kontrolowane poprzez wyłącznik jest niebezpieczne i musi zostać naprawione.
- **Przed dokonaniem jakichkolwiek regulacji, zmianą akcesoriów lub magazynowaniem należy odłączyć wtyczkę urządzenia od źródła zasilania i/lub wyjąć pakiet akumulatorów.** Takie działania zapobiegawcze zmniejszają ryzyko przypadkowego uruchomienia narzędzia elektrycznego.
- **Przechowywać bezczynne narzędzia elektryczne z dala od dzieci i nie pozwalać osobom nieprzeszkolonym do pracy z urządzeniami elektrycznymi na ich używanie.** Narzędzia elektryczne w rękach nieprzeszkolonych użytkowników są niebezpieczne.
- **Poddawać konserwacji narzędzia elektryczne. Sprawdzić części ruchome pod kątem niewłaściwej regulacji lub ocierania, pęknięcia części i wszystkich innych warunków mających wpływ na pracę narzędzia elektrycznego. Jeśli jest uszkodzone, należy je przed użyciem naprawić.** Do wielu wypadków dochodzi ze względu na niewłaściwą konserwację narzędzi elektrycznych.
- **Utrzymywać narzędzia do cięcia naostrzone i czyste.** Właściwie konserwowane narzędzia do cięcia z ostrymi krawędziami tnącymi są łatwiejsze do kontrolowania i nie blokują się tak często.
- **Używać narzędzia elektrycznego, akcesoriów, końcówek itp., z zachowaniem niniejszych instrukcji, biorąc pod uwagę warunki pracy i zadanie do wykonania.** Używanie narzędzia elektrycznego do zadań różnych od tych, do których narzędzie jest przeznaczone może spowodować powstanie sytuacji niebezpiecznych.

Serwis

- Serwisowanie narzędzia elektrycznego należy powierzać wykwalifikowanej osobie używającej wyłącznie identycznych części zapasowych. Dzięki temu zachowane zostanie bezpieczeństwo narzędzia elektrycznego.

Informacje dotyczące bezpieczeństwa

⚠ OSTRZEŻENIE

Ten rozdział zawiera ważne informacje dotyczące bezpieczeństwa użytkowania tego narzędzia.

Przed przystąpieniem do pracy z maszyną do gwintowania 700 Power Drive należy dokładnie zapoznać się z niniejszymi zaleceniami, aby zmniejszyć ryzyko porażenia prądem elektrycznym lub innych poważnych obrażeń.

ZACHOWAĆ WSZYSTKIE OSTRZEŻENIA I INSTRUKCJE NA PRZYSZŁOŚĆ!

Przechowywać ten podręcznik wraz z urządzeniem do użytku przez operatora.

Bezpieczeństwo związane z napędami elektrycznymi

- Należy przestrzegać instrukcji prawidłowej obsługi tego urządzenia. Przed przystąpieniem do użytkowania maszyny, przeczytać ze zrozumieniem instrukcję i ostrzeżenia dla całego użytkowanego wyposażenia i materiału. Niestosowanie do wszystkich ostrzeżeń i instrukcji może być przyczyną szkód materialnych lub poważnych obrażeń ciała..
- Podczas gwintowania rur 1" (25 mm) lub większych należy użyć elementu podpierającego do zrównoważenia sił gwintowania. Elementu podpierającego należy użyć według podanych tutaj instrukcji. Elementy podpierające zwiększają kontrolę nad urządzeniem oraz zmniejszają ryzyko uderzenia, zmiżdżenia i/ lub innych obrażeń ciała.
- W przypadku używania innego urządzenia podpierającego niż ramię podporowe, urządzenie podporowe musi opierać się o obudowę silnika. Urządzenia podpierające stykające się z innymi częściami mogą uszkadzać części maszyny lub zwiększać ryzyko urazu.
- Zawsze podczas gwintowania lub wycofywania głowicy noży z rury w celu zrównoważenia sił gwintowania należy mocno trzymać napęd elektryczny bez względu na to, czy używany jest element podpierający. Zmniejszy to ryzyko uderzenia, zmiżdżenia lub innych obrażeń.
- Nie stosować tego napędu elektrycznego, jeżeli przycisk wyłącznika jest uszkodzony. Ten przełącznik jest urządzeniem zabezpieczającym, wyłączającym silnik poprzez zwolnienie przycisku.
- Podczas obsługi maszyn nie nosić luźnej odzieży ani rękawic. Zapinać rękawy i kurtki. Nie sięgać poprzez maszynę ani rurę. Rura lub maszyna może pochwycić odzież, powodując uwięźnięcie.
- Jedna osoba musi kontrolować proces roboczy i działanie urządzenia. Gdy maszyna jest włączona, w obszarze roboczym powinien znajdować się tylko operator. Zmniejszy to ryzyko obrażeń.
- Nie używać tępych ani uszkodzonych noży. Naostrzone narzędzia tnące wymagają mniejszego momentu obrotowego i kontrola napędu elektrycznego jest łatwiejsza.
- Uchwyty utrzymywać w stanie suchym, czystym, bez olejów i smarów. Umożliwi to lepsze panowanie nad narzędziem.
- Utrzymywać podłogi suche, i wolne od śliskich materiałów, jak np. oleju. Śliskie podłogi zwiększają ryzyko wypadków.
- Stosować wyłącznie głowice nożowe RIDGID do maszyny RIDGID 700 Power Drive, inne głowice nożowe mogą nie pasować prawidłowo do napędu elektrycznego, zwiększając ryzyko uszkodzenia urządzenia i odniesienia obrażeń ciała.
- W przypadku użytkowania do zastosowań innych, niż opisane w tej instrukcji, stosować urządzenie podpierające do równoważenia sił powstających w trakcie jego obsługi. Elementy podpierające zwiększają kontrolę nad urządzeniem oraz zmniejszają ryzyko uderzenia, zmiżdżenia i/ lub innych obrażeń.

W razie jakichkolwiek pytań dotyczących tego produktu RIDGID® należy:

- Skontaktować się ze swoim lokalnym dystrybutorem RIDGID®.
- Odwiedzić stronę www.RIDGID.com w celu znalezienia lokalnego punktu kontaktowego RIDGID.
- Skontaktować się z Działem Pomocy Technicznej Ridge Tool pod adresem rttechservices@emerson.com lub w USA i Kanadzie zadzwonić na numer (800) 519-3456.

Opis, dane techniczne i wyposażenie standardowe

Opis

Napęd elektryczny RIDGID® Model 700 Power Drive jest przeznaczona do dostarczania mocy do gwintowania rury i przewodu. Można wybierać obroty postępowe i wsteczne za pomocą odwracalnego przełącznika.

Napęd elektryczny jest przeznaczony do użytku z głowicami gwinciarzskimi RIDGID 12-R (rura 1/8" – 2"). Inne głowice gwinciarzskie RIDGID, takie jak OO-R i 11-R mogą być stosowane z adapterami.

Podczas gwintowania rur o średnicy 1" cala lub większych należy użyć elementu podpierającego, takie jak ramię podporowe 775 lub kluczy rurowy do zastosowań ciężkich RIDGID 14", aby równoważyć siły gwintowania.

Napęd elektryczny może być również używany do napędzania obcinacza do rur RIDGID 258 i innych zastosowań (Zobacz „Inne zastosowania”).



Rysunek 1 – Model napędu elektrycznego 700 Power Drive

Dane techniczne

Wydajność gwintowania.....Rura 1/8" do 2" (3 do 50 mm)
 Śruba 1/4" do 1" (6 do 25 mm)
 z głowicą gwinciarzką OO-RB

Silnik:

Typ.....	Uniwersalny, odwracalny		
V.....	110	120	220-240
A.....	13,5	13,5	6,5
Częstotliwość.....	50/60 Hz	50/60 Hz	50/60 Hz
Zasilanie.....	1500	1500	1500
Prędkość robocza.....	26-30 obr./min, bez obciążenia		

Elementy sterowaniaOdwracalny łącznik dwupołożeniowy z powrotem sprężynowym do położenia WYŁ.

Głowica napędowa.....Ciśnieniowy odlew aluminiowy, przekładnia zębata czołowa z kołem zębatym koronowym, napinane sprężynowo zapadki adaptera, mechanizm wrzecionowy z utwardzanej stali.

Wymiary:

Długość.....	28 1/4" (717 mm)
Szerokość.....	6 1/16" (154 mm)
Wysokość.....	7 13/16" (198 mm)
Ciężar.....	25 funtów (11 kg)
Ciśnienie akustyczne (L _{PA})**.....	98,4 dB(A), K=3
Moc akustyczna (L _{WA})**.....	107 dB(A), K=3
Wibracje**.....	2,5 m/s ² , K=1,5

* Aby uzyskać informacje dotyczące silnika elektrycznego danej maszyny zob. numer seryjny tej maszyny – dostępne są inne wersje.

** Pomiary dźwięku i wibracji są dokonywane zgodnie ze standaryzowanymi badaniami zgodnymi z normą EN 62481-1.

- Poziomy wibracji mogą zostać użyte do porównania z innymi narzędziami oraz wstępnej oceny narażenia.

- Emisja dźwięku i wibracji może się różnić w zależności od położenia i konkretnego zastosowania narzędzi.

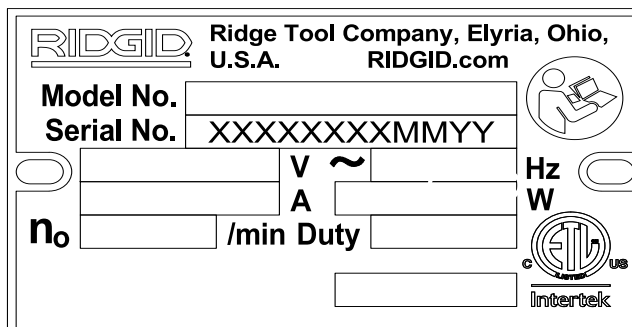
- Poziomy dziennego narażenia na dźwięk i wibracje muszą zostać oszacowane dla każdego zastosowania, a także zastosowane odpowiednie środki zapobiegawcze, jeśli zajdzie taka potrzeba. Oszacowanie poziomów narażenia powinno uwzględniać czas, gdy narzędzie jest wyłączone i nie jest w użytku. Może to drastycznie zmniejszyć poziom narażenia w całkowitym czasie pracy.

Wyposażenie standardowe

Model 700 Power Drive jest dostarczany wraz z następującymi pozycjami:

- 700 Power Drive
- Dźwążek reakcyjny
- Urządzenie podporowe
- Instrukcja obsługi

Tabliczka z numerem seryjnym maszyny 700 Power Drive znajduje się na spodzie obudowy silnika. Ostatnie 4 cyfry określają miesiąc i rok produkcji. (12 = miesiąc, 15 = rok).



Rysunek 2 – Numer seryjny maszyny

NOTATKA Za wybór odpowiednich materiałów oraz metod montażu, łączenia i formowania odpowiedzialni są projektant i/lub monter instalacji. Wybór niewłaściwych materiałów i metod może prowadzić do awarii instalacji.

Stal nierdzewna i inne odporne na korozję materiały mogą ulec zanieczyszczeniu podczas montażu, łączenia i formowania. Takie zanieczyszczenie może być przyczyną korozji i przedwczesnej awarii. Przed przystąpieniem do montażu należy przeprowadzić dokładną ocenę materiałów oraz metod dla specyficznych warunków pracy, w tym chemikaliów i temperatury.

Przeгляд przed rozpoczęciem pracy

⚠ OSTRZEŻENIE



Przed każdym użyciem należy dokonać przeglądu maszyny 700 Power Drive i usunąć wszelkie problemy, aby zmniejszyć ryzyko poważnych obrażeń ciała na skutek porażenia prądem elektrycznym, zmiążdżenia i innych przyczyn oraz zapobiec uszkodzeniu maszyny.

1. Upewnić się, że napęd jest odłączony od gniazdka zasilania.
2. Usunąć wszelkie zabrudzenia, oleje i smary z napędu i elementu podpierającego, w tym z uchwytów i elementów sterowania. Ułatwi to przegląd i sprawi, że całe narzędzie lub element sterowania nie wyślizgnie się z ręki operatora.
3. Sprawdzić napęd elektryczny pod następującymi względami:
 - Uszkodzenia lub modyfikacje przewodu i wtyczki.
 - Właściwy montaż, konserwacja i kompletność narzędzia.
 - Uszkodzone, nieustawione w osi lub ocierające się części.
 - Prawidłowość działania wyłącznika. Potwierdzić, że dokonuje przełączania w sposób gładki i bez zakleszczania.
 - Obecność i czytelność tabliczek ostrzegawczych (Rysunek 3).
 - Wszelkie inne stany, które mogą negatywnie wpłynąć na bezpieczne, normalne działanie.

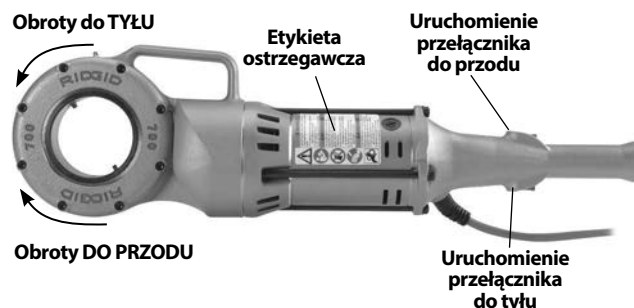
W razie stwierdzenia jakichkolwiek problemów, nie używać napędu elektrycznego ani urządzenia podporowego do chwili usunięcia usterek.

4. Sprawdzić ramię podporowe. Upewnić się, że zęby chwytakowe są czyste i w dobrym stanie. Ząb można czyścić szczotką drucianą.
5. Sprawdzić krawędzie tnące noży pod kątem zużycia, zdeformowania, wyszczerbień lub innych problemów. Stępione lub uszkodzone narzędzia do cięcia wymagają większej siły, wykonują gwinty słabszej jakości i zwiększają ryzyko obrażeń.
6. Dokonać przeglądu i konserwacji całego innego sprzętu używanego zgodnie z instrukcjami, aby upewnić się co do jego prawidłowego działania.
7. Postępując zgodnie z instrukcjami *Ustawiania i obsługi* sprawdzić napęd elektryczny pod względem prawidłowego działania.
 - Nacisnąć i zwolnić przełącznik do obrotów NAPRZÓD i powtórzyć dla obrotów WSTECZNYCH, jak pokazano na Rysunek 3. Potwierdzić, że napęd elektryczny obraca się w sposób pokazany na Rysunek 3 i że wyłącznik steruje działaniem maszyny.

Przed zmianą kierunku obrotów na przeciwny za pomocą przycisku przełącznika, odczekać do chwili całkowitego zatrzymania napędu. Zmniejszy to ryzyko uszkodzenia napędu elektrycznego.

- Nacisnąć i przytrzymać przycisk wyłącznika. Dokonać przeglądu części ruchomych pod kątem właściwego ustawienia w osi, zacinań, nietypowych odgłosów lub innych nienormalnych warunków. Zwolnić wyłącznik.

Jeżeli maszyna nie działa prawidłowo lub stwierdzi się jakiegokolwiek nienormalne stany, nie używać maszyny do chwili usunięcia usterek.



Rysunek 3 – Pozycja przełącznika kierunku obrotów

8. Zwolnić przycisk wyłącznika i suchymi rękoma wyjąć wtyk z gniazda sieciowego.

Ustawienia i obsługa

⚠ OSTRZEŻENIE



Regulację i obsługę 700 Power Drive należy przeprowadzać według podanych tu instrukcji, aby zmniejszyć ryzyko na skutek porażenia prądem elektrycznym, zaplątania, uderzenia, zmiążdżenia i innych przyczyn oraz zapobiec uszkodzeniu napędu.

Podczas gwintowania rur 1" (25 mm) lub większych należy użyć elementu podpierającego do zrównoważenia sił gwintowania. Elementu podpierającego należy użyć według podanych tutaj instrukcji. Elementy podpierające zwiększają kontrolę nad urządzeniem oraz zmniejszają ryzyko uderzenia, zmiążdżenia i/lub innych obrażeń.

Zawsze podczas gwintowania lub wycofywania głowicy gwinciarzkiej z rury, w celu zrównoważenia sił gwintowania należy mocno trzymać napęd elektryczny bez względu na to, czy używany jest element podpierający. Zmniejszy to ryzyko uderzenia, zmiążdżenia lub innych obrażeń.

Odpowiednio podeprzeć rurę. Zmniejszy to ryzyko upadku lub przechyłu rury, a przez to poważnych obrażeń.

Nie używać napędu elektrycznego bez prawidłowo działającego przycisku wyłącznika.

Podczas obsługi maszyn nie nosić rękawic ani luźnej odzieży. Zapinać rękawy i kurtki. Nie pochylać się nad urządzeniem lub rurą. Rura lub maszyna może pochwycić odzież, powodując uwięźnięcie.

Jedna osoba musi kontrolować zarówno przebieg pracy, jak i przycisk wyłącznika. Urządzenia nie powinna obsługiwać więcej niż jedna osoba. W przypadku uwięźnięcia, operator musi panować nad wyłącznikiem.

1. Sprawdzić obszar roboczy pod względem:
 - Odpowiednie oświetlenie.
 - Występowanie łatwopalnych cieczy, oparów lub pyłu mogących spowodować zapłon. Jeśli one występują, nie pracować na tym obszarze, dopóki źródła tych zanieczyszczeń nie zostaną rozpoznane i usunięte. Napędy elektryczne nie są zabezpieczone przed wzbuchem i mogą generować iskry.

- Czyste, równe, stabilne i suche miejsce dla wszystkich urządzeń i operatora.
 - Właściwa wentylacja. Nie używać nadmiernie urządzenia w małych, zamkniętych obszarach.
 - Prawidłowo podłączone gniazdo elektryczne o odpowiednim napięciu. W razie wątpliwości należy zlecić przegląd gniazdka uprawnionemu elektrykowi.
 - Przygotować ścieżkę do gniazda elektrycznego, na której nie będzie żadnych potencjalnych źródeł uszkodzeń przewodu zasilającego.
2. Sprawdzić rurę, która ma być gwintowana, oraz powiązane elementy instalacji, a następnie potwierdzić, że napęd 700 Power Drive jest właściwym narzędziem do planowanej czynności. *Patrz Dane techniczne.*

Sprzęt do innych zastosowań można znaleźć w katalogu firmy Ridge Tool, na witrynie internetowej RIDGID.com lub poprzez kontakt telefoniczny z działem serwisu firmy Ridge Tool pod numer (800) 519-3456 w USA i Kanadzie.
 3. Potwierdzić, że sprzęt przeznaczony do użycia został właściwie sprawdzony.
 4. Odpowiednio przygotować rurę według potrzeb. Upewnić się, że rura jest obciążona pod kątem prostym i oczyszczona z wiórów. Cięcie rury pod kątem może uszkodzić noże podczas gwintowania lub utrudnić osadzenie głowicy gwinciarzkiej.
 5. Upewnić się, że rura do gwintowania jest stabilna i zamocowana, aby nie doszło do przechyłu podczas pracy. Użyć odpowiednich stojaków do rury na całej jej długości.
 6. Sprawdzić poziom oleju do gwintowania RIDGID w olejarkie RIDGID 418. Zdjąć pokrywkę z wgłębieniami i upewnić się, że płytkę filtra jest czysta i całkowicie zanurzona w oleju. W razie potrzeby wymienić lub uzupełnić olej. Ustawić zbiornik olejarki 418 pod końcówką rury do gwintowania.

Zakładanie głowic gwinciarskich

1. Upewnić się, że napęd elektryczny jest odłączony od gniazda elektrycznego.
2. Wcisnąć głowicę gwinciarską 12-R lub Adapter (*zobacz Wyposażenie opcjonalne*), najpierw stroną z wielowypustem, prostopadle do maszyny Power Drive, do chwili gdy sprężynowe zapadki napędowe pewnie uchwycą wielowypust. (*Rysunek 4*). Głowica gwinciarska lub adapter mogą być wstawiane do dowolnej strony napędu elektrycznego. W niektórych przypadkach głowice gwinciarskie/adaptery mogą wymagać obrócenia, aby umożliwić zapięcie zapadek. W adapterach 770 i 773 konieczne jest zamontowanie głowicy gwinciarskiej przed ich wstawieniem do napędu Power Drive.
3. W celu wymontowania, wyciągnąć prostopadle głowicę gwinciarską z napędu. W razie potrzeby wybić głowicę młotkiem z miękką końcówką lub klockiem drewnianym. Nie wolno uderzać mocno w głowicę, ponieważ może to uszkodzić narzędzie.



Rysunek 4 – Montaż głowic gwinciarskich do napędu elektrycznego 700 Power Drive.

Równoważenie sił gwintowania (Urządzenia podpierające)

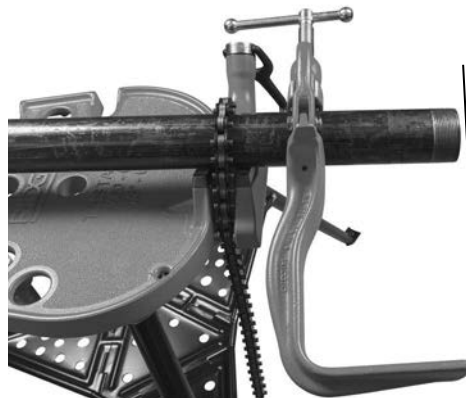
W przypadku gwintów prawostronnych głowica gwinciarska będzie obracać się w prawo (patrząc od czoła głowicy). Siły wytworzone przez moment obrotowy gwintowania będą działały w przeciwnym kierunku lub w lewo. W przypadku gwintów lewostronnych kierunek obrotu i siły będą odwrócone. Dopilnować ustawienia wspornika tak, aby pochłaniał i równoważył siłę podczas gwintowania.

Użytkowanie ramienia podporowego nr 775:

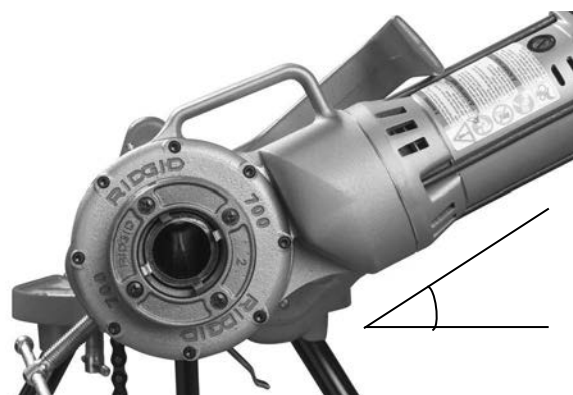
1. Hak jarmowy ramienia podporowego może być zamontowany na dowolnej ze stron. Dokręcić pewnie śrubę zawiasową.
2. Umieścić wspornik na rurze, tak aby koniec wspornika był zrównany z końcem rury, a napęd 700 Power Drive znajdował się nieco powyżej pozycji poziomej (*Rysunek 5 i 6*). Jest to prawidłowe umieszczenie wspornika

do gwintowania i zapobiega ściekaniu oleju do gwintowania w dół po napędzie mechanicznym.

3. Upewnić się, że szczęki wspornika są ustawione pod kątem prostym względem rury, i dokręcić mocno wspornik.



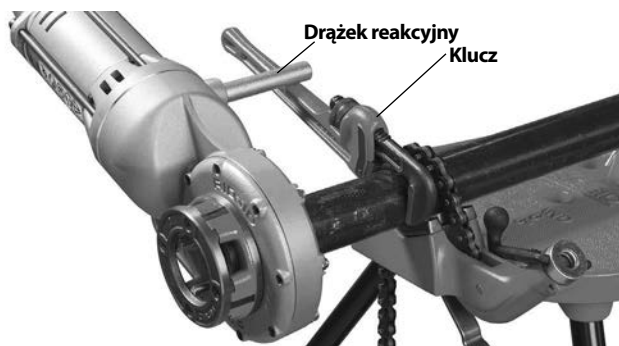
Rysunek 5 – Ramie podporowe wyrównane z końcem rury



Rysunek 6 – Ramie podporowe ustawione z napędem 700 Power Drive nieco powyżej pozycji poziomej

Stosowanie klucza rurowego RIDGID 12", 14" lub 18" do zastosowań ciężkich:

1. Zamocować pewnie drążek reakcyjny w obudowie wentylatora napędu 700 Power Drive. Można również zastosować kawałek rury o długości 5" (127 mm) 1/2" ze stali klasy 80 z gwintem 1/2" NPT.
2. Umieścić klucz do rur RIDGID 12", 14" lub 18" do zastosowań ciężkich około 7" (175 mm) od końca rury (*patrz Rysunek 7*). Wykonać próbę potwierdzającą czy klucz jest pewnie osadzony i nie spadnie ani nie poruszy się.
3. Przy rozpoczynaniu gwintowania, drążek reakcyjny osadzi się na uchwycie klucza do rur.



Rysunek 7 – Gwintowanie z użyciem klucza do rur jako ramienia podporowego.

Inne metody podpierania:

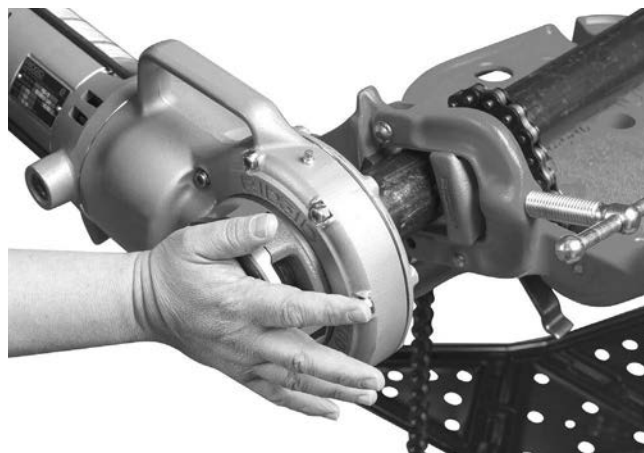
Umieścić obudowę silnika napędu elektrycznego (patrz Rysunek 1) naprzeciw sąsiadującego członu konstrukcyjnego (przykłady obejmują ściany, belki i dwuteowniki). Wymaga to, aby gwintowana rura i elementy otaczające były w stanie utrzymać ciężar narzędzia i sił gwintowania. Może okazać się konieczne dodanie prowizorycznych lub stałych wsporników rury lub elementów konstrukcyjnych, by prawidłowo równoważyć siły gwintowania.

Dla rury o średnicy 3/4" i mniejszej:

Rurę o średnicy nominalnej do 3/4" cala można gwintować bez konieczności użycia urządzenia podporowego. W takim wypadku operator własnym ciężarem równoważy siły gwintowania. Rura musi być prawidłowo zabezpieczona, aby się nie obracała. Zawsze podczas gwintowania lub wycofywania głowicy gwinciarzkiej z rury należy w celu zrównoważenia działających sił mocno trzymać napęd elektryczny. Zmniejszy to ryzyko uderzenia, zmiżdżenia lub innych obrażeń.

Gwintowanie

1. Suchymi rękoma podłączyć wtyczkę do gniazdka zasilającego.
2. Ustawić głowicę gwinciarzską nad końcówką rury i podeprzeć napęd elektryczny jak wskazano w sekcji Równoważenie sił gwintowania. Zawsze utrzymywać napęd elektryczny na urządzeniu podpierającym. Nie wkładać niczego pomiędzy napęd elektryczny i urządzenia podpierające – zwiększa to ryzyko odniesienia urazu na skutek zaciskania i zmiżdżenia.
3. Przyjąć właściwą pozycję roboczą, aby utrzymywać kontrolę nad maszyną (Patrz Rysunek 9).
 - Upewnić się, że utrzymuje się równowagę i nie ma konieczności sięgania zbyt daleko.
 - Upewnić się, że można kontrolować przycisk wyłącznika i maszynę. Nie naciskać jeszcze wyłącznika. W nagłym przypadku musi istnieć możliwość zwolnienia wyłącznika.



Rysunek 8 – Rozpoczynanie gwintu

4. Jednocześnie nacisnąć przycisk wyłącznika (patrz Rysunek 3) a dłonią wolnej ręki docisnąć pokrywę głowicy gwinciarzkiej, aby rozpocząć gwintowanie (Rysunek 8). Przy dociskaniu pokrywy nie nosić rękawic, biżuterii ani używać szmatki - może to zwiększyć ryzyko zaplątania i obrażeń. Kiedy noże pochwyć rurę, gwint będzie wycinany w wyniku wzajemnego ciągnięcia noży na końcówce rury.

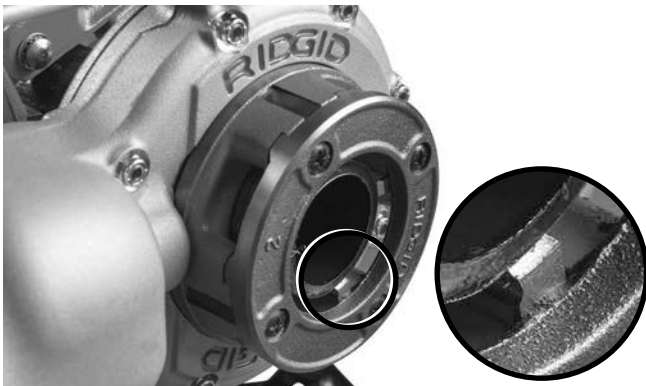
Zawsze mocno trzymać uchwyt napędu elektrycznego, aby zrównoważyć siły działające na uchwyt. Elementy wspornikowe mogą wysliznąć się i spowodować przesunięcie napędu elektrycznego. Wyłącznik można zwolnić w każdym momencie w celu wyłączenia napędu elektrycznego.

5. Zaprzestać dociskania pokrywy, a następnie za pomocą olejarzki nałożyć obfitą ilość oleju do gwintowania RIDGID na obszar gwintowania. Obniży to moment obrotowy gwintowania, poprawi jakość gwintu i zwiększy żywotność noży.



Rysunek 9 – Gwintowanie rury

6. Trzymać wyłącznik wciśnięty do chwili, gdy koniec rury nie zrówna się z krawędzią noży (Rysunek 10). Obserwować pracę, aby dopilnować by napęd Power Drive nie zagłębił się w urządzenie podporowe. Zwolnić przycisk wyłącznika. Pozostawić napęd, aż całkowicie się zatrzyma.



Rysunek 10 – Koniec rury wyrównany z krawędzią noży

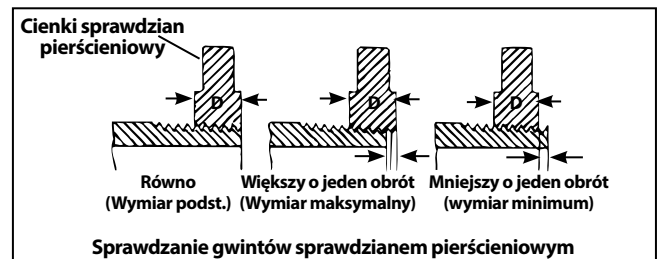
7. Uruchomić przycisk wyłącznika we wstecznym kierunku, aby odkręcić głowicę gwinciariską z nagwintowanej rury. Trzymać mocno uchwyt napędu elektrycznego

w celu zrównoważenia sił działających na uchwyt podczas łamania wióra z gwintu i wycofywania głowicy.

8. Zwolnić wyłącznik i zdjąć napęd i głowicę gwinciariską z rury.
9. Suchymi rękoma odłączyć wtyczkę napędu z gniazdka zasilającego.
10. Wytrzeć olej i skrawki z gwintu oraz głowicy gwinciariskiej, uważając, aby nie skaleczyć się o ostre krawędzie i skrawki. Usunąć plamy oleju z obszaru roboczego.

Sprawdzanie gwintów

1. Usunąć z gwintu olej, wióry i pozostałości.
2. Dokonać przeglądu wzrokowego gwintu. Gwint powinien być gładki, wykończony i niezdeformowany. Takie problemy, jak rozdieranie gwintów, cienki gwint lub niesymetryczność rury, mogą sprawić, że gotowy gwint nie będzie szczelny. Informacje dotyczące diagnozowania tych problemów mogą zostać znalezione w Tabeli "Rozwiązywanie problemów".
3. Sprawdzić wymiar gwintu. Preferowaną metodą sprawdzania wymiaru gwintu jest pomiar za pomocą sprawdzianu pierścieniowego. Istnieją różne rodzaje sprawdzianów pierścieniowych, a sposób ich użycia może różnić się od pokazanego na Rysunek 11.
 - Nakręcić sprawdzian pierścieniowy na gwint ręką do oporu.
 - Sprawdzić, na ile końcówka rury wystaje przez sprawdzian pierścieniowy. Kończówka rury powinna zrównać się z bokiem sprawdzianu z tolerancją puls minus jednego obrotu. Jeśli pomiar gwintu sprawdzianem nie jest prawidłowy, odciąć gwint, ustawić głowicę i wyciąć nowy gwint. Gwint o nieprawidłowym pomiarze sprawdzianem może przeciekać.



Rysunek 11 – Sprawdzanie wymiaru gwintu

- Jeśli sprawdzian pierścieniowy do sprawdzenia wymiaru gwintu nie jest dostępny, można użyć nowego czystego elementu instalacji, odpowiadającego przrządowi używanego do sprawdzania wymiaru gwintu. W przypadku gwintów 2 cale i mniejszych niż NPT należy je tak wyciąć, aby uzyskać szczelne trzymanie z elementem instalacji po 4 do 5 obrotach dokręcania ręką, w przypadku gwintów poniżej BSPT są to 3 obroty.

700 Power Drive – Inne zastosowania

Instrukcja zawiera specjalne wskazówki dotyczące stosowania napędu 700 Power Drive do gwintowania z użyciem różnych głowic gwinciarских RIDGID. W przypadku stosowania z innym wyposażeniem RIDGID (takim jak zmechanizowany ucinak do rur RIDGID 258/258XL) postępować zgodnie z instrukcjami i ostrzeżeniami dostarczonymi wraz z tym urządzeniem RIDGID, dotyczącymi właściwego ustawiania i użytkowania.

Ridge Tool nie może dostarczyć specjalnych instrukcji dla każdego możliwego zastosowania napędu 700 Power Drive. Użytkownik musi dokonać oceny określonego scenariusza pracy i zastosować dobre sposoby i metody postępowania. Jeżeli istnieje jakakolwiek wątpliwość dotycząca użycia napędu 700 Power Drive do tych lub innych celów, to nie należy go używać.

W przypadku stosowania napędu 700 Power Drive do innych celów, starannie ocenić i przygotować się do pracy, korzystając z ogólnych wskazówek podanych poniżej. Napęd 700 Power Drive będzie dostarczał wysoki moment obrotowy i odpowiednio wysokie siły na uchwycie, które mogą spowodować urazy w wyniku uderzenia i zmiżdżenia.

- Adapter napędowy kwadratowy RIDGID 774 można wykorzystać do przystosowania napędu 700 Power Drive do obracania kwadratu $1\frac{5}{16}$ ". Zamocować pewnie adapter, aby nie dopuścić do jego odłączenia się w trakcie użytkowania.
- Konieczne jest opracowanie odpowiedniej metody równoważenia wszystkich sił wywieranych przez uchwyt (patrz część "Równoważenie sił wywieranych na uchwycie"). Siły te mogą przekraczać 1000 funtów (455 kg). Urządzenia podpierające można opierać o obudowę silnika lub obudowę wentylatora napędu 700 Power Drive (Rysunek 1).
- Zawsze opierać napęd elektryczny na urządzeniu podporowym – nie umieszczać części ciała pomiędzy napędem elektrycznym, a urządzeniem podporowym.
- Pomiędzy napędem elektrycznym, a urządzeniem podporowym nie powinny występować w trakcie użytkowania żadne ruchy względne.
- Potwierdzić że aplikacja (taka jak uruchamianie lub wykorzystywanie zaworu) może swobodnie się obracać, nie ulega zakleszczaniu i że znane są końce przesuwu. Jeżeli układ zakleszcza się lub zespała się w trakcie użycia, siły działające na uchwycie gwałtownie i znacznie się zwiększą, albo napęd elektryczny może zacząć się obracać.

- W przypadku użycia do uruchamiania lub obsługi zaworów lub innego sprzętu, postępować zgodnie ze wszystkimi instrukcjami producenta. Nie przeciążać urządzenia.
- Użytkować napęd 700 Power Drive tak, aby siła reakcji powodowała odciążanie go od użytkownika.
- Zwalniać przycisk wyłącznika w dowolnej chwili, aby wyłączyć napęd elektryczny. Upewnić się, że jest się w stanie zwolnić przycisk wyłącznika.

Instrukcje konserwacji

⚠ OSTRZEŻENIE

Przed przystąpieniem do wykonywania jakichkolwiek prac konserwacyjnych upewnić się, że przycisk wyłącznika jest zwolniony, a wtyk maszyny jest wyjęty z gniazda zasilania elektrycznego.

Urządzenie należy konserwować według tych procedur, aby zmniejszyć ryzyko obrażeń na skutek porażenia prądem elektrycznym, zapłątania i innych przyczyn.

Czyszczenie

1. Po każdym użyciu należy usunąć wióry z gwintowania z tacki na wióry olejarki 418 i wytrzeć wszystkie pozostałości oleju.
2. Usunąć wszelkie zabrudzenia, oleje i smary z napędu elektrycznego, w tym z uchwytów i elementów sterowania.
3. Wytrzeć cały olej, smar i brud ze wspornika. W razie potrzeby oczyścić szczęki wspornika szczotką drucianą.
4. Usunąć wióry i brud z noży głowicy.

Smarowanie

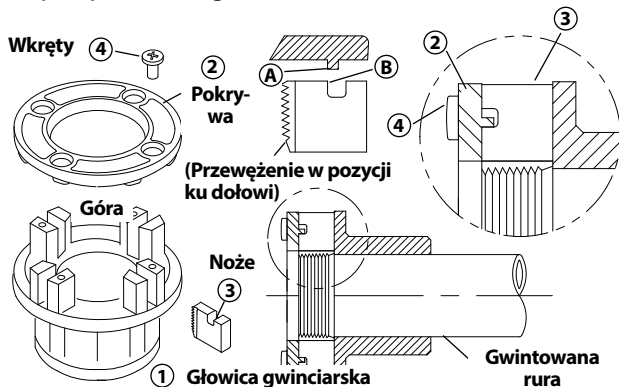
Stosować smarownicę, aby uzupełniać smarem litowym EP (Extreme Pressure) poprzez otwory smarowe zapewnione na obudowie przekładni (patrz Rysunek 1) co 3 do 6 miesięcy, zależnie od intensywności użytkowania maszyny.

Wymiana noży w głowicach 12-R

Do montażu w głowicach gwinciarских RIDGID 12-R dostępnych jest wiele noży. *Informacje na ten temat podane są w katalogu.*

1. Wymontować cztery wkręty (4), płytę pokrywy (2) i noże (3) z głowicy gwinciarskiej.
2. Wstawić nowe noże do szczelin, numerowanymi krawędziami (1,2,3,4) w górę. Numery na nożach muszą odpowiadać numerom na gniazdach noży w głowicy. Wymieniać zawsze cały zestaw.

- Zamontować płytę pokrywy (2) i wkręty (4) i lekko dokręcić wkręty.
- Wkręcić gwintowaną rurę do noży, do momentu gdy rozpoczną one gwintowanie. Wymusza to zatrzymanie się noży "B" naprzeciwko wypustu "A" na pokrywie i ustawienie właściwego wymiaru.
- Dokręcić mocno cztery śruby. Wyjąć gwintowaną rurę i przeprowadzić gwintowanie testowe.



Rysunek 12 – Zakładanie noży do głowicy gwinciarskiej

Wymiana szczotek silnika

Szczotki silnika sprawdzać co 6 miesięcy. Wymienić je, kiedy się zużyją na wymiar poniżej ¼ cala (6 mm).



Rysunek 13 – Montaż szczotek

- Odłączyć urządzenie od gniazdka zasilającego.
- Wykręcić zatyczki szczotek. Wyjąć i sprawdzić szczotki. Wymienić je, kiedy się zużyją na wymiar poniżej ¼ cala (6 mm). Sprawdzić zużycie komutatora. W razie nadmiernego zużycia oddać narzędzie do serwisu.
- Założyć z powrotem szczotki/założyć nowe szczotki.
- Pozostawić urządzenie na biegu jałowym przez 15 minut w kierunku do przodu, a następnie przez 15 minut w kierunku do tyłu, aby szczotki osadziły się na komutatorze przez ponownym użytkowaniem urządzenia.

Wyposażenie opcjonalne

⚠ OSTRZEŻENIE

Aby zmniejszyć ryzyko poważnych obrażeń, należy używać wyposażenia przeznaczonego i zalecanego dla napędu 700 Power Drive, podanego poniżej.

Nr katalog.	Opis
42600	770 Adapter do 00-R (1/8" – 1") i 00-RB (1/4" – 1")
42605	771 Adapter do 0-R (1/8" – 1")
42610	772 Adapter do 11-R (1/8" – 1 1/4")
42615	773 Adapter do 111-R (1/8" – 1 1/4")
42620	774 Adapter napędowy kwadrta -15/16"
42625	Wspornik 775
46615	Drążek reakcyjny
42950	B-171-X Metalowa kasetka do przenoszenia
10883	418 Oliwiarka z 1 galonem oleju obróbkowego Premium do gwintowania
41620	Smar do przekładni silnika

Dalsze informacje o wyposażeniu dostępnym do napędu 700 Power Drive, właściwym dla tego narzędzia, można znaleźć w katalogu RIDGID i online na stronie RIDGID.com.

Przechowywanie maszyny

⚠ OSTRZEŻENIE Napęd 700 Power Drive należy przechowywać w pomieszczeniach lub dobrze okryte w razie deszczu. Przechowywać maszynę w zamkniętym pomieszczeniu poza zasięgiem dzieci i osób nie zaznajomionych z maszynami. Ta maszyna może spowodować poważne obrażenia w rękach nieprzeszkolonych użytkowników.

Serwis i naprawa

⚠ OSTRZEŻENIE

Nieprawidłowe serwisowanie i naprawa mogą spowodować, że maszyna będzie niebezpieczna w obsłudze.

Instrukcje konserwacji wyczerpują większość sytuacji serwisowania tego urządzenia. Rozwiązanie wszelkich problemów, które nie zostały tutaj ujęte, należy powierzyć autoryzowanemu serwisantowi firmy RIDGID.

Narzędzie należy przekazać do niezależnego centrum serwisowego firmy RIDGID lub odesłać do producenta. Stosować wyłącznie części serwisowe RIDGID.

Aby uzyskać informacje na temat najbliższego niezależnego centrum serwisowego RIDGID lub wszelkich kwestii dotyczących serwisowania lub naprawy, należy:

- Skontaktować się z lokalnym dystrybutorem firmy RIDGID.

- Odwiedzić stronę www.RIDGID.com w celu znalezienia lokalnego punktu kontaktowego RIDGID.
- Skontaktować się z Działem Pomocy Technicznej firmy Ridge Tool po adresem rttechservices@emerson.com lub w USA i Kanadzie zadzwonić na numer (800) 519-3456.

Informacje dotyczące oleju do gwintowania

Przeczytać i przestrzegać wszystkich instrukcji na etykiecie oleju do gwintowania i karcie charakterystyki materiału (SDS). Informacje szczegółowe o olejach do gwintowania RIDGID, w tym identyfikacja zagrożeń, środki pierwszej pomocy, postępowanie w przypadku pożaru, postępowanie w przypadku niezamierzonego uwolnienia do środowiska, postępowanie z substancją oraz jej magazynowanie, środki ochrony indywidualnej, postępowanie z odpadami i transport podane są na pojemniku i w karcie SDS. Karty MSDS dostępne są na witrynie internetowej RIDGID.com lub poprzez kontakt z Działem Pomocy Technicznej pod numer (800) 519-3456 w USA i Kanadzie lub pocztą elektroniczną na adres rttechservices@emerson.com.

Utylizacja

Części napędu 700 Power Drive zawierają cenne materiały, które można poddać recyklingowi. Lokalnie można znaleźć firmy specjalizujące się w recyklingu. Zutyliżować wszystkie części zgodnie z wszystkimi stosownymi przepisami. W celu uzyskania dalszych informacji należy skontaktować się z lokalnymi władzami odpowiedzialnymi za gospodarkę odpadami.



Kraje WE: Nie utylizować urządzeń wraz z odpadami z gospodarstwa domowego!

Zgodnie z dyrektywą europejską 2012/19/EU dla zużytego sprzętu elektrycznego i elektronicznego, oraz jej wdrożeniem do prawodawstwa państwowego, urządzenia elektryczne, które nie są już używane, muszą być odbierane oddzielnie i utylizowane w sposób przyjazny dla środowiska.

Rozwiązywanie problemów

PROBLEM	MOŻLIWE PRZYCZYNY	ROZWIĄZANIE
Maszyna nie pracuje.	Szczotki nie stykają się z twornikiem.	Sprawdzić szczotki, wymienić w razie zużycia.
Maszyna nie gwintuje.	Tępe noże.	Wymienić noże.
	Przeciążenie na skutek rozdartych lub nieokrągłych gwintów.	Patrz niżej możliwe przyczyny.
	Słaba jakość lub niedostateczna ilość oleju do gwintowania.	Użyć oleju do gwintowania RIDGID w odpowiedniej ilości.
	Zbyt niskie napięcie sieciowe.	Sprawdzić napięcie sieci zasilającej.
Cienkie gwinty.	Niedostateczny styk między szczotkami i komutatorem.	Dokręcić zatyczki szczotek, aby zapewnić ścisłe docięnięcie szczotek do komutatora.
	Szczotki nie stykają się odpowiednio z komutatorem.	Wymienić zużyte szczotki i/lub twornik.
	Szczotki od różnych producentów.	Używać wyłącznie szczotek firmy RIDGID.
	Nowe szczotki.	Osadzić szczotki poprzez uruchomienie urządzenia w przebiegu jałowym przez 15 minut w kierunku do przodu i do tyłu.

Rozwiązywanie problemów (c. d.)

<p>Głowica gwinciarska nie rozpoczyna gwintowania.</p>	<p>Głowica nie jest ustawiona idealnie prostopadle do końcówki rury.</p> <p>Siła chwytająca nie jest odpowiednio przyłożona do głowicy.</p> <p>Rura nie jest ucięta pod kątem prostym.</p> <p>Tępe lub uszkodzone noże.</p> <p>Maszyna działa w złym kierunku.</p> <p>Noże ustawione nieodpowiednio w głowicy gwinciarskiej.</p>	<p>Docisnąć płytkę pokrywy głowicy, aby zacząć gwintowanie.</p> <p>Przyłożyć siłę chwytającą wzdłuż osi rury.</p> <p>Uciąć rurę pod kątem prostym.</p> <p>Wymienić noże.</p> <p>Uruchomić maszynę w prawidłowym kierunku.</p> <p>Upewnić się, że noże ustawione są na zewnątrz do wypustów płytki pokrywy.</p>
<p>Rozerwane gwinty.</p>	<p>Uszkodzone, wyszczerbione lub zużyte noże.</p> <p>Słaba jakość lub niedostateczna ilość oleju do gwintowania.</p> <p>Niedopowiedni dla materiału typ noża.</p> <p>Słaba jakość lub materiał rury.</p>	<p>Wymienić noże.</p> <p>Użyć wyłącznie oleju do gwintowania RIDGID w odpowiedniej ilości.</p> <p>Wybrać noże szybko tnące ze stali nierdzewnej lub aluminium, które są odpowiednie do zastosowania.</p> <p>Użyć rury lepszej jakości.</p>
<p>Nieokrągłe lub skrzszone gwinty.</p>	<p>Ścianki rury są zbyt cienkie.</p>	<p>Użyć rur klasy 40 lub większej grubości ścianki.</p>
<p>Wspornik obraca się podczas gwintowania.</p>	<p>Szczęki wspornika są zabrudzone.</p> <p>Wspornik nie jest prawidłowo ustawiony.</p> <p>Wspornik nie przylega ściśle.</p>	<p>Oczyścić szczotką drucianą.</p> <p>Ustawić wspornik idealnie prostopadle względem rury.</p> <p>Dokręcić śrubę pociągową.</p>
<p>Cienkie gwinty.</p>	<p>Noże nie układają się w odpowiedniej kolejności.</p>	<p>Ustawić noże w odpowiednich gniazdach głowicy.</p>

Elektrická závitnice

700



⚠ VÝSTRAHA!

Před používáním tohoto nástroje si pečlivě přečtěte tento návod k obsluze. Nepochopení a nedodržení obsahu tohoto návodu může vést k úrazu elektrickým proudem, vzniku požáru nebo k závažné újmě na zdraví.

700 Elektrická závitnice

Zaznamenejte si níže uvedené sériové číslo a zapamatujte si sériové číslo výrobku, které je uvedeno na továrním štítku.

Výrobní
č.

--	--

Obsah

Záznamový formulář sériového čísla stroje	179
Bezpečnostní symboly	181
Všeobecné bezpečnostní výstrahy týkající se elektrického nářadí	181
Bezpečnost na pracovišti.....	181
Elektrobezpečnost	181
Osobní bezpečnost.....	182
Používání a údržba elektrického nářadí	182
Servis.....	182
Specifické informace o bezpečnosti	183
Bezpečnost elektrické závitnice	183
Popis, technické údaje a standardní vybavení	183
Popis.....	183
Specifikace.....	184
Standardní vybavení	184
Kontrola před zahájením práce	184
Nastavení a provoz	185
Montáž závitorezných hlav	186
Snížení závitorezných sil	186
Řezání závitů	187
Kontrola závitů	189
Elektrická závitnice 700 – Jiná použití	189
Návod k údržbě	190
Čištění.....	190
Mazání	190
Výměna řezných matic u závitorezných hlav 12-R.....	190
Výměna kartáčů v motoru.....	190
Volitelné vybavení	191
Uskladnění nástroje	191
Servis a opravy	191
Informace o závitorezném oleji	191
Likvidace	191
Řešení problémů	192
Prohlášení o shodě ES	Na vnitřku zadní strany obálky
Záruka po dobu životnosti	Zadní strana obálky

*Překlad původního návodu k používání

Bezpečnostní symboly

V tomto návodu k obsluze a na výrobku jsou použity bezpečnostní symboly a signální slova, která sdělují důležité informace týkající se bezpečnosti. Úlohou tohoto oddílu je snaha o lepší porozumění těmto signálním slovům a symbolům.



Toto je výstražný bezpečnostní symbol. Je používán pro to, aby vás upozornil na možné nebezpečí poranění osob. Dodržujte všech-
na upozornění týkající se bezpečnosti, na která tento symbol upozorňuje, abyste se vyvarovali možného poranění nebo usmrcení.

⚠ NEBEZPEČÍ

NEBEZPEČÍ označuje nebezpečnou situaci, která - kdyby nastala - by mohla mít za následek smrt nebo vážný úraz.

⚠ VÝSTRAHA

VÝSTRAHA označuje nebezpečnou situaci, následkem které může dojít k usmrcení nebo vážnému zranění, pokud se jí nevyvarujete.

⚠ OPATRNĚ

OPATRNĚ označuje nebezpečnou situaci, která - kdyby nastala - by mohla mít za následek menší nebo lehký úraz.

POZNÁMKA

POZNÁMKA označuje informaci, která se vztahuje k ochraně majetku.



Tento symbol znamená, že si před prací s tímto zařízením musíte pečlivě pročíst návod k obsluze. Návod k použití obsahuje důležité informace o bezpečné a správné obsluze zařízení.



Tento symbol znamená, že musíte používat ochranné brýle s bočnicemi nebo bezpečnostní brýle typu lyžařských brýlí pro snížení rizika úrazu očí vždy, když s tímto náčiním zacházíte nebo pracujete.



Tento symbol znamená, že může dojít k zachycení prstů, rukou, oblečení nebo jiných předmětů převody či jinými rotujícími částmi a následným zraněním rozdrcením.



Tento symbol značí nebezpečí zasažení elektrickým proudem.



Tento symbol znamená, že zde existuje riziko převrnutí nástroje, které může způsobit zranění nárazem nebo rozdrcením.



Tento symbol znamená, že při obsluze tohoto stroje není vhodné používat rukavice, aby se snížilo riziko zachycení strojem.



Tento symbol značí, že je vždy nutné použít podpěrná zařízení ke snížení závitorežných sil, zlepšení ovládání a snížení rizika zranění.

Všeobecné bezpečnostní výstrahy týkající se elektrického nářadí*

⚠ VÝSTRAHA

Přečtěte si všechny pokyny a ujistěte se, že jim rozumíte. Nedodržení všech níže uvedených pokynů může mít za následek úraz elektrickým proudem, vznik požáru nebo závažnou újmu na zdraví.

VŠECHNA VAROVÁNÍ A POKYNY UCHOVEJTE PRO PŘÍŠTÍ POUŽITÍ!

Termín "elektrické nářadí" v části varování uvádí hlavní část elektrického nářadí (připojené kabelem) nebo dobíjený baterií (bezdrátový).

Bezpečnost na pracovišti

- **Pracoviště udržujte čisté a dobře osvětlené.** Temná pracoviště nebo pracoviště plná nepořádku jsou zdrojem nehod.
- **S elektrickým nářadím nepracujte ve výbušném prostředí způsobeném přítomností lehce zápalných kapalin, plynů nebo prachu.** Elektrické nářadí jiskří a jiskry mohou zapálit prach nebo výpary.

- **Při práci s elektrickým nářadím se nablízku nesmí nacházet děti a kolemstojící.** Rozptylování může vést ke ztrátě pozornosti.

Elektrobezpečnost

- **Zásuvky přívodu elektrického proudu musí být vhodné pro zástrčky elektrického nářadí. Nikdy zástrčku žádným způsobem neupravujte. Zástrčky adaptérů nepoužívejte s uzemněným (ukostřeným) elektrickým nářadím. Uzemněné nástroje musí být zapojené do zásuvky, která je řádně namontovaná v souladu se všemi předpisy a normami. Nikdy neodstraňujte zemnicí kolík a zástrčku nijak neupravujte. V případě pochybností nechte kvalifikovaným elektroinstalatérem zkontrolovat, zda je zásuvka řádně uzemněna. Neupravené zástrčky a vhodné zásuvky snižují riziko úrazu elektrickým proudem.**
- **Vyhýbejte se tělesnému kontaktu s uzemněnými nebo ukostřenými povrchy, jako jsou potrubí, radiátory, kuchyňské sporáky a lednice.** Pokud je vaše tělo ve styku s uzemněním nebo ukostřením, existuje zde zvýšené riziko zásahu elektrickým proudem.
- **Elektrické nářadí nevystavujte dešti nebo vlhkému prostředí.** Voda, která vnikne do elektrického nářadí, zvyšuje riziko zasažení elektrickým proudem.

* Znění části „Všeobecné bezpečnostní výstrahy týkající se elektrického nářadí“ tohoto návodu je doslovně shodné se zněním uvedeným v příslušné normě UL/CSA/EN 62841-1. Tato část obsahuje všeobecné bezpečnostní pokyny pro mnoho různých druhů elektrického nářadí. Ne každé preventivní opatření je vhodné pro všechno nářadí a některá nejsou vhodná pro toto nářadí.

- **S kabelem nezacházejte hrubě. Nikdy kabel nepoužívejte k přenášení nástroje nebo k vytahování zástrčky ze zásuvky. Kabel chraňte před horkem, olejem, ostrými hranami nebo pohybujícími se částmi. Poškozené kabely okamžitě vyměňte.** Poškozené kabely zvyšují nebezpečí úrazu elektrickým proudem.
- **Při venkovní obsluze elektrického nářadí použijte venkovní prodlužovací kabel označený „W-A“ nebo „W“.** Tyto kabely jsou určeny pro venkovní použití a snižují riziko úrazu elektrickým proudem.
- **Při práci s elektrickým nářadím ve vlhkém místě musíte nevyhnutelně používat přívod elektrického proudu chráněný přerušovačem zemního poruchového okruhu (GFCI).** Použití proudového chrániče snižuje riziko úrazu elektrickým proudem.

Osobní bezpečnost

- **Budte ostražití, věnujte pozornost prováděným činnostem a při práci s elektrickým nářadím používejte zdravý rozum. Nepoužívejte elektrické nářadí, pokud jste unaveni nebo pod vlivem drog, alkoholu či léků.** Chvilce nepozornosti při práci s elektrickým nářadím může vést k vážnému osobnímu zranění.
- **Používejte osobní ochranné pomůcky. Vždy noste ochranu očí.** Ochranné pomůcky, jako protiprachová maska, neklouzavá bezpečnostní obuv, ochranná přilba nebo ochrana sluchu, používané v příslušných podmínkách, snižují počet osobních zranění.
- **Zabraňte neúmyslnému spuštění nářadí. Než nářadí připojíte ke zdroji napájení nebo k bateriovému modulu a než budete nářadí zvedat nebo přenášet, zkontrolujte, zda je spínač ve VYPNUTÉ poloze.** Přenášením nářadí s prstem na spínači nebo připojováním elektrického nářadí ke zdroji proudu při ZAPNUTÉM spínači riskujete úraz.
- **Odstraňte jakýkoliv seřizovací či imbusový klíč, předtím než přístroj ZAPNETE.** Klíč, který zůstane připevněn k rotující části stroje, může mít za následek zranění osob.
- **Nezacházejte příliš daleko. Vždy se správně postavte a udržujte rovnováhu.** To vám umožní lepší ovládnutí elektrického nářadí v nečekaných situacích.
- **Správně se oblékejte. Nenoste volný oděv nebo přívěsky. Chraňte vlasy a oděv před přiblížením k částem, které se otáčejí.** Volný oděv, přívěsky nebo dlouhé vlasy mohou být otáčejícími se součástmi zachyceny.
- **Pokud jsou součástí zařízení pro připojení k zachycení prachu a pro další sběr, ujistěte se, že jsou připojeny a používány správně.** Použití zařízení na zachycování prachu může snížit rizika spojená s prachem.

Používání a údržba elektrického nářadí

- **Elektrické nářadí nepřetěžujte. Pro práci používejte správný druh elektrického nářadí.** Se správným elektrickým nářadím provedete práci lépe, bezpečněji a způsobem, pro jaký bylo zkonstruováno.
- **Nepoužívejte elektrický nástroj, pokud ho nelze vypínačem ZAPNOUT a VYPNOUT.** Každé elektrické nářadí, které nelze ovládat spínačem, je nebezpečné a musí být opraveno.
- **Před seřizováním, výměnou příslušenství nebo uložením odpojte zástrčku elektrického nářadí od zdroje napájení nebo bateriového modulu.** Tato preventivní bezpečnostní opatření snižují riziko náhodného spuštění elektrického nářadí.
- **Elektrické nástroje, s kterým nepracujete, ukládejte z dosahu dětí a nedovolte pracovat s elektrickými nástroji osobám, které s nimi nebo s tímto návodem nejsou obeznámeny.** Elektrické nářadí je v rukách neproškolených uživatelů nebezpečné.
- **Provádějte údržbu elektrického nářadí. Zkontrolujte souost a spojení pohyblivých částí, zda součásti nejsou popraskané nebo nevykazují nějaký jiný stav, který může ovlivnit funkci elektrického nářadí. Pokud je poškozené, nechte elektrické nářadí před použitím opravit.** Mnoho úrazů je zapříčiněno špatně udržovaným elektrickým nářadím.
- **Řezné nástroje udržujte ostré a čisté.** Řádně udržované řezné nástroje s ostrými břity jsou méně náchylné k zadření a jdou snadněji ovládat.
- **Elektrické nářadí, příslušenství a nástroje k nářadí atd. používejte v souladu s tímto návodem a berte v úvahu pracovní podmínky a vykonávanou práci.** Používání elektrického nářadí na práce, pro které není určeno, by mohlo zavinit nebezpečnou situaci.

Servis

- **Servis elektrického nářadí si nechte provést kvalifikovaným opravářem, který použije pouze shodné náhradní díly.** To zaručí, že bezpečnost elektrického nářadí zůstane zachována.

Specifické informace o bezpečnosti

▲ VÝSTRAHA

Tento odstavec obsahuje důležité bezpečnostní informace specifické pro tento nástroj.

Pečlivě si tato bezpečnostní opatření přečtěte dříve, než začnete elektrickou závitnicí 700 používat, abyste snížili riziko úrazu elektrickým proudem, zasažení, rozdrčení nebo jiného vážného osobního poranění.

VŠECHNA VAROVÁNÍ A POKYNY UCHOVEJTE PRO PŘÍŠTÍ POUŽITÍ!

Tento návod mějte uložen u zařízení, aby ho měla obsluha po ruce.

Bezpečnost elektrické závitnice

- Řiďte se pokyny ohledně řádného používání tohoto nástroje. Před použitím elektrické závitnice se seznáme se všemi varováními pro veškeré vybavení, které budete používat, a ujistěte, že jim rozumíte. Nedodržování všech těchto pokynů a varování může mít za následek škody na majetku nebo vážná zranění osob.
- Při řezání závitu na 1" (25 mm) nebo větší trubce použijte podpěrné zařízení, abyste snížili závitorezné síly. Použijte vhodné podpěrné zařízení dle těchto pokynů. Podpěrná zařízení zlepšují kontrolu a snižují riziko zásahu, rozdrčení či dalších poranění.
- Pokud používáte jiné podpěrné zařízení než dodané opěrné rameno, musí být toto podpěrné zařízení zapřeno proti skříni motoru. Podpěrná zařízení dotýkající se jiných částí nástroje mohou tyto části poškodit nebo zvýšit riziko úrazu.
- Při řezání závitů nebo zpětném vytáčení závitorezné hlavy z trubky držte elektrickou závitnicí vždy pevně, abyste snížili závitorezné síly, bez ohledu na používané podpěrné zařízení. Snížíte tak riziko zasažení, rozdrčení či jiných zranění.
- Tuto elektrickou závitnicí nepoužívejte, pokud je hlavní spínač rozbitý. Tento spínač slouží jako bezpečnostní zařízení, které vám umožňuje jeho uvolněním vypnout motor.
- Při obsluze strojů nenoste rukavice nebo volné oblečení. Rukávy a bundy mějte vždy zapnuté. Nenaclánějte se přes stroj či trubku. Oblečení se může na trubce či ve stroji zachytit a zamotat se.

- Jedna osoba musí kontrolovat pracovní činnost a provoz nástroje. V místě výkonu práce by během provozu nástroje měla být přítomna pouze obsluha. Snížíte tak riziko zranění osob.
- Nepoužívejte tupé nebo poškozené řezné matrice. Ostří řezné nástroje vyžadují menší točivý moment, a elektrická závitnice se tak snadněji ovládá.
- Držadla udržujte suchá, čistá a zbavená oleje a mastnoty. Zajistíte tak lepší ovládání nástroje.
- Podlahy udržujte suché a prosté kluzkých látek, jako jsou např. oleje. Kluzké podlahy zvyšují riziko nehod.
- S elektrickou závitnicí 700 používejte pouze závitorezné hlavy RIDGID, jelikož ostatní závitorezné hlavy nemusí jít v elektrické závitnici správně uchytit, čímž zvyšují riziko poškození zařízení nebo úrazu osob.
- Při použití k jiným účelům, než které jsou uvedeny v této příručce, použijte podpěrná zařízení k redukci vzniklých sil. Podpěrná zařízení zlepšují kontrolu a snižují riziko zásahu, rozdrčení či dalších poranění.

Pokud máte nějaké dotazy týkající se tohoto výrobku firmy RIDGID®:

- Obratě se na svého místního prodejce výrobků RIDGID.
- Navštivte www.RIDGID.com, kde naleznete vaše místní kontaktní místo společnosti RIDGID.
- Kontaktujte technické oddělení společnosti Ridge Tool na rtctechservices@emerson.com nebo v USA a Kanadě zavolejte na číslo (800) 519-3456.

Popis, technické údaje a standardní vybavení

Popis

Elektrická závitnice RIDGID® model 700 je navržena pro výkon k řezání závitů trubek a potrubí. Dopředný a zpětný chod lze zvolit pomocí vratného spínače.

Tato elektrická závitnice je navržena k použití spolu se závitoreznými hlavami RIDGID 12-R (trubky 1/8" – 2"). Ostatní závitorezné hlavy RIDGID, jako např. OO-R a 11-R, lze použít pomocí adaptérů.

Při řezání závitu na 1" nebo větší trubce použijte podpěrné zařízení, jako např. podpěrné rameno č. 775 nebo těžké trubkové kleště RIDGID 14", abyste snížili závitorezné síly.

Elektrickou závitnicí lze také použít k pohonu řezačky trubek RIDGID 258 a k dalším aplikacím, (viz „Jiné použití“).



Obrázek 1 – elektrická závitnice model 700

Specifikace

Kapacita řezání závitů.....trubka 1/8" až 2" (3 až 50 mm)
šroub 1/4" až 1" (6 až 25 mm)
pomocí závitorezné hlavy 00-RB

Motor:

Typ	univerzální, reverzační		
V	110	120	220-240
A	13,5	13,5	6,5
Frekvence	50/60 Hz	50/60 Hz	50/60 Hz
Napájení	1500	1500	1500

Provozní otáčky.....26-30 ot/min, bez zátěže

Ovládací prvky.....dvojpolohový vratný spínač s vratnou pružinou do polohy VYPNUTO

Převody.....tlakově litý hliník, pohon s redukcí čelních ozubených kol, pružinové západky adaptéru, ozubené kolo vřetena z tvrděné oceli

Rozměry:

Délka	28 1/4" (717 mm)
Šířka	6 1/16" (154 mm)
Výška	7 13/16" (198 mm)
Hmotnost	25 lbs. (11 kg)
Akustický tlak (L _{PA})**	98,4 dB(A), K=3
Akustický výkon (L _{WA})**	107 dB(A), K=3
Vibrace**	2,5 m/s ² , K=1,5

* Informace o motoru vašeho specifického stroje naleznete na štítku s výrobním číslem vašeho stroje – k dispozici jsou jiné verze.

** Měření zvuku a vibrací probíhá v souladu se standardizovaným testem dle normy EN 62481-1.

- Úroveň vibrací lze použít pro srovnání s ostatními nástroji a pro předběžné vyhodnocení vlivu vystavení.

- Emise zvuků a vibrací se mohou měnit v závislosti na vaší lokaci a specifickém použití těchto nástrojů.

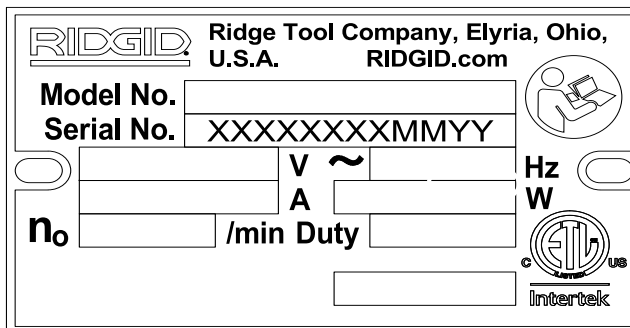
- U každé aplikace je nutné zhodnotit denní vystavení hlasitým zvukům a vibracím a v případě potřeby provést vhodná bezpečnostní opatření. Vyhodnocení úrovně vystavení by mělo brát v úvahu dobu, po kterou je nástroj vypnutý a nepoužívá se. Tento faktor může zásadně snížit úroveň vystavení během celé pracovní doby.

Standardní vybavení

Elektrická závitnice model 700 je dodávána v balení obsahujícím následující položky:

- elektrická závitnice 700
- kroucí rameno
- podpěrné zařízení
- návod k obsluze

Sériové číslo elektrické závitnice 700 je umístěno na spodní straně skříň motoru. Poslední 4 číslice udávají měsíc a rok výroby. (12 = měsíc, 15 = rok).



Obrázek 2 – Sériové číslo stroje

POZNÁMKA Za volbu vhodných materiálů, způsobu instalace, spojů a formování je zodpovědný architekt nebo montér systému. Volba nevhodných materiálů a metod by mohla způsobit systémovou závadu.

Nerezová ocel a další korozi odolné materiály mohou být během instalace, spojování a formování kontaminovány. Tato kontaminace může způsobit korozi a předčasné selhání. Před jakýmkoliv pokusem o instalaci by mělo být provedeno pečlivé zhodnocení materiálů a metod pro specifické provozní podmínky včetně chemických a teplotních podmínek.

Kontrola před zahájením práce

⚠ VÝSTRAHA

Před každým použitím elektrickou závitnicí 700 zkontrolujte a vyřešte veškeré problémy, abyste snížili nebezpečí vážného úrazu elektrickým proudem, rozdrčení či úrazu způsobeného jinými příčinami a zabránili poškození nástroje.

1. Ujistěte se, že je elektrická závitnice vypojená ze zásuvky.
2. Elektrickou závitnici spolu s podpěrným zařízením, včetně držadel a ovládání, očistěte od oleje, mastnoty či nečistot. Pomůže to provádění kontroly a napomůže zabránit tomu, aby vám nástroj nebo ovládání vyklouzlo z rukou.
3. U elektrické závitnice zkontrolujte následující:
 - Poškození nebo úpravy kabelu a zástrčky.
 - Správnou montáž, údržbu a úplnost.
 - Poškozené nesouosé či váznoucí součásti.
 - Řádný chod spínače. Ujistěte se, hladce pracuje a nevázne.
 - Přítomnost a čitelnost výstražných štítků (Obrázek 3).
 - Všechny ostatní podmínky, které mohou zabránit bezpečnému a normálnímu chodu.

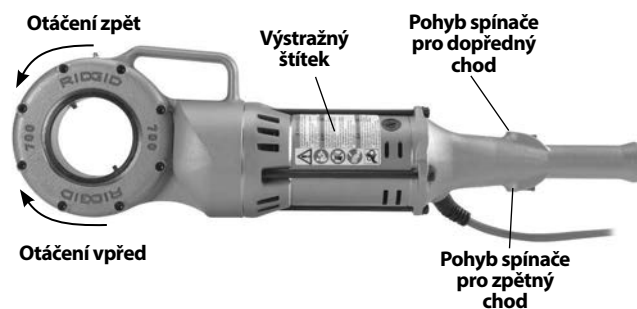
Pokud objevíte jakoukoliv závadu, elektrickou závitnici či podpěrné zařízení nepoužívejte do té doby, dokud nebudou závady odstraněny.

4. Zkontrolujte podpěrné rameno. Ujistěte se, že je jeho přídržné ozubení čisté a v dobrém stavu. Ozubení lze vyčistit pomocí ocelového kartáče.
5. Řezné hrany řezných matic zkontrolujte z hlediska opotřebení, deformací, odštěpení či jiných potíží. Tupé nebo poškozené řezné nástroje zvyšují množství potřebné síly a mají za následek řezání závitů špatné kvality a nebezpečí zranění.
6. Zkontrolujte a proveďte údržbu veškerého dalšího používaného vybavení dle příslušných pokynů, abyste zajistili jeho správnou funkci.
7. V souladu s pokyny v části *Nastavení a provoz* zkontrolujte správný chod elektrické závitnice.
 - Stiskněte a uvolněte spínač pro DOPŘEDNÉ otáčky a postup zopakujte pro ZPĚTNÉ otáčky dle Obrázku 3. Ujistěte se, že se elektrická závitnice otáčí dle Obrázku 3 a že spínač ovládá chod nástroje.

Nechte elektrickou závitnici zcela zastavit, než změníte směr chodu pomocí tlačítka spínače. Snížíte tak riziko poškození elektrické závitnice.

- Stiskněte a podržte tlačítko spínače. Zkontrolujte pohyblivé součásti, zda jsou správně vyrovnané a upnuté, zda nevydávají zvláštní zvuky nebo zda se nevykytují jiné neobvyklé podmínky. Uvolněte spínač.

Pokud nástroj nepracuje správně nebo zjistíte jakékoliv neobvyklé podmínky, nástroj nepoužívejte, dokud nebudou odstraněny.



Obrázek 3 – poloha spínače pro směr otáček

8. Uvolněte tlačítko spínače a suchýma rukama vypojte nástroj ze zásuvky.

Nastavení a provoz

⚠ VÝSTRAHA



Elektrickou závitnici 700 připravte a provozujte podle následujících postupů, abyste snížili nebezpečí úrazu elektrickým proudem, zachycení, zásahu, rozdrčení a dalších nehod a zabránili poškození nástroje.

Při řezání závitu na 1" (25 mm) nebo větší trubce použijte podpěrné zařízení, abyste snížili závitorezné síly. Použijte vhodné podpěrné zařízení dle těchto pokynů. Podpěrná zařízení zlepšují kontrolu a snižují riziko zásahu, rozdrčení či dalších poranění.

Při řezání závitů nebo zpětném vytáčení závitorezné hlavy z trubky držte elektrickou závitnici vždy pevně, abyste snížili závitorezné síly, bez ohledu na používané podpěrné zařízení. Snížíte tak riziko zasažení, rozdrčení či jiných zranění.

Trubku řádně podepřete. Snížíte tak riziko upadnutí trubky, překlopení či vážného poranění.

Elektrickou závitnici nepoužívejte bez řádně fungujícího tlačítka provozního spínače.

Při obsluze strojů nenoste rukavice nebo volné oblečení. Rukávy a bundy mějte vždy zapnuté. Nenaclánějte se přes stroj či trubku. Oblečení se může na trubce či ve stroji zachytit a zamotat se.

Pracovní postup a tlačítko spínače musí obsluhovat stejná osoba. Neprovozujte ve více než jedné osobě. V případě zachycení musí mít obsluha pod kontrolou provozní spínač.

- Zkontrolujte, zda je v místě:
 - Přiměřené osvětlení.
 - Výskyt hořlavých kapalin, par nebo prachu, které by se mohly vznítit. Pokud jsou přítomny, v oblasti nepracujte, dokud nebudou určeny a odstraněny jejich zdroje. Elektrické závitnice nejsou bezpečné proti výbuchu a mohou vytvářet jiskry.
 - Čisté, rovné, stabilní a suché místo pro veškeré vybavení a obsluhu.
 - Dobrá ventilace. Nepoužívejte příliš často v malých, uzavřených oblastech.
 - Řádně uzemněná elektrická zásuvka se správným napětím. V případě pochybností nechte zásuvku zkontrolovat kvalifikovaným elektrikářem.
 - Volná cesta k elektrické zásuvce, na které se nevyskytují žádné potenciální zdroje poškození napájecího kabelu.
- Zkontrolujte trubku, na které budou řezány závit a příslušné armatury, a ujistěte se, že elektrická závitnice 700 představuje správný nástroj pro daný úkol. *Viz specifikace.*

Vybavení pro ostatní aplikace naleznete v katalogu Ridge Tool, na internetových stránkách RIDGID.com nebo na telefonní lince technického oddělení společnosti Ridge Tool v USA a Kanadě na čísle (800) 519-3456.
- Ujistěte se, že jste řádně zkontrolovali vybavení, které budete používat.
- Řádně připravte trubku ke zpracování. Ujistěte se, že je trubka rovně uříznutá a bez otřepů. Trubky uříznuté po úhlem mohou poškodit řezné matrice během řezání závitů nebo mohou působit potíže v kontaktu závitorežné hlavy.
- Ujistěte se, že trubice, na které se bude řezat závit, je stabilně a bezpečně zajištěná, aby se během použití nástroje zabránilo jejímu překlopení. Trubku podepřete po celé délce vhodnými stojánky.
- Zkontrolujte hladinu závitorežného oleje RIDGID v olejové maznici RIDGID 418. Odstraňte nádobu na odřezky a ujistěte se, že je síto filtru čisté a plně ponořené v oleji. V případě potřeby olej přidejte nebo vyměňte. Nádobu olejové maznice 418 umístěte pod konec trubky, u které bude řezán závit.

Montáž závitorežných hlav

- Ujistěte se, že je elektrická závitnice vypojena ze zásuvky.
- Zatlačte závitorežnou hlavu 12-R nebo adaptér (viz *Volitelné vybavení*), drážkovaným koncem napřed, plně do elektrické závitnice, dokud se pružinové západky pohonu nezajistí bezpečně v drážkách. (Obrázek 4). Závitorežnou hlavu nebo adaptér lze zasunout z obou stran elektrické závitnice. V některých případech může být zapotřebí otočit hlavami/adaptéry, aby se umožnilo zajištění západek. Do adaptérů 770 a 773 je nutné nainstalovat závitorežnou hlavu před tím, než je zasunete do elektrické závitnice.
- K demontáži vytáhněte rovnoměrně závitorežnou hlavu z elektrické závitnice. V případě potřeby použijte k vyklepnutí hlavice kladivo s měkkou hlavou nebo dřevěný špalík. Nebijte do závitorežné hlavy, mohlo by to poškodit nástroj.



Obrázek 4 – instalace závitorežných hlav do elektrické závitnice 700

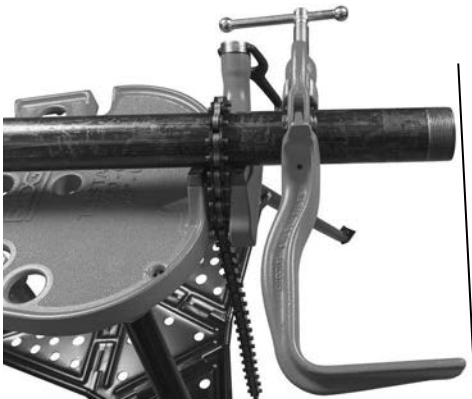
Snížení závitorežných sil (Podpěrná zařízení)

U pravotočivých závitů se řezací hlava otáčí po směru hodinových ručiček (z pohledu na přední část závitorežné hlavy). Síly vyvinuté závitorežným točivým momentem budou směřovat opačně tj. proti směru hodinových ručiček. U levotočivých závitů se rotace a síly obrátí. Ujistěte se, že je podpěrné zařízení postavené tak, aby správně absorbovalo a snižovalo závitorežné síly.

Použití podpěrného ramene č. 775:

- Kotevní hák podpěrného ramene lze sestavit na obou stranách. Bezpečně utáhněte čep závěsu.
- Umístěte podpěrné rameno na trubce tak, aby byl konec podpěrného ramene zarovnaný s koncem trubky a elektrická závitnice 700 byla vodorovně lehce výš (Obrázek 5 a 6). Takto řádně umístíte podpěrné rameno k řezání závitů a zabráníte stékání závitorežného oleje do elektrické závitnice.

- Ujistěte se, že jsou čelisti podpěrného ramene na trubce vyrovnány a bezpečně podpěrné rameno utáhněte.



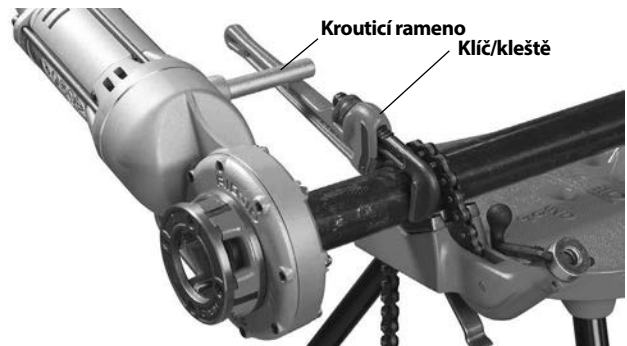
Obrázek 5 – Podpěrné rameno zarovnané s koncem trubky



Obrázek 6 – Podpěrné rameno umístěné vodorovně lehce pod elektrickou závitnicí 700

Použití těžkých trubkových kleští RIDGID 12", 14" nebo 18":

- Bezpečně nainstalujte krouticí rameno do skříň ventilátoru elektrické závitnice 700. Lze také použít 5" (127 mm) dlouhý kus 1/2" ocelové trubky s tloušťkou stěny odpovídající standardu ANSI Schedule 80 se závitem 1/2" NPT.
- Těžké trubkové kleště RIDGID 12", 14" nebo 18" umístěte cca 7" (175 mm) od konce trubky (viz Obrázek 7). Zkouškou ověřte, zda jsou kleště zajištěné a nehrozí jejich pád či pohyb.
- Na začátku řezání závitu bude krouticí rameno sedět na držadle trubkových kleští.



Obrázek 7 – řezání závitu pomocí trubkových kleští sloužících jako podpěrné rameno

Jiné způsoby podepření:

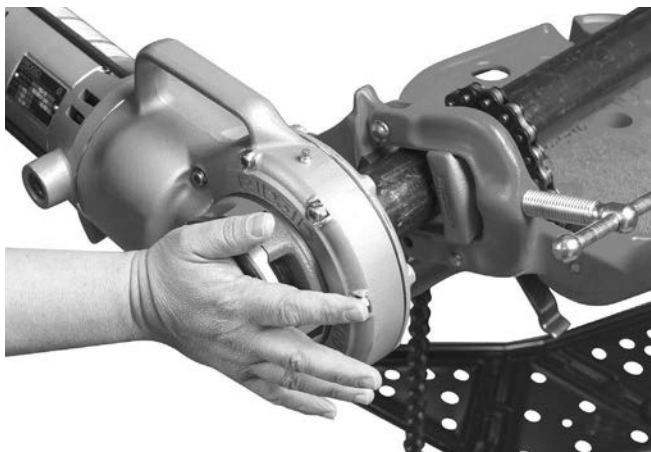
Skříň motoru elektrické závitnice zapřete (viz Obrázek 1) o přilehlý strukturální prvek (např. zdi, nosníky či trámy). To však vyžaduje, aby opracovávaná trubka a okolní prvky dokázaly odolat hmotnosti nástroje a závitorezným silám. Může být nutné přidat dočasné či trvalé podpěry trubek nebo strukturálních prvků, které řádně sníží závitorezné síly.

U trubek s průměrem 3/4" či menším:

Trubky o nominálním průměru 3/4" a méně lze opatřit závitkem bez použití podpěrného zařízení. V takovém případě závitorezné síly tlumí obsluha. Trubku je nutné řádně zajistit, aby se neprotáčela. Při řezání závitu nebo zpětném vytáčení závitorezné hlavy z trubky elektrickou závitnicí držte vždy pevně, abyste snížili závitorezné síly. Snížíte tak riziko zasažení, rozdrčení či jiných zranění.

Řezání závitu

- Suchýma rukama zapojte elektrickou závitnici do zásuvky.
- Umístěte závitoreznou hlavu na konec trubky a podepřete elektrickou závitnicí dle pokynů v části Snížení závitorezných sil. Vždy udržujte elektrickou závitnici zapřenou o podpěrné zařízení. Mezi elektrickou závitnicí a podpěrné zařízení nic nevkládejte – riskovali byste tím úraz přiskřípnutím či rozdrčením.
- Zaujměte správnou pracovní polohu, abyste si udrželi kontrolu nad nástrojem (viz Obrázek 9):
 - Ujistěte se, že máte dobrou rovnováhu a nemusíte sahat přes nástroj nebo daleko.
 - Ujistěte se, že můžete ovládat tlačítko spínače a nástroj. Spínač zatím ještě neuvolňujte. V případě nouze musíte být schopni spínač uvolnit.



Obrázek 8 – začátek řezání závitu

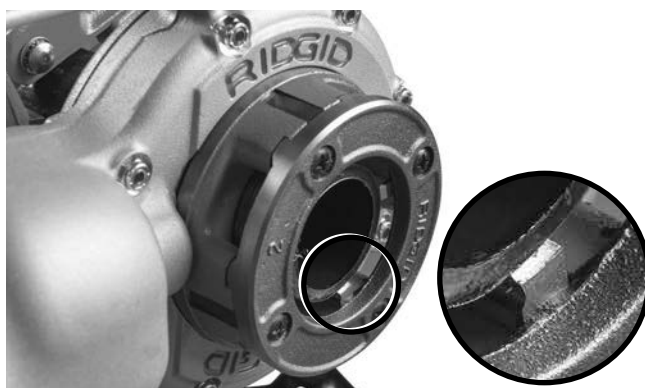
4. Současně stiskněte tlačítko spínače (viz Obrázek 3) a zatlačte na krycí plát závitorezné hlavy dlaní volné ruky a začnete řezat závit (Obrázek 8). Při tlačení na krycí plát nenoste rukavice, šperky či nepoužívejte hadr – zvýšíli byste tím riziko zachycení a úrazu. Jakmile řezné matrice přijdou do kontaktu s trubkou, začne se jejich tažením přes konec trubky řezat závit.

Vždy pevně držte držadlo elektrické závitnice, abyste redukovali vzniklé síly. Podpěrná zařízení mohou sklouznout a umožnit pohyb elektrické závitnice. Tlačítko spínače lze kdykoliv uvolnit za účelem vypnutí elektrické závitnice.



Obrázek 9 – řezání závitu na trubce

5. Přestaňte tlačít na krycí plát a pomocí olejové maznice aplikujte dostatečné množství závitorezného oleje RIDGID na oblast řezaného závitu. Snížíte tak točivý moment řezání závitu, zlepšíte kvalitu závitu a prodloužíte životnost řezací matrice.
6. Držte spínač stisknutý, dokud není konec trubky zarovnaný s okrajem řezných matic (Obrázek 10). Sledujte stav, abyste se ujistili, že elektrická závitnice nenarazí do podpěrného zařízení. Uvolněte tlačítko spínače. Nechte elektrickou závitnici zcela zastavit.

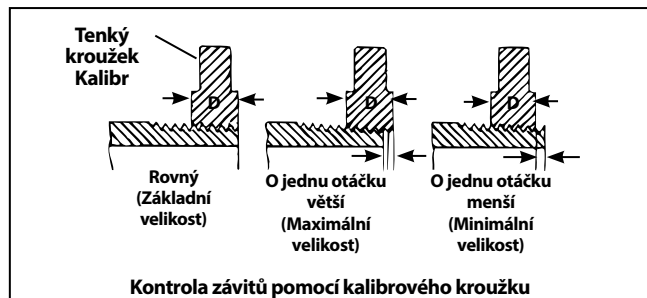


Obrázek 10 – trubka zarovnaná s okrajem řezných matic

7. Nastavte tlačítko spínače na zpětný pohyb, abyste vytočili závitoreznou hlavu z trubky opatřené závitěm. Držte pevně držadlo elektrické závitnice, abyste bránili silám vznikajícím při odlamování otřepů závitů a zpětném vytáčení závitorezné hlavy.
8. Uvolněte spínač a odstraňte elektrickou závitnici a závitoreznou hlavu z trubky.
9. Suchýma rukama vypojte elektrickou závitnici ze zásuvky.
10. Otrete olej a nečistoty ze závitů a ze závitorezné hlavy. Buďte při tom opatrní, abyste se nepořezali o ostré otřepy a hrany. Očistěte případný rozlitý olej na pracovišti.

Kontrola závitů

1. Odstraňte jakékoliv zbytky oleje, otřepů a nečistot ze závitů.
2. Vizuálně zkontrolujte závit. Závit by měl být hladký, úplný a v dobrém stavu. Pokud došlo k potížím, jako je trhání závitů, příliš tenkým závitům nebo zploštění trubky, závit po vytvoření nemusí těsnit. Pro pomoc s diagnostikou těchto problémů viz „*Tabulka odstraňování problémů*“.
3. Zkontrolujte velikost závitů. Upřednostňovaným způsobem kontroly velikosti závitů je měření pomocí kalibrového kroužku. Existuje mnoho druhů kalibrových kroužků a jejich použití se může lišit od způsobu uvedeného na *Obrázku 11*.
 - Ručně našroubujte kalibrový kroužek natěsno na závit.
 - Podívejte se, jak daleko přesahuje trubka skrze kalibrový kroužek. Konec trubky by měl být zarovnaný se stranou kalibru plus, mínus jedna otáčka. Pokud závit neodpovídá správnému kalibru, odřízněte jej, seříďte závitoreznou hlavu a vytvořte nový závit. Použití závitů, který neodpovídá kalibru, může vést k únikům.



Obrázek 11 – Kontrola velikosti závitů

- Pokud nemáte ke kontrole velikosti závitů k dispozici kalibrový kroužek, je možné použít novou, čistou armaturu, která odpovídá typu používanému na daném potrubí, aby se zjistila kalibrace velikosti závitů.

U závitů velikosti 2" a méně a v rámci NPT závitů by závit měly být řezány na 4 až 5 otáček ručního dotažení armatury a u závitů velikosti 2" a méně a v rámci BSPT závitů by závit měly být řezány na 3 otáčky.

Elektrická závitnice 700 – Jiná použití

Tento návod obsahuje specifické pokyny k obsluze elektrické závitnice 700 k řezání závitů pomocí různých závitorezných hlav RIDGID. Při jejím použití s jiným vybavením značky RIDGID (jako např. elektrickou řezačkou trubek RIDGID 258/258XL) se řiďte pokyny a varováními ohledně přípravy a použití dodanými spolu s daným vybavením.

Společnost Ridge Tool nemůže dodávat specifické pokyny pro všechna možná použití elektrické závitnice 700. Uživatel musí zhodnotit specifický pracovní scénář a použít zásady dobré praxe a pracovních postupů. Pokud máte jakékoliv pochyby ohledně jiného použití elektrické závitnice 700, nepoužívejte ji k těmto účelům.

Pokud elektrickou závitnici 700 použijete k jiným účelům, pečlivě zhodnoťte a připravte pracovní činnost v souladu s níže uvedenými obecnými pokyny. Elektrická závitnice 700 dodává vysoký krouticí moment a odpovídající manipulační síly, které mohou způsobit zranění zasažením či rozdrčením.

- RIDGID 774 adaptér čtvercového pohonu lze použít k přizpůsobení elektrické závitnice 700 k otáčení 1⁵/₁₆" čtvercového čepu. Adaptér bezpečně připojte, abyste zabránili jeho odpojení během provozu.
- Je nutné zajistit vhodné způsoby odolání všem manipulačním silám (viz část „*Snížení manipulačních sil*“). Tyto síly mohou přesáhnout 1 000 lbs (455 kg). Podpěrná zařízení lze zapřít o skříň motoru nebo ventilátoru elektrické závitnice 700 (*Obrázek 1*).
- Vždy udržujte elektrickou závitnici zapřenu o podpěrné zařízení – nekládejte části těla mezi elektrickou závitnici a podpěrné zařízení.
- Mezi elektrickou závitnicí a podpěrným zařízením by nemělo během chodu docházet ke vzájemnému pohybu.
- Ujistěte se, že použití (jako např. pohon či zkouška ventilu) umožňuje volné otáčení, nedochází k zasekávání a jsou známy konce dosahu. Pokud se během používání systém zasekne nebo zatuhne, manipulační síly se náhle a značně zvýší a elektrická závitnice může začít rotovat.
- Při použití ke zkoušce ventilu nebo jiného vybavení se řiďte všemi pokyny výrobce vybavení. Vybavení nepřetěžujte.

- Používejte elektrickou závitnici 700 tak, aby reakční síla působila směrem od obsluhy.
- Uvolněte tlačítko spínače, kdykoliv potřebujete odpojit elektrickou závitnici od napájení. Ujistěte se, že můžete tlačítko spínače uvolnit.

Návod k údržbě

⚠ VÝSTRAHA

Před prováděním jakékoliv údržby nebo úprav se ujistěte, že je tlačítko spínače uvolněné a nástroj odpojený ze sítě.

Nástroj udržujte v souladu s těmito pokyny, abyste snížili nebezpečí úrazu elektrickým proudem, zachycení či úrazu z jiných příčin.

Čištění

1. Po každém použití vyprázdňte odřezky z nádoby na odřezky olejové maznice 418 a otřete jakékoliv zbytky oleje.
2. Z elektrické závitnice, obzvláště z držadel a ovládacích prvků, odstraňte veškeré stopy oleje, maziva či odřezků.
3. Z podpěrného ramene očistěte jakékoliv zbytky koleje, mastnoty či nečistot. V případě potřeby vyčistěte čelisti podpěrného ramene ocelovým kartáčem.
4. Ze závitorežných hlav odstraňte odřezky a nečistoty.

Mazání

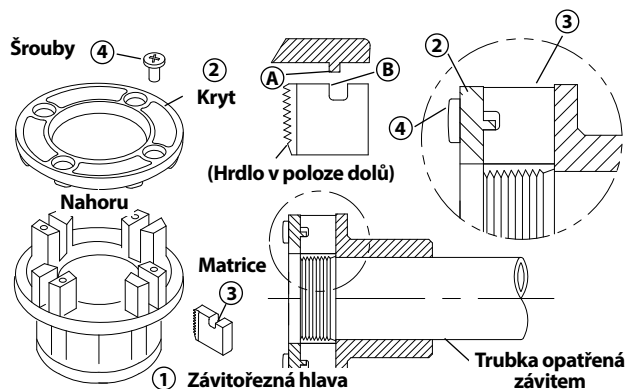
Pomocí mazací pistole přidejte extrémní tlakové (EP) lithiové mazivo skrze mazací úpravy na skříni převodovky (viz Obrázek 1) každých 3 až 6 měsíců podle využití nástroje.

Výměna řezných matic u závitorežných hlav 12-R

K instalaci do závitorežných hlav RIDGID 12-R je k dispozici mnoho různých řezných matic. *Ohledně dostupnosti viz katalog.*

1. Demontujte čtyři šrouby (4), krycí plech (2) a řezné matrice (3) ze závitorežné hlavy.
2. Do otvorů vložte nové řezné matrice očíslovanou stranou (1,2,3,4) směrem vzhůru. Čísla na řezných maticích musí odpovídat číslům na otvorech v závitorežné hlavě. Řezné matrice vždy měňte jako sadu.
3. Namontujte krycí plech (2) a šrouby (4) a lehce je dotáhněte.
4. Našroubujte konec trubky opatřené závitem do řezných matic, dokud nezačnou řezat. Tyto síly se zastaví na maticích „B“ směrem ven proti nálitkům „A“ na krycí plátu a dojde ke správnému nastavení velikosti.

5. Všechny čtyři šrouby bezpečně dotáhněte. Odstraňte trubku opatřenou závitem a proveďte kontrolní řezání závitu.



Obrázek 12 – instalace řezných matic do závitorežné hlavy

Výměna kartáčů v motoru

Kartáče motoru kontrolujte každých 6 měsíců. Vyměňte je, když jsou opotřebované na méně než 1/4" (6 mm).



Obrázek 13 – instalace kartáče

1. Vypojte nástroj ze zdroje napájení.
2. Odšroubujte víčka kartáčů. Demontujte a zkontrolujte kartáče. Vyměňte je, když jsou opotřebované na méně než 1/4" (6 mm). Zkontrolujte opotřebení komutátoru. Pokud je příliš opotřebovaný, dejte nástroj do servisu.
3. Namontujte kartáče zpět/namontujte nové kartáče.
4. Nechte jednotku běžet naprázdno 15 minut v dopředném chodu, po kterém následuje 15 minut zpětného chodu, aby se kartáče usadily na komutátoru před ostrým použitím.

Volitelné vybavení

⚠ VÝSTRAHA

Abyste snížili nebezpečí vážného úrazu, používejte pouze příslušenství speciálně určené a doporučené pro použití s elektrickou závitnicí 700, které je uvedeno níže.

Katalogové č.	Popis
42600	Adaptér 770 pro 00-R (1/8" – 1") a 00-RB (1/4" – 1")
42605	Adaptér 771 pro 0-R (1/8" – 1")
42610	Adaptér 772 pro 11-R (1/8" – 1 1/4")
42615	Adaptér 773 pro 111-R (1/8" – 1 1/4")
42620	Adaptér čtvercového pohonu 774 – 1 5/16"
42625	Podpěrné rameno 775
46615	Krouticí rameno
42950	Kovový přepravní kufr B-171-X
10883	Olejevá maznice 418 s 1 galonem prvotřídního závitorezného oleje
41620	Mazací tuk pro motor převodové hlavy

Další informace ohledně dostupného vybavení specifického pro elektrickou závitnici 700 lze nalézt v katalogu RIDGID a online na stránce RIDGID.com.

Uskladnění nástroje

⚠ VÝSTRAHA Elektrická závitnice 700 musí být uložena uvnitř nebo musí být při deštivém počasí dobře zakrytá. Přístroj skladujte v uzamčeném prostoru, který je z dosahu dětí a lidí neseznámených s tímto přístrojem. Tento nástroj může způsobit vážná poranění v rukách nezacvičených uživatelů.

Servis a opravy

⚠ VÝSTRAHA

Po nevhodném servisním zásahu nebo opravě může být nástroj při práci nebezpečný.

Většinu potřebných informací o servisu tohoto nástroje naleznete v *Návodu k údržbě*. Všechny potíže, které v tomto odstavci nejsou uvedeny, musí být pojednány s autorizovaným technikem servisu firmy RIDGID.

Nástroj je nutné doručit do nezávislého autorizovaného servisního střediska RIDGID nebo vrátit výrobci. Používejte pouze náhradní díly RIDGID.

Pro informace o svém nejbližším nezávislém servisním středisku firmy RIDGID nebo jakékoli dotazy týkající se servisu nebo oprav:

- Obratě se na svého místního prodejce výrobků RIDGID.
- Navštivte www.RIDGID.com, kde naleznete vaše místní kontaktní místo společnosti RIDGID.
- Kontaktujte technické oddělení společnosti Ridge Tool na rtctechservices@emerson.com nebo v USA a Kanadě zavolejte na číslo (800) 519-3456.

Informace o závitorezném oleji

Přečtěte si a řiďte se všemi pokyny na štítku a bezpečnostním listu (SDS) závitorezného oleje. Specifické informace o závitorezných olejích RIDGID včetně identifikace rizik, první pomoci, likvidace požáru, opatření při náhodném úniku, manipulace a uskladnění, osobních ochranných pomůcek, likvidace a přepravy jsou uvedeny na kontejneru a v bezpečnostním listu (SDS). Bezpečnostní list naleznete na stránce RIDGID.com nebo se obraťte na technické oddělení společnosti Ridge Tool na rtctechservices@emerson.com nebo v USA a Kanadě zavolejte na číslo (800) 519-3456.

Likvidace

Některé části elektrické závitnice 700 obsahují cenné materiály, které lze recyklovat. Existují místní společnosti, které se na recyklování specializují, a které lze najít ve vaší oblasti. Likvidujte komponenty v souladu se všemi použitelnými předpisy. Pro získání dalších informací se spojte s místním úřadem pro nakládání s odpady.



Pro země EU: Elektrická zařízení nelikvidujte spolu s domácím odpadem!

Podle evropské směrnice 2012/19/EU pro likvidaci elektrických a elektronických zařízení a její aplikace v národních legislativách musí být nepoužitelná elektrická zařízení shromážděna samostatně a zlikvidována ekologickým způsobem.

Řešení problémů

PROBLÉM	MOŽNÉ DŮVODY	ŘEŠENÍ
Stroj se nespustí.	Kartáče se nedotýkají armatury.	Kartáče zkontrolujte a v případě potřeby vyměňte.
Stroj neřeže závit.	Tupé řezné matrice. Přetížení z důvodu potrhaných či chybějících závitů. Špatná kvalita či nedostatečné množství řezného oleje. Nedostatečné síťové napětí.	Vyměňte řezné matrice. Viz níže uvedené možné příčiny. Použijte závitorezný olej RIDGID v dostatečném množství. Zkontrolujte napájecí napětí.
Tenké závit.	Nedostatečný kontakt mezi kartáči a komutátorem. Kartáče se nedotýkají správně komutátoru. Kartáče odlišného výrobce. Nové kartáče.	Dotáhněte víčka kartáčů, abyste zajistili, že se kartáče pevně přitisknou na komutátor. Vyměňte opotřebované kartáče nebo armaturu. Používejte pouze kartáče RIDGID. Nechte jednotku běžet naprázdno 15 minut v dopředném chodu a 15 minut ve zpětném chodu, aby se kartáče usadily na komutátoru.
Závitorezná hlava nezačne rezat závit.	Závitorezná hlava není vyrovnaná s koncem trubky. Přítlačné síly se na závitorezné hlavě neaplikují správně. Konec trubky není rovně uříznutý. Tupé nebo zlomené řezné matrice. Stroj pracuje v nesprávném směru. Řezné matrice jsou nesprávně vsazeny do závitorezné hlavy.	Zatlačte na krycí plát závitorezné hlavy a začněte rezat. Přítlačné síly aplikujte skrze středovou linii trubky. Uřízněte konec trubky rovně. Vyměňte řezné matrice. Spustte stroj ve správném směru. Ujistěte se, že řezné matrice směřují ven oproti nálitkům na krycím plátu.
Potrhané závit.	Poškozené, odštípnuté nebo opotřebované řezné matrice. Nesprávný olej či nedostatečné množství řezného oleje. Nesprávný typ řezné matrice pro daný materiál. Špatná kvalita či materiál trubky.	Vyměňte řezné matrice. Použijte pouze závitorezný olej RIDGID® v dostatečném množství. Zvolte vysokorychlostní, nerezové řezné matrice nebo matrice ze slitin vhodné pro dané použití. Použijte trubku vyšší kvality.
Chybějící nebo rozdrčené závit.	Stěna trubky je příliš tenká.	Použijte trubky s tloušťkou stěny odpovídající standardu ANSI Schedule 40 nebo vyšší.

Řešení problémů (pokračování)

Podpěrné zařízení se při řezání závitů otáčí.	Čelisti podpěrného ramene jsou znečištěné.	Očistěte ocelovým kartáčem.
	Podpěrné rameno není správně vyrovnáno.	Vyrovnejte podpěrné rameno správně s trubicí.
	Podpěrné rameno nemá těsný stisk.	Dotáhněte šnekový šroub.
Tenké závity.	Řezné matrice jsou umístěné v nesprávném pořadí.	Vložte řezné matrice správně do otvorů v závitořezné hlavě.

Elektrický pohon

700



⚠ VÝSTRAHA!

Pred používaním tohto nástroja si dôkladne prečítajte návod na použitie. Nepochoopenie a nedodržanie pokynov uvedených v tomto návode na použitie môže viesť k úrazom elektrickým prúdom, požiaru a/alebo vážnym zraneniam osôb.

Elektrický pohon 700

Do vyznačeného priestoru nižšie uveďte výrobné číslo a uchovajte výrobné číslo výrobku uvedené na typovom štítku.

Výrobné
č.

--	--

Obsah

Záznamový formulár pre výrobné číslo stroja	195
Bezpečnostné symboly	197
Všeobecné bezpečnostné výstrahy pre elektrické náradie	197
Bezpečnosť na pracovisku.....	197
Elektrická bezpečnosť.....	197
Bezpečnosť osôb	198
Používanie a starostlivosť o elektrické náradie.....	198
Servis.....	198
Špecifické bezpečnostné informácie	199
Bezpečnosť elektrického pohonu	199
Popis, technické údaje a štandardné vybavenie	199
Popis.....	199
Technické údaje	200
Štandardné vybavenie.....	200
Kontrola pred prevádzkou	200
Nastavenie a prevádzka	201
Inštalácia závitorezných hláv.....	202
Absorbovanie závitorezných síl (podporné zariadenia).....	202
Rezanie závitov	203
Kontrola závitov	205
Elektrický pohon 700 – Iné použitia	205
Pokyny na údržbu	206
Čistenie.....	206
Mazanie.....	206
Výmena závitníc v závitorezných hlavách 12-R.....	206
Výmena kief v motore.....	206
Voliteľné vybavenie	207
Skladovanie zariadenia	207
Servis a opravy	207
Informácie o závitoreznom oleji	207
Likvidácia	207
Riešenie problémov	208
ES Prehlásenie o zhode	Z vnútornej strany zadného krytu
Doživotná záruka	Zadná strana

*Preklad pôvodného návodu na použitie

Bezpečnostné symboly

V tomto návode na použitie a na výrobku sú použité bezpečnostné symboly a výstražné hlásenia, ktoré slúžia ako upozornenie na dôležité bezpečnostné informácie. Táto časť má pomôcť lepšie porozumieť týmto výstražným hláseniam a symbolom.



Toto je symbol bezpečnostnej výstrahy. Označuje riziko možného poranenia osôb. Dodržaním všetkých bezpečnostných pokynov, ktoré sú uvedené pod týmto symbolom, môžete predísť možným poraneniam alebo úrazom s následkom smrti.

⚠ NEBEZPEČENSTVO

NEBEZPEČENSTVO označuje nebezpečnú situáciu, ktorá bude mať za následok vážne alebo smrteľné poranenie, ak jej nepredídete.

⚠ VÝSTRAHA

VÝSTRAHA označuje nebezpečnú situáciu, ktorá môže mať za následok vážne alebo smrteľné poranenie, ak jej nepredídete.

⚠ UPOZORNENIE

UPOZORNENIE označuje nebezpečnú situáciu, ktorá môže mať za následok ľahké alebo stredne vážne poranenie, ak jej nepredídete.

POZNÁMKA

POZNÁMKA označuje informácie, ktoré sa vzťahujú na ochranu majetku.



Tento symbol znamená, že pred používaním zariadenia je nevyhnutné dôkladne si prečítať návod na použitie. Tento návod na použitie obsahuje informácie dôležité pre bezpečnosť a správnu obsluhu zariadenia.



Tento symbol znamená, že používateľ musí počas manipulácie s týmto zariadením alebo počas jeho používania vždy používať okuliare s bočnými krytmi alebo bezpečnostné okuliare, aby tak znížil riziko poranenia očí.



Tento symbol označuje riziko zachytenia prstov, rúk, oblečenia a ďalších predmetov do alebo medzi ozubené kolesá či iné rotujúce diely, a tým spôsobených pomliaždení.



Tento symbol označuje riziko zásahu elektrickým prúdom.



Tento symbol označuje riziko naklonenia a spadnutia stroja, ktoré môže spôsobiť pomliaždeniny alebo iné vážne zranenia.



Tento symbol znamená, že počas prevádzky tohto zariadenia nemáte nosiť rukavice, aby sa znížilo riziko zamotania.



Tento symbol znamená povinnosť použitia podporného zariadenia ako pomôcky na absorbovanie závitoreznej sily, na zlepšenie ovládania a zníženie rizika zranenia.

Všeobecné bezpečnostné výstrahy pre elektrické náradie*

⚠ VÝSTRAHA

Prečítajte si a porozumejte všetkým pokynom. Nedodržanie všetkých nižšie uvedených pokynov môže mať za následok zásah elektrickým prúdom, požiar a/alebo vážne poranenie.

USCHOVAJTE VŠETKY VÝSTRAHY A POKYNY PRE PRÍPADNÉ ĎALŠIE POUŽITIE!

Pojem „elektrické náradie“ používaný vo všetkých nasledujúcich výstrahách sa vzťahuje na elektrické náradie napájané zo siete (napájacou šnúrou) alebo na elektrické náradie napájané akumulátormi (bez napájacej šnúry).

Bezpečnosť na pracovisku

- **Pracovisko udržiavajte čisté a dobre osvetlené.** Preplnené a tmavé miesta priťahujú nehody.
- **Nepracujte s elektrickým náradím v explozívnom prostredí, ako je prostredie s horľavými tekutinami, plynmi alebo prachom.** Elektrické náradie vytvára iskry, ktoré môžu vznietiť prach alebo výpary.

- **Deti a okolostojace osoby sa pri práci s elektrickým náradím musia nachádzať v dostatočnej vzdialenosti.** V prípade odpútania pozornosti by ste mohli stratiť kontrolu nad nástrojom.

Elektrická bezpečnosť

- **Zástrčky elektrického náradia sa musia typovo zhodovať so zásuvkami. Nikdy a žiadnym spôsobom nemodifikujte elektrické zástrčky. Nepoužívajte žiadne adaptéry, ak požívate uzemnené elektrické náradie. Uzemnené náradie musí byť zapojené do zásuvky, správne nainštalované a uzemnené v súlade so všetkými predpismi a nariadeniami. Nikdy nedemontujte uzemňovací hrot ani žiadnym spôsobom nemeňte zástrčku. Ak máte pochybnosti, či je zásuvka správne uzemnená, obráťte sa na kvalifikovaného elektrikára.** Nemodifikované zástrčky a zhodné zásuvky znižujú riziko zásahu elektrickým prúdom.
- **Zabráňte telesnému kontaktu s uzemnenými povrchmi, ako sú napríklad potrubia, radiátory, okruhy a chladiace časti.** Ak je vaše telo uzemnené, hrozí zvýšené riziko zasiahnutia elektrickým prúdom.
- **Elektrické náradie nevystavujte dažďu ani vlhku.** Voda, ktorá vnikne do elektrického náradia, zvyšuje riziko zásahu elektrickým prúdom.

* Text použitý v časti Všeobecné bezpečnostné výstrahy pre elektrické náradie tejto príručky je doslovný, ako to vyžaduje platná norma UL/CSA 62841-1. Táto časť obsahuje všeobecné bezpečnostné postupy pre mnohé rôzne typy elektrického náradia. Nie každé bezpečnostné opatrenie platí pre každé náradie a niektoré neplatia pre toto náradie.

- **Nepoškodzuje napájaciu šnúru.** Šnúru nikdy nepoužívajte na prenášanie náradia ani vyťahovanie zástrčky zo zásuvky. Šnúru chráňte pred horúčavou, olejom, ostrými hranami alebo pohybujúcimi sa časťami zariadenia. Poškodené šnúry okamžite vymeňte. Poškodené šnúry zvyšujú riziko zásahu elektrickým prúdom.
- **Ak pracujete s elektrickým náradím vonku, používajte predlžovaciu šnúru označenú ako „W-A“ alebo „W“.** Tieto šnúry sú dimenzované pre vonkajšie použitie a znižujú riziko zásahu elektrickým prúdom.
- **Ak je prevádzka elektrického náradia vo vlhkom prostredí nevyhnutná, použite obvod s uzemnenou prúdovou ochranou (GFCI).** Použitie GFCI znižuje riziko zásahu elektrickým prúdom.

Bezpečnosť osôb

- **Pri práci s elektrickým náradím buďte pozorní a sústreďte sa vždy na to, čo práve robíte.** Nepoužívajte elektrické náradie, keď ste unavení alebo keď ste pod vplyvom drog, alkoholu alebo liekov. Chvíľková nepozornosť pri práci s elektrickým náradím môže mať za následok vážne zranenie.
- **Používajte prostriedky osobnej ochrany. Vždy majte nasadené ochranné okuliare.** Ochranné vybavenie, ako sú maska proti prachu, protišmyková obuv, ochranná prilba alebo chrániče sluchu, použité vo vhodných podmienkach znížia poškodenie zdravia.
- **Zabráňte neočakávanému spusteniu.** Pred pripojením nástroja do elektrickej siete alebo pred založením akumulátorov, zdvihnutím alebo prenášaním nástroja sa vždy uistite, že prepínač je v polohe OFF (VYP.). Prenášanie elektrického náradia s prstom položeným na spínači alebo s prepínačom v polohe ON (ZAP.) môže mať za následok úraz.
- **Skôr ako elektrické náradie zapnete, odstráňte nastavovacie a montážne nástroje.** Ponechanie týchto nástrojov na rotujúcej časti elektrického náradia môže spôsobiť úraz.
- **Nenaťahujte sa príliš ďaleko. Neustále udržiavajte pevný postoj a rovnováhu.** Takto budete môcť lepšie kontrolovať elektrické náradie v neočakávaných situáciách.
- **Pri práci noste vhodný pracovný odev. Neobliekajte si voľné oblečenie a nenoste šperky.** Dbajte na to, aby ste mali vlasy a odev v dostatočnej vzdialenosti od pohyblivých častí náradia. Voľné oblečenie, šperky alebo dlhé vlasy sa môžu zachytiť do pohyblivých častí.
- **Ak sú použité zariadenia na odsávanie a zhromažďovanie prachu, uistite sa, že sú pripojené a používané správne.** Použitie zariadenia na zhromažďovanie prachu môže zmierniť riziko spojené s prašnosťou.

Používanie a starostlivosť o elektrické náradie

- **Elektrické náradie nepreťažujte. Použite správne elektrické náradie určené na dané použitie.** Pomocou vhodného elektrického náradia budete môcť v uvedenom rozsahu výkonu pracovať lepšie a bezpečnejšie.
- **Nepoužívajte elektrické náradie, ktoré nie je možné zapnúť a vypnúť vypínačom.** Elektrické náradie, ktoré sa nedá ovládať vypínačom, je nebezpečné a treba ho dať opraviť.
- **Pred nastavovaním elektrického náradia, výmenou príslušenstva alebo pred uskladnením elektrického náradia odpojte zástrčku z elektrickej siete a/alebo odpojte akumulátor.** Takéto bezpečnostné opatrenia znižujú riziko náhodného spustenia elektrického náradia.
- **Nepoužívané elektrické náradie skladujte mimo dosahu detí a osôb, ktoré nie sú dostatočne oboznámené s týmto náradím či týmto návodom na používanie náradia.** Používanie elektrického náradia neškolenými osobami je nebezpečné.
- **Vykonávajte riadnu údržbu elektrického náradia. Skontrolujte, či sú pohyblivé súčiastky náradia správne zarovnané, či sa nezasekávajú, či nie sú zlomené alebo inak poškodené, čo by mohlo ovplyvniť fungovanie elektrického náradia. Pred použitím elektrického náradia dajte poškodené súčiastky opraviť.** Mnoho úrazov nastáva z dôvodu nedostatočnej údržby elektrického náradia.
- **Rezné nástroje udržiavajte ostré a čisté.** Starostlivo ošetrované rezné nástroje s ostrými hranami sa menej často zasekávajú a ľahšie sa ovládajú.
- **Elektrické náradie, príslušenstvo, nástavce nástroja a pod. používajte podľa tohto návodu na použitie. Zohľadnite pritom konkrétne pracovné podmienky a činnosť, ktorú máte vykonať.** Používanie elektrického náradia na iné ako určené účely môže spôsobiť nebezpečnú situáciu.

Servis

- **Elektrické náradie zverte do opravy iba kvalifikovanému odborníkovi a používajte iba originálne náhradné súčiastky.** Tým zaistíte bezpečnosť elektrického náradia.

Špecifické bezpečnostné informácie

▲ VÝSTRAHA

Táto časť obsahuje dôležité bezpečnostné informácie, ktoré sú špecifické pre tento nástroj.

Pred použitím elektrického pohonu 700 si dôkladne naštudujte tieto pokyny, aby sa znížilo riziko zásahu elektrickým prúdom, nárazu, pomliaždenia alebo iného vážneho zranenia osôb.

USCHOVAJTE VŠETKY VÝSTRAHY A POKYNY PRE PRÍPADNÉ ĎALŠIE POUŽITIE!

Tento návod uchovávajte pri stroji pre potreby operátora.

Bezpečnosť elektrického pohonu

- **Dodržiavajte pokyny na správne používanie tohto stroja. Pred použitím elektrického pohonu si prečítajte a oboznámte sa s pokynmi a výstrahami pre všetko použité zariadenie a materiál.** Nedodržanie všetkých výstrah a pokynov môže mať za následok poškodenie majetku a/alebo vážne zranenia.
- **Pri rezaní závitú na rúru s priemerom 1" (25 mm) alebo väčším používajte podporné zariadenie na absorbovanie závitorezných síl. Použite vhodné podporné zariadenie podľa týchto pokynov.** Podporné zariadenia zlepšujú ovládanie a znižujú riziko nárazu, pomliaždenia a/alebo iných zranení.
- **Ak používate iné podporné zariadenie než podporné rameno, toto podporné zariadenie musí pôsobiť proti krytu motora.** Podporné zariadenia pôsobiace na iné súčasti môžu poškodiť súčasti stroja alebo zvýšiť riziko zranenia.
- **Vždy pevne držte elektrický pohon, keď režete závit alebo odskrutkovávate závitoreznú hlavu z rúry na absorbovanie závitorezných síl, bez ohľadu na použitie podporného zariadenia.** Toto zníži riziko nárazu, pomliaždenia alebo iných zranení.
- **Ak je poškodené tlačidlo vypínača, elektrický pohon nepoužívajte.** Tento vypínač je bezpečnostné zariadenie, ktoré vám umožňuje vypnúť motor uvoľnením vypínača.
- **Pri obsluhu strojov nenoste rukavice ani volné oblečenie. Rukávy a bundy majte vždy zapnuté. Nedočahujte predmety ponad stroj alebo rúru.** Oblečenie sa môže zachytiť do rúry alebo stroja, čo bude mať za následok zamotanie.
- **Pracovný proces a činnosť stroja musí ovládať jedna osoba.** V pracovnom priestore stroja počas činnosti sa môže nachádzať iba operátor. Toto pomáha znížiť riziko poranenia.

- **Nepoužívajte tupé ani poškodené závitnice.** Ostré rezné nástroje si vyžadujú menší krútiaci moment a elektrický pohon sa ľahšie ovláda.
- **Rukoväť udržiavajte suchú a čistú, bez zvyškov oleja a maziva.** Nástroj je tak lepšie ovládateľný.
- **Udržujte podlahu suchú a bez klzkých materiálov, ako je napríklad olej.** Klzké podlahy môžu spôsobiť úraz.
- **S elektrickým pohonom RIDGID 700 používajte len závitorezné hlavy RIDGID.** Iné závitorezné hlavy nemusia správne pasovať do elektrického pohonu, čo zvyšuje riziko poškodenia zariadenia a poranenia osôb.
- **Pri používaní nástroja pre iné aplikácie, ako sú opísané v tomto návode, použite podporné zariadenie na absorbovanie síl pôsobiacich na rukoväť.** Podporné zariadenia zlepšujú ovládanie a znižujú riziko nárazu, pomliaždenia a/alebo iných zranení.

Ak máte akékoľvek otázky, ktoré súvisia s týmto výrobkom značky RIDGID®:

- Kontaktujte svojho miestneho predajcu výrobkov RIDGID®.
- Navštívte stránku RIDGID.com, kde získate informácie o miestnom kontaktnom bode pre výrobky značky RIDGID.
- Spojte sa s oddelením technických služieb spoločnosti Ridge Tool prostredníctvom e-mailu rtctechservices@emerson.com alebo (v USA a Kanade) volajte na číslo (800) 519-3456.

Popis, technické údaje a štandardné vybavenie

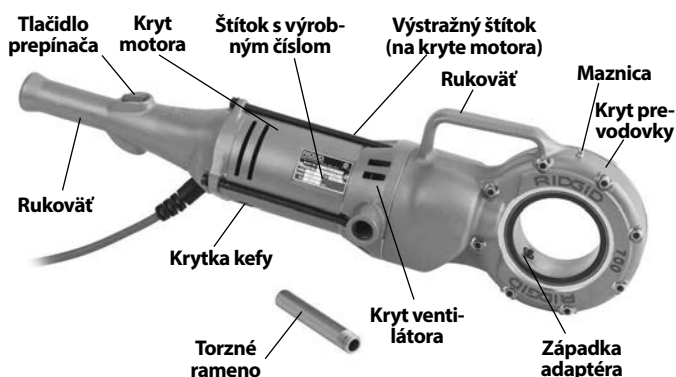
Popis

Elektrický pohon RIDGID®, model 700, je určený na poskytovanie napájania pri rezaní závitov na rúry a potrubia. Otáčanie dopredu a dozadu je možné prepínať pomocou reverzného prepínača.

Tento elektrický pohon je určený na použitie so závitoreznými hlavami RIDGID 12-R (rúry ½" – 2"). Iné závitorezné hlavy RIDGID, ako napríklad OO-R a 11-R, je možné použiť s adaptérmi.

Pri rezaní závitú na rúru s priemerom 1" alebo väčším používajte podporné zariadenie, ako napríklad podporné rameno 775 alebo masívne 14" kliešte na rúry RIDGID, na absorbovanie závitorezných síl.

Tento elektrický pohon je možné používať aj na napájanie rezačky rúry RIDGID 258 a na iné aplikácie (*pozri časť „Iné použitia“*).



Obrázok 1 – Elektrický pohon, model 700

Technické údaje

Kapacita závitovaniaRúra 1/8" až 2" (3 až 50 mm)
Skrutka 1/4" až 1" (6 až 25 mm) so závitoreznou hlavou 00-RB

Motor:

Typ.....	Univerzálny, reverzný		
Volt.....	110	120	220-240
A	13,5	13,5	6,5
Frekvencia.....	50/60 Hz	50/60 Hz	50/60 Hz
Výkon	1500	1500	1500

Prevádzková rýchlosť.....26 – 30 ot./min., bez zaťaženia

Ovládacie prvkyDvojpolohový reverzný prepínač s vratnou pružinou do polohy OFF (VYP)

Hlava prevodovkyTlakovo liaty hliník, pohon s čelnými ozubenými kolesami a redukčnou prevodovkou, pružinové západky adaptéra, prevodovka s vretenom z tvrdenej ocele

Rozmery:

Dĺžka.....	28 1/4" (717 mm)
Šírka	6 1/16" (154 mm)
Výška	7 13/16" (198 mm)
Hmotnosť.....	25 lbs. (11 kg)
Akustický tlak (L _{PA})**	98,4 dB(A), K=3
Akustický výkon (L _{WA})**	107 dB(A), K=3
Vibrácie**	2,5 m/s ² , K = 1,5

* Pozrite si štítok s výrobným číslom stroja, kde nájdete informácie o motore pre váš konkrétny stroj – dostupné sú aj iné verzie.

** Zvuk a vibrácie sa merajú v súlade so štandardizovaným testovaním podľa normy EN 62481-1.

- Úrovně vibrácií je možné použiť pre porovnanie s iným náradím a na predbežné určenie expozície.

- Emisie zvuku a vibrácií sa môžu líšiť v závislosti od vašej polohy a konkrétneho použitia tohto náradia.

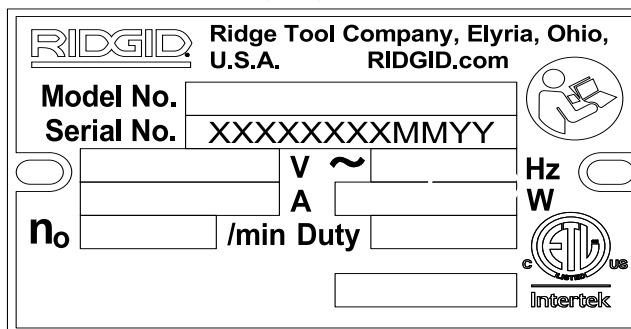
- Pri každej aplikácii treba vyhodnocovať denné úrovne expozície zvuku a vibráciám a v prípade potreby treba prijať príslušné bezpečnostné opatrenia. Pri vyhodnocovaní úrovni expozície treba zohľadniť dobu, keď je náradie vypnuté a nepoužíva sa. Takto môže dôjsť k výraznému zníženiu úrovne expozície v priebehu celkovej pracovnej doby.

Štandardné vybavenie

Elektrický pohon, model 700, sa dodáva s nasledujúcimi položkami:

- Elektrický pohon 700
- Torzné rameno
- Podporné zariadenie
- Návod na použitie

Štítok s výrobným číslom elektrického pohonu 700 je umiestnený v dolnej časti krytu motora. Posledné 4 čísla označujú mesiac a rok výroby. (12 = mesiac, 15 = rok).



Obrázok 2 – Výrobné číslo stroja

POZNÁMKA Za výber vhodných materiálov a inštalácie, metódy spojenia a tvárnenia, je zodpovedný projektant a/alebo montér systému. Výber nesprávnych materiálov a metód by mohol spôsobiť zlyhanie systému.

Počas montáže, spájania a tvarovania môže dôjsť ku kontaminácii nerezovej ocele a iných materiálov odolných voči korózii. Táto kontaminácia by mohla spôsobiť koróziu a predčasné zlyhanie materiálu. Pred akoukoľvek inštaláciou je nutné vykonať dôsledné vyhodnotenie materiálov a metód pre špecifické prevádzkové podmienky vrátane chemického pôsobenia a teploty.

Kontrola pred prevádzkou

⚠ VÝSTRAHA

Pred každým použitím skontrolujte elektrický pohon 700 a odstráňte všetky nedostatky. Znížite tým riziko vážneho zranenia v dôsledku zasiahnutia elektrickým prúdom, zranení pomliaždením a iných príčin vrátane poškodenia elektrického pohonu.

1. Uistite sa, že elektrický pohon je odpojený z elektrickej siete.
2. Elektrický pohon a podporné zariadenie vrátane rúkovače a ovládacích prvkov očistite od oleja, maziva a iných nečistôt. Tým uľahčíte kontrolu a zabránite tomu, aby sa vám z rúk vyšmykol ovládací prvok alebo stroj.
3. Pri elektrickom pohone skontrolujte nasledovné:
 - Poškodenie alebo prípadná modifikácia šnúry a zástrčky.
 - Správnosť montáže, údržba a úplnosť.
 - Poškodenie, nesprávne zarovnanie alebo zaseknutie súčastí.
 - Správnosť fungovania prepínača. skontrolujte plynulosť prevádzky bez zasekávania
 - Prítomnosť a čitateľnosť výstražných štítkov (Obrázok 3).
 - Akékoľvek ďalšie okolnosti, ktoré by mohli brániť bezpečnej a normálnej prevádzke.

Ak sa vyskytnú akékoľvek problémy, elektrický pohon a podporné zariadenie nepoužívajte, kým problémy nebudú odstránené.

4. Skontrolujte podporné rameno. Uistite sa, že upínacie zuby sú čisté a v dobrom stave. Zuby je možné čistiť drôtenou kefou.
5. Skontrolujte ostré hrany závitníc na opotrebovanie, deformácie, triesky alebo iné problémy. Tupé alebo poškodené rezné nástroje zvyšujú potrebné množstvo sily, spôsobujú nízku kvalitu závitov a zvyšujú riziko zranenia.
6. Vykonaajte kontrolu a údržbu všetkých ostatných použitých zariadení podľa ich pokynov, aby ste zaistili ich správne fungovanie.
7. Podľa pokynov v časti *Nastavenie a prevádzka* skontrolujte, či elektrický pohon správne funguje.
 - Stlačte a uvoľnite prepínač pre otáčanie DOPREDU a zopakujte pre otáčanie DOZADU, ako je to znázornené na Obrázku 3. Uistite sa, že elektrický pohon sa otáča tak, ako je to uvedené na Obrázku 3, a že príslušný prepínač ovláda prevádzku stroja.
Pred obrátením smeru tlačidlom prepínača počkajte, kým sa elektrický pohon úplne nezastaví. Zníži sa tým riziko poškodenia elektrického pohonu.
 - Stlačte a podržte tlačidlo prepínača. Skontrolujte pohyblivé časti, či nie sú nesprávne zarovnané, zaseknuté, či stroj nevydáva neobvyklé zvuky alebo či nepozorujete iný nezvyčajný stav. Uvoľnite prepínač.

Ak stroj nefunguje správne alebo ak sa vyskytnú akékoľvek nezvyčajné okolnosti, stroj nepoužívajte, kým nebude opravený.



Obrázok 3 – Poloha prepínača pre smer otáčania

8. Uvoľnite tlačidlo prepínača a suchými rukami odpojte stroj od siete.

Nastavenie a prevádzka

⚠ VÝSTRAHA



Nastavte a prevádzkujte elektrický pohon 700 podľa týchto postupov tak, aby sa znížilo riziko poranenia osôb zásahom elektrického prúdu, zamotaním, nárazom, pomliaždením a inými príčinami a aby sa znížilo riziko poškodenia elektrického pohonu.

Pri rezaní závitú na rúru s priemerom 1" (25 mm) alebo väčším používajte podporné zariadenie na absorbovanie závitorezných síl. Použite vhodné podporné zariadenie podľa týchto pokynov. Podporné zariadenia zlepšujú ovládanie a znižujú riziko nárazu, pomliaždenia a/alebo iných zranení.

Vždy pevne držte elektrický pohon, keď režete závit alebo odskrutkovávate závitoreznú hlavu z rúry na absorbovanie závitorezných síl, bez ohľadu na použitie podporného zariadenia. To zníži riziko nárazu, pomliaždenia a iných zranení.

Rúru vhodne podprite. Týmto sa zníži riziko jej spadnutia, prevrátenia a vážneho zranenia.

Nepoužívajte elektrický pohon bez správne fungujúceho tlačidla prepínača.

Pri obsluhu strojov nenoste rukavice ani voľné oblečenie. Rukávy a bundy majte vždy zapnuté. Nedočahujte predmety ponad stroj alebo rúru. Oblečenie sa môže zachytiť do rúry alebo stroja, čo bude mať za následok zamotanie.

Pracovný proces a tlačidlo prepínača musí ovládať jedna a tá istá osoba. Nikdy nesmie so zariadením pracovať viac osôb. V prípade zachytenia strojom musí operátor ovládať prepínač.

- Skontrolujte pracovisko na nasledovné:
 - Dostatočné osvetlenie.
 - Prítomnosť horľavých kvapalín, výparov alebo prachu, ktoré sa môžu vznietiť. Ak sú prítomné, nepracujte v takomto prostredí, kým nie sú identifikované zdroje možného vznietenia a kým sa neuskutoční náprava. Elektrické pohony nie sú určené do explozívneho prostredia a môžu vytvárať iskry.
 - Čisté, vodorovné, stabilné a suché miesto pre celé zariadenie a operátora.
 - Dostatočné vetranie. Nepoužívajte stroj príliš často v malých, uzavretých priestoroch.
 - Riadne zapojená elektrická zásuvka so správnym napätím. Ak máte pochybnosti, nechajte zásuvku skontrolovať licencovaným elektrikárom.
 - Čistota trasy k elektrickej zásuvke, na ktorej sa nenachádzajú žiadne zdroje možného poškodenia napájacej šnúry.
- Skontrolujte rúru, na ktorú sa má rezať závit, a príslušné armatúry. Uistite sa, že elektrický pohon 700 je tým správnym nástrojom pre danú úlohu. *Pozri Technické údaje.*

Zariadenia na iné aplikácie môžete nájsť v katalógu spoločnosti Ridge Tool, online na RIDGID.com alebo sa telefonicky spojte s oddelením technických služieb spoločnosti Ridge Tool v USA a Kanade na čísle (800) 519-3456.
- Uistite sa, že ste zariadenie dôkladne skontrolovali.
- Riadne pripravte rúru podľa vašich potrieb. Uistite sa, že rúra je rovno odrezaná a zbavená ostrín. Šikmo odrezaná rúra môže pri rezaní závitov poškodiť závitnice alebo sťažiť záber závitoreznej hlavy.
- Uistite sa, že rúra, na ktorú chcete rezať závit, je stabilná a zaistená. Počas používania tak zabránite jej prevráteniu. Na podporu celej dĺžky rúry používajte vhodné stojany na rúry.
- Skontrolujte hladinu závitorezného oleja RIDGID v olejovej masteničke RIDGID 418. Odoberte misku na triesky a uistite sa, že filtračné sito je čisté a úplne ponorené v oleji. V prípade potreby vymeňte alebo doplňte olej. Umiestnite nádobu olejovej masteničky 418 pod koniec rúry, na ktorú chcete rezať závit.

Inštalácia závitorezných hláv

- Uistite sa, že elektrický pohon je odpojený od elektrickej zásuvky.

- Zatlačte závitoreznú hlavu 12-R alebo adaptér (*pozri časť Voliteľné vybavenie*) drážkovaným zakončením kolmo do elektrického pohonu, kým pružinové západky pohonu bezpečne nezapadnú do drážok (*Obrázok 4*). Príslušnú závitoreznú hlavu alebo adaptér je možné zasunúť z ľubovoľnej strany elektrického pohonu. V niektorých prípadoch bude možno potrebné otočiť závitoreznú hlavu/adaptéry, aby západky zapadli. Adaptéry 770 a 773 musia mať v sebe nainštalovanú závitoreznú hlavu pred vložením do elektrického pohonu.
- Ak chcete závitoreznú hlavu demontovať, vytiahnite ju kolmo z elektrického pohonu. V prípade potreby použite kladivo s mäkkou plochou alebo drevený klin, ktorým vyklepte závitoreznú hlavu von. Neudierajte na závitoreznú hlavu, môže to poškodiť nástroj.



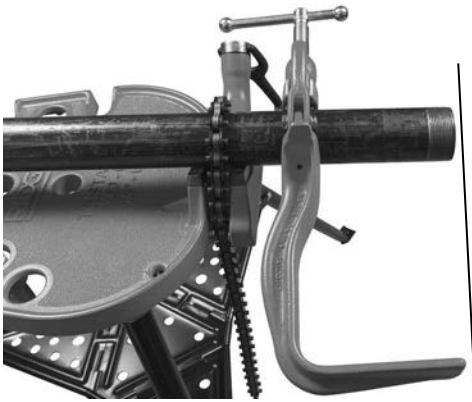
Obrázok 4 – Inštalácia závitorezných hláv do elektrického pohonu 700

Absorbovanie závitorezných síl (podporné zariadenia)

Pre pravotočivé závity sa bude hlava otáčať v smere hodinových ručičiek (pohľad na čelo závitoreznej hlavy). Sily vyvinuté závitorezným momentom budú v opačnom smere alebo proti smeru hodinových ručičiek. Pri ľavotočivých závitoch budú otáčanie a sila obrátené. Uistite sa, že podporné zariadenie je správne nastavené na absorbovanie a odolanie závitoreznej sile.

Použitie podporného ramena 775:

- Strmeňový hák podporného ramena je možné namontovať na ľubovoľnú stranu. Bezpečne utiahnite čap závesu.
- Podporné rameno umiestnite na rúru tak, aby bol koniec podporného ramena zarovnaný s koncom rúry a elektrický pohon 700 mierne nad vodorovnou úrovňou (*Obrázok 5 a 6*). Takto získate správne umiestnenie podporného ramena pre rezanie závitov a zabránite stekaniu závitorezného oleja nadol po elektrickom pohone.
- Uistite sa, že čeluste podporného ramena sú zarovnané s rúrou, a pevne utiahnite podporné rameno.



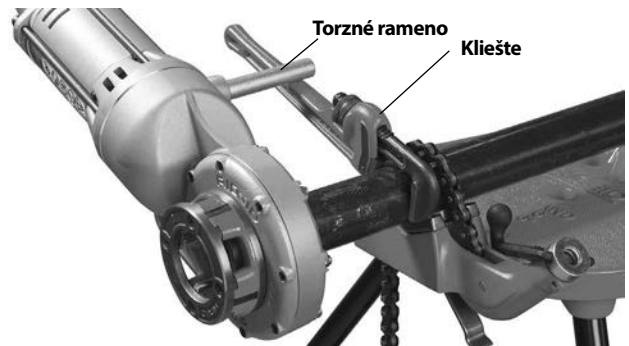
Obrázok 5 – Podporné rameno zarovnané s koncom rúry



Obrázok 6 – Umiestnené podporné rameno s elektrickým pohonom 700 mierne nad vodorovnou úrovňou

Pomocou masívnych 12", 14" alebo 18" klieští na rúry RIDGID:

1. Bezpečne namontujte torzné rameno do krytu ventilátora elektrického pohonu 700. Tiež je možné použiť 5" (127 mm) kus ½" ocelevej rúry triedy 80 s ½" NPT závitom.
2. Umiestnite masívne 12", 14" alebo 18" kliešte na rúry RIDGID približne 7" (175 mm) od konca príslušnej rúry (pozri Obrázok 7). Uistite sa, že kliešte sú pevne umiestnené a neodpadnú ani sa nepohnú.
3. Pri začatí závitú bude torzné rameno spočívať na rukoväti klieští na rúry.



Obrázok 7 – Rezanie závitú pomocou klieští na rúry a podporného ramena

Iné podporné metódy:

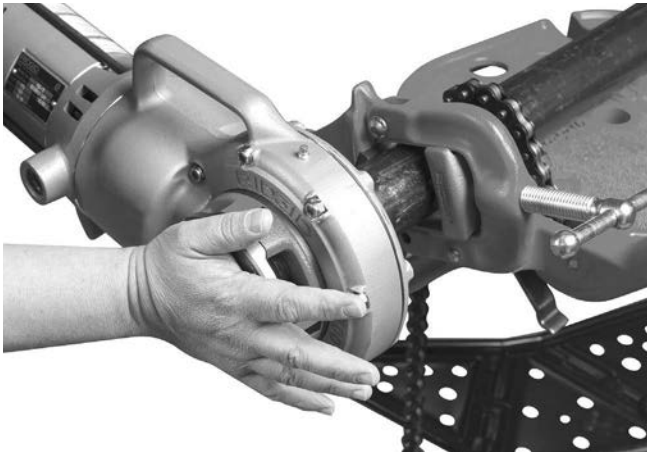
Podoprite kryt motora elektrického pohonu (pozri Obrázok 1) o susediaci konštrukčný prvok (napr. o stenu, nosník alebo trám). To si vyžaduje, aby závitovaná rúra a okolie uniesli hmotnosť nástroja a odolali závitorezným silám. Možno bude nutné pridať dočasné alebo trvalé podpery rúr alebo konštrukčné prvky na riadnu absorpciu závitorezných síl.

V prípade rúr s priemerom ¾" a menším:

Závity na rúry s menovitým priemerom ¾" a menším je možné rezať bez použitia podporného zariadenia. V takomto prípade odoláva závitorezným silám operátor. Rúra musí byť riadne zaistená, aby sa zabránilo jej otáčaniu. Vždy pevne držte elektrický pohon, keď režete závit alebo odskrutkovávate závitoreznú hlavu z rúry na absorbovanie závitorezných síl. To zníži riziko nárazu, pomliaždenia a iných zranení.

Rezanie závitov

1. Suchými rukami zapojte zástrčku elektrického pohonu do elektrickej zásuvky.
2. Umiestnite závitoreznú hlavu nad koniec rúry a podoprite elektrický pohon podľa postupu v časti Odolanie závitorezným silám. Elektrický pohon vždy opierajte o podporné zariadenie. Medzi elektrický pohon a podporné zariadenie nič neumiestňujte – zvyšuje to riziko poranení pricviknutím a pomliaždením.
3. Zaujmite správnu pracovnú polohu, aby ste pomohli zachovať kontrolu nad strojom (pozri Obrázok 9).
 - Uistite sa, že máte vyvážený postoj a nemusíte siahať príliš ďaleko.
 - Uistite sa, že máte pod kontrolou tlačidlo prepínača a stroj. Prepínač ešte nestláčajte. V núdzových prípadoch musí byť pre vás možné prepínač uvoľniť.



Obrázok 8 – Spustenie rezania závitu

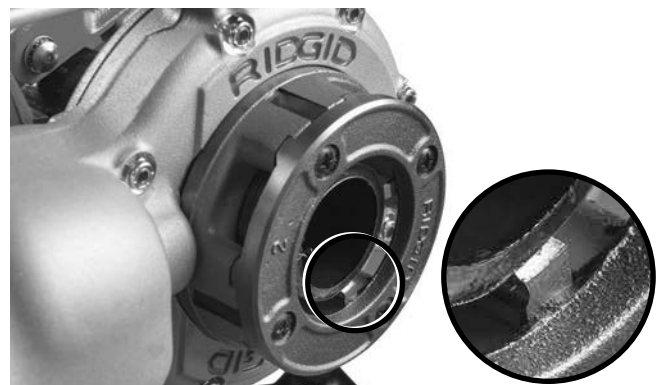
4. Aktivujte tlačidlo prepínača (pozri Obrázok 3) a súčasne tlačte proti krycej doske závitoreznej hlavy dlaňou voľnej ruky na spustenie rezania závitu (Obrázok 8). Keď tlačíte na kryciu dosku, nenoste rukavice, šperky a nepoužite ani handru – zvyšuje to riziko zamotania a zranenia. Len čo závitnice zapadnú do rúry, závity sa budú rezať, ako sa závitnice budú pohybovať smerom ku koncu rúry.

Vždy pevne držte rukoväť elektrického pohonu, aby ste odolali silám rukoväte. Podporné zariadenia sa môžu sklznúť, čím sa elektrický pohon posunie. Tlačidlo prepínača je možné kedykoľvek uvoľniť na VYPNUTIE elektrického pohonu.



Obrázok 9 – Rezanie závitu na rúru

5. Prestaňte tlačiť na kryciu dosku a z olejovej masteničky naneste hojne závitorezného oleja RIDGID do oblasti rezania závitu. To zmenší závitorezný moment, zlepší kvalitu závitu a zvýši životnosť závitnice.
6. Držte prepínač stlačený, kým nie je koniec rúry zarovno hrany závitníc (Obrázok 10). Dávajte pozor, aby elektrický pohon nenarazil do podporného zariadenia. Uvoľnite tlačidlo prepínača. Počkajte, kým sa elektrický pohon úplne nezastaví.

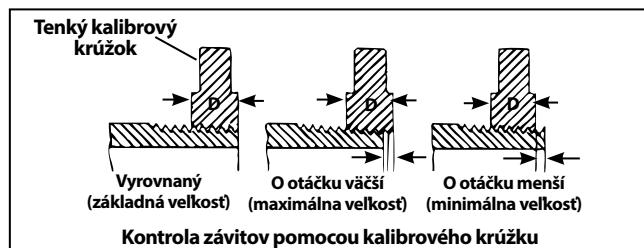


Obrázok 10 – Rúra zarovnaná s hranou závitníc

7. Aktivujte tlačidlo prepínača v smere spätného chodu na odstránenie závitoreznej hlavy z rúry so závitom. Pevne držte rukoväť elektrického pohonu, aby ste odolali silám rukoväte vyvinutým pri prelomení závitovej triesky a odskrutkovávaní závitoreznej hlavy.
8. Uvoľnite prepínač a odnítte elektrický pohon a závitoreznú hlavu z rúry.
9. Suchými rukami vytiahnite zástrčku elektrického pohonu z elektrickej zásuvky.
10. Utrite olej a úlomky zo závitov a závitoreznej hlavy. Dávajte pritom pozor, aby ste sa neporezali na ostrých úlohoch alebo hranách. Utrite všetok rozliaty olej na pracovisku.

Kontrola závitov

1. Odstráňte zo závitov všetok olej, triesky a úlomky.
2. Vizuálne skontrolujte závit. Závit by mali byť hladké a úplné, s dobrým tvarom. Ak spozorujete problémy, ako je pretrhnutie závitov, tenké závitové alebo neokružnosť rúry, závit nemusí pri skrútkovaní tesniť. Pozrite si tabuľku v časti *Riešenie problémov*, ktorá vám pomôže pri diagnostikovaní týchto záležitostí.
3. Skontrolujte veľkosť závitov. Preferovaný spôsob kontroly veľkosti závitov je pomocou kalibrového krúžku. Existujú rôzne typy kalibrových krúžkov a ich využitie sa môže líšiť od využitia zobrazeného na *Obrázku 11*.
 - Rukou pevne naskrutkujte kalibrový krúžok na závit.
 - Zistite, ako ďaleko vyčnieva koniec rúry cez kalibrový krúžok. Koniec rúry by mal byť v jednej rovine so stranou kalibrového krúžku plus/mínus jedna otáčka. Ak závit nemá správne parametre, odrežte závit, nastavte závitoreznú hlavu a vyrežte ďalší závit. Používanie závitov, ktorý nemá správne parametre, môže spôsobiť netesnosť.



Obrázok 11 – Kontrola veľkosti závitov

- Ak kalibrový krúžok nie je k dispozícii na kontrolu veľkosti závitov, je možné použiť nový čistý spojovací prvok zastupujúci spojovací prvok, ktorý sa použije na danú úlohu na meranie veľkosti závitov. Pri závitoch s priemerom 2" a pod NPT by sa mali závitovať tak, aby sa dosiahlo 4 až 5 otáčok na ručné utiahnutie s armatúrou, a pri závitoch s priemerom 2" a pod BSPT by to mali byť 3 otáčky.

Elektrický pohon 700 – Iné použitia

Tento návod obsahuje špecifické pokyny pre používanie elektrického pohonu 700 na rezanie závitov s rôznymi závitoreznými hlavami RIDGID. Pri používaní s iným zariadením RIDGID (ako napríklad s elektrickou rezačkou rúry RIDGID 258/258XL) postupujte podľa pokynov a výstrah pre správne nastavenie a použitie dodaných s týmto zariadením RIDGID.

Spoločnosť Ridge Tool nedokáže poskytnúť špecifické pokyny pre každé možné použitie elektrického pohonu 700. Používateľ musí vyhodnotiť špecifickú pracovnú situáciu a použiť osvedčené pracovné postupy a metódy. Ak máte akékoľvek pochybnosti o použití elektrického pohonu 700 na tieto iné účely, nepoužívajte ho.

Ak sa chystáte použiť elektrický pohon 700 na iné účely, dôkladne vyhodnoťte príslušnú úlohu a pripravte sa na ňu podľa nižšie uvedených všeobecných pokynov. Elektrický pohon 700 bude poskytovať vysoký krútiaci moment a príslušne vysoké sily rukoväte, ktoré môžu spôsobiť poranenia v dôsledku nárazu a pomliaždenia.

- Štvorhranný adaptér pohonu RIDGID 774 je možné použiť na prispôbenie elektrického pohonu 700 na otáčanie vonkajšieho $1\frac{5}{16}$ " štvorhranu. Adaptér bezpečne zaistíte, aby sa pri používaní neodpojil.
- Je nutné stanoviť vhodnú metódu absorbovania všetkých síl rukoväte (pozri časť „Odolanie závitorezným silám“). Sily môžu presiahnuť 1000 lbs (455 kg). Oproti krytu motora alebo krytu ventilátora elektrického pohonu 700 je možné umiestniť podporné zariadenia (*Obrázok 1*).
- Vždy opierajte elektrický pohon o podporné zariadenie – neumiestňujte časti tela medzi elektrický pohon a podporné zariadenie.
- Počas používania nesmie byť medzi elektrickým pohonom a podporným zariadením žiadny relatívny pohyb.
- Uistite sa, že príslušná aplikácia (ako napr. aktivácia alebo skúšanie ventilu) sa môže otáčať, nie je zaseknutá a že sú známe konce pojazdu. Ak sa systém počas používania zasekne alebo stuhne, sily rukoväte neočakávane a významne vzrastú alebo sa elektrický pohon začne otáčať.
- Ak nástroj používate na skúšanie alebo aktiváciu ventilov alebo iného zariadenia, postupujte podľa všetkých pokynov výrobcu. Zariadenie nepreťažujte.
- Používajte tak, aby reakčná sila elektrického pohonu 700 smerovala od používateľa.
- Elektrický pohon kedykoľvek vypnite uvoľnením tlačidla prepínača. Uistite sa, že ste schopní uvoľniť tlačidlo prepínača.

Pokyny na údržbu

⚠ VÝSTRAHA

Pred vykonaním údržby alebo akýchkoľvek nastavení sa uistite, že tlačidlo prepínača je uvoľnené a stroj je odpojený z elektrickej siete.

Údržbu nástroja vykonávajte podľa týchto postupov, aby ste znížili riziko úrazu v dôsledku zásahu elektrickým prúdom, zamotania a iných príčin.

Čistenie

- Po každom použití vyprázdňte triesky, ktoré vznikli pri rezaní závitov, z misky na triesky olejovej masteničky 418 a utrite všetky zvyšky oleja.
- Elektrický pohon vrátane rukoväte a ovládacích prvkov očistite od oleja, maziva a iných nečistôt.
- Podporné rameno očistite od oleja, maziva a iných nečistôt. V prípade potreby očistite čeluste podporného ramena drôtenou kefou.
- Odstráňte triesky a nečistoty zo závitorezných hláv.

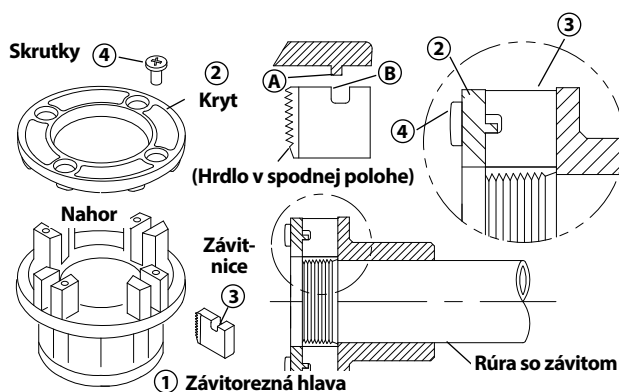
Mazanie

Pomocou mazacej pištole dopĺňajte mazivo Lithium EP (pre extrémny tlak) cez maznice umiestnené na kryte prevodovky (pozri Obrázok 1) každých 3 až 6 mesiacov v závislosti od používania stroja.

Výmena závitníc v závitorezných hlavách 12-R

Na inštaláciu do závitorezných hláv RIDGID 12-R je k dispozícii široká paleta závitníc. Dostupnosť si pozrite v katalógu.

- Odstráňte štyri skrutky (4), kryciu dosku (2) a závitnice (3) zo závitoreznej hlavy.
- Vložte nové závitnice do drážok – očíslovanou hranou (1, 2, 3, 4) nahor. Čísla na závitniciach sa musia zhodovať s číslami na drážkach závitoreznej hlavy. Závitnice vždy vymieňajte ako súpravu.
- Namontujte kryciu dosku (2) a skrutky (4) a skrutky jemne utiahnite.
- Naskrutkujte závitový koniec rúry do závitníc, kým nezačnú rezať závit. To si vynúti zastavenie na závitniciach „B“ smerom von proti oku „A“ na krycej doske a správne sa nastaví veľkosť.
- Pevne utiahnite štyri skrutky. Odnímte rúru so závitom a urobte skúšobný rez.



Obrázok 12 – Inštalácia závitníc do závitoreznej hlavy

Výmena kief v motore

Kefy motora kontrolujte každých 6 mesiacov. Vymeňte ich, keď sú opotrebované na menej ako 1/4" (6 mm).



Obrázok 13 – Inštalácia kiefy

- Odpojte stroj od napájacieho zdroja.
- Odskrutkujte kryty kief. Odnímte a skontrolujte kefy. Vymeňte ich, keď sú opotrebované na menej ako 1/4" (6 mm). Skontrolujte opotrebovanie komutátora. Ak je nadmerne opotrebovaný, dajte nástroj do servisu.
- Nainštalujte kefy späť/nainštalujte nové kefy.
- Nechajte bežať stroj 15 minút na voľnobeh v smere dopredu, následne 15 minút v spätnom chode, aby sa nové kefy pred použitím usadili na komutátore.

Voliteľné vybavenie

⚠ VÝSTRAHA

Ak chcete predísť riziku závažných poranení, používajte len vybavenie špecificky navrhnuté a odporúčané pre používanie s elektrickým pohonom 700 podľa nižšie uvedeného zoznamu.

Katalógové č.	Popis
42600	Adaptér 770 pre 00-R (1/8" – 1") a 00-RB (1/4" – 1")
42605	Adaptér 771 pre 0-R (1/8" – 1")
42610	Adaptér 772 pre 11-R (1/8" – 1 1/4")
42615	Adaptér 773 pre 111-R (1/8" – 1 1/4")
42620	Štvorhranný adaptér pohonu 774 – 1 5/16"
42625	Podporné rameno 775
46615	Torzné rameno
42950	Kovové prenosné puzdro B-171-X
10883	Olejová mastenica 418 s 1 galónom prémiového závitorezného oleja
41620	Mazací tuk pre prevodový motor

Ďalšie informácie o vybavení dostupnom pre elektrický pohon 700 špecifickom pre tento nástroj je možné nájsť v katalógu RIDGID a online na stránke RIDGID.com.

Skladovanie zariadenia

⚠ VÝSTRAHA Elektrický pohon 700 sa musí skladovať vo vnútorných priestoroch alebo v daždivom počasí dôkladne prikrytý. Stroj skladujte v uzamknutom priestore mimo dosahu detí a osôb, ktoré nie sú oboznámené so strojmi. Tento stroj môže v rukách nezaškolených používateľov spôsobiť vážne zranenie.

Servis a opravy

⚠ VÝSTRAHA

Nesprávny servis alebo opravy môžu spôsobiť, že prevádzka stroja bude nebezpečná.

V časti *Pokyny na údržbu* nájdete pokyny na vykonávanie väčšiny potrebných úkonov údržby tohto stroja. Akékoľvek problémy, ktoré nie sú popísané v tejto časti, môže vyriešiť iba technik autorizovaného servisu nástrojov RIDGID.

Nástroj je potrebné dopraviť do nezávislého autorizovaného servisného strediska spoločnosti RIDGID alebo vrátiť do výrobného závodu. Používajte len náhradné diely RIDGID.

Pre získanie informácií o najbližšom nezávislom servisnom stredisku RIDGID alebo v prípade akýchkoľvek otázok o servise a opravách:

- Kontaktujte svojho miestneho distribútora RIDGID.
- Navštívte stránku RIDGID.com, kde získate informácie o miestnom kontaktnom bode pre výrobky značky RIDGID.
- Spojte sa s oddelením technických služieb spoločnosti Ridge Tool prostredníctvom e-mailu rtctechservices@emerson.com alebo (v USA a Kanade) volajte na číslo (800) 519-3456.

Informácie o závitoreznom oleji

Prečítajte si a dodržiavajte všetky pokyny uvedené na štítku a v Karte bezpečnostných údajov (SDS) závitorezného oleja. Konkrétne informácie o závitoreznom oleji značky RIDGID, vrátane určenia nebezpečenstva, spôsobu poskytovania prvej pomoci, protipožiarnych opatrení, opatrení na zabránenie výskytu nehôd, manipulácie a skladovania, osobných ochranných prostriedkov, likvidácie a prepravy, sú uvedené na nádobe a v Karte bezpečnostných údajov (SDS). Karta bezpečnostných údajov (SDS) je k dispozícii na stránke RIDGID.com alebo ju môžete získať od Oddelenia technických služieb spoločnosti Ridge Tool na čísle (800) 519-3456 (v USA a Kanade), prípadne cez adresu rtctechservices@emerson.com.

Likvidácia

Súčiastky elektrického pohonu 700 obsahujú hodnotné materiály a dajú sa recyklovať. Vo svojom okolí určite nájdete firmy, ktoré sa špecializujú na recykláciu. Všetky komponenty zlikvidujte v súlade s príslušnými nariadeniami. Ak potrebujete viac informácií, obráťte sa na váš miestny úrad, ktorý riadi odpadové hospodárstvo.



Pre krajiny ES: Elektrické zariadenia nevyhadzujte spolu s domovým odpadom!

V súlade s Európskou smernicou 2012/19/EÚ o odpade z elektrických a elektronických zariadení a jej implementáciou do štátnej legislatívy sa musia elektrické zariadenia, ktoré nie je možné ďalej používať, zbierať a likvidovať oddelene, a to správnym spôsobom, ktorý neohrozuje životné prostredie.

Riešenie problémov

PROBLÉM	MOŽNÉ PRÍČINY	RIEŠENIE
Stroj sa nechce spustiť.	Kefy sa nedotýkajú armatúry.	Skontrolujte kefy a vymeňte ich, ak sú opotrebované.
Stroj nedokáže rezať závit.	Tupé závitnice. Preťaženie v dôsledku strhnutých alebo neokrúhlych závitov. Nízka kvalita alebo nedostatok závitorezného oleja. Nedostatočné sieťové napätie.	Vymeňte závitnice. Možné príčiny nájdete nižšie. Použite dostatočné množstvo závitorezného oleja RIDGID. Skontrolujte napájacie napätie.
Tenké závit.	Nedostatočný kontakt medzi kefami a komutátorom Kefy sa nedotýkajú komutátora správne. Kefy od iného výrobcu. Nové kefy.	Utiahnutím krytiel kief zaistíte pevné pritlačenie kief na komutátor. Vymeňte opotrebované kefy a/alebo armatúru. Používajte iba kefy RIDGID. Usaďte kefy spustením stroja na 15 minút na voľnobeh v smere dopredu a dozadu.
Závitorezná hlava nezačne rezať závit.	Závitorezná hlava nie je kolmo na koniec rúry. Sila záberu nesprávne vyvinutá na závitoreznú hlavu. Koniec rúry odrezaný šikmo. Tupé alebo zlomené závitnice. Stroj beží nesprávnym smerom. Závitnice nesprávne nastavené v závitoreznej hlave.	Zatlačením na kryciu dosku závitoreznej hlavy spustíte rezanie závit. Vyviňte silu záberu cez os rúry. Odrežte koniec rúry rovno. Vymeňte závitnice. Spustite stroj správnym smerom. Zaistite, aby boli závitnice nastavené smerom von proti okám krycej dosky.
Strhnuté závit.	Poškodené, odštípené alebo opotrebované závitnice. Nevhodný závitorezný olej alebo jeho nedostatočné množstvo. Nesprávny typ závitnice pre materiál. Zlý materiál/kvalita rúry.	Vymeňte závitnice. Použite dostatočné množstvo závitorezného oleja RIDGID®. Vyberte vysokootáčkové závitnice z nehrdzavejúcej ocele alebo zliatiny pre aplikáciu. Použite kvalitnejšiu rúru.
Neokrúhle alebo stlačené závit.	Príliš tenká hrúbka steny rúry.	Použite triedu 40 alebo väčšiu hrúbku steny.
Podporné zariadenie sa počas rezania závitú otáča.	Čeluste podporného ramena sú znečistené. Podporné rameno je nesprávne zarovnané. Podporné rameno nie je tesné.	Vyčistite ich drôtenou kefou. Zarovnajzte podporné rameno kolmo na rúru. Utiahnite vodiacu skrutku.
Tenké závit.	Závitnice sú v nesprávnom poradí.	Umiestnite závitnice do správnej drážky závitoreznej hlavy.

Clupă electrică

700



⚠️ AVERTIZARE!

Citiți cu atenție acest manual de exploatare înainte de a utiliza această mașină-unelte. Neînțelegerea și nerespectarea conținutului acestui manual poate cauza electrocutări, incendii și/sau vătămări personale grave.

700 Clupă electrică

Înregistrați numărul de serie de mai jos și rețineți numărul de serie al produsului care este localizat pe plăcuța de identificare.

Nr.
serie

--

Cuprins

Formular de înregistrare pentru numărul de serie al mașinii	209
Simboluri de siguranță	211
Avertizări generale privind siguranța mașinilor-unelte electrice	211
Siguranța în zona de lucru	211
Siguranța din punct de vedere electric	211
Siguranța individuală.....	212
Utilizarea și întreținerea mașinilor-unelte electrice	212
Service	212
Informații specifice privind siguranța	213
Siguranța clupelor electrice.....	213
Descriere, specificații și echipament standard	213
Descriere	213
Specificații	214
Echipament standard.....	214
Inspekția înainte de utilizare	214
Inițializare și exploatare	215
Montarea capetelor-filieră.....	216
Rezistența la forțele de filetare	216
Filetare	217
Inspectarea filetelor.....	219
700 Clupă electrică – Alte utilizări	219
Instrucțiuni de întreținere	220
Curățare	220
Lubrifiere	220
Schimbarea cuțitelor-filieră în capetele filieră 12-R.....	220
Înlocuirea periiilor în motor.....	221
Echipeamente opționale	221
Depozitarea mașinii	221
Service și reparații	221
Informații privind uleiul de filetare	221
Depanare	222
Dezafectare	222
Declarație de conformitate CE	Interior copertă spate
Garanție pe viață	Coperta din spate

*Traducere a instrucțiunilor originale

Simboluri de siguranță

În acest manual de exploatare și pe produs, simbolurile de siguranță și cuvintele de semnalizare sunt utilizate pentru a comunica informații importante privind siguranța. Acest capitol este prevăzut pentru a înțelege mai bine aceste cuvinte și simboluri de semnalizare.



Acesta este un simbol de avertizare privind siguranța. Este folosit pentru a avertizare asupra pericolelor potențiale de vătămare personală. Respectați toate mesajele de siguranță care urmează după acest simbol, pentru a evita posibilele vătămări sau deces.

▲ PERICOL

PERICOL indică o situație periculoasă care dacă nu este evitată, cauzează deces sau vătămări grave.

▲ AVERTIZARE

AVERTIZARE indică o situație periculoasă care dacă nu este evitată, poate cauza deces sau vătămări grave.

▲ PRECAUȚIE

PRECAUȚIE indică o situație periculoasă care, dacă nu este evitată, ar putea cauza accidentări minore sau moderate.

NOTĂ

NOTĂ indică informații referitoare la protejarea proprietății.



Acest simbol înseamnă că trebuie să citiți cu atenție manualul de exploatare înainte de a utiliza echipamentul. Manualul de exploatare conține informații importante referitoare la exploatarea sigură și corectă a echipamentului.



Acest simbol înseamnă că trebuie să purtați întotdeauna ochelari de protecție cu apărători laterale sau ochelari-mască atunci când manevrați sau utilizați acest echipament pentru a reduce riscul vătămării ochilor.



Acest simbol indică riscul de prindere a degetelor, mâinilor, hainelor și altor obiecte pe sau între pinioane sau alte piese rotative, cauzând accidentări prin strivire.



Acest simbol indică riscul de electrocutare.



Acest simbol indică faptul că dispozitivul se poate răsturna, cauzând răni prin lovire sau strivire.



Acest simbol înseamnă să nu purtați mănuși în timp ce acționați această mașină, pentru a reduce riscul de prindere.



Acest simbol înseamnă că întotdeauna trebuie utilizat dispozitivul de rezem pentru a opune rezistență la forțele de filetare, a mări controlul și a reduce riscul de lovire, strivire sau alte vătămări.

Avertizări generale privind siguranța mașinilor-unelte electrice*

▲ AVERTIZARE

Citiți și înțelegeți toate instrucțiunile. Nerespectarea tuturor instrucțiunilor prezentate mai jos poate cauza electrocutări, incendii și/sau accidentări grave.

PĂSTRAȚI TOATE AVERTIZĂRILE ȘI INSTRUȚIUNILE PENTRU CONSULTARE ULTERIOARĂ!

Termenul „mașină-unelă electrică” din avertizări se referă la mașina-unelă electrică alimentată de la rețeaua electrică (cablată) sau mașina-unelă electrică alimentată de la acumulator (necablată).

Siguranța în zona de lucru

- **Mențineți zona de lucru curată și bine luminată.** Zonele aglomerate sau întunecoase favorizează accidentele.
- **Nu acționați echipamentele electrice în medii explozive, cum ar fi în prezența lichidelor, gazelor sau prafurilor inflamabile.** Mașinile-unelte electrice produc scânteii care pot aprinde praful sau vaporii.

- **Țineți copiii și spectatorii la distanță în timpul operării unei mașini-unelte electrice.** Distragerea atenției poate cauza pierderea controlului.

Siguranța din punct de vedere electric

- **Ștecherile mașinilor-unelte electrice trebuie să se potrivească prizelor. Nu modificați niciodată ștecherul în nici un fel. Nu utilizați ștechere adaptoare la mașinile-unelte electrice prevăzute cu împământare (legate la pământ). Dispozitivele cu împământare trebuie bransate la o priză montată și împământată corespunzător în conformitate cu toate codurile și reglementările. Nu demontați niciodată știftul de împământare și nu modificați ștecherul în niciun fel. Dacă aveți dubii asupra corectitudinii împământării prizei, solicitați părerea unui electrician calificat. Ștecherile nemodificate și prizele potrivite vor reduce riscul de electrocutare.**
- **Evitați contactul corpului cu suprafețe legate la pământ sau instalația de împământare, cum sunt conductele, radiatoarele, aragazele sau frigidererele.** Există un risc sporit de electrocutare în cazul în care corpul dvs. vine în contact cu pământul sau cu instalația de împământare.
- **Nu expuneți mașinile-unelte electrice la ploaie sau la condiții de umezeală.** Pătrunderea apei într-un echipament electric va spori riscul de electrocutare.

* Textul utilizat în capitolul Avertizări generale privind siguranța mașinilor-unelte electrice al acestui manual este conform cerințelor, redarea cuvânt cu cuvânt a standardului aplicabil UL/CSA 62841-ediția1. Acest capitol conține practici de siguranță generală pentru o multitudine de tipuri diferite de mașini unelte electrice. Nu fiecare prevedere se aplică fiecărei unelte, și unele nu se aplică acestei unelte.

- **Nu maltratați cablul de alimentare. Nu utilizați niciodată cablul pentru a transporta unealta sau pentru a trage ștecherul din priză. Feriți cablul de alimentare de căldură, ulei, muchii ascuțite sau piese în mișcare. Înlocuiți imediat cablurile deteriorate.** Cablurile de alimentare deteriorate sau încălcite sporesc riscul de electrocutare.
- **Când operați o mașină-unealtă electrică în exterior, folosiți un cablu prelungitor adecvat pentru utilizare în exterior, marcat "W-A" sau "W".** Utilizarea unui cablu potrivit pentru utilizarea în exterior reduce pericolul de electrocutare.
- **Dacă utilizarea unei mașini-unelte electrice într-un loc umed nu poate fi evitată, utilizați o sursă de alimentare protejată printr-un întrerupător de siguranță sensibil la defect de împământare (GFCI).** Utilizarea unui GFCI reduce pericolul de electrocutare.

Siguranța individuală

- **Fiți atent, concentrați-vă la ceea ce faceți și folosiți bunul simț când operați o mașină-unealtă electrică. Nu utilizați o mașină-unealtă electrică când sunteți obosit sau sub influența drogurilor, a alcoolului sau a medicamentelor.** Un moment de neatenție în timpul operării mașinilor-unelte electrice poate avea drept rezultat vătămări grave.
- **Utilizați echipamentul individual de protecție. Purtați întotdeauna protecție pentru ochi.** Echipamentul de protecție, precum masca anti-praf, pantofii de protecție antiderapanți, casca sau antifoanele, folosite în condiții adecvate, reduc riscul de vătămare.
- **Preveniți pornirea neintenționată. Asigurați-vă că întrerupătorul-comutator mașinii-unelte este în poziția OFF (OPRIT) înainte de conectarea acesteia la o sursă de alimentare și/sau baterie, precum și înainte de ridicarea sau transportarea sa.** Transportarea mașinilor-unelte electrice cu degetul pe întrerupătorul-comutator sau racordarea la rețea a mașinilor-unelte electrice cu întrerupătorul în poziția pornit provoacă accidente.
- **Îndepărtați orice cheie de reglare sau cheie fixă înainte de a porni mașina-unealtă electrică.** O cheie fixă sau o cheie lăsată atașată la o piesă rotativă a mașinii-unelte electrice poate avea ca rezultat vătămări personale.
- **Nu vă dezechilibrați. Mențineți-vă permanent sprijinul adecvat pe sol și echilibrul.** Reazemul și echilibrul adecvat oferă un control mai bun al mașinii-unelte în situații neașteptate.
- **Îmbrăcați-vă adecvat. Nu purtați haine largi sau bijuterii. Feriți-vă părul, îmbrăcămintea și mânușile de piesele în mișcare.** Hainele largi, bijuteriile sau părul lung pot fi prinse în piesele în mișcare.

- **Dacă aparatele sunt prevăzute cu racorduri pentru dispozitive de extragere și colectare a prafului, asigurați-vă că acestea sunt racordate și utilizate corespunzător.** Colectarea prafului poate reduce pericolele provocate de acesta.

Utilizarea și întreținerea mașinilor-unelte electrice

- **Nu forțați mașinile-unelte electrice. Folosiți mașina-unealtă potrivită pentru aplicație.** Mașina-unealtă potrivită va funcționa mai bine și mai sigur la performanța pentru care a fost concepută.
- **Nu utilizați mașina-unealtă electrică dacă întrerupătorul-comutator nu o pornește (ON) sau nu o oprește (OFF).** Orice mașină-unealtă electrică care nu poate fi controlată de la întrerupătorul-comutator este periculoasă și trebuie reparată.
- **Decuplați ștecherul de la sursa de alimentare și/sau scoateți pachetul de baterii, dacă este detașabil, de la mașina-unealtă înainte de a efectua orice fel de reglaje, schimbarea accesoriilor sau depozitarea mașinilor-unelte.** Aceste măsuri preventive de siguranță reduc riscul pornirii accidentale a mașinilor-unelte electrice.
- **Nu lăsați mașinile-unelte electrice inactive la îndemâna copiilor și nu permiteți persoanelor nefamiliarizate cu mașina-unealtă electrică sau cu aceste instrucțiuni să o acționeze.** Mașinile-unelte electrice sunt periculoase în mâinile utilizatorilor neinstruiți.
- **Întrețineți mașinile-unelte. Depistați nealinierea sau blocarea pieselor în mișcare, deteriorarea componentelor și orice alte stări care ar putea afecta exploatarea mașinilor-unelte electrice. Dacă este avariată, duceți mașina-unealtă electrică la reparat înainte de a o utiliza.** Numeroase accidente sunt cauzate de mașini-unelte electrice incorect întreținute.
- **Mențineți sculele tăietoare ascuțite și curate.** Sculele tăietoare întreținute corespunzător, cu muchii tăietoare ascuțite sunt mai puțin expuse la blocare și sunt mai ușor de operat.
- **Utilizați mașina-unealtă electrică, accesoriile și piesele, etc. în conformitate cu aceste instrucțiuni, ținând cont de condițiile de lucru și de munca ce trebuie efectuată.** Utilizarea mașinii-unelte electrice pentru operațiuni diferite de cele pentru care este destinată poate duce la situații periculoase.

Service

- **Încredințați pentru service mașina-unealtă electrică a dvs. unei persoane calificate pentru reparații, utilizând numai piese de schimb identice.** Aceasta va asigura menținerea siguranței în exploatarea a mașinii-unelte electrice.

Informații specifice privind siguranța

⚠️ AVERTIZARE

Acest capitol conține informații importante despre siguranță, specifice acestei mașini-unelte.

Citiți aceste avertizări cu atenție înainte de utiliza clupa electrică 700, pentru a reduce riscul de electrocutare, lovire, strivire sau alte vătămări personale grave.

PĂSTRAȚI TOATE AVERTIZĂRILE ȘI INSTRUȚIUNILE PENTRU CONSULTARE ULTERIOARĂ!

Păstrați acest manual în același loc cu mașina în vederea utilizării de către operator.

Siguranța clupelor electrice

- **Respectați instrucțiunile pentru utilizare corectă a mașinii. Citiți și înțelegeți instrucțiunile și avertizările pentru întreg echipamentul și toate materialele utilizate înainte de a opera clupa electrică.** Nerespectarea tuturor avertismentelor și instrucțiunilor poate cauza pagube materiale și/sau accidente grave.
- **Atunci când filetați 1" (25mm) sau țevi mai mari, utilizați un dispozitiv de reazem pentru a rezista la forțele de filetare. Utilizați un dispozitiv de reazem adecvat conform acestor instrucțiuni.** Dispozitivele de reazem îmbunătățesc controlul și reduc riscurile de lovire, strivire și/sau alte vătămări.
- **Atunci când utilizați alt dispozitiv de reazem decât brațul de reazem furnizat, dispozitivul de reazem trebuie să reacționeze împotriva carcasei motorului.** Dispozitivele de reazem care ating alte componente pot deteriora aceste piese sau crește riscul de vătămare.
- **Întotdeauna țineți ferm clupa electrică atunci când filetați sau retrageți capul-filieră de pe țevă pentru a rezista la forțe, indiferent de dispozitivul de reazem utilizat.** Aceasta va reduce riscul de lovire, strivire și alte modalități de vătămare.
- **Nu utilizați această clupă electrică dacă întrerupătorul ON/OFF (PORNIT/OPRIT) este stricat.** Acest întrerupător-comutator este un dispozitiv de siguranță care vă permite să opriți motorul atunci când eliberați întrerupătorul.
- **Nu purtați mănuși sau îmbrăcăminte largă când lucrați la mașini. Țineți mâncile și jachetele încheiate. Nu vă aplecați peste mașină sau peste țevă.** Îmbrăcăminte poate fi agățată de mașină cauzând prinderea.

- **O singură persoană trebuie să conducă procesul de lucru și operarea mașinii.** Atunci când mașina funcționează, numai operatorul are voie să se găsească în zona de lucru. Aceasta ajută la reducerea riscului de vătămare.
- **Nu folosiți filiere tocite sau deteriorate.** Sculele ascuțite de tăiere necesită un moment mai mic și clupa electrică este mai ușor de operat.
- **Mențineți mânerul uscat și curat, lipsite de ulei și vaselină.** Astfel se realizează controlul mai bun al mașinii-unelte.
- **Mențineți pardoselile uscate și fără materiale alunecoase, cum ar fi uleiul.** Podelele alunecoase provoacă accidente.
- **Utilizați doar capete filiere RIDGID împreună cu clupele electrice RIDGID 700; Alte capete filieră pot să nu se potrivească corect în clupa electrică și astfel cresc riscul de deteriorare a echipamentului sau de vătămare personală.**
- **Când utilizați pentru alte aplicații decât cele descrise în acest manual, folosiți un dispozitiv de reazem pentru a rezista la forțele de manipulare.** Dispozitivele de reazem îmbunătățesc controlul și reduc riscurile de lovire, strivire și/sau alte vătămări.

Dacă aveți întrebări privind acest produs RIDGID®:

- Contactați distribuitorul local RIDGID®.
- Pentru a vedea datele de contact ale distribuitorului RIDGID, accesați RIDGID.com.
- Contactați departamentul tehnic de service Ridge Tool Technical Service Department la rtctechservices@emerson.com sau în SUA și Canada apelați (800) 519-3456.

Descriere, specificații și echipament standard

Descriere

Modelul de clupă electrică RIDGID® 700 Power Drive este proiectat să furnizeze energie pentru filetarea țevilor și conductelor. Mișcările de rotație înainte și înapoi pot fi selectate cu un întrerupător-comutator reversibil.

Clupa electrică este proiectată pentru a utiliza capete filieră RIDGID 12-R (țevi 1/8" – 2"). Alte capete-filieră RIDGID cum sunt OO-R și 11-R pot fi utilizate cu adaptoare.

Atunci când filetați țevi de 1" sau mai mari, este necesar un dispozitiv de reazem, ca de exemplu Nr. 775 braț de sprijin sau o cheie de țevi pentru sarcini grele RIDGID 14" pentru a rezista la forțele de filetare.

Clupa electrică poate fi utilizată de asemenea pentru a acționa Tăietorul de țevi RIDGID 258 și alte aplicații, (vezi "Alte utilizări").

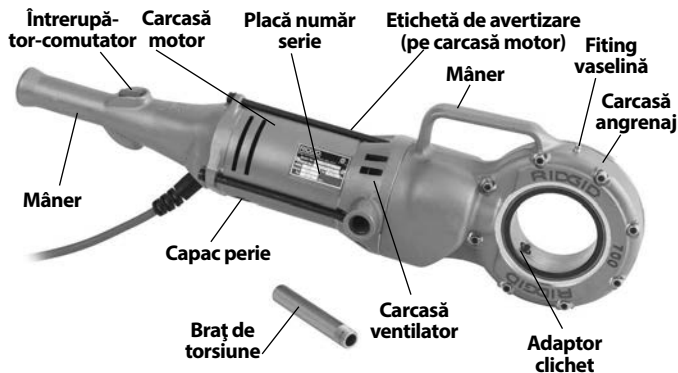


Figura 1 – Clupă electrică model 700

Specificații

Capacitate filetare Țeavă 1/8" până la 2"
(3 până la 50 mm)
Șurub 1/4" până la 1" (6 până la 25 mm) cu cap filieră 00-RB

Motor:

Tip Universal, Reversibil
Volți 110 120 220-240
Amperi 13,5 13,5 6,5
Frecvență 50/60 Hz 50/60 Hz 50/60 Hz
Pornire 1500 1500 1500

Turație de funcționare: 26 - 30 RPM, fără sarcină

Comenzi Înterupător-comutator reversibil cu dublu efect cu rapel cu arc în poziția OFF (DECONNECTAT)

Cap reductor Aluminii turnat în matriță, reductor frontal cu angrenaj cu dinți drepți, clichet adaptor cu arc, arbore reductor din oțel călit

Dimensiuni:

Lungime 28 1/4" (717 mm)
Lățime 6 1/16" (154 mm)
Înălțime 7 13/16" (198 mm)
Greutate 25 lbs. (11 kg)

Presiunea sonoră (L_{PA})** 98,4 dB(A), K=3

Puterea sonoră (L_{WA})** 107 dB(A), K=3

Vibrație** 2,5 m/s², K=1,5

* Vedeți plăcuța cu numărul de serie al mașinii dumneavoastră pentru informații privind motorul specifice mașinii – Alte versiuni sunt disponibile.

** Măsurătorile de sunet și vibrații sunt efectuate în conformitate cu un test definit prin Standardul EN 62481-1.

- Nivelurile de vibrații pot fi utilizate pentru comparare cu alte unelte și pentru evaluarea preliminară a expunerii.

- Emisiile sonore și de vibrații pot să varieze cu localizarea și utilizarea specifică a acestor unelte.

- Nivelurile de expunere zilnică pentru sunet și vibrații trebuie evaluate pentru fiecare aplicație și trebuie adoptate măsuri corespunzătoare de siguranță când este necesar. Evaluarea nivelurilor de expunere trebuie să considere timpul în care uneltele este deconectată și nu este utilizată. Acesta poate reduce semnificativ nivelul de expunere pe toată perioada de lucru.

Echipment standard

Clupa electrică model 700 este livrată cu următoarele articole:

- Clupă electrică 700
- Braț de torsiune
- Dispozitiv de reazem
- Manual de exploatare

Numărul de serie al mașinii pentru clupa electrică 700 este amplasat la partea inferioară a carcasei motorului. Ultimele 4 cifre indică luna și anul fabricației. (12 = luna, 15 = anul).

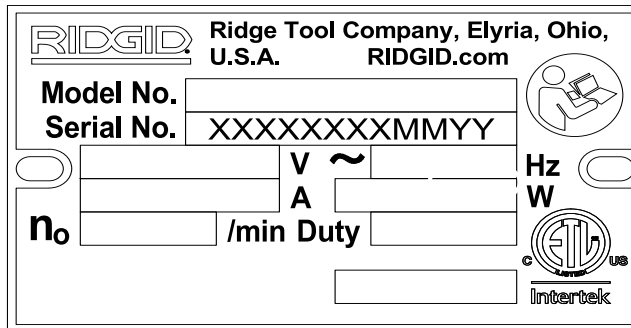


Figura 2 – Seria mașinii

NOTĂ Selecția materialelor adecvate și a metodelor de, instalare, îmbinare și fasonare este responsabilitatea proiectantului sistemului și/sau a instalatorului. Selecția unor materiale și metode necorespunzătoare poate cauza defectarea sistemului.

Oțelul inoxidabil și alte materiale rezistente la coroziune pot fi contaminate în timpul instalării, îmbinării și fasonării. Această contaminare poate cauza corodare și defectare prematură. Înainte de orice tentativă de instalare, trebuie efectuată o evaluare atentă a materialelor și metodelor pentru condițiile specifice de serviciu, inclusiv cele chimice și de temperatură.

Inspecția înainte de utilizare

⚠️ AVERTIZARE



Înainte fiecărei utilizări, verificați clupa electrică 700 și remediați orice problemă pentru a reduce riscul de vătămare gravă de la electrocutare, strivire sau alte cauze și pentru a preveni deteriorarea clupei electrice.

1. Asigurați-vă că clupa electrică nu este conectată la rețea.
2. Curățați clupa electrică de orice urmă de ulei, vaselină sau impurități incluzând mânerul și comenzile. Aceasta facilitează inspecția și ajută la prevenirea alunecării din prindere a mașinii sau comenzilor.
3. Verificați clupa electrică pentru următoarele:
 - Deteriorarea sau modificări ale cablului de alimentare și a prizei.
 - Asamblare corectă, întreținere și integritate.
 - Piese deteriorate, prost aliniate sau gripate.
 - Funcționarea corectă a întrerupătorului-comutator. Asigurați-vă că își execută ciclurile lin și fără blocare.
 - Prezența și lizibilitatea etichetelor de avertizare (Figura 3).
 - Orice altă stare care ar putea împiedica exploatarea normală și în condiții de siguranță.

Dacă se constată probleme, nu utilizați clupa electrică sau dispozitivul suport până ce acestea nu sunt remediate.

4. Verificați brațul de reazem. Asigurați-vă că dinții de prindere sunt curați și în stare bună. Dinții pot fi curățați cu o perie de sârmă.
5. Verificați marginile tăietoare al filierelor la uzură, deformare, ciobire sau alte situații. Uneltele de așchiere tocite sau deteriorate măresc forța necesară, produc filete de calitate proastă și sporesc riscul de accidentare.
6. Verificați și întrețineți orice alt echipament utilizat conform instrucțiunilor sale, pentru a asigura corectă lui funcționare.
7. Urmând instrucțiunile de *inițializare și exploatare* verificați clupa electrică la funcționare corectă.
 - Apăsați și eliberați întrerupătorul-comutator pentru rotația ÎNAINTE și repetați pentru rotația ÎNAPOI, așa cum se arată în Figura 3. Asigurați că clupa electrică rotește în sensul indicat în Figura 3 și că întrerupătorul-comutator comandă operarea mașinii.

Lăsați clupa electrică să se oprească complet înainte de a inversa sensul de la întrerupătorul-comutator. Aceasta va reduce riscul de deteriorare a clupe electrice.

- Apăsați și mențineți întrerupătorul-comutator. Inspectați componentele mobile, să nu fie nealiniate, blocate, să nu producă zgomote ciudate sau să nu existe condiții neobișnuite. Eliberați întrerupătorul-comutator.

Dacă descoperiți condiții neobișnuite, nu utilizați mașina până când nu a fost reparată.

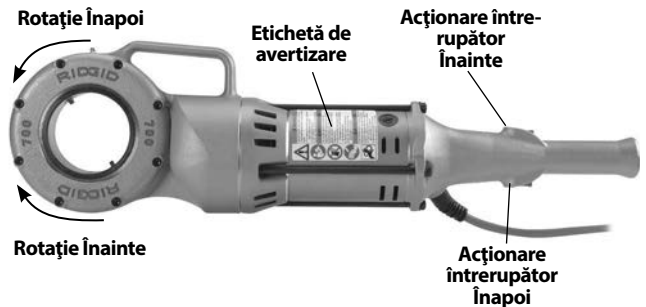


Figura 3 – Poziția comutatorului pentru sensul de rotație

8. Eliberați întrerupătorul-comutator și deconectați mașina cu mâinile uscate.

Inițializare și exploatare

⚠️ AVERTIZARE



Pregătiți și exploatați clupa electrică 700 conform acestor proceduri pentru a reduce riscul de vătămări cauzate de electrocutări, prinderi, loviri, strivire și alte cauze și pentru a ajuta prevenirea deteriorării clupe electrice.

Atunci când filetați țevi de 1" (25 mm) sau mai mari, utilizați un dispozitiv de reazem pentru a rezista la forțele de filetare. Utilizați un dispozitiv de reazem adecvat conform acestor instrucțiuni. Dispozitivele de reazem îmbunătățesc controlul și reduc riscurile de lovire, strivire și/sau alte vătămări.

Întotdeauna țineți ferm clupa electrică atunci când filetați sau retrageți capul-filieră de pe țevă pentru a rezista la forțe, indiferent de dispozitivul de reazem utilizat. Aceasta va reduce riscul de lovire, strivire și alte modalități de vătămare.

Rezemați corect țeava. Aceasta va reduce riscul de cădere, strivire a țevii și a vătămarilor grave.

Nu utilizați o clupă electrică fără un întrerupător-comutator ON/OFF care funcționează corect.

Nu purtați mănuși sau îmbrăcăminte largă când lucrați la mașini. Țineți mânecile și jachetele

încheiate. Nu vă aplecați peste mașină sau peste țevă. Îmbrăcămintea poate fi agățată de mașină cauzând prinderea.

Atât procesul de lucru, cât și întrerupătorul-comutator trebuie controlate de o singură persoană. A nu opera mai multe persoane simultan. În caz de încălzire, operatorul trebuie să aibă control asupra întrerupătorului-comutator.

1. Verificați zona de lucru pentru:
 - Iluminare adecvată.
 - Lichide inflamabile, vapori sau pulberi care se pot aprinde. Dacă sunt prezente, nu lucrați în zonă până când nu au fost identificate sursele și remediate. Clupele electrice nu sunt proiectate anti explozie și pot cauza scântei.
 - Un loc curat, plan, stabil, uscat pentru întregul echipament și operator.
 - Bună ventilare. Nu utilizați în mod extensiv în zone mici, închise.
 - Priză de tensiune corectă, împământată corespunzător. Dacă aveți dubii, cereți unui electrician autorizat să verifice priza.
 - O cale liberă de acces la priză care nu prezintă surse potențiale de deteriorare a cordonului de alimentare.
2. Verificați țevă de filetat și fittingurile aferente pentru a confirma că este corectă clupa electrică 700 pentru lucrare. *Vezi specificațiile.*

Echipamente pentru alte aplicații pot fi găsite în catalogul de scule Ridge Tool catalog, online la www.RIDGID.com sau prin apelarea serviciului tehnic Ridge Tool Technical Service în SUA și Canada la (800) 519-3456

3. Asigurați-vă că echipamentul ce este folosit a fost corect verificat.
4. Pregătiți țevă corect așa cum este necesar. Asigurați-vă că țevă este debitată perpendicular și debavurată. Tăierea țevii în unghi poate deteriora filierele în timpul filetării sau să cauzeze dificultăți la angajarea capului-filieră.
5. Asigurați-vă că țevă de filetat este stabilă și asigurată pentru a preveni bascularea în timpul utilizării. Utilizați standuri de țevă adecvate pentru a susține lungimea țevii.
6. Verificați nivelul uleiului de filetare RIDGID Thread Cutting Oil în gresorul RIDGID 418. Îndepărtați tava de șpan și vă asigurați că sita filtrului este curată și complet imersă în ulei. Dacă este necesar înlocuiți sau completați uleiul. Amplasați găleata gresorului 418 sub capătul țevii de filetat.

Montarea capetelor-filieră

1. Asigurați-vă că clupa electrică nu este conectată la priza de rețea.
2. Împingeți capul-filieră 12-R sau adaptorul (*Consultați Echipamente opționale*), mai întâi fusul canelat, perpendicular în clupa electrică până când clicheții cu arc cuplează în caneluri. (*Figura 4*). Capul-filieră sau adaptorul pot fi introduse pe orice parte a clupei electrice. În unele cazuri capetele-filieră/adaptoarele trebuie rotite pentru a se cupla clicheții. Adaptoarele 770 și 773 trebuie să aibă montat capul-filieră înainte de introducerea în clupa electrică.
3. Pentru îndepărtare trageți capul-filieră din clupa electrică. Dacă este necesar folosiți un ciocan de plastic sau un bloc de lemn pentru a extrage prin batere capul-filieră. Nu forțați capul-filieră, în acest fel puteți deteriora mașina-unealtă.



Figura 4 – Montarea capetelor filieră în clupa electrică 700

Rezistența la forțele de filetare (dispozitive de reazem)

Pentru filetări pe dreapta, capul-filieră se va roti în sens orar (privind din față capul filierei). Forțele dezvoltate de momentul de filetare vor fi în direcția opusă sau sens anti-orar. Rotirea și forța se vor inversa pentru filete pe stânga. Asigurați-vă că dispozitivul de reazem este pregătit pentru a prelua corect forța de filetare.

Utilizarea articolului Nr. 775 Braț reazem:

1. Cârligul etrierului brațului de reazem poate fi montat pe oricare parte. Strângeți ferm șurubul balamalei.
2. Amplasați brațul de reazem pe țevă astfel încât capătul brațului de reazem să se alinieze cu capătul țevii și clupa electrică 700 să fie ușor orizontală (*Figura 5 și 6*). În acest fel se așează corespunzător brațul suport pentru filetare și previne scurgerea uleiului de filetare în clupa electrică.
3. Asigurați-vă că bacurile brațului suport sunt aliniate perpendicular și strângeți sigur brațul de reazem.

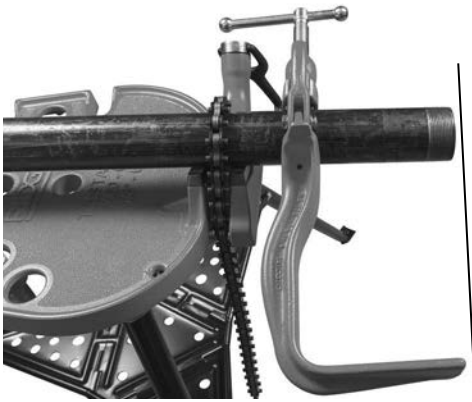


Figura 5 – Braț de reazem aliniat cu capătul de țevă



Figura 6 – Brațul de reazem poziționat cu clupa electrică 700 ușor deasupra orizontalei

Folosirea unei chei de țevi pentru sarcini grele RIDGID 12", 14" sau 18":

1. Montați sigur brațul de torsiune în carcasa ventilatorului a clupei electrice 700. Se poate folosi de asemenea o țevă de oțel lungă de 5" (127 mm) de 1/2" specificația 80 cu un filet 1/2" NPT.
2. Poziționați cheia de țevi pentru sarcini grele RIDGID 12", 14" sau 18" aproximativ la 7" (175 mm) de la capătul țevii (Vezi Figura 7). Verificați prinderea sigură a cheii, să nu se miște sau să nu cadă.
3. Când porniți filetarea, brațul de torsiune se așează pe mânerul cheii de țevi.

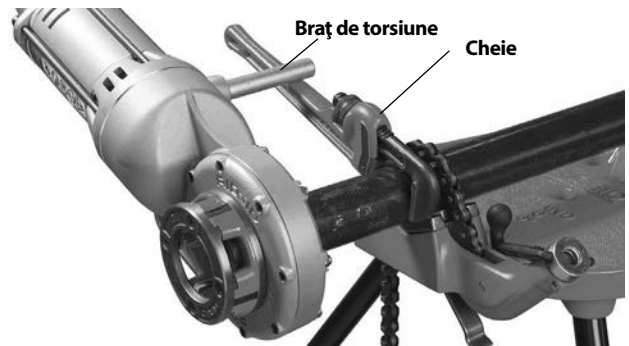


Figura 7 – Filetarea prin utilizarea unei chei de țevi ca braț de reazem

Alte metode de reazem:

Plasați carcasa motorului clupei electrice (vezi Figura 1) lângă un element de structură alăturat (exemplul include pereți, ferme, grinzi). Aceasta necesită ca țevă care s filetează și elementele adiacente să poată rezista la greutatea mașinii-unelte și forțele de filetare. S-ar putea să fie necesar să adăugați temporar sau permanent reazeme pentru țevă sau elemente de structură care să reziste corespunzător la forțele de filetare.

Pentru țevi de diametru 3/4" sau mai mic:

Țevile de 3/4" și de dimensiuni nominale mai mici pot fi filetate fără utilizarea unui dispozitiv de reazem. În acest caz operatorul opune rezistență la forțele de filetare. Țeava trebuie să fie corect asigurată pentru a preveni rotirea. Întotdeauna țineți ferm clupa electrică atunci când filetați sau retrageți capul-filieră de pe țevă, pentru a opune rezistență forțelor. Aceasta va reduce riscul de lovire, strivire și alte modalități de vătămare.

Filetare

1. Conectați clupa electrică la priza de rețea având mâinile uscate.
2. Poziționați capul-filieră deasupra capătului țevii și rezemați clupa electrică așa cum se indică în Secțiunea Forțe de filetare rezistente. Întotdeauna sprijiniți clupa electrică pe dispozitivul de reazem. Nu plasați nimic între clupa electrică și dispozitivul de reazem – aceasta ar crește pericolul de vătămare prin strângere și strivire.
3. Poziționați-vă corect pentru lucru pentru a vă asigura controlul asupra mașinii (vezi Figura 9).
 - Aveți grijă să aveți un echilibru bun și să nu fie nevoie să vă înclinați exagerat.
 - Aveți grijă să controlați în permanență întrerupătorul-comutator și mașina. Încă nu eliberați întrerupătorul-comutator. În caz de urgență trebuie să fiți capabil să eliberați întrerupătorul-comutator .

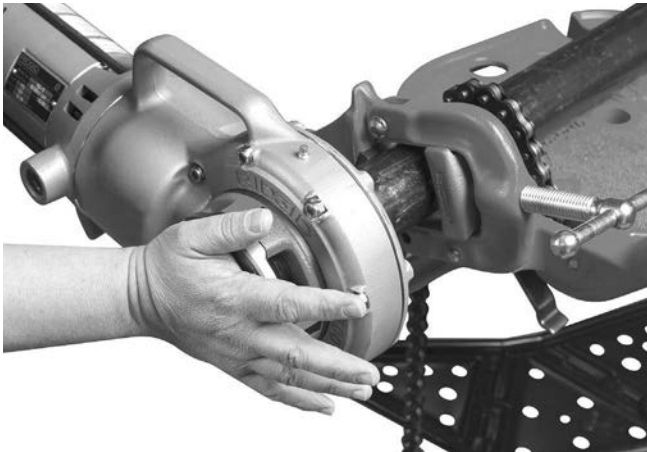


Figura 8 – Pornirea filetării

4. Acționați simultan întrerupătorul-comutator ON/OFF (vezi Figura 3) și împingeți în placa de acoperire a capului-filieră cu palma mâinii libere, pentru a porni filetarea (Figura 8). Nu purtați mănuși, bijuterii sau utilizați o lavetă în timp ce împingeți pe placa de acoperire – aceasta crește riscul de prindere și vătămare. Odată ce cuțitele filierei se angajează în țeavă, filetele sunt tăiate pe măsură ce filierele se trag spre capătul țevii.

Întotdeauna țineți ferm mânerul clupei electrice pentru a face față la forțele de manevrare. Dispozitivele de reazem pot aluneca și astfel să lase clupa electrică să se deplaseze. Întrerupătorul-comutator poate fi eliberat în orice moment pentru a OPRI clupa electrică.



Figura 9 – Țeavă de filetat

5. Opriți împingerea în placa de acoperire și utilizați un gătorul pentru a aplica o cantitate consistentă de ulei pentru filetare RIDGID Thread Cutting Oil pe suprafața care urmează a fi filetată. Aceasta va scădea momentul de filetare, va îmbunătăți calitatea filetării și crește durata de viață a filierei.
6. Țineți apăsat întrerupătorul-comutator până când capătul țevii este la nivel cu marginea cuțitelor-filieră (Figura 10). Controlați ca să vă asigurați cu nu intră clupa electrică în dispozitivul de reazem. Eliberați întrerupătorul-comutator. Lăsați clupa electrică să ajungă la o oprire completă.

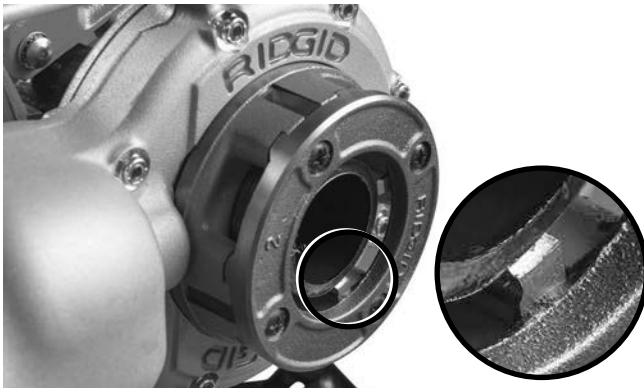


Figura 10 – Țeava la nivel cu marginea filierelor

7. Acționați întrerupătorul-comutator în sens invers pentru a îndepărta capul-filieră de la țeava filetată. Țineți ferm de mânerul clupe electrice pentru a opune rezistență forțelor generate la ruperea șpanului din filetare și retragerea capului-filieră.
8. Eliberați întrerupătorul-comutator și detașați clupa și capul-filieră de pe țeavă.
9. Decuplați clupa electrică cu mâinile uscate.
10. Ștergeți uleiul și reziduurile de la filetare din capul-filieră, având grijă să nu vă tăiați în resturile sau muchiile ascuțite. Curățați orice picătură de ulei vărsată în zona de lucru.

Inspectarea filetelor

1. Îndepărtați orice rest de ulei, șpan sau reziduuri de pe filet.
2. Verificați vizual filetul. Filetele trebuie să fie netede și complete cu o formă bună. Dacă apar probleme cum ar fi ruperea spirei filetelor, spire subțiri sau necircularitate a țevii, este posibil ca filetul să nu etanșeze când este asamblat. Consultați "Diagrama de depanare" pentru ajutor în diagnosticarea acestor probleme.
3. Verificați dimensiunea filetelor. Metoda preferată a verificării dimensiunii filetelor este un calibrul inelar. Există diferite tipuri de calibre inelare și utilizarea lor poate diferi față de ce este arătat în Figura 11.
 - Însurubați calibrul inel pe filet prin strângere manuală.
 - Vedeți cât iese capătul țevii filetate prin calibrul inel. Capătul țevii trebuie să fie la nivel cu suprafața laterală a calibrului plus sau minus o tură. Dacă filetul nu corespunde cu calibrul, debitați filetul, ajustați capul filieră și tăiați un nou filet. Utilizarea unui filet care nu corespunde toleranțelor corecte poate cauza scurgeri.

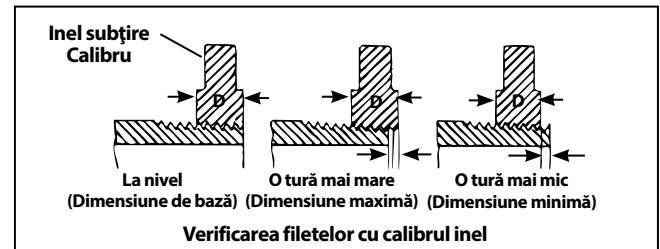


Figura 11 – Verificarea dimensiunii filetelor

- Dacă nu este disponibil un calibrul inel pentru a verifica dimensiunea filetelor, este posibil să utilizați un fitting curat nou reprezentativ pentru cele care sunt folosite la lucrare, pentru calibrarea dimensiunii filetelor. Pentru filete 2" și sub standard NPT, filetele trebuie astfel tăiate încât să se obțină 4 până la 5 ture de angajare prin strângere manuală cu fittingul, iar pentru filetele 2" sub standard BSPT trebuie să fie 3 ture.

700 Clupă electrică – Alte utilizări

Acest manual cuprinde instrucțiuni specifice pentru utilizarea clupe electrice 700 pentru a fileta cu diferite capete de filetare RIDGID. Când este utilizată cu alte echipamente RIDGID (cum ar fi dispozitivul de tăiere mecanică țevi RIDGID 258/258XL), urmați instrucțiunile și avertizările furnizate cu respectivul echipament RIDGID privind inițializarea și utilizarea corespunzătoare.

Ridge Tool nu poate furniza instrucțiuni specifice pentru orice utilizare posibilă a clupe electrice 700. Utilizatorul trebuie să evalueze scenariul de lucru specific și să folosească bunele practici și metode. Dacă există orice îndoială referitoare la utilizarea clupe electrice 700 pentru aceste alte utilizări, nu o utilizați.

Dacă utilizați clupa electrică 700 pentru alte scopuri, evaluați și pregătiți-vă cu atenție pentru lucru pe baza reglementărilor generale de mai jos. Clupa electrică 700 generează forțe înalte de torsiune și forțe de manipulare înalte corespunzătoare, care pot cauza vătămări prin lovire și strivire.

- Adaptorul cap de antrenare pătrat RIDGID 774 poate fi utilizat pentru adaptarea clupe electrice 700 să antreneze un fus pătrat 1 $\frac{5}{16}$ ". Atașați sigur adaptorul pentru a evita detașarea în timpul utilizării.
- Trebuie adoptate măsuri adecvate pentru a rezista la toate forțele de manevrare (Consultați secțiunea "Rezistența la forțele de manevrare"). Forțele pot depăși 1000 lbs (455 kg). Se pot amplasa dispozitive de reazem pe carcasa motorului sau carcasa ventilatorului ale clupe electrice 700 (Figura 1)).

- Întotdeauna sprijiniți clupa electrică pe dispozitivul de reazem. – nu puneți părți ale corpului între clupa electrică și dispozitivul de reazem.
- În timpul utilizării nu trebuie să existe mișcare relativă între clupa electrică și dispozitivul de reazem.
- Asigurați-vă că aplicația (cum ar fi operarea sau acționarea unei supape) se poate roti liber, nu este gripată și se cunoaște capătul cursei. Dacă sistemul se gripează sau se rigidizează în timpul utilizării forțele de manipulare cresc subit și semnificativ sau clupa electrică se poate roti.
- Dacă se folosește pentru acționarea sau operarea unor supape sau altor echipamente, respectați toate instrucțiunile producătorului de echipamente. Nu suprasolicitați echipamentul.
- Folosiți astfel încât forțele de reacție ale clupei electrice 700 să o împingă pe aceasta în sens opus utilizatorului.
- Întrerupătorul-comutator poate fi eliberat în orice moment pentru a deconecta clupa electrică. Asigurați-vă că sunteți în măsură să eliberați întrerupătorul-comutator.

Instrucțiuni de întreținere

⚠ AVERTIZARE

Asigurați-vă că întrerupătorul-comutator este eliberat și că mașina este debransată înainte de a efectua orice activități de întreținere sau reglaje.

Întrețineți mașina-unealtă conform acestor proceduri pentru a reduce riscul de vătămări prin electrocutare, prinderi sau alte cauze.

Curățare

1. După fiecare utilizare goliți șpanul de filetare din tava gresorului 418 și ștergeți orice reziduu de ulei.
2. Ștergeți orice reziduu de ulei, vaselină, șpan sau impurități de pe clupa electrică, inclusiv mânere și comenzi.
3. Ștergeți orice reziduu de ulei, vaselină sau impuritate de pe brațul de reazem. Dacă este necesar, curățați bacurile brațului de reazem cu o perie de sârmă.
4. Îndepărtați șpanul și murdăria de pe capetele filierei.

Lubrifiere

Utilizați pompa de gresare pentru a adăuga vaselină Lithium EP (presiune extremă) prin fittingurile de gresare prevăzute pe carcasa angrenajului (vezi Figura 1) la fiecare 3 sau 6 luni, în funcție de utilizarea mașinii.

Schimbarea cuțitelor-filieră în capetele filieră 12-R

O varietate de cuțite-filieră este disponibilă pentru montare în capetele-filieră RIDGID 12-R. *Vezi în catalog pentru disponibilitate.*

1. Îndepărtați cele patru șuruburi (4), placa de acoperire (2) și cuțitele-filieră (3) de la capul-filieră.
2. Introduceți cuțite-filieră noi în fante, numerotate spre margine (1,2,3,4). Numerele de pe cuțitele-filieră trebuie să corespundă cu cele de pe fantele capului-filieră. Întotdeauna înlocuiți setul complet de cuțite-filieră.
3. Montați placa de acoperire (2) și șuruburile (4) și strângeți ușor șuruburile.
4. Înșurubați un capăt de țeavă filetată în cuțitele-filieră înainte de a începe filetarea. Aceste forțe opresc cuțitele-filieră "B" spre exterior în bosajele "A" de pe placa de acoperire și setează corect dimensiunea.
5. Strângeți ferm cele patru șuruburi. Îndepărtați țeava filetată și executați o aşchiere de testare.

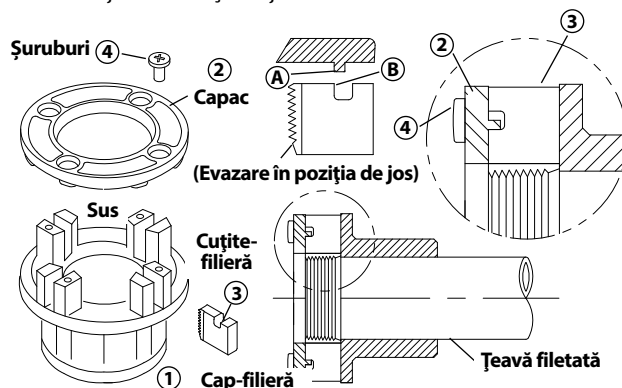


Figura 12 – Montarea cuțitelor-filieră în capul-filieră

Înlocuirea periiilor în motor

Verificați periile motorului la fiecare 6 luni. Le înlocuiți când sunt uzate la mai puțin de ¼" (6 mm).



Figura 13 – Montare perii

1. Deconectați mașina de la sursa de putere.
2. Deșurubați capacele periiilor. Detașați și verificați periile. Le înlocuiți când sunt uzate la mai puțin de ¼" (6 mm). Examinați colectorul rotorului pentru uzură. Dacă este uzat excesiv, trimiteți mașina-unealtă la service.
3. Montați la loc periile/Montați perii noi.
4. Lăsați să funcționeze în gol mașina timp de 15 minute în sensul înainte urmat de 15 minute în sensul înapoi pentru a roda periile la colectorul rotorului înainte de utilizare.

Echipamente opționale

⚠ AVERTIZARE

Pentru a scădea riscul de vătămare utilizați la clupa electrică 700 doar echipamentul proiectat pentru ea și recomandat pentru utilizare, precum cel listat mai jos.

Nr. catalog	Descriere
42600	770 Adaptor pentru 00-R (½" – 1") și 00-RB (¼" – 1")
42605	771 Adaptor pentru 0-R (½" – 1")
42610	772 Adaptor pentru 11-R (½" – 1¼")
42615	773 Adaptor pentru 111-R (½" – 1¼")
42620	774 Adaptor cap de antrenare pătrat – 15/16"
42625	775 Braț reazem
46615	Braț de torsiune
42950	B-171-X Cutie de metal pentru transport
10883	418 Gresor cu 1 gallon de ulei de filetare Premium
41620	Unsoare pentru angrenaj de motor

Mai multe informații referitoare la echipamentul disponibil pentru clupa electrică 700 specific pentru unealta electrică pot fi găsite în catalogul RIDGID și online la RIDGID.com.

Depozitarea mașinii

⚠ AVERTIZARE Clupa electrică 700 trebuie păstrată în interior sau bine acoperită pe vreme ploioasă. Păstrați mașina într-o zonă închisă, ferită de accesul copiilor și al persoanelor nefamiliarizate cu mașinile. Mașina poate cauza vătămări grave în mâinile utilizatorilor neinstruiți.

Service și reparații

⚠ AVERTIZARE

Un service sau o reparație incorect executate pot face mașina nesigură pentru utilizare.

Instrucțiunile de întreținere vor aborda majoritatea cerințelor de service ale acestei mașini. Orice problemă care nu este abordată în acest capitol trebuie rezolvată numai de un tehnician de service autorizat RIDGID.

Mașina-unealtă trebuie dusă la un Centru de service independent autorizat RIDGID sau returnată la fabrică. Utilizați numai piese de schimb RIDGID.

Pentru informații privind cel mai apropiat centru de service independent RIDGID sau pentru orice întrebări referitoare la lucrările de service sau reparații:

- Contactați distribuitorul local RIDGID.
- Pentru a vedea datele de contact ale distribuitorului RIDGID, accesați RIDGID.com.
- Contactați departamentul tehnic de service Ridge Tool Technical Service Department la rtctechservices@emerson.com, sau apelați în S.U.A. și Canada (800) 519-3456.

Informații privind uleiul de filetare

Citiți și respectați toate instrucțiunile de pe eticheta uleiului de filetare și fișa datelor tehnice de securitate (SDS). Informații specifice despre uleiurile de filetare RIDGID, inclusiv identificarea pericolelor, primul ajutor, prevenirea și combaterea incendiilor, măsuri în caz de eliberare accidentală în mediu, manipulare și depozitare, echipamentul individual de protecție, evacuare ca deșeu și transport sunt incluse pe container și în SDS. SDS este disponibil la www.RIDGID.com sau prin contactarea Ridge Tool Technical Service Department (Departamentul tehnic de service) la (800) 519-3456 pentru SUA și Canada sau rtctechservices@emerson.com.

Dezafectare

Componentele cupei electrice 700 conțin materiale valoroase și pot fi reciclate. Există companii specializate în reciclare care pot avea reprezentanțe locale. Dezafecțați componentele în conformitate cu toate reglementările în vigoare. Pentru informații suplimentare contactați autoritățile locale de gestionare a deșeurilor.



Pentru țările CE: Nu aruncați echipamentele electrice împreună cu deșeurile menajere!

În conformitate cu Directiva Europeană 2012/19/UE privind deșeurile de echipamente electrice și electronice, și transpunerea acesteia în legislația națională, echipamentele electrice care nu mai pot fi folosite trebuie colectate și reciclate într-un mod nepoluant.

Depanare

PROBLEMĂ	CAUZE POSIBILE	REZOLVARE
Mașina nu funcționează.	Periile nu ating rotorul.	Verificați periile, înlocuiți-le dacă sunt uzate.
Mașina nu este capabilă să fileteze.	Filiere tocite.	Înlocuiți filierele.
	Suprasolicitare datorită filetelor deformatate sau necirculare.	Vezi mai jos posibilele cauze.
	Ulei de filetare de calitate slabă sau insuficient.	Utilizați Ulei de filetare RIDGID® în cantitate adecvată.
	Tensiunea de rețea insuficientă.	Verificați tensiunea de alimentare.
Filete subțiri.	Contact insuficient între perii și colector	Strângeți capacele periilor pentru a asigura că periile sunt presate sigur pe colectorul rotorului.
	Periile nu ating corect colectorul rotorului.	Înlocuiți periile uzate și sau rotorul.
	Perii de diferite fabricații.	Utilizați doar perii RIDGID.
	Perii noi.	Rodați periile prin funcționarea mașinii în gol timp de 15 minute înainte și înapoi.

Depanare (continuare)

<p>Capul-filieră nu începe să fileteze.</p>	<p>Capul-filieră nu este perpendicular pe capătul țevii.</p> <p>Nu este aplicată corespunzător forța de angajare pe capul-filieră.</p> <p>Capătul țevii nu este debitat perpendicular.</p> <p>Filiere boante sau rupte.</p> <p>Mașina funcționează în sensul greșit.</p> <p>Set de cuțite-filieră necorespunzător în capul-filieră.</p>	<p>Apăsați placa de acoperire a capului-filieră pentru a începe filetarea.</p> <p>Aplicați forța de angajare prin axa centrală a țevii.</p> <p>Debitați capătul țevii perpendicular.</p> <p>Înlocuiți filierele.</p> <p>Rulați mașina sensul corect.</p> <p>Aveți grijă la cuțitele-filieră să fie așezate în afară spre bosajele plăcii de acoperire.</p>
<p>Filete deformate.</p>	<p>Filiere deteriorate, ciobite sau uzate.</p> <p>Ulei de filetare inadecvat sau insuficient.</p> <p>Tip incorect de cuțit-filieră pentru material.</p> <p>Calitate/material slab de țevă.</p>	<p>Înlocuiți cuțitele-filieră.</p> <p>Utilizați numai ulei de filetare RIDGID în cantitate adecvată.</p> <p>Selectați cuțite-filiere din oțel rapid, inoxidabil sau aliaj care sunt adecvate pentru aplicație.</p> <p>Utilizați țevi de calitate mai ridicată.</p>
<p>Filete necirculare sau strivite.</p>	<p>Grosimea peretelui țevii prea subțire.</p>	<p>Utilizați țevi cu grosimea peretelui conform specificației 40 sau pereți mai groși.</p>
<p>Dispozitivul de reazem se rotește în timpul filetării.</p>	<p>Bacurile brațului de rezemare murdare.</p> <p>Brațul de reazem nu este aliniat corect.</p> <p>Brațul de reazem nu este strâns.</p>	<p>Curățați cu peria de sârmă.</p> <p>Aliniați brațul de reazem vertical față de țevă.</p> <p>Strângeți șurubul de avans.</p>
<p>Filete subțiri.</p>	<p>Cuțitele-filieră nu sunt poziționate corect.</p>	<p>Așezați cuțitele-filieră în fantele corespunzătoare ale capului-filieră.</p>

Motoros hajtóegység

700



⚠ FIGYELMEZTETÉS!

A berendezés használata előtt figyelmesen olvassa el ezt az útmutatót. A figyelmeztetések és utasítások meg nem értése és be nem tartása áramütést, tüzet és/vagy súlyos sérülést okozhat.

700 sorozatú motoros hajtóegység

Jegyezze fel és őrizze meg alább a sorozatszámot, melyet az adattáblán talál meg.

Sorozat-sz.

--	--

Tartalomjegyzék

A berendezés sorozatszámának rögzítésére szolgáló rész	225
Biztonsági szimbólumok	227
A szerszámgepekre vonatkozó általános biztonsági figyelmeztetések	227
A munkaterület biztonsága	227
Elektromos biztonság	227
Személyes biztonság	228
A szerszám gép használata és karbantartása	228
Szerviz	228
Különleges biztonsági információk	229
A motoros hajtóegység biztonsága	229
Leírás, műszaki adatok és alapfelszereltség	229
Ismertetés	229
Műszaki adatok	230
Alapfelszereltség	230
Használat előtti ellenőrzés	230
Beállítás és üzemeltetés	231
Menetvágó fejek felszerelése	232
Menetvágási erők ellentartása (kitámasztó eszközök)	232
Menetvágó szerszámok	233
Menetek ellenőrzése	235
700 sorozatú motoros hajtóegység – Egyéb alkalmazások	235
Karbantartási útmutató	236
Tisztítás	236
Kenés	236
12-R menetvágó fejek menetvágóinak cseréje	236
Kefék cseréje a motorban	236
Opcionális felszereltség	237
A gép tárolása	237
Szerviz és javítás	237
Menetvágó olajra vonatkozó információk	237
Hibaelhárítás	238
Ártalmatlanítás	238
EK megfelelőségi nyilatkozat	Hátsó borító belseje
Örökgarancia	Hátsó borító

* Eredeti használati utasítás fordítása

Biztonsági szimbólumok

Az üzemeltetési útmutatóban és a terméken szereplő biztonsági szimbólumok és jelzőszavak fontos biztonsági információk közlésére szolgálnak. Ez a rész ezen szimbólumok és jelzőszavak megértését segíti.



Ez a biztonsági figyelmeztető szimbólum. A szimbólum a lehetséges személyi sérülés kockázatára hívja fel a figyelmet. Az esetleges sérülések vagy halál elkerülésének érdekében tartsa be a szimbólumot követő biztonsági üzeneteket.

⚠ VESZÉLY

A VESZÉLY szó olyan kockázatos helyzetet jelöl, melyet ha nem kerülnek el, halállal vagy komoly sérülésekkel jár.

⚠ FIGYELMEZTETÉS

A FIGYELMEZTETÉS szó olyan kockázatos helyzetet jelöl, melyet ha nem kerülnek el, halállal, vagy komoly sérülésekkel járhat.

⚠ VIGYÁZAT

A VIGYÁZAT szó olyan kockázatos helyzetet jelöl, mely kisebb, mérsékelt sérülésekkel járhat.

MEGJEGYZÉS

A MEGJEGYZÉS szó a vagyontárgyak védelmével kapcsolatos információkat jelöli.



Ez a szimbólum azt jelenti, hogy figyelmesen olvassa el az üzemeltetési útmutatót a készülék használata előtt. A kezelési útmutató fontos információkat tartalmaz a készülék biztonságos és megfelelő használatával kapcsolatban.



Ez a szimbólum azt jelenti, hogy a szemsérülések elkerülésének érdekében mindig viseljen oldalárnyékolóval ellátott védőszemüveget vagy szemvédőt, amikor kezeli vagy használja a készüléket.



E szimbólum arra figyelmeztet, hogy a fogaskerekek és egyéb forgó részek becsíphetik az ujjakat, kezeket, ruházatot és egyébeket, és zúzós sérülést okozhatnak.



Ez a szimbólum áramütés kockázatát jelöli.



Ez a szimbólum a gép felborulásának veszélyét jelzi, ami ütési vagy zúzódási sérülést okozhat.



Ez a szimbólum azt jelzi, hogy a gép működtetése során ne viseljen kesztyűt, csökkentendő a beakadás veszélyét.



Ez a szimbólum azt jelenti, hogy a menetvágási erőlelöntartása, az irányíthatóság javítása és a sérülések elkerülése érdekében mindig kötelező kitémasztó eszközt használni.

A szerszámgépekre vonatkozó általános biztonsági figyelmeztetések*

⚠ FIGYELMEZTETÉS

Minden utasítást olvasson el. Az utasítások be nem tartása áramütést, tüzet és/vagy súlyos sérülést eredményezhet.

MINDEN FIGYELMEZTETÉST ÉS UTASÍTÁST ŐRIZZEN MEG A KÉSŐBBIEKRE!

A figyelmeztetéseken a „szerszámgép” kifejezés az Ön hálózati áramforrásról működő (vezetékes) vagy akkumulátoros működésű (vezeték nélküli) szerszámgépére vonatkozik.

A munkaterület biztonsága

- **A munkakörnyezetet tartsa tisztán, és biztosítsa a megfelelő megvilágítást.** A zsúfolt vagy sötét helyek vonzzák a baleseteket.
- **Ne működtesse a szerszámgépeket robbanásveszélyes környezetben, például gyúlékony folyadékok, gázok vagy por jelenlétében.** A szerszámgépek szikrái begyűjthetik a porokat és gőzöket.

- **A szerszámgépek használata során tartsa távol a gyermekeket és az ott tartózkodókat.** Figyelmének elvonása esetén elvesztheti ellenőrzését a készülék fölött.

Elektromos biztonság

- **A szerszámgép dugaszának illeszkednie kell az aljzatba. Semmilyen módon ne módosítsa a dugaszt. Földelt szerszámgéppel ne használjon csatlakozó-adaptert. A földelt szerszámokat előírászerűen telepített, és az előírásoknak megfelelően földelt aljzathoz kell csatlakoztatni. Soha ne távolítsa el a földelővillát, és ne módosítsa semmilyen módon a dugaszt. Ellenőriztesse szakképzett villanyszerelővel, ha kétségei vannak afelől, hogy az aljzat megfelelően van-e földelve. A módosítatlan dugasz és a megfelelő aljzat csökkenti az áramütés kockázatát.**
- **Kerülje az érintkezést a földelt felületekkel (pl. cső, fűtőttest, tűzhely, hűtő stb.).** Nagyobb a veszélye az áramütésnek, ha a teste le van földelve.
- **Óvja a szerszámgépeket az eső vagy nedvesség hatásától.** A gépbe jutó víz növeli az áramütés kockázatát.
- **A csatlakozósinórt kíméletesen használja. Soha ne a vezetéknel fogva szállítsa a szerszámot, és ne a vezetéknel fogva húzza ki a dugaszt az aljzataból. Óvja**

* A jelen kézikönyv Szerszámgépekre vonatkozó általános biztonsági figyelmeztetések c. fejezetében leírt szöveg az előírásoknak megfelelően az UL/CSA 62841-1 kiadású szabvány szó szerinti kivonata. E fejezet számos különböző típusú szerszámgéphez tartalmaz általános biztonsági gyakorlatokat. Nem mindegyik óvintézkedés vonatkozik mindegyik szerszámra; egyes leírt óvintézkedések esetleg erre a szerszámra nem vonatkoznak.

a zsinórt a melegtől, olajtól, élektől és mozgó alkatrészekről. Azonnal cserélje ki a megsérült vezetékét. A kábel sérülése vagy összegabalyodása növeli az áramütés kockázatát.

- **Ha a szerszámgépet kültéren használja, akkor kizárólag kültéri alkalmazáshoz megfelelő, "W-A" vagy "W" jelzéssel ellátott hosszabbító kábelt szabad igénybe venni.** A kültérre alkalmas kábellel csökkenthető az áramütés veszélye.
- **Ha a szerszámgépet feltétlenül nedves helyen kell használni, alkalmazzon életvédelmi relét (GFCI) a táplálás védelme érdekében.** Az életvédelmi relé használatával csökkenthető az áramütés kockázata.

Személyes biztonság

- **Legyen elővigyázatos, figyeljen oda a munkára, és megfontoltan használja a szerszámgépet.** Ne használja a szerszámgépet fáradtan, illetve gyógyszer, alkohol vagy kábítószer hatása alatt. A szerszámgépek működése során egy pillanatnyi figyelmetlenség is súlyos személyi sérülést okozhat.
- **Használjon személyi védőfelszerelést. Mindig viseljen szemvédőt.** A körülményeknek megfelelő védőfelszerelés, például porszűrő maszk, csúszásmentes biztonsági lábbeli, védősisak vagy fülvédő használatával csökkenthető a személyi sérülés kockázata.
- **Akadályozza meg a véletlen beindítást. Áramforrás/akkumulátor csatlakoztatása, illetve a szerszám felemelése vagy elvitele előtt gondoskodjon róla, hogy a kapcsoló kikapcsolt állásban legyen.** Ha a szerszámgépet ujját a kapcsolón tartva hordozza, illetve ha úgy helyezi áram alá, hogy bekapcsolt állásban van a kapcsolója, az könnyen balesethez vezethet.
- **A szerszámgép bekapcsolása előtt távolítson el minden beállítókulcsot.** Ha a szerszámgép egy forgó alkatrészén rajta marad egy kulcs, az személyi sérüléshez vezethet.
- **Ne végezzen munkát veszélyesen kinyújtózott helyzetben. Mindig stabilan álljon, és ügyeljen az egyensúlyára.** A megfelelően megvetett láb és a jó egyensúly hozzájárul a szerszámgép feletti uralom megtartásához váratlan helyzetben is.
- **Legyen megfelelő az öltözéke. Ne viseljen laza ruhát vagy ékszert. Haját és ruházatát tartsa távol a mozgó részekről.** A laza ruházatot, ékszereket vagy hosszú hajat bekapathatják a mozgó alkatrészek.
- **Ha csatlakoztathatók porelszívó és -gyűjtő berendezések, akkor gondoskodjon ezek megfelelő csatlakoztatásáról és használatáról.** A porelszívás használatával csökkenthető a porhoz kapcsolódó veszélyek.

A szerszámgép használata és karbantartása

- **Ne erőltesse túl a szerszámgépet. Mindig az alkalmazásnak megfelelő szerszámgépet használjon.** A megfelelő szerszámmal jobban, biztonságosabban végezhető el a munka, és a gép a tervezett sebességgel fog működni.
- **Ne használja a szerszámgépet, ha azt a kapcsolóval nem lehet be- vagy kikapcsolni.** A kapcsoló segítségével nem vezérelhető készülék veszélyes, és javítást igényel.
- **Mielőtt bármilyen beállítást végezne, kiegészítőt cserélne, vagy eltenné a szerszámgépet, húzza ki annak dugaszát az elektromos aljzathoz, illetve válassza le róla az akkumulátort.** Az ilyen megelőző biztonsági intézkedésekkel csökkenthető a szerszámgép véletlen beindításának veszélye.
- **A használaton kívüli szerszámgépet gyermekek elől elzárt helyen tartsa. Ne engedje, hogy olyan személy használja a berendezést, aki nem ismeri jól azt, vagy a jelen útmutatót.** Gyakorlatlan felhasználók kezében a szerszámgépek veszélyesebbek lehetnek.
- **Tartsa karban a szerszámgépeket. Ellenőrizze, jól igazodnak-e a mozgó alkatrészek, semmi sem akadályozza-e a mozgásukat, nincsenek-e eltörve az egyes alkatrészek, és ellenőrizzen minden olyan további körülményt, amely befolyásolhatja a szerszámgép működését. A sérült szerszámgépet javíttassa meg, mielőtt használná.** Sok balesetet a nem megfelelően karbantartott szerszámgépek okoznak.
- **A vágóeszközöket tartsa élesen és tisztán.** A megfelelően karbantartott, éles vágóélű vágóeszközök kisebb valószínűséggel akadnak el, és könnyebb velük dolgozni.
- **A szerszámgépet, a kiegészítőket, a betéteket, stb. a jelen használati útmutatónak megfelelően használja, figyelembe véve a munkakörülményeket és az elvégzendő munka jellegét.** A szerszámgépnek a tervezettől eltérő alkalmazása veszélyes helyzetet eredményezhet.

Szerviz

- **A szerszámgép javítását bízza képzett javító szakemberre, akinek az eredetivel azonos cserealkatrészeket kell használnia.** Ezzel biztosítható a szerszámgép biztonságának fenntartása.

Különleges biztonsági információk

▲ FIGYELMEZTETÉS

Ez a rész kizárólag a jelen szerszámgépre vonatkozó biztonsági információkat tartalmaz.

Az áramütés, ill. az ütéses, zúzós és egyéb súlyos sérülések kockázatának csökkentése érdekében a 700 sorozatú motoros hajtóegység használata előtt alaposan olvassa el ezeket az információkat.

MINDEN FIGYELMEZTETÉST ÉS UTASÍTÁST ŐRIZZEN MEG A KÉSŐBBIEKRE!

Az útmutatót a berendezéssel együtt tárolja, hogy az mindig elérhető legyen a kezelő számára.

A motoros hajtóegység biztonsága

- A jelen gép biztonságos használatára vonatkozó útmutatásokat be kell tartani. A motoros hajtóegység használata előtt olvassa el és értelmezze a jelen útmutatót, valamint az összes alkalmazott berendezéshez és anyaghoz tartozó figyelmeztetéseket és útmutatókat. Ha nem tartja be az összes figyelmeztetést és útmutatót, az anyagi kárhoz, illetve súlyos személyi sérüléshez vezethet.
- **1"-es (25 mm) és annál nagyobb csövek esetén a menetvágási erők ellentartásához kitámasztó eszközt kell használni. Megfelelő, a jelen útmutatóban megadott kitámasztó eszközt kell használni.** A kitámasztó eszközök elősegítik az uralom megőrzését, valamint az ütéses, zúzós és/vagy egyéb sérülések megakadályozását.
- **Ha a kitámasztó kartól eltérő kitámasztó eszközt használ, akkor annak a motorházra kell átvinnie az erőt.** Ha a kitámasztó eszköz egyéb alkatrészekre támaszkodik, akkor a gép alkatrészei károsodhatnak, ill. személyi sérülés léphet fel.
- **Menetvágáskor, ill. a menetvágó fej csőről való eltávolításakor a kitámasztó eszköz használatától függetlenül mindig erősen tartsa a motoros hajtóegységet, ellentartva a menetvágási erőknek.** Ezzel csökkenthető az ütéses, zúzós és/vagy egyéb sérülések veszélye.
- **Ne használja a motoros hajtóegységet, ha a kapcsológomb hibás.** E kapcsoló biztonsági eszköz, mellyel – a kapcsoló elengedésével – a motor leállítható.
- **A gép működtetése közben ne viseljen kesztyűt vagy laza ruházatot. A köpenyt és a ruhaujjakat mindig tartsa begombolva. Ne nyúljon át a gépen vagy a csövön.** A ruházatot ugyanis ekkor a cső vagy a gép becsípheti.

- **A munkafolyamatot és a gép működését egy embernek kell felügyelnie.** A gép működése közben csak a kezelő tartózkodhat a munkaterületen. Így csökkenthető a sérülés veszélye.
- **Tompa, ill. sérült menetvágót használni tilos.** Az éles vágószerszámok kisebb nyomatékot igényelnek, és velük a motoros hajtóegység irányítása is könnyebb.
- **A fogantyúkat tartsa szárazon, tisztán, valamint olaj- és zsírmentesen.** Így jobban kezelheti a gépet.
- **A padló mindig legyen száraz, és csúszós anyagoktól, például olajtól mentes.** A csúszós padló vonzza a baleseteket.
- **A RIDGID 700 motoroshajtóegységgel kizárólag RIDGID menetvágókat szabad használni.** Más menetvágó fejek esetlegesen nem illeszkednek megfelelően a motoros hajtóegységhez, ez pedig fokozhatja a berendezés károsodásának, ill. a személyi sérülésnek a veszélyét.
- **A jelen kézikönyvben leírttól eltérő alkalmazás esetén a fogantyún ébredő erők ellentartásához kitámasztó eszközt kell használni.** A kitámasztó eszközök elősegítik az uralom megőrzését, valamint az ütéses, zúzós és/vagy egyéb sérülések megakadályozását.

Ha kérdései vannak ezzel a RIDGID® termékkel kapcsolatban:

- Lépjen kapcsolatba a helyi RIDGID® forgalmazóval.
- A RIDGID.com címen megtalálhatja a helyi RIDGID kapcsolatfelvételi pontot.
- Forduljon a Ridge Tool műszaki szolgáltatási részlegéhez az rtctechservices@emerson.com címen, illetve az USA-ban és Kanadában a (800) 519-3456 számon.

Leírás, műszaki adatok és alapfelszereltség

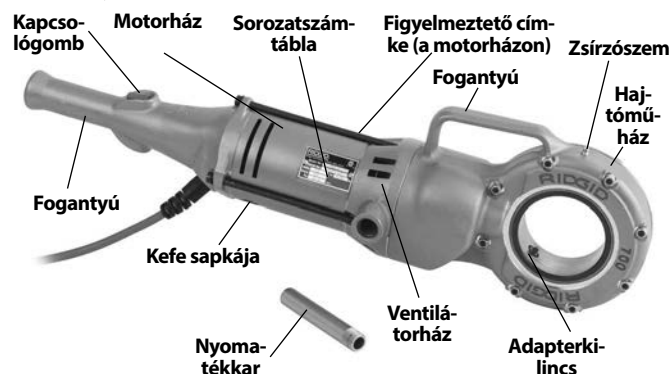
Ismertetés

A RIDGID® Model 700 motoros hajtóegységet arra tervezték, hogy csövek és kábelcsatornák menetvágásához szolgáltatson meghajtást. Az előre- és hátrafelé történő forgás a megfordító kapcsolóval választható ki.

A hajtóegység a RIDGID 12-R (1/8" – 2" méretű cső) csuklós fejű menetvágó fejeivel való használatra készült. Más RIDGID menetvágó fejek, pl. az OO-R és a 11-R adapterekkel használhatók.

1"-es és annál nagyobb csövek esetén kitámasztó eszközt, pl. a No. 775 kitámasztó kart, ill. egy nagy igénybevételre tervezett RIDGID 14"-es csőkulcsot kell használni a menetvágási erők ellentartására.

A motoros hajtóegység a RIDGID 258 csóvágó meghajtására, valamint egyéb alkalmazásokhoz is használható, (Lásd "Egyéb felhasználások").



1. ábra – 700 típusú motoros hajtóegység

Műszaki adatok

Menetvágó képesség.....Cső: 1/8" – 2" (3 – 50 mm)
Rúd 1/4" – 1" (6 – 25 mm) a 00-RB menetvágó fejjel

Motor:

Típus.....	Univerzális, megfordítható		
Volt.....	110	120	220-240
Amper.....	13,5	13,5	6,5
Frekvencia.....	50/60 Hz	50/60 Hz	50/60 Hz
Teljesítmény.....	1500	1500	1500
Üzemi fordulatszám.....	26-30 ford./perc terheletlenül		
Kezelőszervek.....	Kettős működésű irányfordító kapcsoló, rugóerős visszatérítéssel OFF állásba		
Hajtóáttétel.....	Fröccsöntött alumínium, egyenes fogazású homlokfogaskerékes csökkentő áttétel, rugóterhelésű adapterkilincsek, edzett acél tengelyfogaskerék		

Méretek:

Hossz.....	28 1/4" (717 mm)
Szélesség.....	6 1/16" (154 mm)
Magasság.....	7 13/16" (198 mm)
Súly.....	25 lbs. (11 kg)
Hangnyomás (L _{PA})**.....	98,4 dB(A), K=3
Hangteljesítmény (L _{WA})**.....	107 dB(A), K=3
Rezgés**.....	2,5 m/s ² , K=1,5

* Az Ön gépébe szerelt motor adatairól lásd a gép sorozatszám-tábláját – Egyéb változatok is elérhetők.

** A hang- és rezgésmérések az EN 62481-1 szabvány szerinti szabványosított vizsgálatnak megfelelően történtek.

- A rezgésszintek az egyéb szerszámokkal történő összehasonlításra, valamint az expozíció előzetes felmérésére alkalmazhatók.

- A hang- és rezgés kibocsátás az Ön elhelyezkedésétől, valamint a szerszámok konkrét felhasználásától függően változó lehet.

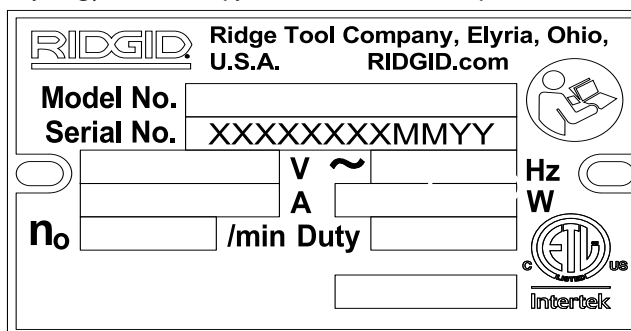
- Mindegyik alkalmazáshoz külön kell kiértékelni a napi zaj- és rezgés expozíciós szinteket, és szükség esetén meg kell hozni a megfelelő biztonsági intézkedéseket. Az expozíciós szintek kiértékelésénél azt az időt is figyelembe kell venni, amikor a szerszám ki van kapcsolva és nincs használatban. Ez az idő jelentősen csökkentheti a teljes munkaidőre eső expozíciós szintet.

Alapfelszereltség

A 700 sorozatú motoros hajtóegységhez a következő egységek tartoznak:

- 700 sorozatú motoros hajtóegység
- Támasz
- Nyomatékkar
- Kezelési útmutató

A 700 sorozatú motoros hajtóegység sorozatszám-táblája a motor házában alján található. Az utolsó 4 számjegy mutatja a gyártás hónapját és évét. (12 = hónap, 15 = év).



2. ábra – A gép sorozatszámja

MEGJEGYZÉS A megfelelő anyagok és telepítési, csatlakoztatási és alakadási módszerek megválasztása a rendszer tervezőjének és/vagy telepítőjének felelőssége. A nem megfelelően megválasztott anyagok vagy módszerek rendszerhibát okozhatnak.

A rozsdamentes acél és más korrózióálló anyagok a telepítés, csatlakoztatás és alakadás során szennyeződhetnek. Ez a szennyeződés korróziót okozhat, ami idő előtti meghibásodáshoz vezethet. Minden telepítési munkát megkísérlése előtt gondosan elemezni kell az adott üzemi feltételekhez megfelelő anyagokat és módszereket, beleértve a vegyszereket és a hőmérsékletet is.

Használat előtti ellenőrzés

⚠ FIGYELMEZTETÉS



Minden használat előtt vegye szemügyre a 700 sorozatú motoros hajtóegységet, és hárítson el minden problémát az elektromos áramütésből, zúzások sérülésből és egyéb okokból származó komoly sérülések, illetve a motoros hajtóegység megsérülésének elkerülése érdekében.

1. Ellenőrizze, hogy a motoros hajtóegység ki van-e húzva a hálózathoz.
2. Tisztítsa le minden olajat, zsírt és egyéb szennyeződést a hajtóegységről és a kitémasztó eszköztől (a fogókarokról és a kezelőszervekről is). Ez megkönnyíti a szemrevételezéses ellenőrzést, egyben megakadályozza, hogy a gép vagy egyik kezelőeleme kicsúszzon a kezéből.
3. A motoros hajtóegységen ellenőrizze az alábbiakat:
 - A kábel és a dugó sérülése, ill. átalakítása.
 - Megfelelő összeszereltség, karbantartottság és hiánytalanság.
 - Sérült, nem megfelelően illeszkedő, ill. összeakadó alkatrészek.
 - A kapcsoló megfelelő működése. Ellenőrizze, hogy simán, akadásmentesen mozog-e.
 - A figyelmeztető címkék megléte és olvashatósága (3. ábra).
 - A biztonságos, normál működést megakadályozó egyéb körülmény.

Ha bármilyen problémát talál, annak kijavításáig ne használja a motoros hajtóegységet, ill. a kitémasztó eszközt.

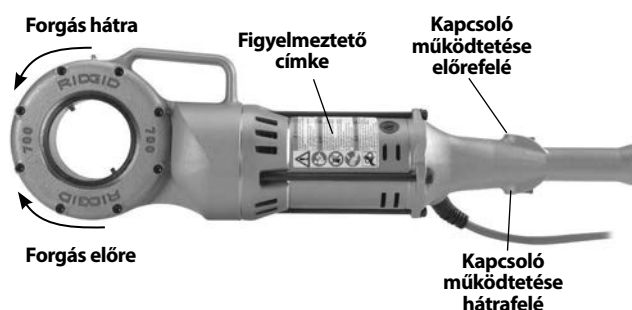
4. Ellenőrizze a kitémasztó kart. Ügyeljen arra, hogy az akadófogak tiszták és jó állapotúak legyenek. A fogak drótkéfével tisztíthatók.
5. Ellenőrizze, hogy a menetvágók vágóélei nem kopottak vagy deformálódtak-e, ill. nem láthatók-e forgácsok vagy egyéb problémák. A tompa vagy sérült vágószerszámok növelik a munkához szükséges erőt, rossz minőségű meneteket eredményeznek, és fokozzák a sérülésveszélyt.
6. Minden egyéb használatban levő berendezést is a hozzájuk tartozó útmutatások szerint ellenőrizzen és tartson karban, mert csak így működnek megfelelően.
7. A *Beállítási és üzemeltetési útmutató* szerint ellenőrizze, hogy a motoros hajtóegység megfelelően működik-e.
 - Nyomja le és engedje el a kapcsolót ELŐRE, majd

HÁTRA fogásirányban, a 3. ábra szerint. Ellenőrizze, hogy a motoros hajtóegység a 3. ábra szerint forog-e, és a kapcsolóval vezérelhető-e a gép működése.

Mielőtt a forgásirányt a kapcsológombbal megváltoztatná, hagyja teljesen leállni a motoros hajtóegységet. Így csökkenthető a hajtóegység sérülésének veszélye.

- Tartsa lenyomva a kapcsológombot. Vizsgálja meg a mozgórészeket, hogy jól vannak-e beigazítva, nem szorulnak-e, nem adnak-e ki furcsa hangot, és nem tapasztalható-e bármi szokatlan. Engedje el a kapcsolót.

Ha a gép nem működik megfelelően, ill. rendellenes körülmények észlelhetők, akkor a probléma kijavításáig ne használja a gépet.

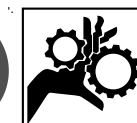


3. ábra – Forgásirányok a kapcsoló pozíciója szerint

8. Engedje el a kapcsológombot, és húzza ki a gép csatlakozódugaszát száraz kézzel.

Beállítás és üzemeltetés

⚠ FIGYELMEZTETÉS



A 700 sorozatú motoros hajtóegység beállítását és üzemeltetését a jelen eljárásrend szerint végezze. Így csökkenthető az áramütésből, elakadásból, ütődésből, zúzásokból és egyéb okból bekövetkező sérülés veszélye, és jobban megakadályozható a motoros hajtóegység károsodása.

1"-es (25 mm) és annál nagyobb csövek esetén a menetvágási erők ellentartásához kitémasztó eszközt kell használni. Megfelelő, a jelen útmutatóban megadott kitémasztó eszközt kell használni. A kitémasztó eszközök elősegítik az uralom megőrzését, valamint az ütési, zúzások és/vagy egyéb sérülések megakadályozását.

Menetvágáskor, ill. a menetvágó fej csőről való eltávolításakor a kitémasztó eszköz használatától függetlenül mindig erősen tartsa a motoros hajtóegységet, ellentartva a menetvágási erőknek.

Ezzel csökkenthető az ütéses, zúzásos és egyéb sérülések veszélye.

Megfelelően támassza alá a csövet. Így csökkenthető a cső leesésének, ill. a megbotlásnak és a súlyos sérülésnek a veszélye.

Ne használjon olyan motoros hajtóegységet, melynek hibás a kapcsológombja.

A gép működtetése közben ne viseljen kesztyűt vagy laza ruházatot. A köpenyt és a ruhaujjakat mindig tartsa begombolva. Ne nyúljon át a gépen vagy a csövön. A ruházatot ugyanis ekkor a cső vagy a gép becsípheti.

A munkafolyamatot és a kapcsológombot egyazon személy irányítsa. Egnél több személy nem működtetheti a rendszert. A kezelőnek beakadás esetére ellenőrzése alatt kell tartania a kapcsolót.

- Ellenőrizze, hogy a munkaterületen:
 - Van-e megfelelő megvilágítás.
 - Található-e a közelben gyúlékony folyadék, gőz vagy por, mely könnyen lángra lobbanhat. Ha ilyenek megtalálhatók a területen, ne dolgozzon a helyszínen, míg az eredetüket nem azonosította, és a problémát nem hártotta el. A motoros hajtóeszközök nem robbanásbiztosak, így szikraképződést okozhatnak.
 - Van-e tiszta, vízszintes, stabil, száraz hely a felszerelés és a kezelő számára.
 - A szellőzés megfelelő-e. Ne használja hosszú ideig kisméretű, zárt területen.
 - Van-e megfelelően huzalozott, megfelelő feszültségű tápaljzat. Ha bizonytalan, ellenőriztesse az aljzatot szakképzett villanyszerelővel.
 - Tisztítsa meg az elektromos aljzathoz vezető utat, hogy ne legyen ott olyan potenciális veszélyforrás, amely károsíthatja az elektromos vezetékét.
- Ellenőrizze a megmunkálandó csövet és a hozzá tartozó csatlakozásokat. Ellenőrizze, hogy a 700 sorozatú motoros hajtóegység megfelel-e a munkára. *Lásd a Műszaki adatok c. részt.*

Más alkalmazásokhoz megfelelő felszerelést a Ridge Tool katalógusban, az interneten a RIDGID.com címen, ill. az USA-ban és Kanadában a Ridge Tool műszaki szolgáltatási részlegénél, az (800) 519-3456 telefonszámon találhat.
- Győződjön meg arról, hogy az alkalmazandó berendezést megfelelően ellenőrizték-e.
- Az előírásoknak megfelelően készítse elő a csövet. A csövet derékszögben kell levágni, és sorjamentesíteni kell. A ferdén levágott cső menetvágáskor károsíthatja a vágószerszámokat, ill. nehezzé teheti a menetvágó fejek felhelyezését.

- A megmunkálandó csőnek stabilan, a használat közben történő felborulás ellen védett állapotban kell lennie. A cső teljes hosszát támassza alá megfelelő csőállványokkal.
- Ellenőrizze a RIDGID menetvágó olaj szintjét a RIDGID 418 olajozóban. Vegye ki a forgácstálcát, és ellenőrizze, hogy a szűrőszita tiszta-e, és teljesen bemerül-e az olajba. Szükség szerint cseréljen, ill. töltsön utána olajat. Helyezze a 418 olajozó vödröt a megmunkálandó csővége alá.

Menetvágó fejek felszerelése

- Ellenőrizze, hogy a motoros hajtóegység ki van-e húzva a hálózathoz.
- A 12-R menetvágó fejet vagy az adaptert (*lásd Opcionális felszerelések*) a bordás végével előrefelé merőlegesen tolja be a motoros hajtóegységbe úgy, hogy a rugóterhelésű hajtókilincsek szilárdan beakadjanak a bordába. (4. ábra). A menetvágó fej, ill. az adapter a motoros hajtóegység bármelyik oldalába behelyezhető. Egyes esetekben a menetvágó fejet/adaptert el kell fordítani ahhoz, hogy a kilincsek beakadhassanak. A 770 és 773 sorozatú adapterekbe előbb kell beszerezni a menetvágó fejet, és csak azután szabad behelyezni azokat a motoros hajtóegységbe.
- A kiszereleshez merőlegesen húzza ki a menetvágó fejet a motoros hajtóegységből. Szükség esetén puha kalapáccsal, ill. fadarabbal ütögesse ki a menetvágó fejet. Ne üssön rá erősen a menetvágó fejre, ez ugyanis károsíthatja a szerszámot.



4. ábra – Menetvágó fejek beszerelése a 700 sorozatú motoros hajtóegységbe

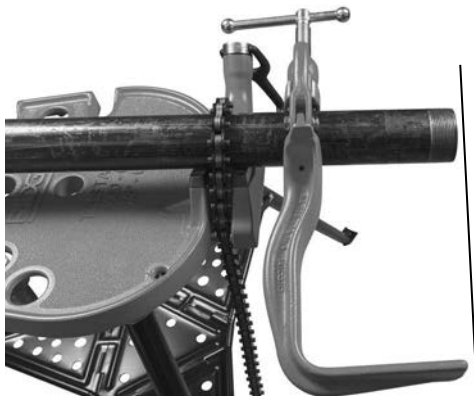
Menetvágási erők ellentartása (kitámasztó eszközök)

Jobbmenet készítése esetén a menetvágó fej az óramutató irányába forog (a menetvágó fej homlokfelületére nézve). A menetvágás nyomatakából adódó erők így a másik, azaz az óramutatóval ellentétes irányba hatnak. Balmenet ké-

szítésekor a forgásirány és az erő is ellentétes. A kitámasztó eszközt mindig úgy kell beállítani, hogy megfelelően elnyelje a menetvágási erőt, és ellentartsa annak.

A 775 sz. kitámasztó kar használata:

1. A kitámasztó kar kengyelhorga bármelyik oldalra felszerelhető. Szilárdan húzza meg a csuklópánt csavarját.
2. Tegye a kitámasztó kart a csőre úgy, hogy a kitámasztó kar vége a cső végéhez illeszkedjen, és a 700 sorozatú motoros hajtóegység kissé a vízszintes helyzet fölé kerüljön (5. és 6. ábra). Így a kitámasztó kar a menetvágáshoz megfelelő pozícióba kerül, és a menetvágó olaj nem folyhat le a motoros hajtóegységre.
3. Ellenőrizze, hogy a kitámasztó kar pofái merőlegesen illeszkednek-e a csőhöz. Szilárdan húzza meg a kitámasztó kart.



5. ábra – A kitámasztó kar a cső végéhez illesztve

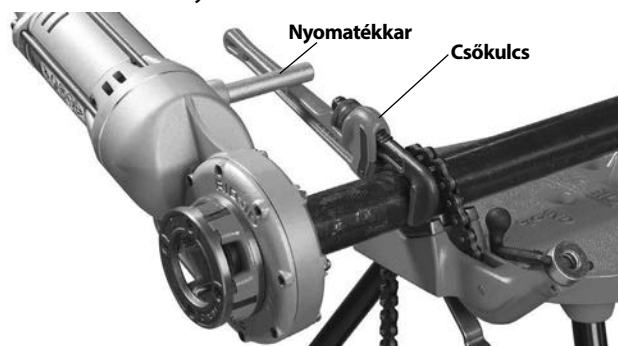


6. ábra – A kitámasztó kar elhelyezkedése a kissé a vízszintes sík felett levő 700-as hajtóegységgel

Nagy igénybevételre tervezett RIDGID 12", 14" vagy 18"-es csőkulcs használata:

1. Szilárdan szerelje be az ellentartó kart a 700 sorozatú motoros hajtóegység ventilátorházába. Ehelyett alkalmazható 5" (127 mm) hosszúságú, 1/2" méretű 80-as acélcső is, 1/2" NPT menettel.

2. A nagy igénybevételre tervezett RIDGID 12", 14" vagy 18"-es csőkulcsot helyezze kb. 7"-re (175 mm) a cső végétől (lásd 7. ábra). Ellenőrizze, hogy a csőkulcs szilárdan rögzül-e, és nem eshet-e le vagy mozdulhat-e el.
3. A menetvágás megkezdésekor az ellentartó kar felfekszik a csőkulcs nyelére.



7. ábra – Menetvágás kitámasztó karként használt csőkulccsal

Egyéb kitámasztási módszerek:

A motoros hajtóegység házát (lásd 1. ábra) támassza valamilyen szomszédos szerkezeti elemhez (pl. fal, gerenda, keresztartó). Ennek előfeltétele, hogy a megmunkált cső és a környezet egyaránt képes legyen megtartani a szerzősúlyát, valamint a menetvágó erőket. Lehet, hogy a menetvágási erők megfelelő ellentartásához ideiglenes, ill. állandó csőtámaszokat, szerkezeti elemeket kell beiktatni.

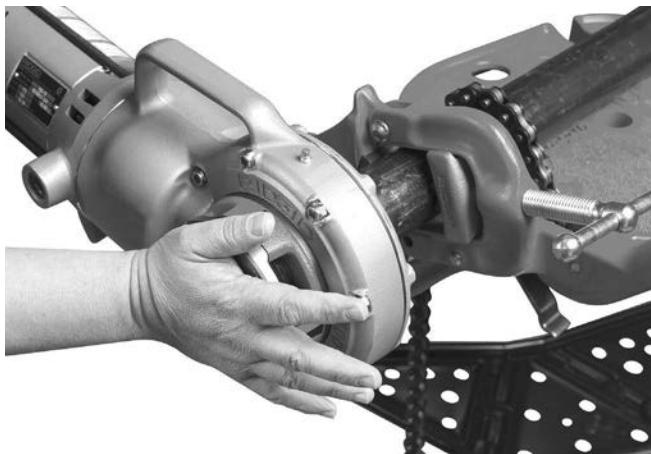
3/4"-es és kisebb átmérőjű csövek esetén:

A 3/4" és kisebb névleges méretű csövek kitámasztó eszköz használata nélkül is megmunkálhatók. Ilyenkor a kezelő tart ellen a menetvágáskor keletkező erőket. Az elfordulás megelőzése érdekében a csövet megfelelően biztosítani kell. Menetvágáskor, ill. a menetvágó fej csőről való eltávolításakor mindig erősen tartsa a motoros hajtóegységet, ellentartva az erőket. Ezzel csökkenthető az ütéses, zúzós és egyéb sérülések veszélye.

Menetvágó szerszámok

1. A motoros hajtóegységet száraz kézzel kösse be a hálózatba.
2. A menetvágó fejet helyezze fel a csőre, és támassza ki a motoros hajtóegységet a Menetvágási erők ellentartása c. fejezetben leírtak szerint. A motoros hajtóegységet mindig tartsa a kitámasztó eszközhöz támasztva. Ne tegyen semmit a motoros hajtóegység és a kitámasztó eszköz közé – ez ugyanis fokozza a becsípődéses és zúzós sérülés veszélyét.
3. Megfelelő üzemeltetési testhelyzetet vegyen fel, hogy a gép felett megfelelően meg lehessen őrizni az uralmat (Lásd 9. ábra).

- Végig meg kell őriznie egyensúlyát. A túlzott kinyújtás nem megengedett.
- Mindenképpen őrizze meg az uralmat a kapcsológomb és a gép felett. Még ne nyomja le a kapcsolót. Vészhelyzetben képesnek kell lennie a kapcsoló felengedésére.



8. ábra – A menet megkezdése

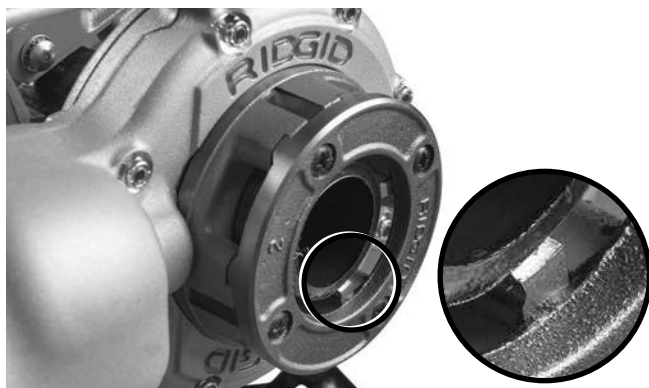
4. A menet megkezdéséhez egyidejűleg nyomja le a kapcsológombot (lásd 3. ábra), és szabad kezének tenyerével fejtse ki nyomóerőt a menetvágó fej burkolólemézére (8. ábra). A burkolólemez lenyomásakor ne viseljen kesztyűt, ékszert, ill. kendőt, ez ugyanis fokozza a beakadás és sérülés veszélyét. Ha a menetvágó szerszám belekapott a csőbe, a menetek vágása magától megtörténik: a szerszám saját magát húzza rá a cső végére.

A fogókarra ható erők ellentartásához mindig fogja erősen a motoros hajtóegység fogókarját. A kitémasztó eszközök megcsúszhatnak, és emiatt a motoros hajtóegység elmozdulhat. A kapcsológomb elengedésével a motoros hajtóegység bármikor kikapcsolható.



9. ábra – Menetvágás csőre

5. Szüntesse meg a burkolólemezre kifejtett nyomást, és az olajozóval vigyen fel bőszeges mennyiségű RIDGID menetvágó olajat a megmunkált területre. Ezzel lecsökkenthető a menetvágás nyomatéka, javítható a menet minősége, és megnövelhető a menetvágó szerszám élettartama.
6. Tartsa lenyomva a kapcsolót, amíg a cső vége egy síkba nem esik a menetvágók szélével (10. ábra). Figyeljen arra, hogy a motoros hajtóegység ne ütközzön bele a kitémasztó eszközbe. Engedje el a kapcsológombot. Várjon, amíg a motoros hajtóegység teljesen nem áll le.

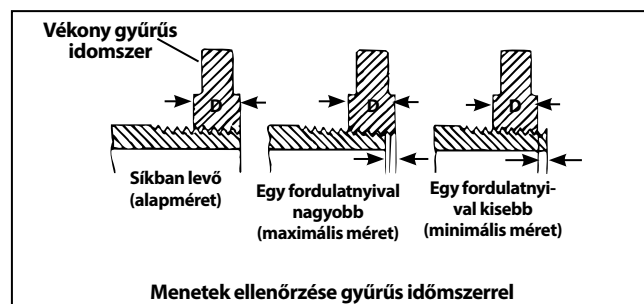


10. ábra – A cső a menetvágók szélével egy síkban van

7. A kapcsológombot hátramenetbe kapcsolva távolítsa el a menetvágó fejet a megmunkált csőről. A fogókarra ható erők ellentartása érdekében a forgács feltörésekor és a menetvágó fej lecsavarásakor mindig fogja erősen a motoros hajtóegység fogókarját.
8. Engedje el a kapcsolót, és vegye le a motoros hajtóegységet, valamint a menetvágó fejet a csőről.
9. Húzza ki a motoros hajtóegységet a hálózatból száraz kézzel.
10. Törölje ki az olajat és a törmeléket a menetekből és a menetvágó fejből. Ügyeljen rá, hogy ne vágja meg magát az éles törmelékkel, ill. az éles szélekkel. A munkaterületről tisztítsa ki minden olajkiömlést.

Menetek ellenőrzése

1. A menetről tisztítsa le minden olajat, forgácsot és törmeléket.
2. Szemrevételezze a menetet. A meneteknek simának, folyamatosnak, megfelelő alakúnak kell lenniük. Ha menetszakadás, elvékonyodott menetek, körköröségi hiba vagy hasonló problémák láthatók, akkor előfordulhat, hogy a menet nem tömit megfelelően. E problémák diagnosztizálásáról lásd a "Hibakeresés" táblázatot.
3. Ellenőrizze a menet méretét. A menet méretét legkedvezőbb gyűrűs idomszerrel ellenőrizni. Különböző típusú gyűrűs idomszerek léteznek: ezek használata eltérhet a 11. ábrán láthatótól.
 - Kézzel csavarozza rá a gyűrűs idomszert a menetre.
 - Figyelje meg, hogy a csővég mennyire nyúlik túl a gyűrűs idomszeren. A cső végének legfeljebb egy fordulatnyi eltéréssel egy síkba kell esnie az idomszer oldalával. Ha a menet idomszeres vizsgálatának eredménye nem kielégítő, akkor vágja le a menetet, állítsa be a menetvágó fejet, és vágjon új menetet. Az a menet, amelynek idomszeres vizsgálata nem ad kielégítő eredményt, szivárgást okozhat.



11. ábra – A menet méretének ellenőrzése

- Ha a menet méretének ellenőrzésére nem áll rendelkezésre gyűrűs idomszer, akkor a menet mérete a majdan ténylegesen használandóval megegyező, új, tiszta csőcsatlakozóval is ellenőrizhető. 2"-es és annál kisebb NPT menetek esetén a menetet olyan hosszban kell kivágni, hogy a csőcsatlakozó kézzel történő felcsavarásakor 4-5 menet összekapcsolódjon. BSPT menetek alatt ez az érték 3 menet.

700 sorozatú motoros hajtóegység – Egyéb alkalmazások

A jelen kézikönyv a 700 sorozatú motoros hajtóegység különböző RIDGID menetvágó fejekkel együtt történő alkalmazásáról tartalmaz konkrét információkat. Egyéb RIDGID berendezésekkel (pl. a RIDGID 258/258XL csővágó géppel) együtt történő használat esetén be kell tartani az adott RIDGID berendezéshez mellékelt útmutatókat és figyelmeztetéseket is a megfelelő konfigurációra és használatra vonatkozóan.

A Ridge Tool nem adhat konkrét útmutatásokat a 700 sorozatú motoros hajtóegység minden elképzelhető felhasználására. A felhasználó kötelessége elemezni a konkrét feladat forgatókönyvét és alkalmazni a megfelelő munkavégzési gyakorlatot, ill. módszereket. Ha bármilyen kétség merül fel arról, hogy a 700 sorozatú motoros hajtóegység használható lenne ezekre az eltérő célokra, akkor ne használja azt.

Ha a 700 sorozatú motoros hajtóegységet eltérő célokra használja, akkor az alábbi általános irányelvek segítségével gondosan értékelje ki a helyzetet és készüljön fel a munkavégzésre. A 700 sorozatú motoros hajtóegység nagy nyomatókat ad, ezért a fogantyúján ébredő erők is nagyok, ez pedig ütéses, zúzós sérüléseket okozhat.

- A RIDGID 774 négyzetes hajtóadapter beiktatásával a 700 sorozatú motoros hajtóegység $1\frac{5}{16}$ " méretű négyzetes befogóvá alakítható. Az adaptert szilárdan kell rögzíteni, hogy a használat során ne mozdulhasson el.

- Megfelelő módszert kell kidolgozni a fogantyún ébredő összes erő ellentartására (Lásd "A fogantyún ébredő erők ellentartása" fejezet). Az erők meghaladhatják az 1000 lbs (455 kg) értéket is. A kitámasztó eszközök a 700 sorozatú motoros hajtóegység motorházára, ill. ventilátorházára támaszthatók fel (1. ábra).
- A motoros hajtóegységet mindig tartsa a kitámasztó eszközhöz támasztva: semmilyen testrészét ne tegye a motoros hajtóegység és a kitámasztó eszköz közé.
- Használat közben a motoros hajtóegység és a kitámasztó eszköz nem mozdulhat el egymáshoz képest.
- Ügyeljen rá, hogy az alkalmazás (pl. szelep működtetése) szabadon forogjon, ne legyen elakadva, és a véghelyzetek ismertek legyenek. Ha a rendszer elakad, ill. felkeményedik használat közben, akkor a fogantyún ébredő erők hirtelen jelentősen megnőnek, ill. a motoros hajtóegység elfordulhat.
- Ha szelepet vagy más rendszert működtet a motoros hajtóegységgel, akkor az adott rendszer gyártójának útmutatásait is be kell tartani. Ne terhelje túl a rendszert.
- Úgy használja a 700 sorozatú motoros hajtóegységet, hogy a reakcióerő a felhasználótól elfelé hasson.
- A kapcsológomb elengedésével a motoros hajtóegység bármikor kikapcsolható. Mindig képesnek kell lennie a kapcsológomb felengedésére.

Karbantartási útmutató

▲ FIGYELMEZTETÉS

Bármilyen karbantartás, ill. beállítás előtt mindenképpen ki kell oldani a kapcsológombot, és ki kell húzni a gépet a hálózatból.

Az áramütésből, elakadásból, ütődésből, zúzásból és egyéb okból bekövetkező sérülés veszélyének csökkentése érdekében a szerszámot a jelen útmutató szerint kell karbantartani.

Tisztítás

1. A menetvágásból eredő forgácsot minden használat után ki kell tisztítani a 418 olajozó forgácstálcájából, és minden olajmaradékot is ki kell törölni.
2. A motoros hajtóegységről, annak fogókarjairól és a kezelőszervekről is töröljön le minden olajat, forgácsot, zsírt és egyéb szennyeződést.
3. A kitámasztó karról töröljön le minden olajat, forgácsot, zsírt és egyéb szennyeződést. Szükség esetén drótkéfével tisztítsa meg a kitámasztó kar pofáit.
4. Távolítsa el a forgácsot és egyéb szennyeződést a menetvágó fejről.

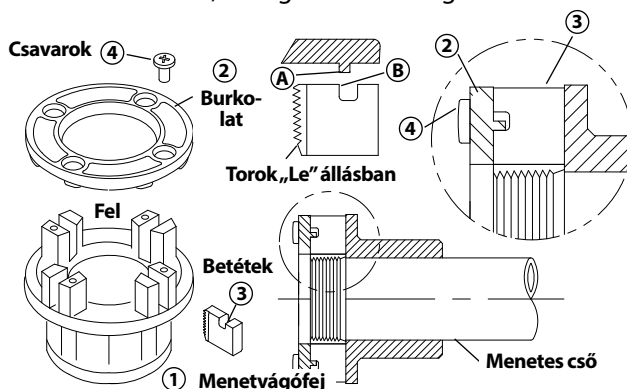
Kenés

Zsírzópisztollyal adagoljon lítiumbázisú EP (nagy nyomásra alkalmas) kenőzsírt a hajtóműházon elhelyezett zsírzógombokba (lásd 1. ábra) 3 – 6 havonta, a gép használatától függően.

12-R menetvágó fejek menetvágóinak cseréje

A RIDGID 12-R menetvágó fejekbe számos menetvágó szerelhető. Az elérhető változatokról lásd a katalógust.

1. Vegye ki a négy csavart (4), a burkolólemezt (2) és a menetvágókat (3) a menetvágófejből.
2. Helyezze be az új menetvágókat a hornyokba, a számozott szélükkel (1,2,3,4) felfelé. A menetvágókon levő számoknak egyezniük kell a menetvágó fej hornyain levőkkel. A menetvágókat mindig készletként cserélje.
3. Szerelje be a burkolólemezt (2) és a csavarokat (4), és enyhén húzza meg a csavarokat.
4. Csavarozzon be egy menetes csővéget a menetvágókba addig, amíg azok el nem kezdenek menetet vágni. Az ezzel járó erők a "B" menetvágókat kifelé felütköztetik a fedőlemez "A" szemeire, és beállítják a megfelelő méretet.
5. Szilárdan húzza meg a négy csavart. Vegye ki a megmunkált csövet, és végezzen tesztvágást.



12. ábra – Menetvágók beszerelése a menetvágó fejbe

Kefék cseréje a motorban

A motor keféit 6 havonta kell ellenőrizni. A keféket cserélni kell, ha ¼"-nél (6 mm) kisebbre koptak.



13. ábra – A kefék beszerelése

1. Húzza ki a gépet a betáplálásból.
2. Csavarozza le a kefék sapkáit. Szerelje ki és ellenőrizze a keféket. A keféket cserélni kell, ha ¼"-nél (6 mm) kisebbre koptak. Ellenőrizze a kommutátor kopását. Ha túlzottan kopott, akkor szervizeltesse a szerszámot.
3. Szerelje vissza a keféket/szereljen fel új keféket.
4. Használat előtt a kefék és a kommutátor megfelelő egymáshoz állása érdekében a gépet terhelés nélkül járassa 15 percig előre-, majd 15 percig hátramenetben.

Opcionális felszereltség

▲ FIGYELMEZTETÉS

A súlyos sérülés kockázatának csökkentése érdekében csak kifejezetten a 700 sorozatú motoros hajtóegységhez tervezett és javasolt, alább felsorolt felszereléseket használja.

Kat.sz.	Ismertetés
42600	770 Adapter a következőkhöz: 00-R (½" – 1") és 00-RB (¾" – 1")
42605	771 Adapter a következőkhöz: 0-R (½" – 1")
42610	772 Adapter a következőkhöz: 11-R (½" – 1¼")
42615	773 Adapter a következőkhöz: 111-R (½" – 1¼")
42620	774 Négyszögletes hajtóadapter – 1¼"
42625	775 Kitémasztó kar
46615	Nyomatékkar
42950	B-171-X Fém hordtáska
10883	418 Olajozó 1 gallon prémium minőségű menetvágó olajjal
41620	Vágófej motor kenőzsír

A 700 sorozatú motoros hajtóegységhez és a szerszámhoz való tartozékokról további információk a RIDGID katalógusban, illetve az interneten található, a RIDGID.com weboldalon.

A gép tárolása

▲ FIGYELMEZTETÉS A 700 sorozatú motoros hajtóegységet beltéren, illetve esőtől megfelelően védve kell tárolni. A gépet zárható helyen tartsa, hogy ne kerülhessen gyermekek vagy a gépek kezelésében nem jártas személyek kezébe. Gyakorlatlan felhasználó kezében a gép súlyos sérülést okozhat.

Szerviz és javítás

▲ FIGYELMEZTETÉS

A nem megfelelő szervizelés vagy javítás nem biztonságos üzemeltetést eredményezhet.

A *Karbantartási útmutató* című fejezet a gép szükséges karbantartását nagyrészt ismerteti. Az olyan problémák elhárítását, amellyel az említett rész nem foglalkozik, a RIDGID hivatalos szervizének szakemberére kell bízni.

A szerszámot a RIDGID független szervizközpontjába vagy a gyárba kell visszajuttatni. Kizárólag RIDGID szervizalkatrészeket szabad használni.

Ha tájékoztatásra van szüksége a legközelebbi RIDGID független, jogosult szervizközponttól, vagy bármilyen, szervizeléssel vagy javítással kapcsolatos kérdése van:

- Lépjen kapcsolatba a helyi RIDGID-forgalmazóval.
- A RIDGID.com címen megtalálhatja a helyi RIDGID kapcsolatfelvételi pontot.
- Forduljon a Ridge Tool műszaki szervizrészlegéhez a következő elérhetőségen: rtctechservices@emerson.com, ill. az USA-ban és Kanadában a következő számon: (800) 519-3456.

Menetvágó olajra vonatkozó információk

A menetvágó olaj címkéjén és biztonsági adatlapján (SDS) található összes útmutatást olvassa el és tartsa be. A táblán, ill. a biztonsági adatlapon megtalálhatók a RIDGID menetvágó olajokra vonatkozó konkrét információk, így a veszélyek azonosítása, az elsősegély-, tűzvédelmi, ill. véletlen felszabadulásra vonatkozó intézkedések, a mozgatás és tárolás, a személyi védőfelszerelések, valamint a hulladékkezelés és szállítás információi. A biztonsági adatlap elérhető a RIDGID.com, ill. a Ridge Tool műszaki szolgáltatási részlegétől (az USA-ban és Kanadában a (800) 519-3456 számon, ill. az rtctechservices@emerson.com címen).

Ártalmatlanítás

A 700 sorozatú motoros hajtóegység egyes részei értékes anyagokat tartalmaznak, és újrahasznosíthatók. Az Ön lakóhelyén az újrahasznosítással erre szakosodott szervezetek foglalkoznak. Az alkatrészeket a helyi előírásoknak megfelelően ártalmatlanítsa. További információkért lépjen kapcsolatba a helyi hulladékkezelési szervvel.



EK-országok: Az elektromos berendezéseket ne dobja ki a háztartási hulladékkal együtt!

Az elektromos és elektronikus berendezések hulladékairól szóló 2012/19/EU irányelv (illetve annak a helyi törvényekben megvalósított előírásai) szerint a már nem használható elektronikus hulladékokat külön kell összegyűjteni, és a környezetvédelmi előírásoknak megfelelően kell ártalmatlanítani.

Hibaelhárítás

PROBLÉMA	LEHETSÉGES OKOK	MEGOLDÁS
A gép nem működik.	A kefék nem érintkeznek a fegyverzettel.	Ellenőrizze a keféket; ha kopottak, cserélje őket.
A géppel nem vágható menet.	Tompa menetvágó szerszámok.	Cserélje a menetvágókat.
	Túlterhelés a szakadt, ill. körköröségi hibás menetek miatt.	A lehetséges okokat lásd alább.
	Gyenge minőségű, ill. elégtelen mennyiségű menetvágó olaj.	A RIDGID menetvágó olajat használja, megfelelő mennyiségben.
	Nem kielégítő vonali feszültség.	Ellenőrizze a tápfeszültséget.
Vékony menetek.	Nem kielégítő érintkezés a kefék és a kommutátor között	Húzza meg a kefék sapkáit úgy, hogy a kefék szilárdan rányomódjanak a kommutátorra.
	A kefék nem érintkeznek megfelelően a kommutátorral.	Cserélje a kopott keféket és/vagy fegyverzetet.
	Más gyártmányú kefék.	Kizárólag RIDGID keféket használjon.
	Új kefék.	Állítsa a keféket a megfelelő helyzetbe: ehhez járassa a gépet terhelés nélkül 15 percig előre-, majd hátramenetben.

Hibaelhárítás (folyt.)

<p>A menetvágó fej nem kezd meg a menetvágást.</p>	<p>A menetvágó fej nem merőleges a csővégre.</p> <p>A menetvágó fejre nem megfelelően fejtik ki az erőt.</p> <p>A csővég nem merőlegesen van levágva. Tompá, ill. törött menetvágók.</p> <p>A gép nem megfelelő irányban jár.</p> <p>A menetvágók nem megfelelően helyezkednek el a menetvágó fejben.</p>	<p>A menetvágás megkezdéséhez fejtse ki nyomást a menetvágó fej fedőlapjára.</p> <p>Az erőt a cső középvonalában kell kifejteni.</p> <p>Merőlegesen vágja le a csővéget.</p> <p>Cserélje a menetvágókat.</p> <p>Járassa a gépet a megfelelő irányban.</p> <p>Ellenőrizze, hogy a menetvágók kifelé hozzáérnek-e a fedőlap szeméihez.</p>
<p>Szakadt menetek.</p>	<p>Sérült, lepattant részeket mutató, ill. kopott menetvágók.</p> <p>Nem megfelelő, ill. elégtelen mennyiségű menetvágó olaj.</p> <p>Az anyaghoz nem megfelelő típusú menetvágó.</p> <p>Gyenge minőségű cső / csőanyag.</p>	<p>Cserélje a menetvágókat.</p> <p>Kizárólag RIDGID® menetvágó olajat használjon, megfelelő mennyiségben.</p> <p>Az alkalmazáshoz megfelelő gyorsacél, rozsdamentes acél, ill. ötvözet anyagú menetvágókat használjon.</p> <p>Jobb minőségű csövet használjon.</p>
<p>Körköröségi hibás, ill. összezúzott menetek.</p>	<p>A csőfal vastagsága túl kicsi.</p>	<p>40-es vagy nagyobb falvastagságú anyagot használjon.</p>
<p>A kitámasztó eszköz elfordul menetvágáskor.</p>	<p>A kitámasztó kar pofái szennyezettek.</p> <p>A kitámasztó kar nincs megfelelően elhelyezve.</p> <p>A kitámasztó kar nem elég szoros.</p>	<p>Drótkefével tisztítsa meg.</p> <p>A kitámasztó kart a csőre merőlegesen igazítsa el.</p> <p>Húzza meg a rögzítőcsavart.</p>
<p>Vékony menetek.</p>	<p>A menetvágók nem a megfelelő sorrendben vannak elhelyezve.</p>	<p>A menetvágókat a menetvágó fej megfelelő hornyába helyezze.</p>

Ηλεκτρικός βιδολόγος

700



⚠️ ΠΡΟΕΙΔΟΠΟΙΗΣΗ!

Διαβάστε προσεκτικά το παρόν εγχειρίδιο χειριστή πριν χρησιμοποιήσετε αυτό το εργαλείο. Αν δεν κατανοήσετε και δεν τηρήσετε τις οδηγίες που περιλαμβάνονται σε αυτό το εγχειρίδιο, μπορεί να προκληθεί ηλεκτροπληξία, πυρκαγιά και/ή σοβαρός τραυματισμός.

Ηλεκτρικός βιδολόγος 700

Καταγράψτε τον αριθμό σειράς παρακάτω και φυλάξτε τον αριθμό σειράς του προϊόντος που βρίσκεται στην ετικέτα αναγνώρισης.

Σειριακός
Κατ.

--

Πίνακας περιεχομένων

Φόρμα καταγραφής αριθμού σειράς του μηχανήματος	241
Σύμβολα ασφαλείας	243
Γενικές προειδοποιήσεις ασφαλείας ηλεκτρικού εργαλείου	243
Ασφάλεια χώρου εργασίας	243
Ηλεκτρική ασφάλεια	243
Προσωπική ασφάλεια	244
Χρήση και φροντίδα του ηλεκτρικού εργαλείου	244
Σέρβις	245
Ειδικές πληροφορίες για την ασφάλεια	245
Ασφάλεια ηλεκτρικού βιδολόγου	245
Περιγραφή, τεχνικά χαρακτηριστικά και στάνταρ εξοπλισμός	246
Περιγραφή	246
Τεχνικά χαρακτηριστικά.....	246
Βασικός εξοπλισμός.....	246
Επιθεώρηση πριν τη λειτουργία	247
Ρύθμιση και λειτουργία	248
Τοποθέτηση φιλιέρων	249
Αντίσταση στις δυνάμεις ελικοτόμησης.....	249
Ελικοτόμηση	250
Έλεγχος σπειρωμάτων.....	251
Ηλεκτρικός βιδολόγος 700 – Άλλες χρήσεις	252
Οδηγίες συντήρησης	252
Καθαρισμός	253
Λίπανση.....	253
Αλλαγή μαχαιριών σε φιλιέρες 12-R	253
Αντικατάσταση ψήκτρων σε μοτέρ	253
Προαιρετικός εξοπλισμός	254
Αποθήκευση μηχανήματος	254
Σέρβις και επισκευή	254
Πληροφορίες για το λάδι κοπής σπειρωμάτων	254
Απόρριψη	254
Επίλυση προβλημάτων	255
Δήλωση συμμόρφωσης ΕΚ	Οπισθόφυλλο, εσωτερική πλευρά
Εγγύηση εφ' όρου ζωής	Οπισθόφυλλο

*Μετάφραση του πρωτοτύπου των οδηγιών χρήσης

Σύμβολα ασφαλείας

Στο παρόν εγχειρίδιο χειρισμού και πάνω στο προϊόν χρησιμοποιούνται σύμβολα και προειδοποιητικές ενδείξεις που επισημαίνουν σημαντικές πληροφορίες για την ασφάλεια. Οι προειδοποιητικές αυτές ενδείξεις και τα σύμβολα επεξηγούνται σε αυτή την ενότητα.



Αυτό είναι το σύμβολο προειδοποίησης για θέματα ασφαλείας. Χρησιμοποιείται για να επιστήσει την προσοχή σας σε πιθανούς κινδύνους τραυματισμού. Τηρείτε πιστά όλα τα μηνύματα ασφαλείας που ακολουθούν αυτό το σύμβολο για να αποφύγετε πιθανό τραυματισμό ή θάνατο.

⚠ ΚΙΝΔΥΝΟΣ

Η ένδειξη ΚΙΝΔΥΝΟΣ επισημαίνει μια επικίνδυνη κατάσταση, η οποία, εάν δεν αποφευχθεί, θα οδηγήσει σε θάνατο ή σοβαρό τραυματισμό.

⚠ ΠΡΟΕΙΔΟΠΟΙΗΣΗ

Η ένδειξη ΠΡΟΕΙΔΟΠΟΙΗΣΗ επισημαίνει μια επικίνδυνη κατάσταση, η οποία, αν δεν αποφευχθεί, θα μπορούσε να οδηγήσει σε θάνατο ή σοβαρό τραυματισμό.

⚠ ΠΡΟΣΟΧΗ

Η ένδειξη ΠΡΟΣΟΧΗ επισημαίνει μια επικίνδυνη κατάσταση, η οποία, αν δεν αποφευχθεί, θα μπορούσε να οδηγήσει σε μικρής ή μέτριας σοβαρότητας τραυματισμό.

ΕΠΙΣΗΜΑΝΣΗ

Η ένδειξη ΕΠΙΣΗΜΑΝΣΗ δηλώνει πληροφορίες που σχετίζονται με την προστασία περιουσιακών αγαθών.



Αυτό το σύμβολο σημαίνει ότι θα πρέπει να διαβάσετε προσεκτικά το εγχειρίδιο χειριστή προτού χρησιμοποιήσετε τον εξοπλισμό. Το εγχειρίδιο χειριστή περιλαμβάνει σημαντικές πληροφορίες για την ασφαλή και σωστή λειτουργία του εξοπλισμού.



Αυτό το σύμβολο σημαίνει ότι θα πρέπει να φοράτε πάντα γυαλιά ασφαλείας με πλαϊνή θωράκιση ή γυαλιά προσωπίδες όταν χειρίζεστε ή χρησιμοποιείτε αυτό τον εξοπλισμό ώστε να μειώνεται ο κίνδυνος τραυματισμού των οφθαλμών.



Αυτό το σύμβολο επισημαίνει τον κίνδυνο να πιαστούν τα δάκτυλα, τα χέρια, τα ρούχα σας ή άλλα αντικείμενα στα γρανάζια ή σε άλλα περιστρεφόμενα μέρη του εργαλείου, με κίνδυνο τραυματισμού.



Αυτό το σύμβολο επισημαίνει τον κίνδυνο ηλεκτροπληξίας.



Αυτό το σύμβολο υποδεικνύει κίνδυνο ανατροπής του μηχανήματος, που μπορεί να προκαλέσει τραυματισμό από χτύπημα ή σύνθλιψη.



Το σύμβολο αυτό υποδεικνύει να μην φοράτε γάντια όταν χρησιμοποιείτε αυτό το μηχάνημα, ώστε να μειωθεί ο κίνδυνος να μπλεχτούν τα χέρια σας στα εξαρτήματα του μηχανήματος.



Το σύμβολο αυτό υποδεικνύει την ανάγκη χρήσης ενός μηχανισμού αντιστήριξης για την αντίσταση στις δυνάμεις ελικτόμησης, τη βελτίωση του ελέγχου και τη μείωση του κινδύνου τραυματισμού.

Γενικές προειδοποιήσεις ασφαλείας ηλεκτρικού εργαλείου*

⚠ ΠΡΟΕΙΔΟΠΟΙΗΣΗ

Διαβάστε και κατανοήστε όλες τις οδηγίες. Αν δεν τηρηθούν όλες οι οδηγίες που αναγράφονται παρακάτω μπορεί να προκληθεί ηλεκτροπληξία, πυρκαγιά ή/και σοβαρός τραυματισμός.

ΦΥΛΑΞΤΕ ΟΛΕΣ ΤΙΣ ΠΡΟΕΙΔΟΠΟΙΗΣΕΙΣ ΚΑΙ ΤΙΣ ΟΔΗΓΙΕΣ ΩΣΤΕ ΝΑ ΑΝΑΤΡΕΞΕΤΕ ΣΕ ΑΥΤΕΣ ΣΤΟ ΜΕΛΛΟΝ!

Ο όρος «ηλεκτρικό εργαλείο» που περιέχεται στις προειδοποιήσεις αναφέρεται σε ηλεκτρικά εργαλεία με τροφοδοσία ρεύματος (με καλώδιο) και σε ηλεκτρικά εργαλεία με τροφοδοσία μπαταρίας (χωρίς καλώδιο).

Ασφάλεια χώρου εργασίας

- Διατηρείτε την περιοχή εργασίας καθαρή και με καλό φωτισμό. Αν ο χώρος εργασίας δεν είναι τακτοποιημένος ή έχει κακό φωτισμό, μπορεί να προκληθεί ατύχημα.
- Μη θέτετε σε λειτουργία ηλεκτρικά εργαλεία σε περιβάλλον με κίνδυνο έκρηξης, όπως σε μέρη που υπάρχουν εύφλεκτα υγρά, αέρια ή σκόνη. Τα ηλεκτρικά εργαλεία δημιουργούν σπινθήρες που μπορεί να αναφλέξουν τη σκόνη ή τις αναθυμιάσεις.

* Το κείμενο που χρησιμοποιείται στην ενότητα των γενικών προειδοποιήσεων ασφαλείας ηλεκτρικού εργαλείου του παρόντος εγχειρίδιου έχει μεταφερθεί κατά λέξη, όπως απαιτείται, από το ισχύον πρότυπο UL/CSA 62841-1. Η ενότητα αυτή περιλαμβάνει γενικούς κανόνες ασφαλείας για πολλούς διαφορετικούς τύπους ηλεκτρικών εργαλείων. Δεν ισχύουν όλες οι προφυλάξεις για όλα τα εργαλεία και ορισμένες δεν ισχύουν για το συγκεκριμένο εργαλείο.

- Κρατήστε τα παιδιά και τους μη μετέχοντες στην εργασία σε απόσταση ενόσω χειρίζεστε ένα ηλεκτρικό εργαλείο. Τυχόν περισπασμοί μπορεί να οδηγήσουν σε απώλεια ελέγχου του εξοπλισμού.

Ηλεκτρική ασφάλεια

- Τα βύσματα σύνδεσης των ηλεκτρικών εργαλείων πρέπει να ταιριάζουν με την αντίστοιχη πρίζα παροχής. Μη διενεργείτε ποτέ και με κανένα τρόπο τροποποιήσεις στο βύσμα. Μη χρησιμοποιείτε προσαρμογείς στα βύσματα των γειωμένων ηλεκτρικών εργαλείων. Τα εργαλεία με γείωση πρέπει να συνδέονται σε πρίζα η οποία έχει εγκατασταθεί σωστά και γειωθεί κατάλληλα, σύμφωνα με όλους τους σχετικούς κανονισμούς. Μην αφαιρείτε ποτέ την επαφή της γείωσης και μην τροποποιείτε το βύσμα με κανέναν τρόπο. Αν έχετε αμφιβολία αν η πρίζα είναι σωστά γειωμένη, ζητήστε να ελεγχθεί από διπλωματούχο ηλεκτρολόγο. Τα μη τροποποιημένα βύσματα και η σύνδεσή τους στις σωστές πρίζες παροχής μειώνουν τον κίνδυνο ηλεκτροπληξίας.
- Αποφεύγετε τη σωματική επαφή με γειωμένες επιφάνειες, όπως σωλήνες, καλοριφέρ, ηλεκτρικές κουζίνες και ψυγεία. Σε περίπτωση γείωσης του σώματός σας, υπάρχει αυξημένος κίνδυνος ηλεκτροπληξίας.

- **Μην εκθέτετε τα ηλεκτρικά εργαλεία σε βροχή ή υγρασία.** Ενδεχόμενη διείσδυση νερού σε ένα ηλεκτρικό εργαλείο θα αυξήσει τον κίνδυνο ηλεκτροπληξίας.
- **Μην κακομεταχειρίζεστε το καλώδιο. Μη χρησιμοποιείτε ποτέ το καλώδιο για να μεταφέρετε το εργαλείο ή για να τραβήξετε το βύσμα από την πρίζα. Κρατήστε το καλώδιο μακριά από θερμότητα, λάδια, αιχμηρές γωνίες ή κινούμενα μέρη του εργαλείου. Αντικαταστήστε αμέσως τα κατεστραμμένα καλώδια.** Τα κατεστραμμένα καλώδια αυξάνουν τον κίνδυνο ηλεκτροπληξίας.
- **Όταν ένα ηλεκτρικό εργαλείο χρησιμοποιείται σε εξωτερικό χώρο, πρέπει να χρησιμοποιείται καλώδιο προέκτασης εξωτερικού χώρου με την ένδειξη "W-A" ή "W".** Τα καλώδια αυτά είναι κατασκευασμένα ειδικά για χρήση σε εξωτερικό χώρο και μειώνουν τον κίνδυνο ηλεκτροπληξίας.
- **Εάν είναι αναπόφευκτη η χρήση ηλεκτρικού εργαλείου σε περιβάλλον με υγρασία, χρησιμοποιήστε παροχή που προστατεύεται με διακόπτη κυκλώματος βλάβης γείωσης (GFCI).** Η χρήση διάταξης GFCI μειώνει τον κίνδυνο ηλεκτροπληξίας.

Προσωπική ασφάλεια

- **Να είστε σε ετοιμότητα και εγρήγορη, συγκεντρωμένοι και προσεκτικοί με τις ενέργειές σας και να λειτουργείτε με γνώμονα την κοινή λογική κατά τη χρήση οποιοδήποτε ηλεκτρικού εργαλείου. Μη χρησιμοποιείτε ηλεκτρικά εργαλεία όταν είστε κουρασμένοι ή ενώ βρίσκεστε υπό την επήρεια ναρκωτικών ουσιών, αλκοόλ ή φαρμάκων.** Μια στιγμή απροσεξίας κατά τον χειρισμό του ηλεκτρικού εργαλείου, μπορεί να προκαλέσει σοβαρό τραυματισμό.
- **Χρησιμοποιείτε ατομικό προστατευτικό εξοπλισμό. Να φοράτε πάντα ειδικά προστατευτικά γυαλιά.** Ο εξοπλισμός προστασίας που χρησιμοποιείται σε τέτοιου είδους περιπτώσεις, όπως η μάσκα προστασίας από τη σκόνη, τα ειδικά υποδήματα ασφαλείας με αντιολισθητικές σόλες, το κράνος ή η προστασία ακοής, περιορίζει τον κίνδυνο σωματικών βλαβών.
- **Αποτρέψτε τυχόν μη σκόπιμη εκκίνηση του εργαλείου. Βεβαιωθείτε ότι ο διακόπτης είναι κλειστός (βρίσκεται στη θέση off) πριν συνδέσετε το εργαλείο στην παροχή ρεύματος ή/και στην μπαταρία, πριν σηκώσετε ή μεταφέρετε το εργαλείο.** Η μεταφορά ηλεκτρικών εργαλείων με το δάκτυλο στον διακόπτη ή η ενεργοποίηση ηλεκτρικών εργαλείων ενώ ο διακόπτης είναι ανοικτός (βρίσκεται στη θέση ON) ενέχουν τον κίνδυνο πρόκλησης ατυχημάτων.

- **Αφαιρέστε τυχόν κλειδιά ρύθμισης πριν θέσετε το εργαλείο σε λειτουργία.** Εάν κάποιο κλειδί παραμείνει προσαρτημένο σε περιστρεφόμενο μέρος του ηλεκτρικού εργαλείου μπορεί να προκληθεί σοβαρός τραυματισμός.
- **Χειρίζεστε πάντα το εργαλείο από την πλευρά του διακόπτη. Διατηρείτε πάντοτε σωστή, σταθερή στάση και ισορροπία.** Έτσι, ελέγχετε καλύτερα το ηλεκτρικό εργαλείο αν προκύψει κάτι απροσδόκητο.
- **Φορέστε κατάλληλη ενδυμασία. Μη φοράτε φαρδιά ενδύματα ή κοσμήματα. Κρατάτε τα μαλλιά και τα ρούχα σας μακριά από τα κινούμενα μέρη.** Τα φαρδιά ρούχα, τα κοσμήματα ή τα μακριά μαλλιά μπορεί να παγιδευτούν σε κινούμενα μέρη.
- **Εάν παρέχονται διατάξεις για τη σύνδεση συσκευών εξαγωγής και συλλογής της σκόνης, βεβαιωθείτε ότι είναι συνδεδεμένες και ότι χρησιμοποιούνται σωστά.** Η χρήση μεθόδων συλλογής σκόνης μπορεί να μειώσει τους κινδύνους που έχουν άμεση σχέση με αυτή.

Χρήση και φροντίδα του ηλεκτρικού εργαλείου

- **Μην ασκείτε πίεση στο ηλεκτρικό εργαλείο. Χρησιμοποιείτε το σωστό εργαλείο για την εκάστοτε εφαρμογή.** Όταν χρησιμοποιείτε το σωστό εργαλείο, μπορείτε να εκτελέσετε καλύτερα και ασφαλέστερα την εργασία σας σύμφωνα με τα πρότυπα με τα οποία σχεδιάστηκε.
- **Μη χρησιμοποιείτε το ηλεκτρικό εργαλείο εάν ο διακόπτης δεν μπορεί να το ενεργοποιήσει ή να το απενεργοποιήσει.** Κάθε ηλεκτρικό εργαλείο που δεν μπορεί να ελεγχθεί από τον διακόπτη ισχύος είναι επικίνδυνο και πρέπει να επισκευάζεται.
- **Αποσυνδέστε το βύσμα από την πηγή τροφοδοσίας ή/και την μπαταρία από το ηλεκτρικό εργαλείο προτού διενεργήσετε τυχόν ρυθμίσεις, αλλάξετε εξαρτήματα ή αποθηκεύσετε ηλεκτρικά εργαλεία.** Τα εν λόγω προληπτικά μέτρα ασφαλείας μειώνουν τον κίνδυνο να τεθεί κατά λάθος σε λειτουργία το ηλεκτρικό εργαλείο.
- **Φυλάξτε τα μη χρησιμοποιούμενα ηλεκτρικά εργαλεία μακριά από παιδιά και μην αφήνετε να χειριστούν το ηλεκτρικό εργαλείο άτομα που δεν είναι εξοικειωμένα με το ηλεκτρικό εργαλείο ή τις παρούσες οδηγίες.** Τα ηλεκτρικά εργαλεία είναι επικίνδυνα σε χέρια μη εκπαιδευμένων χρηστών.
- **Πραγματοποιείτε συντήρηση των ηλεκτρικών εργαλείων. Ελέγξτε για τυχόν μη ευθυγράμμιση ή μπλοκάρισμα των κινούμενων μερών, για φθορές στα εξαρτήματα και κάθε άλλη κατάσταση η οποία ενδέχεται να επηρεάσει τη λειτουργία του ηλεκτρικού εργαλείου. Εάν το εργαλείο παρουσιάζει κάποια βλάβη, φροντίστε να επισκευαστεί πριν το χρησιμοποιήσετε.** Πολλά ατυχήματα προκαλούνται από κακή συντήρηση των ηλεκτρικών εργαλείων.

- **Διατηρείτε τα εργαλεία κοπής αιχμηρά και καθαρά.** Η σωστή συντήρηση των εργαλείων κοπής με αιχμηρές κοπτικές ακμές ελαχιστοποιούν τον κίνδυνο εμπλοκής τους και καθιστούν τον έλεγχό τους ευκολότερο.
- **Χρησιμοποιείτε το ηλεκτρικό εργαλείο, τα εξαρτήματα και τα κλειδιά κλπ., σύμφωνα με τις παρούσες οδηγίες, λαμβάνοντας υπόψη τις συνθήκες εργασίας και την προς εκτέλεση εργασία.** Η χρήση του ηλεκτρικού εργαλείου για εργασίες διαφορετικές από αυτές για τις οποίες προορίζεται μπορεί να προκαλέσει επικίνδυνες καταστάσεις.

Σέρβις

- **Παραδώστε το ηλεκτρικό εργαλείο για εργασίες σέρβις σε κάποιον πιστοποιημένο αντιπρόσωπο σέρβις ο οποίος χρησιμοποιεί μόνο πανομοιότυπα ανταλλακτικά.** Έτσι, θα διασφαλιστεί η τήρηση της ασφάλειας του ηλεκτρικού εργαλείου.

Ειδικές πληροφορίες για την ασφάλεια

⚠ ΠΡΟΕΙΔΟΠΟΙΗΣΗ

Η παρούσα ενότητα περιλαμβάνει σημαντικές πληροφορίες ασφαλείας που αφορούν ειδικά το συγκεκριμένο εργαλείο.

Διαβάστε προσεκτικά αυτές τις προφυλάξεις προτού χρησιμοποιήσετε τους ηλεκτρικούς βιδολόγους 700 προκειμένου να περιορίσετε τον κίνδυνο ηλεκτροπληξίας, χτυπήματος ή άλλου σοβαρού τραυματισμού.

ΦΥΛΑΞΤΕ ΟΛΕΣ ΤΙΣ ΠΡΟΕΙΔΟΠΟΙΗΣΕΙΣ ΚΑΙ ΤΙΣ ΟΔΗΓΙΕΣ ΩΣΤΕ ΝΑ ΑΝΑΤΡΕΞΕΤΕ ΣΕ ΑΥΤΕΣ ΣΤΟ ΜΕΛΛΟΝ!

Το εγχειρίδιο αυτό πρέπει να βρίσκεται μαζί με το μηχανήμα, για χρήση από τον χειριστή.

Ασφάλεια ηλεκτρικού βιδολόγου

- **Ακολουθήστε τις οδηγίες για τη σωστή χρήση αυτού του μηχανήματος.** Πριν από τη χρήση αυτού του ηλεκτρικού βιδολόγου, διαβάστε και κατανοήστε τις οδηγίες και προειδοποιήσεις για όλο τον εξοπλισμό και τα υλικά που χρησιμοποιούνται. Εάν δεν τηρηθούν όλες οι προειδοποιήσεις και οι οδηγίες, μπορεί να προκληθούν υλικές ζημιές ή/και σοβαρός τραυματισμός.
- **Για ελικοτόμηση σωλήνων 1" (25mm) ή μεγαλύτερων, χρησιμοποιείτε μηχανισμό αντιστήριξης για αντίσταση στις δυνάμεις ελικοτόμησης.** Χρησιμοποιείτε κατάλληλο μηχανισμό αντιστήριξης, σύμφωνα με αυτές τις οδηγίες. Οι μηχανισμοί αντιστήριξης βελτιώνουν τον έλεγχο και μειώνουν τον κίνδυνο χτυπήματος, σύνθλιψης ή/και άλλων τραυματισμών.
- **Όταν χρησιμοποιείτε μηχανισμό αντιστήριξης διαφορετικό από τον παρεχόμενο βραχίονα αντιστήριξης, ο μηχανισμός θα πρέπει να αντιστηρίζεται στο πλαίσιο του μοτέρ.** Μηχανισμοί αντιστήριξης που έρχονται σε επαφή με άλλα εξαρτήματα ενδέχεται να προκαλέσουν ζημιά στα εξαρτήματα του μηχανήματος και να αυξήσουν τον κίνδυνο τραυματισμού.
- **Κρατάτε πάντα σταθερά τον ηλεκτρικό βιδολόγο κατά την ελικοτόμηση ή την εξαγωγή της φιλιέρας από το σωλήνα ώστε να υπάρχει αντίσταση στις δυνάμεις ελικοτόμησης, ανεξαρτήτως εάν χρησιμοποιείτε και μηχανισμό αντιστήριξης.** Με τον τρόπο αυτό θα μειώσετε τον κίνδυνο χτυπήματος, σύνθλιψης και άλλων τραυματισμών.
- **Μη χρησιμοποιείτε αυτόν τον ηλεκτρικό βιδολόγο εάν έχει καταστραφεί το κουμπί διακόπτη.** Ο διακόπτης αυτός αποτελεί διάταξη ασφαλείας και σας δίνει τη δυνατότητα να σταματήσετε το μοτέρ ελευθερώνοντας το διακόπτη.
- **Μη φοράτε γάντια ή φαρδιά ρούχα όταν χειρίζεστε μηχανήματα.** Τα μανίκια και το μπουφάν σας πρέπει να είναι κουμπωμένα. Μην τεντώνετε τα χέρια σας πάνω από το μηχανήμα ή τον σωλήνα. Μπορεί να πιαστούν και να μπλεχτούν τα ρούχα σας στον σωλήνα ή το μηχανήμα.
- **Ένα άτομο πρέπει να ελέγχει τη διαδικασία εργασίας και τη λειτουργία του μηχανήματος.** Όταν το μηχανήμα είναι σε λειτουργία, στην περιοχή εργασίας πρέπει να βρίσκεται μόνο ο χειριστής. Με αυτόν τον τρόπο μειώνεται ο κίνδυνος τραυματισμού.
- **Μη χρησιμοποιείτε μαχαίρια που είναι στομωμένα ή έχουν υποστεί ζημιά.** Όταν είναι αιχμηρά τα εργαλεία κοπής απαιτείται μικρότερη ροπή και είναι ευκολότερος ο χειρισμός του ηλεκτρικού βιδολόγου.
- **Διατηρείτε τις λαβές στεγνές και καθαρές, χωρίς λάδια και γράσα.** Θα έχετε καλύτερο έλεγχο του εργαλείου.
- **Διατηρείτε το δάπεδο στεγνό και καθαρό, χωρίς γλιστερά υλικά όπως λάδι.** Σε ολισθηρό δάπεδο είναι πολύ πιθανό να συμβεί ατύχημα.
- **Με τους ηλεκτρικούς βιδολόγους RIDGID 700 χρησιμοποιείτε μόνο φιλιέρες RIDGID, γιατί οι άλλες φιλιέρες ενδέχεται να μην εφαρμόζουν σωστά στον ηλεκτρικό βιδολόγο, αυξάνοντας έτσι τον κίνδυνο να προκληθεί ζημιά στον εξοπλισμό ή τραυματισμός.**

- Σε περίπτωση χρήσης σε άλλες εφαρμογές πλην αυτών που περιγράφονται στο παρόν εγχειρίδιο, χρησιμοποιήστε μηχανισμό αντιστήριξης για αντίσταση στις δυνάμεις που αναπτύσσονται στη λαβή. Οι μηχανισμοί αντιστήριξης βελτιώνουν τον έλεγχο και μειώνουν τον κίνδυνο χτυπήματος, σύνθλιψης και/ή άλλων τραυματισμών.

Εάν έχετε οποιαδήποτε απορία σχετικά με το παρόν προϊόν RIDGID®:

- Επικοινωνήστε με τον τοπικό διανομέα RIDGID®.
- Επισκεφθείτε τον δικτυακό τόπο RIDGID.com για να βρείτε το σημείο επικοινωνίας RIDGID στην περιοχή σας.
- Επικοινωνήστε με το Τμήμα Σέρβις της Ridge Tool στην ηλεκτρονική διεύθυνση rttechservices@emerson.com ή για ΗΠΑ και Καναδά καλέστε στο (800) 519-3456.

Περιγραφή, τεχνικά χαρακτηριστικά και στάνταρ εξοπλισμός

Περιγραφή

Το μοντέλο 700 του ηλεκτρικού βιδολόγου RIDGID® έχει σχεδιαστεί για την ηλεκτρική ελικοτόμηση σωλήνων και αγωγών. Μπορείτε να επιλέξετε δεξιόστροφη ή αριστερόστροφη περιστροφή με τον διακόπτη αντιστροφής.

Ο ηλεκτρικός βιδολόγος χρησιμοποιείται με φιλιέρες RIDGID 12-R (σωλήνες 1/8" – 2"). Μπορούν να χρησιμοποιηθούν και άλλες φιλιέρες RIDGID, όπως η 00-R και η 11-R, με προσαρμογέα.

Για ελικοτόμηση σωλήνων 1" ή μεγαλύτερων, απαιτείται μηχανισμός αντιστήριξης, όπως είναι ο βραχίονα αντιστήριξης 775 ή το κλειδί σωλήνων βαρέως τύπου RIDGID 14", για αντίσταση στις δυνάμεις ελικοτόμησης.

Ο ηλεκτρικός βιδολόγος μπορεί επίσης να χρησιμοποιηθεί για παροχή ισχύος στον κόφτη σωλήνων RIDGID 258 καθώς και σε άλλες εφαρμογές, (βλ. «Άλλες χρήσεις»).



Εικόνα 1 – Μοντέλο 700 του ηλεκτρικού βιδολόγου

Τεχνικά χαρακτηριστικά

Δυνατότητα ελικοτόμησης.....	Σωλήνας 1/8" έως 2" (3 έως 50 mm) Άξονας 1/4" έως 1" (6 έως 25 mm) με φιλιέρα 00-RB		
Μοτέρ:			
Τύπος.....	Γενικής χρήσης, αντιστρεπτό		
Βολτ.....	110	120	220-240
Αμπέρ.....	13,5	13,5	6,5
Συχνότητα.....	50/60 Hz	50/60 Hz	50/60 Hz
Τροφοδοσία.....	1500	1500	1500
Ταχύτητα λειτουργίας.....	26-30 σ.α.λ., χωρίς φορτίο		
Χειριστήρια.....	Διακόπτης αντιστροφής διπλής κατεύθυνσης, με ελατήριο επιστροφής στη θέση OFF		
Μειωτήρας.....	Χυτοπρεσσαριστό αλουμίνιο, γρανάζι-ατέρμων κοχλίας, ελατηριωτή καστάνια προσαρμογέα, γρανάζι ατράκτου από σκληρυμένο χάλυβα		

Διαστάσεις:

Μήκος.....	28 3/4" (717 mm)
Πλάτος.....	6 1/16" (154 mm)
Ύψος.....	7 3/16" (198 mm)
Βάρος.....	25 lbs. (11 kg)
Ηχητική πίεση (L _{PA})**.....	98,4 dB(A), K=3
Ηχητική ισχύς (L _{WA})**.....	107 dB(A), K=3
Δόνηση**.....	2,5 m/s ² , K=1,5

* Για πληροφορίες σχετικά με το συγκεκριμένο μηχάνημα, ανατρέξτε στην πινακίδα σειριακού αριθμού του μηχανήματός σας – Είναι διαθέσιμες και άλλες εκδόσεις.

** Οι μετρήσεις ήχου και δόνησης γίνονται σύμφωνα με ένα τυποποιημένο τεστ βάσει του Προτύπου EN 62481-1.

- Τα επίπεδα δονήσεων μπορούν να χρησιμοποιηθούν για σύγκριση με άλλα εργαλεία και για την προκαταρκτική εκτίμηση έκθεσης.

- Οι εκπομπές ήχου και δονήσεων ενδέχεται να διαφέρουν λόγω της τοποθεσίας που βρίσκεστε και της ειδικής χρήσης των εργαλείων αυτών.

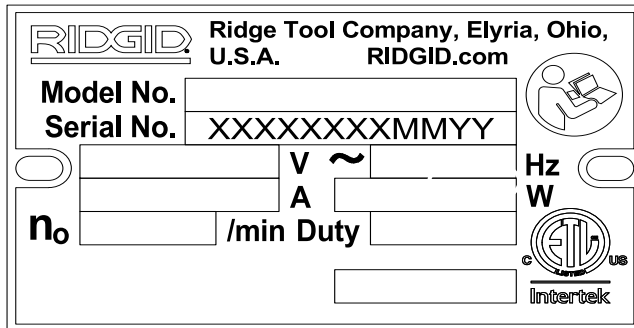
- Για κάθε εφαρμογή πρέπει να αξιολογούνται τα καθημερινά επίπεδα έκθεσης στον ήχο και τις δονήσεις και να λαμβάνονται τα κατάλληλα μέτρα ασφαλείας όπου απαιτείται. Η εκτίμηση των επιπέδων έκθεσης πρέπει να λαμβάνει υπόψη τον χρόνο που ένα εργαλείο είναι απενεργοποιημένο και δεν χρησιμοποιείται. Με τον τρόπο αυτό μπορεί να μειωθούν σημαντικά τα επίπεδα έκθεσης στη συνολική διάρκεια της εργασίας.

Βασικός εξοπλισμός

Οι ηλεκτρικοί βιδολόγοι 700 συνοδεύονται από τα παρακάτω εξαρτήματα:

- Ηλεκτρικός βιδολόγος 700 • Ράβδος ενίσχυσης ροπής σπινάλ
- Μηχανισμός αντιστήριξης • Εγχειρίδιο χειριστή

Η πινακίδα του αριθμού σειράς του ηλεκτρικού βιδολόγου 700 βρίσκεται στο κάτω μέρος του πλαισίου του μοτέρ. Τα 4 τελευταία ψηφία δείχνουν το μήνα και το έτος κατασκευής. (12 = μήνας, 15 = έτος).



Εικόνα 2 – Αριθμός σειράς μηχανήματος

ΕΠΙΣΗΜΑΝΣΗ Ο σχεδιαστής του συστήματος και/ή ο επιβλέπων την εγκατάσταση είναι υπεύθυνοι να επιλέξουν τα κατάλληλα υλικά και την κατάλληλη τεχνική εγκατάσταση, καθώς και τις μεθόδους συναρμογής και διαμόρφωσης. Αν επιλεγθούν ακατάλληλα υλικά ή ακατάλληλες μέθοδοι, μπορεί να προκληθεί βλάβη του συστήματος.

Τα εξαρτήματα από ανοξείδωτο χάλυβα ή από άλλα υλικά ανθεκτικά στη διάβρωση μπορεί να μολυνθούν κατά την εγκατάσταση, τη συναρμογή και τη διαμόρφωση του συστήματος. Η μόλυνση αυτή μπορεί να προκαλέσει διάβρωση και πρόωρη αστοχία. Πριν προχωρήσετε στην εγκατάσταση, θα πρέπει να έχουν αξιολογηθεί προσεκτικά όλα τα υλικά και οι μέθοδοι για τις συνθήκες της συγκεκριμένης εφαρμογής, όπως όλες οι χημικές παράμετροι και οι παράμετροι που αφορούν τη θερμοκρασία.

Επιθεώρηση πριν τη λειτουργία

⚠ ΠΡΟΕΙΔΟΠΟΙΗΣΗ



Πριν από κάθε χρήση, ελέγξτε τον Ηλεκτρικό Βιδολόγο 700 και διορθώστε τυχόν προβλήματα, ώστε να μειωθεί ο κίνδυνος σοβαρού τραυματισμού από ηλεκτροπληξία, σύνθλιψη και άλλα αίτια και να προληφθεί τυχόν βλάβη του βιδολόγου.

1. Βεβαιωθείτε ότι ο ηλεκτρικός βιδολόγος δεν είναι στην πρίζα.
2. Καθαρίστε τον ηλεκτρικό βιδολόγο και το μηχανισμό αντιστήριξης από τυχόν λάδια, γράσα ή ακαθαρσίες, συμπεριλαμβανομένων των λαβών και κουμπιών. Έτσι

διευκολύνεται ο έλεγχος και μειώνεται η πιθανότητα να σας γλιστρήσει το μηχάνημα ή κάποιο χειριστήριο.

3. Επιθεωρήστε τον ηλεκτρικό βιδολόγο ως προς τα εξής:
 - Ζημιά ή τροποποίηση στο καλώδιο και το βύσμα.
 - Σωστή συναρμολόγηση, συντήρηση και πληρότητα.
 - Κατεστραμμένα, μη ευθυγραμμισμένα ή μπλοκαρισμένα εξαρτήματα.
 - Σωστή λειτουργία του διακόπτη. Βεβαιωθείτε ότι λειτουργεί ομαλά και δεν κολλάει.
 - Ύπαρξη και καλή κατάσταση των ετικετών προειδοποίησης (Εικόνα 3).
 - Κάθε άλλη κατάσταση που μπορεί να εμποδίσει την ασφαλή και κανονική λειτουργία του μηχανήματος.

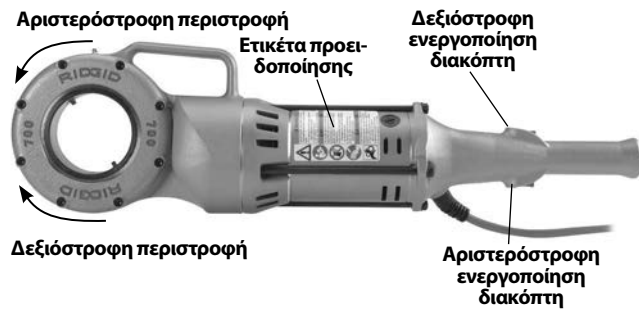
Σε περίπτωση που εντοπίσετε προβλήματα, μη χρησιμοποιήσετε τον ηλεκτρικό βιδολόγο ή το μηχανισμό αντιστήριξης αν το πρόβλημα δεν αποκατασταθεί.

4. Ελέγξτε τον βραχίονα αντιστήριξης. Βεβαιωθείτε για την καθαριότητα και την καλή κατάσταση των δοντιών σύσφιξης. Μπορείτε να καθαρίσετε τα δόντια με συρματένια βούρτσα.
5. Ελέγξτε τις κοπτικές ακμές των μαχαιριών για τυχόν φθορά, παραμόρφωση, σπασίματα ή άλλα προβλήματα. Όταν τα εξαρτήματα κοπής είναι στομωμένα ή φθαρμένα αυξάνεται η δύναμη που απαιτείται, δημιουργούνται σπειρώματα κακής ποιότητας και αυξάνεται ο κίνδυνος τραυματισμού.
6. Ελέγχετε και συντηρείτε τυχόν άλλα εξαρτήματα που χρησιμοποιείτε σύμφωνα με τις αντίστοιχες οδηγίες, προκειμένου να διασφαλίσετε τη σωστή τους λειτουργία.
7. Ελέγχετε τη σωστή λειτουργία του ηλεκτρικού βιδολόγου, ακολουθώντας τις οδηγίες *Ρύθμισης και Λειτουργίας*.
 - Πατήστε και αφήστε τον διακόπτη για ΔΕΞΙΟΣΤΡΟΦΗ περιστροφή και επαναλάβετε για ΑΡΙΣΤΕΡΟΣΤΡΟΦΗ περιστροφή, σύμφωνα με την Εικόνα 3. Βεβαιωθείτε ότι ο ηλεκτρικός βιδολόγος περιστρέφεται όπως δείχνει η Εικόνα 3 και ότι ο διακόπτης ελέγχει τη λειτουργία του μηχανήματος.

Πριν αντιστρέψετε την κατεύθυνση με το κουμπί διακόπτη, αφήστε τον ηλεκτρικό βιδολόγο για σταματήσει τελείως. Με τον τρόπο αυτό θα αποφύγετε τον κίνδυνο να προκληθεί ζημιά στον ηλεκτρικό βιδολόγο.

- Πατήστε και κρατήστε πατημένο το κουμπί διακόπτη. Ελέγξτε τα κινούμενα εξαρτήματα για κακή ευθυγράμμιση, μπλοκάρισμα, περιέργους θορύβους ή άλλες ασυνήθιστες καταστάσεις. Αφήστε τον διακόπτη.

Αν το μηχάνημα δεν λειτουργεί σωστά ή αν διαπιστώσετε οποιοδήποτε ασυνήθιστες καταστάσεις, μην χρησιμοποιήσετε το μηχάνημα μέχρι να επισκευαστεί.



Εικόνα 3 – Θέση του διακόπτη για περιστροφική κατεύθυνση

8. Απελευθερώστε το κουμπί διακόπτη και βγάλτε το μηχανήμα από την πρίζα με στεγνά χέρια.

Ρύθμιση και λειτουργία

⚠ ΠΡΟΕΙΔΟΠΟΙΗΣΗ



Η ρύθμιση και λειτουργία του ηλεκτρικού βιδολόγου 700 πρέπει να γίνεται σύμφωνα με τις ακόλουθες οδηγίες, ώστε να μειώνεται ο κίνδυνος τραυματισμού από ηλεκτροπληξία, εμπλοκή, χτύπημα, σύνθλιψη ή άλλα αίτια και να προλαμβάνεται η πρόκληση ζημιάς στον ηλεκτρικό βιδολόγο.

Για ελικοτόμηση σωλήνων 1" (25mm) ή μεγαλύτερων, χρησιμοποιείτε μηχανισμό αντιστήριξης για αντίσταση στις δυνάμεις ελικοτόμησης. Χρησιμοποιείτε κατάλληλο μηχανισμό αντιστήριξης, σύμφωνα με αυτές τις οδηγίες. Οι μηχανισμοί αντιστήριξης βελτιώνουν τον έλεγχο και μειώνουν τον κίνδυνο χτυπήματος, σύνθλιψης και/ή άλλων τραυματισμών.

Κρατάτε πάντα σταθερά τον ηλεκτρικό βιδολόγο κατά την ελικοτόμηση ή την εξαγωγή της φιλιέρας από τον σωλήνα ώστε να υπάρχει αντίσταση στις δυνάμεις ελικοτόμησης, ανεξαρτήτως εάν χρησιμοποιείτε και μηχανισμό αντιστήριξης. Με τον τρόπο αυτό θα μειώσετε τον κίνδυνο χτυπήματος, σύνθλιψης και άλλων τραυματισμών.

Στηρίζετε σωστά το σωλήνα. Με τον τρόπο αυτό θα μειώσετε τον κίνδυνο πτώσης του σωλήνα, ανατροπής και σοβαρού τραυματισμού.

Μη χρησιμοποιείτε τον ηλεκτρικό βιδολόγο εάν το κουμπί διακόπτη δεν λειτουργεί σωστά.

Μη φοράτε γάντια ή φαρδιά ρούχα όταν χειρίζετε μηχανήματα. Τα μανίκια και το μπουφάν σας πρέπει να είναι κουμπωμένα. Μην τεντώνετε τα χέρια σας πάνω από το μηχανήμα ή τον σωλήνα.

Μπορεί να πιαστούν και να μπλεχτούν τα ρούχα σας στον σωλήνα ή το μηχανήμα.

Η διαδικασία της εργασίας και το κουμπί διακόπτη πρέπει να ελέγχονται από ένα μόνο άτομο. Μη χρησιμοποιείτε το μηχανήμα με περισσότερα από ένα άτομα. Σε περίπτωση παγίδευσης, ο χειριστής θα πρέπει να έχει τον έλεγχο του διακόπτη.

- Ελέγξτε την περιοχή εργασίας για:
 - Επαρκή φωτισμό.
 - Εύφλεκτα υγρά, ατμούς ή σκόνη που ενδέχεται να αναφλεγούν. Αν υπάρχει κάτι από τα παραπάνω, μην εργαστείτε στον συγκεκριμένο χώρο μέχρι να εντοπιστούν οι αιτίες και αντιμετωπιστεί το πρόβλημα. Οι ηλεκτρικοί βιδολόγοι δεν είναι αντιαεκρηκτικού τύπου και μπορεί να δημιουργήσουν σπινθήρες.
 - Καθαρός, επίπεδος, σταθερός και στεγνός χώρος για όλο τον εξοπλισμό και τον χειριστή.
 - Καλός εξαερισμός. Μη χρησιμοποιείτε παρατεταμένα τον εξοπλισμό σε μικρούς και κλειστούς χώρους.
 - Κατάλληλα συνδεδεμένη ηλεκτρική πρίζα με σωστή τάση. Εάν έχετε αμφιβολία, ζητήστε να ελέγξει την πρίζα διπλωματούχος ηλεκτρολόγος.
 - Ελεύθερη δίοδος προς την ηλεκτρική πρίζα παροχής που να μην περιέχει πιθανές πηγές βλαβών για το ηλεκτρικό καλώδιο.
- Ελέγξτε τον σωλήνα που θα ελικοτομηθεί και τους συναφείς συνδέσμους και βεβαιωθείτε ότι ο ηλεκτρικός βιδολόγος 700 που έχετε επιλέξει είναι το κατάλληλο εργαλείο για την εργασία σας. Βλ. τεχνικά χαρακτηριστικά.

Για άλλες εφαρμογές, μπορείτε να βρείτε εξοπλισμό στον κατάλογο της Ridge Tool, και διαδικτυακά στη διεύθυνση RIDGID.com, ή να καλέσετε το Τμήμα Σέρβις της Ridge Tool στις ΗΠΑ και τον Καναδά στο (800) 519-3456.

- Βεβαιωθείτε ότι ο εξοπλισμός που θα χρησιμοποιήσετε έχει ελεγχθεί προσεκτικά.
- Προετοιμάστε κατάλληλα το σωλήνα, όπως απαιτείται. Βεβαιωθείτε ότι ο σωλήνας είναι κομμένος κάθετα και χωρίς ρινίσματα. Σωλήνες κομμένοι υπό γωνία ενδέχεται να προκαλέσουν ζημιά στα μαχαίρια κατά την ελικοτόμηση ή δυσκολίες στη λειτουργία της φιλιέρας.
- Βεβαιωθείτε ότι ο σωλήνας που θα ελικοτομηθεί βρίσκεται σε σταθερή και ασφαλισμένη θέση για να αποφεύγετε τυχόν ανατροπή κατά τη χρήση. Χρησιμοποιήστε τα κατάλληλα στηρίγματα για υποστήριξη του σωλήνα σε όλο το μήκος του.
- Ελέγξτε τη στάθμη του λαδιού κοπής σπειρωμάτων RIDGID στο λαδικό RIDGID 418. Αφαιρέστε το δίσκο υπολειμμάτων και βεβαιωθείτε ότι το διάφραγμα του φίλτρου είναι καθαρό και πλήρως βυθισμένο στο λάδι.

Αναπληρώστε ή προσθέστε λάδι, όπως απαιτείται. Τοποθετήστε το δοχείο του λαδικού 418 κάτω από το άκρο του σωλήνα που θα ελικοτομήσετε.

Τοποθέτηση φιλιέρων

1. Βεβαιωθείτε ότι ο ηλεκτρικός βιδολόγος δεν είναι στην πρίζα.
2. Σπρώξτε τη φιλιέρα 12-R ή τον προσαρμογέα (βλ. Προαιρετικός εξοπλισμός), από την πλευρά του αυλακωτού άκρου, κάθετα στον ηλεκτρικό βιδολόγο μέχρι η ελατηριωτή κασάνια να ασφαλίσει καλά στην αυλάκωση. (Εικόνα 4). Η φιλιέρα ή ο προσαρμογέας μπορεί να εισαχθεί σε οποιαδήποτε από τις δύο πλευρές του ηλεκτρικού βιδολόγου. Ορισμένες φορές, πρέπει να περιστρέψετε τη φιλιέρα/προσαρμογέα για να συνδεθεί η κασάνια. Στους προσαρμογείς 770 και 773, η φιλιέρα πρέπει να έχει τοποθετηθεί στον προσαρμογέα πριν εισαχθεί στον ηλεκτρικό βιδολόγο.
3. Για να αφαιρέσετε τη φιλιέρα, τραβήξτε την κάθετα από τον ηλεκτρικό βιδολόγο. Αν χρειάζεται, χρησιμοποιήστε ένα μαλακό σφυρί ή ένα κομμάτι ξύλο για να βγάλετε τη φιλιέρα με μικρά χτυπηματάκια. Μη χτυπάτε δυνατά τη φιλιέρα γιατί μπορεί να προκαλέσετε ζημιά στο εργαλείο.



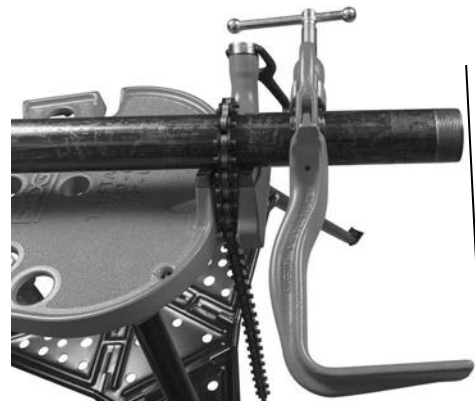
Εικόνα 4 – Τοποθέτηση φιλιέρων στον ηλεκτρικό βιδολόγο 700

Αντίσταση στις δυνάμεις ελικοτόμησης (Μηχανισμοί αντιστήριξης)

Για δεξιά ελικοτόμηση, η φιλιέρα λειτουργεί δεξιόστροφα (κοιτώντας την όψη της φιλιέρας). Οι δυνάμεις από τη ροπή ελικοτόμησης θα αναπτύσσονται στην αντίθετη, δηλαδή αριστερόστροφη, κατεύθυνση. Η περιστροφή και οι δυνάμεις θα είναι αντίστροφες στην περίπτωση αριστερής ελικοτόμησης. Βεβαιωθείτε ότι έχετε τοποθετήσει μηχανισμό αντιστήριξης ο οποίος απορροφά κατάλληλα και αντιστέκεται στις δυνάμεις ελικοτόμησης.

Χρήση του βραχίονα αντιστήριξης 775:

1. Το άγκιστρο τύπου ζυγού του βραχίονα στήριξης μπορεί να τοποθετηθεί σε οποιαδήποτε πλευρά. Σφίξτε καλά τον κοχλιωτό δακτύλιο.
2. Τοποθετήστε τον βραχίονα αντιστήριξης στον σωλήνα, έτσι ώστε το άκρο του βραχίονα να βρίσκεται σε ευθεία γραμμή με το άκρο του σωλήνα και ο ηλεκτρικός βιδολόγος 700 να βρίσκεται ελαφρά πιο πάνω από το οριζόντιο επίπεδο (Εικόνα 5 και 6). Με τον τρόπο αυτό, τοποθετείται σωστά ο βραχίονας αντιστήριξης για την ελικοτόμηση και αποφεύγεται η διαρροή του λαδιού ελικοτόμησης από τον ηλεκτρικό βιδολόγο.
3. Βεβαιωθείτε ότι οι σιαγόνες του βραχίονα αντιστήριξης βρίσκονται σε ευθεία γραμμή κάθετα στο σωλήνα και στερεώνουν καλά το βραχίονα αντιστήριξης.



Εικόνα 5 – Βραχίονας στήριξης ευθυγραμμισμένος με το άκρο του σωλήνα



Εικόνα 6 – Βραχίονας στήριξης τοποθετημένος με τον ηλεκτρικό βιδολόγο 700 ελαφρά πιο πάνω από το οριζόντιο επίπεδο

Χρήση κλειδιού σωλήνα βαρέως τύπου RIDGID 12", 14" ή 18":

1. Τοποθετήστε καλά τη ράβδο ενίσχυσης ροπής σπирάλ στο περίβλημα ανεμιστήρα του ηλεκτρικού βιδολόγου 700. Μπορείτε επίσης να χρησιμοποιήσετε χαλυβδοσωλήνα ½" μήκους 5" (127 mm), με πάχος τοιχώματος 80 και με σπείρωμα ½" NPT.
2. Τοποθετήστε το κλειδί σωλήνα βαρέως τύπου RIDGID 12", 14" ή 18" περίπου 7" (175 mm) από το άκρο του σωλήνα (βλ. Εικόνα 7). Δοκιμάστε για να βεβαιωθείτε ότι το κλειδί είναι καλά στερεωμένο και δεν θα πέσει ούτε θα μετακινηθεί.
3. Όταν θα ξεκινήσετε την ελικοτόμηση, η ράβδος ενίσχυσης ροπής σπирάλ θα εδράζεται στη λαβή του κλειδιού σωλήνα.



Εικόνα 7 – Ελικοτόμηση με χρήση κλειδιού σωλήνα ως βραχίονα αντιστήριξης

Άλλες μέθοδοι αντιστήριξης:

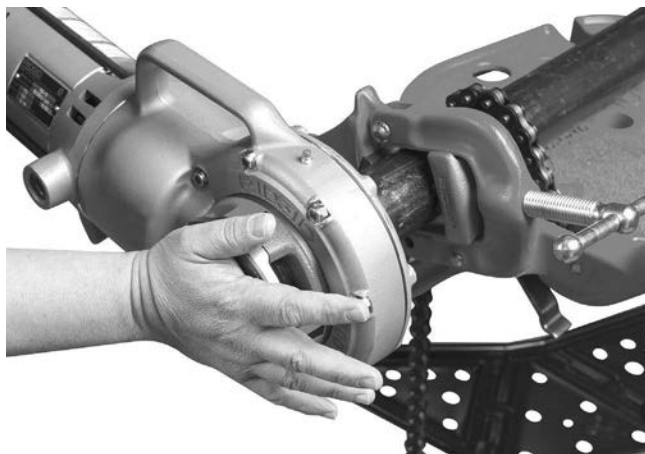
Στηρίξτε το περίβλημα μοτέρ του ηλεκτρικού βιδολόγου (βλ. Εικόνα 1) σε παρακείμενο δομικό στοιχείο (π.χ. τοίχο, δοκίδα ή δοκό). Στην περίπτωση αυτή, ο σωλήνας που ελικοτομείται και ο περιβάλλον χώρος πρέπει να αντέχουν το βάρος του εργαλείου και τις δυνάμεις ελικοτόμησης. Ενδέχεται να απαιτείται η προσθήκη προσωρινών ή μόνιμων στηριγμάτων σωλήνα ή δομικών στοιχείων για αντίσταση στις δυνάμεις ελικοτόμησης.

Για σωλήνες διαμέτρου ¾" ή μικρότερης:

Σωλήνες ονομαστικών διαστάσεων ¾" ή μικρότεροι μπορούν να ελικοτομηθούν χωρίς τη χρήση μηχανισμού αντιστήριξης. Στην περίπτωση αυτή, η αντίσταση στις δυνάμεις ελικοτόμησης γίνεται από το χειριστή. Ο σωλήνας πρέπει να έχει ασφαλίσει σωστά ώστε να μην περιστρέφεται. Κρατάτε πάντα σταθερά τον ηλεκτρικό βιδολόγο κατά την ελικοτόμηση ή την εξαγωγή της φιλιέρας από το σωλήνα ώστε να υπάρχει αντίσταση στις δυνάμεις που αναπτύσσονται. Με τον τρόπο αυτό θα μειώσετε τον κίνδυνο χτυπήματος, σύνθλιψης και άλλων τραυματισμών.

Ελικοτόμηση

1. Συνδέστε τον ηλεκτρικό βιδολόγο στην πρίζα με στεγνά χέρια.
2. Τοποθετήστε τη φιλιέρα πάνω στο άκρο του σωλήνα και στηρίξτε τον ηλεκτρικό βιδολόγο, σύμφωνα με τις οδηγίες στην ενότητα για την αντίσταση στις δυνάμεις ελικοτόμησης. Διατηρείτε πάντα τη στήριξη του ηλεκτρικού βιδολόγου στον μηχανισμό αντιστήριξης. Μην τοποθετείτε αντικείμενα ανάμεσα στον ηλεκτρικό βιδολόγο και τον μηχανισμό αντιστήριξης – αυξάνεται ο κίνδυνος τραυματισμών από παγίδευση και σύνθλιψη.
3. Πάρτε σωστή θέση για τον χειρισμό ώστε να έχετε τον έλεγχο του μηχανήματος (βλ. Εικόνα 9),
 - Βεβαιωθείτε ότι έχετε σταθερή ισορροπία και δεν χρειάζεται να τεντώνετε υπερβολικά.
 - Βεβαιωθείτε ότι μπορείτε να ελέγξετε το κουμπί διακόπτη και το μηχάνημα. Μην πατάτε ακόμη τον διακόπτη. Σε περίπτωση έκτακτης ανάγκης, θα πρέπει να μπορείτε να αφήσετε τον διακόπτη.



Εικόνα 8 – Έναρξη ελικοτόμησης

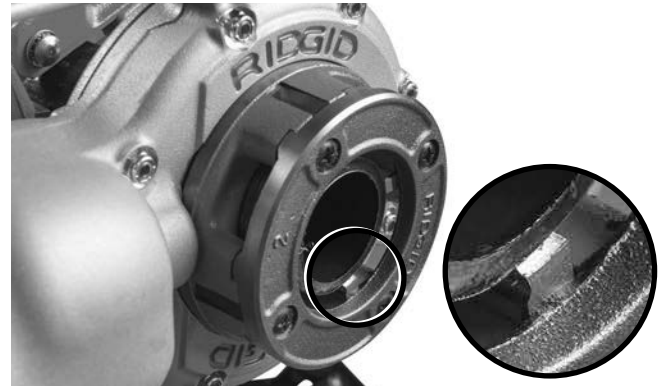
4. Πατήστε το κουμπί διακόπτη (βλ. Εικόνα 3) και ταυτόχρονα πιέστε το κάλυμμα της φιλιέρας με την παλάμη του ελεύθερου χεριού σας για να ξεκινήσει η ελικοτόμηση. (Εικόνα 8). Μη φοράτε γάντια ή κοσμήματα και μη χρησιμοποιείτε πανιά όταν πιέζετε το κάλυμμα, γιατί αυξάνεται ο κίνδυνος να πιαστούν στο εργαλείο και να τραυματιστείτε. Μόλις τα μαχαίρια αρχίσουν να λειτουργούν στο σωλήνα, θα κόβονται σπειρώματα μέχρι τα μαχαίρια φτάσουν στο τέλος του σωλήνα .

Κρατάτε πάντα σταθερά τη λαβή του ηλεκτρικού βιδολόγου για αντίσταση στις δυνάμεις που αναπτύσσονται στη λαβή. Οι μηχανισμοί αντιστήριξης μπορεί να γλιστρήσουν με αποτέλεσμα να μετακινηθεί ο ηλεκτρικός βιδολόγος. Για να σταματήσετε τη λειτουργία του ηλεκτρικού βιδολόγου.



Εικόνα 9 – Ελικοτόμηση σωλήνα

5. Σταματήστε να πιέζετε το κάλυμμα και χρησιμοποιήστε το λαδικό για να ρίξετε αρκετή ποσότητα λαδιού κοπής σπειρωμάτων RIDGID στην περιοχή ελικοτόμησης. Με τον τρόπο αυτό μειώνεται η ροπή ελικοτόμησης, βελτιώνεται η ποιότητα του σπειρώματος και αυξάνεται η διάρκεια ζωής του μαχαιριού.
6. Κρατήστε πατημένο τον διακόπτη ωσότου το άκρο του σωλήνα βρεθεί στο ίδιο επίπεδο με το άκρο των μαχαιριών (Εικόνα 10). Βεβαιωθείτε ότι ο ηλεκτρικός βιδολόγος δεν συγκρούεται με τον μηχανισμό αντιστήριξης. Αφήστε το κουμπί διακόπτη. Αφήστε τον ηλεκτρικό βιδολόγο να σταματήσει εντελώς.



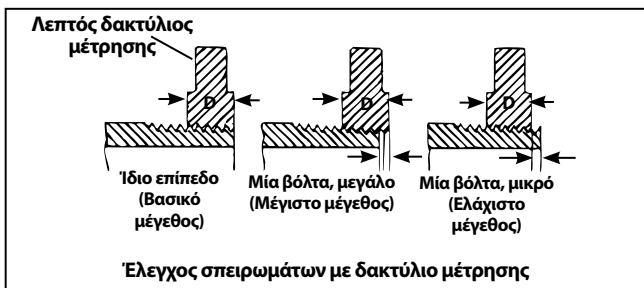
Εικόνα 10 – Σωλήνας στο ίδιο επίπεδο με το άκρο των μαχαιριών

7. Ενεργοποιήστε το κουμπί διακόπτη στην αντίστροφη κατεύθυνση για να αφαιρέσετε τη φιλιέρα από τον σωλήνα που ελικοτομήσατε. Κρατήστε σταθερά τη λαβή του ηλεκτρικού βιδολόγου για αντίσταση στις δυνάμεις που αναπτύσσονται στη λαβή κατά τη θραύση των κομματιών μετάλλου και την εξαγωγή της φιλιέρας.
8. Απελευθερώστε τον διακόπτη και αφαιρέστε τον ηλεκτρικό βιδολόγο και τη φιλιέρα από τον σωλήνα.
9. Βγάλτε τον ηλεκτρικό βιδολόγο από την πρίζα με στεγνά χέρια.
10. Σκουπίστε το λάδι και τα υπολείμματα από τα σπειρώματα και από τη φιλιέρα, φροντίζοντας να μην κοπείτε στα αιχμηρά μεταλλικά υπολείμματα ή στις ακμές. Καθαρίστε το λάδι που έχει χυθεί στην περιοχή εργασίας.

Έλεγχος σπειρωμάτων

1. Αφαιρέστε τυχόν λάδια, κομματάκια μετάλλου ή υπολείμματα από το σπείρωμα.
2. Ελέγξτε το σπείρωμα οπτικά. Τα σπειρώματα πρέπει να είναι ομαλά και εντελή, σε καλή μορφή. Σε περίπτωση που παρατηρούνται προβλήματα όπως κοψίματα στο σπείρωμα, λεπτά σπειρώματα ή μη ελικοειδής επιφάνεια σωλήνα, το σπείρωμα ενδέχεται να μη σφραγίζει όταν δημιουργηθεί. Ανατρέξτε στην ενότητα «Επίλυση προβλημάτων» για βοήθεια στη διάγνωση αυτών των προβλημάτων.
3. Ελέγξτε το μέγεθος του σπειρώματος. Η προτιμητέα μέθοδος για τον έλεγχο του μεγέθους του σπειρώματος είναι ο δακτύλιος μέτρησης. Υπάρχουν διάφορα είδη δακτυλίων μέτρησης και η χρήση τους μπορεί να διαφέρει από τη χρήση που περιγράφεται στην Εικόνα 11.
 - Βιδώστε και σφίξτε με το χέρι τον δακτύλιο μέτρησης στο σπείρωμα.

- Δείτε πόσο εκτείνεται το άκρο του σωλήνα μέσα από τον δακτύλιο μέτρησης. Το άκρο του σωλήνα πρέπει να είναι στο ίδιο επίπεδο με την πλευρά του μετρητή συν ή πλην μια βόλτα. Αν η μέτρηση του σπειρώματος δεν είναι σωστή, κόψτε το σπείρωμα, ρυθμίστε τη φιλιέρα και πραγματοποιήστε άλλη ελικοτόμηση. Η χρήση σπειρώματος που δεν έχει σωστή μέτρηση μπορεί να προκαλέσει διαρροές.



Εικόνα 11 – Έλεγχος μεγέθους σπειρώματος

- Εάν δεν διαθέτετε δακτύλιο μέτρησης για να ελέγξετε το μέγεθος του σπειρώματος, μπορείτε να χρησιμοποιήσετε έναν καινούργιο καθαρό σύνδεσμο σαν αυτούς που χρησιμοποιούνται στις αντίστοιχες εργασίες για μέτρηση του μεγέθους των σπειρωμάτων. Για σπειρώματα NPT 2" και κάτω, τα σπειρώματα θα πρέπει να κόβονται ώστε να έχουν 4 έως 5 βόλτες για σφίξιμο με το χέρι με το σύνδεσμο, ενώ για σπειρώματα BSPT 2" και κάτω, οι βόλτες θα πρέπει να είναι 3.

Ηλεκτρικός βιδολόγος 700 – Άλλες χρήσεις

Αυτό το εγχειρίδιο περιέχει συγκεκριμένες οδηγίες για τη χρήση του ηλεκτρικού βιδολόγου 700 για ελικοτόμηση με διάφορες φιλιέρες RIDGID. Όταν χρησιμοποιείτε τον βιδολόγο με άλλον εξοπλισμό RIDGID (π.χ. με ηλεκτρικό κόφτη σωλήνων RIDGID 258/258XL), ακολουθήστε τις οδηγίες και τις προειδοποιήσεις του αντίστοιχου εξοπλισμού RIDGID σχετικά με τη σωστή ρύθμιση και χρήση.

Η Ridge Tool δεν μπορεί να παρέχει ειδικές οδηγίες για κάθε πιθανή χρήση του ηλεκτρικού βιδολόγου 700. Ο χρήστης του μηχανήματος πρέπει να αξιολογεί κάθε φορά τη συγκεκριμένη εργασία και να χρησιμοποιεί τις σωστές πρακτικές και μεθόδους εργασίας. Εάν έχετε αμφιβολίες για τη χρήση του ηλεκτρικού βιδολόγου 700 για άλλους σκοπούς, μην τον χρησιμοποιείτε.

Εάν αποφασίσετε να χρησιμοποιήσετε τον ηλεκτρικό βιδολόγο 700 για άλλους σκοπούς, αξιολογήστε και προετοιμάστε την εργασία προσεκτικά, με βάση τις παρακάτω οδηγίες. Ο ηλεκτρικός βιδολόγος 700 παρέχει υψηλή ροπή και άρα αντίστοιχα αναπτύσσονται μεγάλες δυνάμεις στη λαβή που μπορεί να προκαλέσουν χτύπημα ή σύνθλιψη.

- Ο προσαρμογέας καρέ RIDGID 774 μπορεί να χρησιμοποιηθεί για προσαρμογή του ηλεκτρικού βιδολόγου 700 για περιστροφή αρσενικού καρέ 1 $\frac{1}{4}$ ". Συνδέστε καλά τον προσαρμογέα ώστε να μην αποσυνδεθεί κατά τη χρήση.
- Πρέπει να χρησιμοποιηθεί κατάλληλη μέθοδος για αντοχή στις δυνάμεις που αναπτύσσονται στη λαβή (βλ. την ενότητα «Αντίσταση στις δυνάμεις λαβής»). Οι δυνάμεις μπορεί να υπερβαίνουν τις 1000 lbs (455 kg). Μπορείτε να τοποθετήσετε μηχανισμούς αντιστήριξης στο περίβλημα του μοτέρ ή στο περίβλημα του ανεμιστήρα του ηλεκτρικού βιδολόγου 700 (Εικόνα 1).
- Διατηρείτε πάντα τη στήριξη του ηλεκτρικού βιδολόγου στον μηχανισμό αντιστήριξης – μην τοποθετείτε μέρη του σώματος ανάμεσα στον ηλεκτρικό βιδολόγο και τον μηχανισμό αντιστήριξης.
- Κατά τη χρήση, δεν πρέπει να υπάρχει σχετική κίνηση ανάμεσα στον ηλεκτρικό βιδολόγο και τον μηχανισμό αντιστήριξης.
- Βεβαιωθείτε ότι η εφαρμογή (όπως η λειτουργία ή η δοκιμή λειτουργίας βαλβίδας) περιστρέφεται ελεύθερα, δεν κολλάει και ότι τα καταληκτικά σημεία της κίνησης είναι γνωστά. Αν το σύστημα κολλήσει ή στερεοποιηθεί κατά τη χρήση, οι δυνάμεις στη λαβή θα αυξηθούν απότομα και σημαντικά και μπορεί να περιστραφεί ο ηλεκτρικός βιδολόγος.
- Αν χρησιμοποιηθεί για τον χειρισμό ή τη δοκιμή βαλβίδων ή άλλων εξαρτημάτων, ακολουθήστε τις οδηγίες του κατασκευαστή όλων των εξαρτημάτων. Μην υπερφορτώνετε το μηχάνημα.
- Χρησιμοποιήστε έτσι ώστε η δύναμη αντίδρασης του ηλεκτρικού βιδολόγου 700 να τραβάει προς την αντίθετη κατεύθυνση από τον χρήστη.
- Για να σταματήσετε τον ηλεκτρικό βιδολόγο, αφήστε το κουμπί διακόπτη ανά πάσα στιγμή. Βεβαιωθείτε ότι μπορείτε να ελευθερώσετε το κουμπί διακόπτη.

Οδηγίες συντήρησης

⚠ ΠΡΟΕΙΔΟΠΟΙΗΣΗ

Βεβαιωθείτε ότι το κουμπί διακόπτη έχει απελευθερωθεί και ότι το μηχάνημα έχει βγει από την πρίζα, πριν εκτελέσετε οποιαδήποτε εργασία συντήρησης ή ρύθμιση.

Η συντήρηση του μηχανήματος πρέπει να γίνεται σύμφωνα με τις ακόλουθες οδηγίες, για να μειώσετε τον κίνδυνο τραυματισμού από ηλεκτροπληξία, παγίδευση ή άλλα αίτια.

Καθαρισμός

1. Μετά από κάθε χρήση, αδειάστε τα υπολείμματα της ελικοτόμησης από το δίσκο υπολειμμάτων του λαδιού 418 και σκουπίστε τυχόν υπολείμματα λαδιού.
2. Καθαρίστε τον ηλεκτρικό βιδολόγο από τυχόν λάδια, γράσα, μεταλλικά υπολείμματα ή ακαθαρσίες, συμπεριλαμβανομένων των λαβών και κουμπιών.
3. Σκουπίστε τυχόν λάδια, γράσα ή ακαθαρσίες από το βραχίονα αντιστήριξης. Αν χρειάζεται, καθαρίστε τις σιαγόνες του βραχίονα αντιστήριξης με συρματένια βούρτσας.
4. Αφαιρέστε από τις φιλιέρες τα μεταλλικά υπολείμματα και τις ακαθαρσίες.

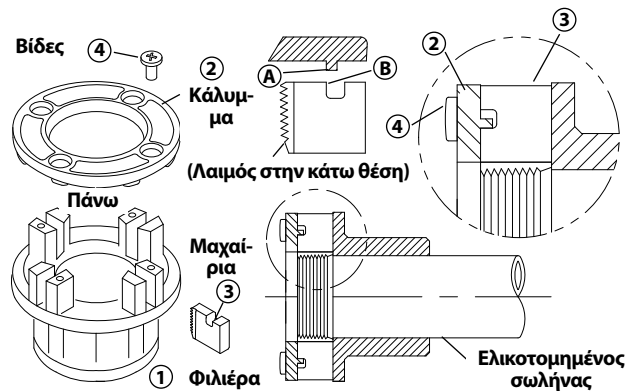
Λίπανση

Χρησιμοποιήστε πιστόλι γράσου για να προσθέσετε γράσο λιθίου υψηλής πίεσης μέσω των εξαρτημάτων γρασαρίσματος που υπάρχουν στο πλαίσιο μειωτήρα (βλ. Εικόνα 1) κάθε 3 έως 6 μήνες, αναλόγως της χρήσης του μηχανήματος.

Αλλαγή μαχαιριών σε φιλιέρες 12-R

Διατίθεται μια σειρά από μαχαίρια για τοποθέτηση στις φιλιέρες RIDGID 12-R. Βλ. τον κατάλογο για διαθεσιμότητα.

1. Αφαιρέστε τις τέσσερις βίδες (4), το κάλυμμα (2) και τα μαχαίρια (3) από τη φιλιέρα.
2. Τοποθετήστε νέα μαχαίρια στις υποδοχές, με το αριθμημένο άκρο (1,2,3,4) προς τα πάνω. Οι αριθμοί στα μαχαίρια πρέπει να αντιστοιχούν με τους αριθμούς στις υποδοχές της φιλιέρας. Αντικαθιστάτε πάντα τα μαχαίρια ως σετ.
3. Τοποθετήστε το κάλυμμα (2) και τις βίδες (4) και σφίξτε ελαφρά τις βίδες.
4. Βιδώστε το άκρο ελικοτομημένου σωλήνα στα μαχαίρια μέχρι να αρχίσει η ελικοτόμηση. Με τον τρόπο αυτό, τα μαχαίρια «B» σταματούν αναγκαστικά προς τα έξω πάνω στις προεξοχές «A» του καλύμματος και ρυθμίζεται σωστά το μέγεθος.
5. Σφίξτε καλά τις τέσσερις βίδες. Αφαιρέστε τον ελικοτομημένο σωλήνα και εκτελέστε μια δοκιμαστική κοπή.



Εικόνα 12 – Τοποθέτηση μαχαιριών στη φιλιέρα

Αντικατάσταση ψήκτρων σε μοτέρ

Ελέγχετε τις ψήκτρες του μοτέρ κάθε 6 μήνες. Αντικαθιστάτε μόλις φθαρούν και γίνουν κάτω από ¼" (6 mm).



Εικόνα 13 – Τοποθέτηση ψήκτρας

1. Βγάλτε το μηχανήμα από την πρίζα.
2. Ξεβιδώστε τις τάπες της ψήκτρας. Αφαιρέστε και ελέγξτε τις ψήκτρες. Αντικαθιστάτε μόλις φθαρούν και γίνουν κάτω από ¼" (6 mm). Ελέγξτε το συλλέκτη για φθορά. Αν είναι υπερβολικά φθαρμένος, δώστε το μηχανήμα για σέρβις.
3. Ξανατοποθετήστε τις ψήκτρες/τοποθετήστε νέες ψήκτρες.
4. Πριν τη χρήση, αφήστε τη μονάδα να λειτουργήσει στο ρελαντί για 15 λεπτά στη δεξιά κατεύθυνση και στη συνέχεια για 15 λεπτά στην αριστερή, ώστε να εφαρμόσουν οι νέες ψήκτρες στον συλλέκτη.

Προαιρετικός εξοπλισμός

⚠ ΠΡΟΕΙΔΟΠΟΙΗΣΗ

Προκειμένου να μειωθεί ο κίνδυνος σοβαρού τραυματισμού, χρησιμοποιήστε μόνο τα εξαρτήματα που είναι ειδικά σχεδιασμένα και συνιστώνται για χρήση με τον ηλεκτρικό βιδολόγο 700, όπως αυτά που αναφέρονται παρακάτω.

Αρ. καταλόγου	Περιγραφή
42600	Προσαρμογέας 770 για 00-R (1/8" – 1") και 00-RB (1/4" – 1")
42605	Προσαρμογέας 771 για 0-R (1/8" – 1")
42610	Προσαρμογέας 772 για 11-R (1/8" – 1 1/4")
42615	Προσαρμογέας 773 για 111-R (1/8" – 1 1/4")
42620	Προσαρμογέας καρέ 774 – 1 5/16"
42625	Βραχίονας αντιστήριξης 775
46615	Ράβδος ενίσχυσης ροπής σπράλ
42950	Μεταλλική κασετίνα μεταφοράς B-171-X
10883	Λαδικό 418 με 1 γαλόνι λαδιού κοπής σπειρωμάτων Premium
41620	Γράσο μειωτήρα

Για περισσότερες πληροφορίες σχετικά με τα εξαρτήματα που είναι ειδικά σχεδιασμένα για τον ηλεκτρικό βιδολόγο 700, ανατρέξτε στον κατάλογο της RIDGID και διαδικτυακά στη διεύθυνση RIDGID.com.

Αποθήκευση μηχανήματος

⚠ ΠΡΟΕΙΔΟΠΟΙΗΣΗ Ο ηλεκτρικός βιδολόγος 700 πρέπει να φυλάσσεται σε εσωτερικό χώρο ή, αν βρίσκεται σε εξωτερικό χώρο, να καλύπτεται καλά όταν βρέχει. Το μηχάνημα πρέπει να φυλάσσεται σε κλειδωμένο χώρο μακριά από παιδιά και άτομα που δεν είναι εξοικειωμένα με το χειρισμό μηχανημάτων. Αυτό το μηχάνημα μπορεί να προκαλέσει σοβαρό τραυματισμό σε χέρια ανειδίκευτων χρηστών.

Σέρβις και επισκευή

⚠ ΠΡΟΕΙΔΟΠΟΙΗΣΗ

Ακατάλληλο σέρβις ή επισκευή μπορεί να καταστήσει το μηχάνημα μη ασφαλές για λειτουργία.

Στις Οδηγίες συντήρησης περιλαμβάνονται οι περισσότερες περιπτώσεις που αφορούν το σέρβις του μηχανήματος. Προβλήματα που δεν αναφέρονται σ' αυτή την ενότητα πρέπει να αντιμετωπίζονται μόνο από εξουσιοδοτημένους τεχνικούς σέρβις της RIDGID.

Το εργαλείο θα πρέπει να αποστέλλεται στο ανεξάρτητο κέντρο σέρβις της RIDGID ή να επιστρέφεται στο εργοστάσιο. Χρησιμοποιείτε μόνο ανταλλακτικά RIDGID.

Για πληροφορίες σχετικά με το πλησιέστερο ανεξάρτητο εξουσιοδοτημένο κέντρο σέρβις της RIDGID στην περιοχή σας, ή για απορίες σχετικά με το σέρβις ή τις επισκευές:

- Επικοινωνήστε με τον τοπικό διανομέα RIDGID.
- Επισκεφθείτε τον δικτυακό τόπο RIDGID.com για να βρείτε το σημείο επικοινωνίας RIDGID στην περιοχή σας.
- Επικοινωνήστε με το Τμήμα Σέρβις της Ridge Tool στην ηλεκτρονική διεύθυνση rtctechservices@emerson.com ή για ΗΠΑ και Καναδά καλέστε στο (800) 519-3456.

Πληροφορίες για το λάδι κοπής σπειρωμάτων

Διαβάστε και ακολουθείτε όλες τις οδηγίες που αναγράφονται στην ετικέτα του λαδιού ελικοτόμησης και στο δελτίο δεδομένων ασφαλείας (SDS). Ειδικές πληροφορίες για τα λάδια κοπής σπειρωμάτων της RIDGID, όπως είναι η ταυτοποίηση κινδύνου, οι πρώτες βοήθειες, η πυρόσβεση, τα μέτρα σε περίπτωση τυχαίας έκλυσης, ο χειρισμός και η αποθήκευση, ο ατομικός προστατευτικός εξοπλισμός και η απόρριψη και μεταφορά, αναγράφονται στο δοχείο καθώς και στο δελτίο δεδομένων ασφαλείας SDS. Μπορείτε να βρείτε το δελτίο SDS στη διεύθυνση RIDGID.com ή να επικοινωνήσετε με το Τμήμα Σέρβις της Ridge Tool στο (800) 519-3456 στις ΗΠΑ και τον Καναδά, ή τη διεύθυνση ηλεκτρονικού ταχυδρομείου rtctechservices@emerson.com.

Απόρριψη

Τα εξαρτήματα του ηλεκτρικού βιδολόγου 700 περιέχουν πολύτιμα υλικά και μπορούν να ανακυκλωθούν. Εταιρείες ανακύκλωσης υπάρχουν και κατά τόπους. Πρέπει να απορρίπτετε τα εξαρτήματα σύμφωνα με όλους τους ισχύοντες κανονισμούς. Επικοινωνήστε με την υπηρεσία διαχείρισης απορριμμάτων της περιοχής σας για περισσότερες πληροφορίες.



Για τις χώρες της ΕΚ: Μην απορρίπτετε τον ηλεκτρικό εξοπλισμό με οικιακά απορρίμματα!

Σύμφωνα με την Ευρωπαϊκή Οδηγία 2012/19/ΕΕ σχετικά με τα απόβλητα ηλεκτρικού και ηλεκτρονικού εξοπλισμού και την ενσωμάτωσή της στην εθνική νομοθεσία, ο ηλεκτρικός εξοπλισμός που δεν μπορεί πλέον να χρησιμοποιηθεί πρέπει να συλλέγεται ξεχωριστά και να απορρίπτεται με τρόπο φιλικό προς το περιβάλλον.

Επίλυση προβλημάτων

ΠΡΟΒΛΗΜΑ	ΠΙΘΑΝΕΣ ΑΙΤΙΕΣ	ΕΠΙΛΥΣΗ
Το μηχάνημα δεν λειτουργεί.	Οι ψήκτρες δεν έρχονται σε επαφή με τον οπλισμό.	Ελέγξτε τις ψήκτρες, αντικαταστήστε αν έχουν φθαρεί.
Το μηχάνημα δεν ελικοτομεί.	Στομωμένα μαχαίρια. Υπερφόρτωση λόγω κομμένων ή μη ελικοειδών σπειρωμάτων. Κακής ποιότητας ή ανεπαρκές λάδι κοπής σπειρωμάτων. Ανεπαρκής τάση γραμμής.	Αντικαταστήστε τα μαχαίρια. Βλ. πιθανές αιτίες παρακάτω. Χρησιμοποιήστε επαρκή ποσότητα λαδιού κοπής σπειρωμάτων RIDGID. Ελέγξτε την τάση παροχής.
Λεπτά σπειρώματα.	Ανεπαρκής επαφή ανάμεσα στις ψήκτρες και τον συλλέκτη. Οι ψήκτρες δεν έρχονται σε καλή επαφή με τον συλλέκτη. Ψήκτρες διαφορετικής κατασκευής. Νέες ψήκτρες.	Σφίξτε τις τάπες ψήκτρων για να διασφαλίσετε πως οι ψήκτρες θα πιέζονται σταθερά πάνω στον συλλέκτη. Αντικαταστήστε τις φθαρμένες ψήκτρες και/ή τον οπλισμό. Χρησιμοποιείτε μόνο ψήκτρες RIDGID. Εφαρμόστε τις ψήκτρες λειτουργώντας τη μονάδα στο ρελαντί για 15 λεπτά στη δεξιά και αριστερή περιστροφή.
Η φιλιέρα δεν ξεκινά την ελικοτόμηση.	Η φιλιέρα δεν ταιριάζει καλά με το άκρο του σωλήνα. Δεν εφαρμόζεται σωστά η δύναμη ενεργοποίησης στη φιλιέρα. Το άκρο του σωλήνα δεν είναι κομμένο κάθετα. Στομωμένα ή σπασμένα μαχαίρια. Το μηχάνημα λειτουργεί στη λάθος κατεύθυνση. Τα μαχαίρια έχουν ρυθμιστεί εσφαλμένα στη φιλιέρα.	Πιέστε το κάλυμμα της φιλιέρας για να ξεκινήσει η ελικοτόμηση. Εφαρμόστε δύναμη ενεργοποίησης μέσω της κεντρικής γραμμής του σωλήνα. Κόψτε το άκρο του σωλήνα κάθετα. Αντικαταστήστε τα μαχαίρια. Ρυθμίστε τη σωστή κατεύθυνση στο μηχάνημα. Βεβαιωθείτε πως τα μαχαίρια είναι ρυθμισμένα προς τα έξω, πάνω στις προεξοχές του καλύμματος.

Επίλυση προβλημάτων (συνέχεια)

Κομμένα σπειρώματα.	<p>Κατεστραμμένα, ξεφτισμένα ή φθαρμένα μαχαίρια.</p> <p>Ακατάλληλο ή ανεπαρκές λάδι κοπής σπειρωμάτων.</p> <p>Λάθος τύπος μαχαιριού για το συγκεκριμένο υλικό.</p> <p>Κακή ποιότητα/υλικό σωλήνα.</p>	<p>Αντικαταστήστε τα μαχαίρια.</p> <p>Χρησιμοποιήστε μόνο λάδι κοπής σπειρωμάτων RIDGID® σε επαρκή ποσότητα.</p> <p>Επιλέξτε μαχαίρια υψηλής ταχύτητας από ανοξείδωτο χάλυβα ή κράμα, κατάλληλα για τη συγκεκριμένη εφαρμογή.</p> <p>Χρησιμοποιήστε σωλήνα υψηλότερης ποιότητας.</p>
Μη ελικοειδή ή χτυπημένα σπειρώματα.	<p>Το τοίχωμα του σωλήνα είναι πολύ λεπτό.</p>	<p>Χρησιμοποιήστε πάχος τοιχωμάτων 40 ή μεγαλύτερο.</p>
Ο μηχανισμός αντιστήριξης στρέφεται κατά την ελικοτόμηση.	<p>Ακαθαρσίες στις σιαγόνες του βραχίονα αντιστήριξης.</p> <p>Ο βραχίονας αντιστήριξης δεν είναι σωστά ευθυγραμμισμένος.</p> <p>Ο βραχίονας αντιστήριξης δεν είναι σφιγμένος.</p>	<p>Καθαρίστε με συρμάτινη βούρτσα.</p> <p>Ευθυγραμμίστε σωστά τον βραχίονα αντιστήριξης σε σχέση με τον σωλήνα.</p> <p>Σφίξτε τον κοχλία.</p>
Λεπτά σπειρώματα.	<p>Τα μαχαίρια δεν έχουν τοποθετηθεί στη σωστή σειρά.</p>	<p>Τοποθετήστε τα μαχαίρια στη σωστή υποδοχή της φιλιέρας.</p>

Električna nareznica

700



⚠ UPOZORENJE!

Pažljivo pročitajte ovaj priručnik za korisnike prije uporabe ovog alata. Nepoštivanje Uputa iz ovog priručnika može imati za posljedicu strujni udar, požar i/ili teške tjelesne ozljede.

Električna nareznica 700

U donji okvir upišite serijski broj s natpisne pločice i sačuvajte ga za buduće potrebe.

Serijski
br.

Sadržaj

Obrazac za zapisivanje serijskog broja uređaja	257
Sigurnosni simboli	259
Opća sigurnosna upozorenja za električni alat.....	259
Sigurnost radnog područja.....	259
Zaštita od struje	259
Osobna zaštita	260
Korištenje i briga o električnom alatu	260
Servisiranje	260
Posebne sigurnosne informacije.....	260
Sigurnost električne nareznice	261
Opis, specifikacije i standardna oprema	261
Opis.....	261
Tehničke karakteristike.....	262
Standardna oprema.....	262
Provjera prije uporabe	262
Namještanje i rad.....	263
Ugradnja nareznih glava.....	264
Otporu sili nareza	264
Narezivanje	265
Pregled navoja.....	266
Električna nareznica 700 – druge uporabe.....	267
Upute za održavanje	267
Čišćenje.....	267
Podmazivanje	267
Zamjena noževa u nareznim glavama 12-R.....	267
Zamjena četki u motoru	268
Opcijska oprema	268
Skladištenje uređaja	268
Servisiranje i popravak	268
Informacije o ulju za narezivanje navoja	269
Zbrinjavanje	269
Otklanjanje grešaka	270
EU Izjava o sukladnosti	Unutarnja strana stražnje stranice
Doživotno jamstvo	Stražnja stranica
Prijevod originalnih uputa	

Sigurnosni simboli

Sigurnosni znakovi i riječi upozorenja u ovom priručniku i na proizvodu ukazuju na važne informacije o sigurnosti. Ova sekcija je predviđena za poboljšati razumijevanje ovih signalnih riječi i simbola.



Ovo je znak sigurnosnog upozorenja. Upozorava na potencijalnu opasnost od tjelesnih ozljeda. Da biste spriječili tjelesne ozljede i smrtni ishod, pridržavajte se svih sigurnosnih poruka koje slijede ovaj znak.

⚠ OPASNOST

OPASNOST ukazuje na opasnu situaciju koja, ako se ne izbjegne, može rezultirati teškim ozljedama ili smrtnim ishodom.

⚠ UPOZORENJE

UPOZORENJE označava opasnu situaciju koja, ako se ne izbjegne, može rezultirati teškim ozljedama ili smrtnim ishodom.

⚠ OPREZ

OPREZ označava opasnu situaciju koja, ako se ne izbjegne, može rezultirati lakšim ili srednje teškim ozljedama.

NAPOMENA

NAPOMENA ukazuje na informacije vezane uz zaštitu imovine.



Ovaj znak Vas upozorava da prije korištenja opreme pažljivo pročitate korisnički priručnik. Korisnički priručnik sadrži važne informacije o sigurnosti i ispravnom radu opreme.



Ovaj znak upozorava na obveznu uporabu zaštitne maske ili zaštitnih naočala s bočnim štitnicima prilikom rukovanja ili korištenja ove opreme, kako bi se izbjegla opasnost od ozljeda očiju.



Ovaj znak upozorava da pokretni dijelovi uređaja mogu prignječiti i zahvatiti ruke, prste i druge dijelove tijela.



Ovaj znak označava opasnost od električnog udara.



Ovaj simbol označava opasnost od prevrtanja stroja zbog čega može doći do ozljeda uslijed udarca ili gnječenja.



Ovaj znak znači da ne nosite rukavice dok radite za ovim uređajem kako biste smanjili rizik od zapletaja.



Ovaj simbol označava korištenje naprave za podupiranje za sprječavanje utjecaja sile nareza, poboljšanje kontrole i smanjenje opasnosti od ozljeda.

Opća sigurnosna upozorenja za električni alat*

⚠ UPOZORENJE

Pažljivo pročitate sve priložene upute. Nepoštovanje uputa može za posljedicu imati strujni udar, požar i/ili tešku tjelesnu ozljedu.

SAČUVAJTE SVA UPOZORENJA I UPUTE KAO BUDUĆU REFERENCU!

Termin "električni alat" u upozorenjima se odnosi na vaš električni aparat koji se priključuje na izvor napona (sa kablom) ili električni aparat koji radi na baterije (bežični).

Sigurnost radnog područja

- **Neka vaše radno mjesto bude čisto i dobro osvijetljeno.** Neuredna ili mračna područja pogoduju nezgodama.
- **Nemojte raditi s električnim alatom u eksplozivnom okruženju, kao što su ona u kojima postoje zapaljive tekućine, plinovi ili prašina.** Električni alati stvaraju iskre koje mogu zapaliti prašinu ili plinove.
- **Držite djecu i posjetitelje daleko za vrijeme rada električnog alata.** Ometanje vam može odvratiti pozornost i dovesti do gubitka kontrole.

Zaštita od struje

- **Utikači električnog alata moraju odgovarati utičnici. Ni na koji način nemojte modificirati utikač. S električnim alatima koji trebaju biti uzemljeni nemojte koristiti nikakve adaptere za utikač. Uzemljeni alati moraju biti utaknuti u prikladno ugrađenu i uzemljenu utičnicu u skladu sa svim pravilima i propisima. Nikada nemojte uklanjati utikač uzemljenja ili na bilo koji način mijenjati priključak. Savjetujte se s kvalificiranim električarom ako sumnjate u ispravno uzemljenje utičnice.** Utikače koje niste mijenjali i odgovarajuće utičnice smanjuju opasnost od strujnog udara.
- **Izbjegavajte tjelesni kontakt s uzemljenim površinama, kao što su cijevi, hladnjaci i rashladni uređaji.** Ako je vaše tijelo uzemljeno, postoji povećana opasnost od strujnog udara.
- **Električni alat ne izlažite kiši ili mokrim uvjetima.** Ako u električni alat uđe voda povećava se opasnost od strujnog udara.
- **Nemojte oštećivati kabel. Nikada nemojte koristiti kabel za nošenje ili isključivanje ovog alata iz utičnice. Kabel držite dovoljno daleko od izvora topline, ulja, oštih rubova i pokretnih dijelova. Smjesta zamijenite oštećene kabele.** Oštećeni kabeli povećavaju rizik od strujnog udara.

* Tekst korišten u poglavlju Opća sigurnosna upozorenja za električni alat ovog priručnika je doslovno preuzet, koliko je to bilo potrebno, iz odgovarajućeg izdanja norme UL/CSA 62841-1. Ovo poglavlje sadrži opća sigurnosna pravila sigurne prakse za nekoliko različitih tipova električnih alata. Nije svaka mjera opreza primjenjiva za svaki alat, a neke se ne primjenjuju za ovaj alat.

- **Pri radu s električnim alatom na otvorenom, koristite produžni kabel s oznakom "W-A" ili "W".** Ovi kabeli su dimenzionirani za korištenje na otvorenom, te smanjuju rizik od strujnog udara.
- **Ako je rad s električnim alatom na vlažnom mjestu neizbježan, koristite zaštitnu strujnu sklopku (GFCI) u slučaju otkaza mase.** Uporaba GFCI utičnice smanjuje rizik od strujnog udara.

Osobna zaštita

- **Tijekom uporabe električnog alata budite pažljivi, pratite što radite i razumno koristite električni alat. Električni alat nemojte upotrebljavati ako ste umorni ili pod utjecajem droge, alkohola ili lijekova.** Trenutak nepažnje pri radu s električnim alatima može za posljedicu imati teške ozljede.
- **Upotrebljavajte opremu za osobnu zaštitu. Uvijek nosite zaštitu za oči.** Oprema za osobnu zaštitu, kao na primjer maska protiv prašine, zaštitne cipele s potplatom protiv klizanja, zaštitna kaciga ili štitnici za sluh, koja se koristi za odgovarajuće uvjete, umanjit će opasnost od ozljede.
- **Spriječite nehotično pokretanje. Osigurajte da je sklopka u položaju isključeno prije spajanja izvora napajanja i/ili baterija, uzimanja ili nošenja alata.** Nošenje alata sa prstom na prekidaču ili aktivacija alata sa uključenim prekidačem izaziva nezgode.
- **Uklonite ključ za podešavanje ili ključ za odvijanje prije nego što uključite električni alat.** Ključ ili pribor koji su ostali na rotirajućem dijelu električnog alata mogu izazvati povrede.
- **Nemojte posezati predaleko. Provjerite stojite li na čvrstoj podlozi i u svakom trenutku zadržite ravnotežu.** Pogodno uporište i balans omogućava bolju kontrolu nad električnim alatom u neočekivanim situacijama.
- **Propisno se oblačite. Nemojte nositi lepršavu odjeću i nakit. Kosu, odjeću i rukavice držite podalje od pokretnih dijelova.** Labava odjeća, nakit ili kosa mogu biti zahvaćeni pokretnim dijelovima.
- **Ako su uređaji predviđeni za spajanje na usis prašine i sabirne uređaje, osigurajte da su oni priključeni i da se ispravno koriste.** Uporaba takve opreme umanjuje opasnost koja nastaje nakupljanjem prašine.

Korištenje i briga o električnom alatu

- **Nemojte preoptereti električni alat. Upotrebljavajte odgovarajući električni alat za određenu namjenu.** Odgovarajući električni alat radit će bolje i sigurnije brzinom za koju je napravljen.

- **Nemojte koristiti električni alat ako ga prekidači ne uključuju i isključuju.** Električni alat koji se ne može kontrolirati pomoću sklopke je opasan i potrebno ga je popraviti.
- **Prije podešavanja, mijenjanja nastavaka ili spremanja električnog alata izvadite utikač iz utičnice i/ili iz alata izvadite uložak baterije ako se može uklanjati.** Takva mjera predostrožnosti smanjuje opasnost od nehotičnog pokretanja električnog alata.
- **Kada ne koristite električni alat, držite ga podalje od dohvata djece a osobama koje nisu upoznate s električnim alatom ili koje nisu pročitale ove upute za uporabu nemojte dozvoljavati da ga koriste.** Električni alati su opasni ako ih koriste neobučene osobe.
- **Održavajte električne alate. Provjerite jesu li pokretni dijelovi alata loše postavljeni ili spojeni, nisu li dijelovi popucali te postoje li drugi uvjeti koji mogu utjecati na rad električnog alata. Prije korištenja električnog alata oštećene dijelove dajte na popravak.** Loše održavanje električnog alata uzrokuje mnoge nesreće.
- **Alate za rezanje održavajte oštroma i čistima.** Ispravno održavani alati za rezanje s oštirim rubovima manje se savijaju i lakši su za kontroliranje.
- **Koristite električne alate, dodatke i nastavke u skladu s ovim uputama i one koji su propisani za specifičnu vrstu alata.** Upotreba električnog alata za radnje za koje ona nije predviđena može dovesti do opasnih situacija.

Servisiranje

- **Električni alat može servisirati samo kvalificirano servisno osoblje upotrebljavajući identične zamjenske dijelove.** To će zajamčiti očuvanje sigurnosti električnog alata.

Posebne sigurnosne informacije

⚠ UPOZORENJE

Ovaj odjeljak sadrži važne sigurnosne informacije koje su karakteristične za ovaj alat.

Pažljivo pročitajte ove mjere opreza prije uporabe električne nareznice 700 da smanjite opasnost od električnog udara, udaraca, prignječenja ili druge ozbiljne ozljede.

SAČUVAJTE SVA UPOZORENJA I UPUTE KAO BUDUĆU REFERENCJU!

Držite ovaj priručnik u blizini uređaja kako bi ga rukovatelj mogao upotrijebiti.

Sigurnost električne nareznice

- Slijedite upute o ispravnom korištenju ovog stroja. Pročitajte i shvatite upute i upozorenja i upute za svu opremu i materijale koji se koriste prije korištenja električne nareznice. Nepridržavanje svih uputa i upozorenja može dovesti do imovinske štete i/ili teških tjelesnih ozljeda.
- Pri narezivanju cijevi od 1" (25 mm) ili više koristite napravu za podupiranje radi otpora sili nareza. Koristite odgovarajuću napravu za podupiranje u skladu s ovim uputama. Naprave za podupiranje poboljšavaju kontrolu i smanjuju opasnost od ozljeda uslijed udaranja i nagnječenja i/ili drugih ozljeda.
- Ako koristite drugu napravu za podupiranje osim priložene potporne ruke, ta naprava mora djelovati nasuprot kućište motora. Naprave za podupiranje koje su u doticaju s drugim dijelovima mogu oštetiti dijelove stroja i povećati opasnost od ozljeda.
- Pri narezivanju ili vraćanju nareznih glava s cijevi uvijek čvrsto držite električnu nareznicu kako biste se oduprli sili, neovisno o tome koju napravu za podupiranje koristite. To će smanjiti opasnost od ozljeda uslijed udaranja i nagnječenja i drugih ozljeda.
- Nemojte koristiti ovu električnu nareznicu ako je prekidač pokvaren. Ovaj prekidač je sigurnosna naprava koja vam omogućava gašenje motora otpuštanjem prekidača.
- Nemojte nositi široku odjeću ili nakit dok radite sa strojem. Neka rukavi i jakne budu zakopčani. Nemojte posezati preko uređaja ili preko cijevi. Odjeća može biti zahvaćena cijevi ili strojem, što može dovesti do zapletaja.
- Jedna osoba mora nadzirati radni proces i rad stroja. Dok stroj radi u radnom se okruženju smije nalaziti samo rukovatelj. To pomaže smanjiti opasnost od ozljede.
- Nemojte koristiti tupe ili oštećene noževe. Oštri alati za rezanje zahtijevaju manji moment, a električnom nareznicom je lakše upravljati.
- Držite ručke suhim i čistim; bez ulja i maziva. Omogućava bolju kontrolu alata.
- Neka podovi budu čisti i neka na njima nema skliskih materijala poput ulja. Skliski podovi uzrokuju nezgode.
- S električnom nareznicom RIDGID 700 koristite samo narezne glave RIDGID. Druge narezne glave možda neće ispravno sjesti u električnu nareznicu što povećava opasnost od oštećivanja opreme i osobne ozljede.

- Kada koristiti za druge primjene od onih opisanih u ovom priručniku, koristite uređaj za podršku kako biste savladali sile na ručki. Naprave za podupiranje poboljšavaju kontrolu i smanjuju opasnost od ozljeda uslijed udaranja i nagnječenja i/ili drugih ozljeda.

Ako imate bilo kakvih pitanja u vezi ovog RIDGID® proizvoda:

- Kontaktirajte lokalnog RIDGID® distributera.
- Posjetite RIDGID.com kako biste pronašli svoju kontaktnu točku za RIDGID.
- Ako je to potrebno, kontaktirajte Ridge Tool tehnički servis na rtctechservices@emerson.com, a u SAD-u i Kanadi nazovite (800) 519-3456.

Opis, specifikacije i standardna oprema

Opis

Električna nareznica RIDGID® Model 700 dvostruko je namjenski alat koji pruža silu za narezivanje cijevi i vodova. Rotacija prema naprijed ili natrag može se odabrati prekidačem.

Električna nareznica je dizajnirana tako da koristi zglobne narezne glave RIDGID 12-R (cijev od 1/8" – 2"). Druge RIDGID narezne glave kao što su OO-R i 11-R mogu se koristiti s adapterima.

Pri narezivanju cijevi od 1" ili veće, naprava za podupiranje radi otpora kao što je No. 775 Potporna ruka ili RIDGID 14" ključ za cijevi potrebna je za pružanje otpora silama narezivanja.

Električna nareznica se može koristiti za napajanje rezača za cijevi RIDGID 258 i za druge primjene, (Pogledajte "Druge uporabe").



Slika 1 – električna nareznica model 700

Tehničke karakteristike

Kapacitet narezivanjaCijev 1/8" do 2" (3 do 50 mm)
 Vijak 1/4" do 1" (6 do 25 mm)
 s nareznom glavom 00-RB

Motor:

TipUniverzalni, s hodom unatrag
 V110 120 220-240
 A13,5 13,5 6,5
 Frekvencija.....50/60 Hz 50/60 Hz 50/60 Hz
 Snaga1500 1500 1500
 Radna brzina.....26-30 okr./min, bez opterećenja

KontroleDvostruki prekidač s hodom unatrag s oprugom za povrat u položaj OFF

Reduktorska glava.....Lijevani aluminij, Zupčanik redukcije prednjeg dijela pogona, zapinjači adaptera s oprugom, Zupčanik vretena od kaljenog čelika.

Dimenzije:

Duljina28 1/4" (717 mm)
 Širina.....6 1/16" (154 mm)
 Visina7 13/16" (198 mm)
 Težina25 lbs. (11 kg)
 Tlak zvuka (L_{PA})**98,4 dB(A), K=3
 Snaga zvuka (L_{WA})**107 dB(A), K=3
 Vibracija**2,5 m/s², K=1,5

* Za informacije o motoru za vaš stroj pogledajte pločicu sa serijskim brojem stroja - dostupne su druge verzije.

** Mjerenja vibracija i buke izvršena su u skladu sa standardiziranim testom prema standardu EN 62481-1.

- Razine vibracija mogu se koristiti za usporedbu s drugim alatima i za preliminarnu procjenu izloženosti.

- Emisije buke i vibracija mogu se razlikovati ovisno o vašoj lokaciji i uporabi tih alata.

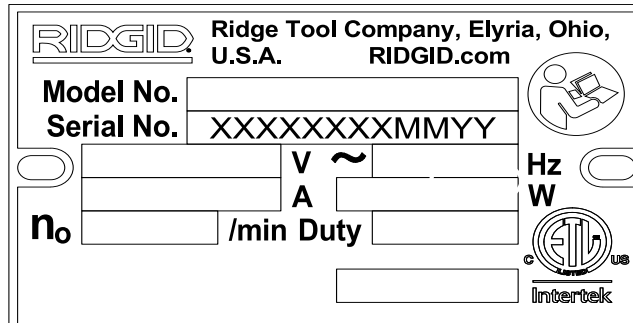
- Dnevne razine izloženosti buci i vibracijama moraju se procijeniti za svaku primjenu i po potrebi uz uporabu primjerenih sigurnosnih mjera. Za procjenu razina izloženosti treba uzeti u obzir vrijeme tijekom kojeg je alat isključen i nije u uporabi. To može značajno smanjiti razinu izloženosti tijekom ukupnog razdoblja rada.

Standardna oprema

Električna nareznica model 700 dolazi sa sljedećim stavkama:

- Električna nareznica 700
- Ruka okretnog momenta
- Uređaj za potporu
- Priručnik za korisnike

Električna nareznica 700 ima nazivnu pločicu sa serijskim brojem na dnu kućišta motora. Posljednje 4 znamenke označavaju mjesec i godinu proizvodnje. (12 = mjesec, 15 = godina).



Slika 2 – Serijski broj stroja

NAPOMENA Odabir odgovarajućih materijala i načina ugrađivanja, metode spajanja i formiranja su odgovornost projektanta sustava i/ili montera. Odabir neodgovarajućih materijala može prouzročiti otkazivanje sustava.

Nehrđajući čelik i drugi materijali otporni na koroziju mogu biti zagađeni tijekom ugrađivanja, spajanja i oblikovanja. Ovo zagađenje bi moglo prouzročiti koroziju i prerano otkazivanje. Pomna procjena materijala i postupaka za posebne uvjete servisiranja, uključujući kemikalije i temperaturu, trebala bi se obaviti prije bilo kakva pokušaja ugrađivanja.

Provjera prije uporabe

⚠ UPOZORENJE

Prije svake uporabe provjerite električnu nareznicu 700 i ispravite sve probleme kako biste smanjili opasnost od ozbiljnih ozljeda uslijed električnog udara, gnječnja ili drugih uzroka, te spriječili oštećenje električne nareznice.

1. Pazite da je električna nareznica iskopčana iz struje.
2. Uklonite ulje, masnoću ili prašinu s električne nareznice i naprave za podupiranje, uključujući i ručke i upravljačke komande. To olakšava pregled i pomaže u sprječavanju da stroj ili upravljač isklizne iz ruke.
3. Pregledajte električnu nareznicu za postojanje sljedećeg:
 - Oštećenja ili promjene na kabelu i utikaču.
 - Ispravno sastavljanje, održavanje i cjelovitost.
 - Oštećene, nepravilno poravnate ili spojne dijelove.
 - Ispravan rad prekidača. Provjerite da prekidač radi i da nije zaglavljen.
 - Postojanje i čitljivost naljepnica za upozorenje (Slika 3).
 - Ostala stanja koja mogu spriječiti siguran i normalan rad.

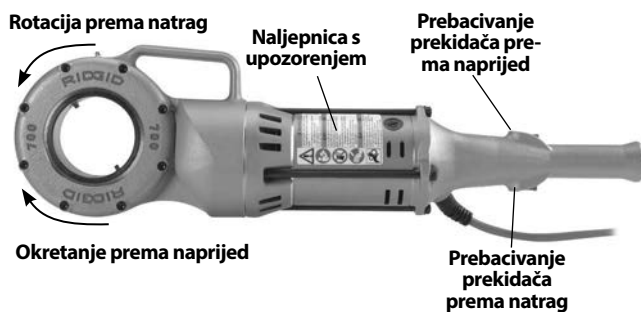
Ukoliko problemi postoje, ne koristite električnu nareznicu ili potporni uređaj dok se problemi ne otklone.

4. Pregledajte potpornu ruku. Pobrinite se da su zubi za hvatanje na potpornoj ruci čisti i u dobrom stanju. Zube možete očistiti žičanom četkom.
5. Pregledajte jesu li oštrice nareznih glava istrošene, izobličene, odlomljene ili nešto slično. Tupi ili oštećeni rezni alati povećavaju potrebnu silu, proizvode slabu kakvoću navoja i povećavaju opasnost od ozljeda.
6. Pregledavajte i održavajte svu ostalu opremu koja se koristi prema odgovarajućim uputama kako biste se uvjerali da radi ispravno.
7. Slijedeći *upute za postavljanje i rad* provjerite radi li električna nareznica ispravno.
 - Pritisnite i otpustite prekidač za rotaciju prema NAPRIJED i ponovite za rotaciju prema NATRAG kako je prikazano na *Slici 3*. Provjerite da se električna nareznica okreće kako je prikazano na *Slici 3* i da prekidač upravlja radom stroja.

Dopustite električnoj nareznici da se potpuno zaustavi prije okretanja smjera putem prekidača. To će smanjiti rizik od oštećenja električne nareznice.

- Pritisnite i držite prekidač. Provjerite pokretne dijelove na nepravilnost, vezivanje, čudne zvukove ili druge neuobičajene uvjete. Otpustite prekidač.

Ako stroj ne radi ispravno ili naiđete na neobična stanja, ne upotrebljavajte stroj dok ga ne popravite.



Slika 3 – Položaj prekidača za smjer okretanja

8. Otpustite prekidač i suhim rukama iskopčajte uređaj.

Namještanje i rad

⚠ UPOZORENJE



Podesite i koristite električnu nareznicu 700 u skladu s ovim postupcima kako biste smanjili opasnost ozljeda zbog električnog udara, zapetljanja, udaraca, nagnječenja i drugih uzroka i kako biste spriječili oštećenje električne nareznice.

Pri narezivanju cijevi od 1" (25 mm) ili više koristite napravu za podupiranje radi otpora sili nareza. Koristite odgovarajuću napravu za podupiranje u skladu s ovim uputama. Naprave za podupiranje poboljšavaju kontrolu i smanjuju opasnost od ozljeda uslijed udaranja i nagnječenja i/ili drugih ozljeda.

Pri narezivanju ili vraćanju nareznih glava s cijevi uvijek čvrsto držite električnu nareznicu kako biste se oduprli sili, neovisno o tome koju napravu za podupiranje koristite. To će smanjiti opasnost od ozljeda uslijed udaranja i nagnječenja i drugih ozljeda.

Cijev poduprite na odgovarajući način. To će smanjiti opasnost od pada cijevi, spoticanja i ozbiljnih ozljeda.

Ne koristite električnu nareznicu bez ispravnog prekidača.

Nemojte nositi široku odjeću ili nakit dok radite sa strojem. Neka rukavi i jakne budu zakopčani. Nemojte posezati preko uređaja ili preko cijevi. Odjeća može biti zahvaćena cijevi ili strojem, što može dovesti do zapetaja.

Jedna osoba mora upravljati i radnim procesom i prekidačem. Više od jedne osobe ne smije upravljati alatom. U slučaju zaplitanja rukovatelj mora kontrolirati prekidač.

1. Na radnom mjestu provjerite sljedeće:
 - Odgovarajuća rasvjeta.
 - Nikakve zapaljive tekućine, pare ili prašina koja može planuti. Ako otkrijete nešto od navedenog, nemojte raditi u tom području dok ne prepoznate i otklonite problem. Električne nareznice nisu otporne na eksploziju i mogu iskriti.
 - Čisto, ravno, stabilno, suho mjesto za svu opremu i rukovatelja.
 - Dobra ventilacija. Ne koristite previše u malim i zatvorenim prostorima.

- Pravilno ožičena električna utičnica ispravnog napona. Ako sumnjate u ispravnost utičnice, obratite se ovlaštenom električaru.
 - Oslobodite prostor za električnu utičnicu koja ne sadrži nikakav potencijalni izvor oštećenja strujnog kabela.
2. Provjerite jesu li cijev i svi povezani dijelovi narezani, te je li električna nareznica 700 pravi izbor za određeni posao. *Pogledajte specifikacije.*

Opremu za druge namjene možete pronaći u katalogu Ridge Tool, na Internetu na RIDGID.com ili pozivom tehničkoj podršci Ridge Tool u SAD-u ili Kanadi na (800) 519-3456.
 3. Pazite da je korištena oprema ispravno pregledana.
 4. Ispravno pripremite cijev po potrebi. Pazite da je cijev ravno odrezana i očišćena od ostataka. Cijev odrezana pod kutom može oštetiti noževe tijekom narezivanja ili uzrokovati poteškoće pri pokretanju narezne glave.
 5. Pazite da je cijev koju ćete narezivati stabilna i učvršćena kako bi se spriječilo ispadanje tijekom korištenja. Koristite prikladne stalke za cijev kako biste poduprli duljinu cijevi.
 6. Provjerite razinu ulja za narezivanje RIDGID u podmazivaču RIDGID 418. Uklonite pladanj za ostatke i provjerite je li zaslon filtra čist i potpuno uronjen u ulje. Po potrebi zamijenite ili dopunite ulje. Postavite posudu za podmazivač 418 ispod cijevi koju ćete narezivati.

Ugradnja narezni glava

1. Pazite da je električna nareznica iskopčana iz struje.
2. Gurnite nareznu glavu 12-R ili adapter (*pogledajte Dodatna oprema*), najprije stranu s klinom, u električnu nareznicu dok zapinjači adaptera s oprugom čvrsto ne uhvate klin. (*Slika 4*). Narezna se glava može umetnuti na bilo koju stranu električne nareznice. U nekim slučajevima, narezne glave/adaptori se možda moraju rotirati dok se zapinjači ne uhvate. Adaptori 770 i 773 moraju imati ugrađenu nareznu glavu u adapter prije umetanja u električnu nareznicu.
3. Kako biste uklonili nareznu glavu, ravno je povucite iz električne nareznice. Po potrebi upotrijebite meki čekić ili komad drva kako biste izbacili glavu. Nemojte udarati po nareznoj glavi jer to može oštetiti alat.



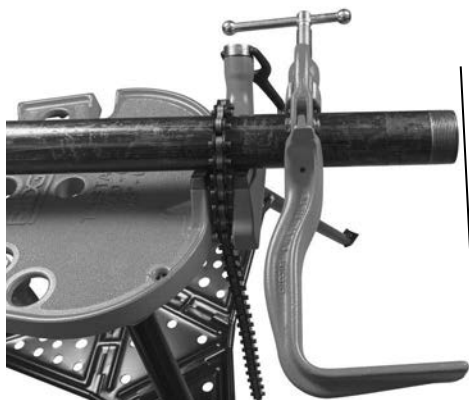
Slika 4 – Postavljanje narezni glava u nareznu glavu 700

Otporu sili nareza (naprava za podupiranje)

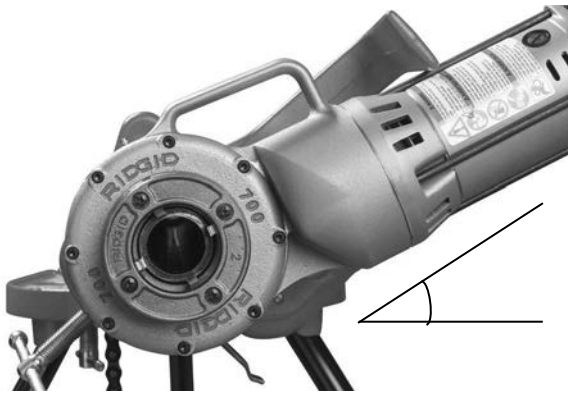
Za nareze udesno će se narezne glave rotirati u smjeru kazaljke na satu (kad gledate sprijeda u nareznu glavu). Sile koje stvara moment narezivanja imat će suprotan smjer, odnosno smjer suprotan od smjera kazaljke na satu. Smjer vrtnje i sile bit će obrnut kod nareza ulijevo. Pazite da je naprava za podupiranje postavljena tako da pravilno apsorbira silu nareza.

Uporabite potpornu ruku br. 775

1. Kuka jarma potporne ruke može se sastaviti na bilo koju stranu. Čvrsto zategnite vijak šarke.
2. Potpornu ruku postavite na cijev tako da se kraj potporne ruke poravnava s krajem cijevi, a električna nareznica 700 će biti malo iznad horizontale (*Slika 5 i 6*). Tako se potporna ruka ispravno postavlja za narezivanje i sprječava cijeđenje ulja za navoje niz električnu nareznicu.
3. Pazite da su vilice potporne ruke poravnate s cijevi i dobro učvrstite ruku.



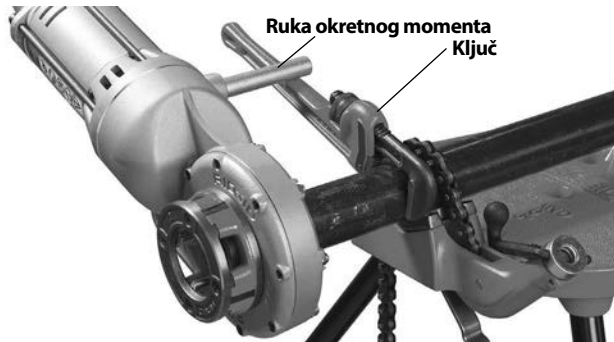
Slika 5 – Potporna ruka poravnata s krajem cijevi



Slika 6 – Potporna ruka postavljena s električnom nareznicom 700, malo iznad horizontale

Korištenje ključa za cijevi RIDGID 12", 14" ili 18":

1. Sigurno postavite ruku momenta na kućište ventilatora električne nareznice 700. Može se koristiti dio čelične od $\frac{1}{2}$ " debljine 80 s NPT navojem od $\frac{1}{2}$ " dug 5" (127 mm).
2. Postavite ključ za cijevi RIDGID 12", 14" ili 18" otprilike 7" (175 mm) od kraja cijevi (Pogledajte sliku 7). Provjerite da je ključ čvrsto postavljen, da ne može pasti ili pomaknuti se.
3. Kada počinjete navoj, ruka momenta će se naslanjati na ručku ključa cijevi.



Slika 7 – Narezivanje korištenjem ključa za cijev kako potporne ruke

Druge metode potpore:

Postavite kućište motora električne nareznice (pogledajte sliku 1) nasuprot susjednom strukturnom dijelu (primjerice zidovi ili okomite i vodoravne grede). Za to cijev koja se narezuje i sve što je okružuje moraju moći podnijeti težinu alata i silu nareza. Možda će trebati dodati privremene ili trajne potpore ili strukturne elemente za cijev za pravilno odupiranje sili narezivanja.

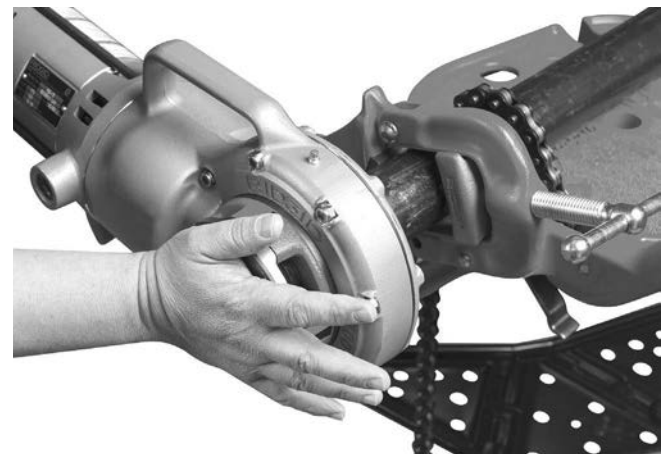
Za cijevi promjera $\frac{3}{4}$ " ili manje:

Cijevi nominalne dimenzije $\frac{3}{4}$ " i manje mogu se narezivati bez uporabe naprave za podupiranje. U tom slučaju se rukovatelj opire sili nareza. Cijev treba pravilno učvrstiti kako

bi se spriječila rotacija. Pri narezivanju ili vraćanju nareznih glava s cijevi uvijek čvrsto držite električnu nareznicu kako biste se oduprli sili. To će smanjiti opasnost od ozljeda uslijed udaranja i nagnječenja i drugih ozljeda.

Narezivanje

1. Suhim rukama ukopčajte električnu nareznicu.
2. Postavite nareznu glavu preko kraja cijevi i poduprite električnu nareznicu ako je navedeno u odjeljku o otporu sili nareza. Uvijek držite električnu nareznicu nasuprot potpornom uređaju. Nemojte stavljati ništa između električne nareznice i potpornog uređaja - to povećava rizik ozljeda štipanja i drobljenja.
3. Zauzmite ispravan položaj kako biste pomogli u kontroli uređaja i cijevi (pogledajte sliku 9).
 - Budite sigurni da imate dobru ravnotežu i da se ne morate previše istezati.
 - Pazite da možete kontrolirati prekidač i stroj. Još nemojte pritiskati prekidač. U slučaju nužde morate moći otpustiti prekidač.



Slika 8 – Početak nareza

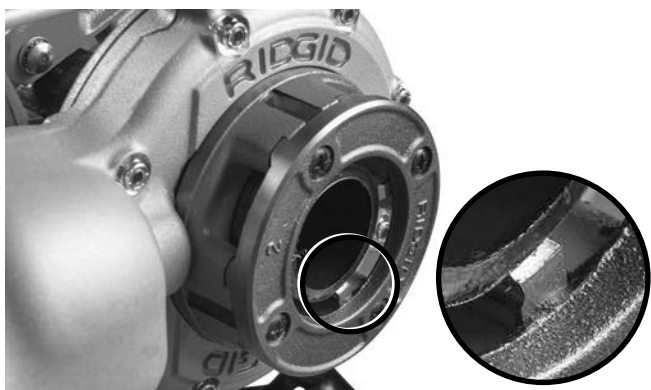
4. Kako biste započeli narezivanje, istovremeno pritisnite prekidač (pogledajte sliku 3) i dlanom slobodne ruke pritisnite pokrovnu ploču narezne glave (Slika 8). Nemojte nositi rukavice niti nakit ili koristiti krpu dok pritišćete pokrovnu ploču - to povećava opasnost od zapetljavanja ili ozljeda. Kad noževi počnu raditi na cijevi narezi će se rezati kako se noževi naslanjaju na kraj cijevi.

Uvijek čvrsto držite ručku električne nareznice kako biste se oduprli silama s ručke. Naprave za podupiranje mogu skliznuti i omogućiti električnoj nareznici da se pomiče. Prekidač može se u svakom trenutku otpustiti kako bi se električna nareznica ISKLJUČILA.



Slika 9 – Narezivanje cijevi

5. Prestanite pritiskivati pokrovni poklopac i pomoću podmazivača nanesite obilnu količinu ulja za narezivanje RIDGID na područje koje će se narezivati. To će smanjiti moment narezivanja, poboljšati kvalitetu nareza i produljiti trajanje noževa.
6. Držite prekidač pritisnutim dok se kraj cijevi ne poravnava s rubom kalupa (Slika 10). Pazite da se električna nareznica ne sudari s potpornim uređajem. Otpustite gumb prekidača. Pustite električnu nareznicu da se potpuno zaustavi.

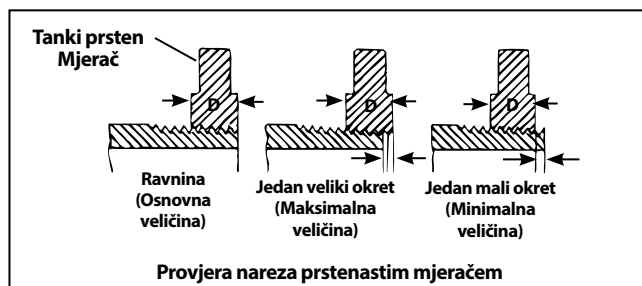


Slika 10 – Cijev poravnata s rubom noževa

7. Postavite prekidač u položaj hoda unatrag kako biste skinuli nareznu glavu s navoja cijevi. Čvrsto držite ručku električne nareznice kako biste se oduprli silama na ručki koje se stvaraju tijekom lomljenja nareza i vraćanja narezne glave.
8. Otpustite prekidač i uklonite električnu nareznicu i nareznu glavu s cijevi.
9. Suhim rukama iskopčajte električnu nareznicu.
10. Obrišite ulje i ostatke s navoja i s narezne glave pazeći da se ne porežete na oštre otpatke ili oštrice. Očistite svo proliveno ulje iz radnog područja.

Pregled navoja

1. Uklonite ulje, komadiće i otpatke s nareza.
2. Vizualno pregledajte narez. Narezi trebaju biti glatki i potpuni, dobrog oblika. Ako primijetite probleme poput kidanja nareza, tankih nareza ili cijevi koje nisu savršeno okrugle, narez možda neće dobro brtviti. Pogledajte "Otklanjanje grešaka" za pomoć u dijagnostici ranju problema.
3. Provjerite veličinu nareza. Najbolji način za provjeru veličine nareza je pomoću prstenastog mjeraca. Postoje razne inačice prstenastog mjeraca, a njihova se uporaba može razlikovati od one prikazane na slici 11.
 - Navijte prstenasti mjerac čvrsto na navoj.
 - Provjerite koliko kraj cijevi izlazi iz prstenastog mjeraca. Kraj cijevi trebao bi se poravnati s bočnom stranom mjeraca, plus ili minus jedan okret. Ako se navoj ne poravnava ispravno odrežite navoj, prilagodite nareznu glavu i izrežite još jedan navoj. Korištenje nareza koji se nije ispravno poravnavao može dovesti do curenja.



Slika 11 – Provjera veličine nareza

- Ako za mjerenje veličine nareza nije dostupan prstenasti mjerac moguće je koristiti novi čisti dio koji predstavlja one korištene u radu za mjerenje veličine nareza. Za nareze veličine 2" i ispod NPT, narezi bi trebali biti izrezani tako da je za ručno zatezanje dijela potrebno 4 do 5 okreta, a za nareze veličine 2" i ispod BSPT 3 okreta.

Električna nareznica 700 – druge uporabe

Ovaj priručnik sadrži specifične upute kako koristiti električnu nareznicu 700 za narezivanje s različitim RIDGID nareznim glavama. Kada se koristi s drugom RIDGID opremom (kao što je RIDGID 258/258XL električni rezač cijevi), za pravilno postavljanje i korištenje pratite upute i upozorenja isporučene s tom RIDGID opremom.

Ridge Tool ne mogu isporučiti specifične upute za svaku moguću uporabu električne nareznice 700. Korisnik mora procijeniti specifični obim posla i koristiti dobre radne prakse i metode. Ako postoji bilo kakva sumnja o korištenju električne nareznice 700 za druge namjene, nemojte ju koristiti.

Ako koristite električnu nareznicu 700 za druge svrhe, pažljivo procijenite i pripremite posao korištenjem općih smjernica dolje. Električna nareznica 700 osigurava visoki okretni moment i odgovarajuće velike sile koje mogu uzrokovati udarce i ozljede gnječenja.

- Kvadratni adapter RIDGID 774 može se koristiti za prilagodbu električne nareznice 700 u muški $\frac{1}{4}$ " kvadrat. Čvrsto namjestite adapter kako se ne bi odvojio prilikom uporabe.
- Mora se razviti odgovarajuća metoda koja će podnijeti sve sile (Pogledajte poglavlje "Otpor sili nareza"). Sile mogu premašiti 1000 lb (455 kg). Uređaji za potporu mogu se postaviti na kućište motora ili kućište ventilatora električne nareznice 700 (Slika 1).
- Uvijek držite električnu nareznicu nasuprot uređaja za potporu – ne stavljajte dijelove dijela između električne nareznice i uređaja za potporu.
- Tijekom uporabe ne bi trebalo postojati relativno gibanje između električne nareznice i uređaja za potporu.
- Provjerite da se primjena (kao što je rad ili testiranje ventila) slobodno obavlja, da se ne zaglavljuje i da su poznati krajevi hoda. Ako se sustav zaglavi ili zaustavi, sile ručke će se jako i snažno povećati ili se električna nareznica može okretati.
- Ako koristite za rad ventila ili druge opreme, pratite sve upute proizvođača te opreme. Nemojte preoptereti opremu.
- Uporaba takva da sila reakcije električne nareznice 700 odmiče nareznicu od korisnika.
- Otpustite prekidač u bilo kojem trenutku kako biste isključili električnu nareznicu. Provjerite da ste u mogućnosti otpustiti prekidač.

Upute za održavanje

⚠ UPOZORENJE

Provjerite je li prekidač isključen i je li kabel stroja izvučen iz utičnice prije nego što krenete s održavanjem ili podešavanjem.

Alat održavajte u skladu s ovim postupcima kako bi se smanjio rizik ozljede uslijed električnog udara, zapetljanja ili drugih uzroka.

Čišćenje

1. Nakon svake uporabe izbacite komadiće od narezivanja iz pladnja podmazivača 418 i obrišite ostatke ulja.
2. Uklonite ulje, masnoću, komadiće ili prašinu s električne nareznice, uključujući i ručke i upravljačke komande.
3. Obrišite ulje, masnoću ili prašinu s potporne ruke. Po potrebi očistite vilice potporne ruke čeličnom četkom.
4. Uklonite komadiće i prašinu s nareznih glava.

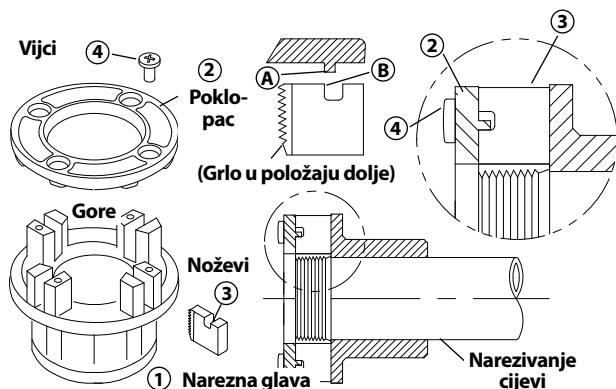
Podmazivanje

Koristite pištolj za podmazivanje kako biste dodali Lithium EP (Ekstremni tlak) mazivo kroz umetke za podmazivanje na kućištu zupčanika (pogledajte sliku 1) svakih 3 do 6 mjeseci, ovisno o uporabi stroja.

Zamjena noževa u nareznim glavama 12-R

Dostupan je veliki izbor noževa koji se mogu postaviti na narezne glave RIDGID 12-R. Dostupnost provjerite u katalogu.

1. Skinite četiri vijka (4), poklopac (2) i kalupe (3) s narezne glave.
2. U otvore umetnite nove noževe - rub s brojem (1,2,3,4) prema gore. Brojevi na noževima se moraju poklapati s onima na otvorima nareznih glava. Uvijek mijenjajte cijeli komplet noževa.
3. Postavite poklopac (2) i vijke (4) i lagano zategnite vijke.
4. Navijte narezanu cijev na kalupe dok ne počnu narezivati. To prisilno zaustavlja noževe "B" na navarenim pločicama "A" na pokrovnom poklopcu i podešava pravu veličinu.
5. Dobro zategnite četiri vijka. Uklonite narezanu cijev i napravite probni narez.



Slika 12 – Postavljanje noževa u nareznu glavu

Zamjena četki u motoru

Svakih 6 mjeseci provjerite četke motora. Zamijenite ih kad se istroše na manje od ¼" (6 mm).



Slika 13 – Postavljanje četke

1. Iskopčajte stroj s napajanja.
2. Odvijte kapice četke. Skinite četke i pregledajte ih. Zamijenite ih kad se istroše na manje od ¼" (6 mm). Provjerite istrošenost kolektora. U slučaju prekomjernog habanja, odnesite alat na servis.
3. Ponovno ugradite četkice/ugradite nove četkice.
4. Pustite jedinicu da radi na prazno oko 15 minuta u smjeru prema naprijed, te 15 minuta u obrnutom smjeru kako bi se nove četkice smjestile u kolektor prije uporabe.

Opcijska oprema

⚠ UPOZORENJE

Kako bi smanjili opasnost od teške ozljede, upotrebljavajte samo opremu posebno projektiranu i preporučenu za uporabu s električnom nareznicom 700, kao što je ova dolje navedena.

Kataloški br.	Opis
42600	770 adapter za 00-R (½" – 1") i 00-RB (¼" – 1")
42605	771 adapter za 0-R (½" – 1")
42610	772 adapter za 11-R (½" – 1¼")
42615	773 adapter za 111-R (½" – 1¼")
42620	774 Kvadratni adapter -15/16"
42625	Potporna ruka 775
46615	Ruka okretnog momenta
42950	Metalna kutija za prijenos B-171-X
10883	418 Mazalica s/1 galonom premium ulja za narezivanje
41620	Mazivo zupčanika motora

Više informacija o opremi dostupnoj za električnu nareznicu 700 možete pronaći na Internetu u katalogu RIDGID na RIDGID.com.

Skladištenje uređaja

⚠ UPOZORENJE Električnu nareznicu 700 za kišnog vremena treba držati u zatvorenom prostoru ili dobro pokrivenu. Skladištite stroj u zaključanom prostoru izvan do-sega djece i osoba koje nisu upoznate sa strojevima. Ovaj stroj može izazvati ozbiljne ozljede na rukama korisnika koji nisu obučeni.

Servisiranje i popravak

⚠ UPOZORENJE

Pogrešnim servisiranjem i popravcima alat može postati nesiguran za rad.

Upute za održavanje vode računa o većini servisnih potreba ovog uređaja. Probleme koji nisu navedeni u ovom odjeljku trebaju isključivo rješavati ovlaštene RIDGID serviseri.

Neispravan alat odnesite u servisni centar tvrtke RIDGID ili ga vratite u tvornicu. Koristite je isključivo RIDGID servisne dijelove.

Za dodatne informacije o Vama najbližem ovlaštenom RIDGID serviseru ili pitanjima u vezi popravka ili servisa:

- Kontaktirajte sa svojim lokalnim RIDGID distributerom.
- Posjetite RIDGID.com kako biste pronašli svoju kontaktnu točku za RIDGID.
- Kontaktirajte tehnički servisni odjel tvrtke Ridge Tool na rttechservices@emerson.com, a u SAD-u i Kanadi nazovite (800) 519-3456.

Informacije o ulju za narezivanje navoja

Pročitajte i slijedite sve upute na naljepnici ulja za narezivanje i Sigurnosnom listu s podacima (SDS). Specifične informacije o RIDGID uljima za narezivanje, uključujući prepoznavanje opasnosti, prvoj pomoći, gašenju požara, mjere pri slučajnom ispuštanju, upravljanje i pohrana, osobna zaštitna oprema, odlaganje i prijevoz, uključeni su u spremniku i SDS-u. SDS je dostupan na RIDGID.com ili kontaktiranjem tehničke podrške Ridge Tool na broj (800) 519-3456 u SAD-u ili Kanadi ili na adresu rttechservices@emerson.com.

Zbrinjavanje

Dijelovi električne nareznice 700 sadržavaju vrijedne materijale i možete ih reciklirati. Pronađite lokalne tvrtke koje se bave recikliranjem. Zbrinite dijelove u skladu sa svim primjenjivim zakonskim uredbama. Kontaktirajte s lokalnom institucijom za upravljanje otpadom za više informacija.



Za države EC: Ne odlažite električnu opremu zajedno s kućnim otpadom!

U skladu s Europskom smjernicom 2012/19/EU o električnoj i elektroničkoj opremi koja predstavlja otpad i njezinoj primjeni u lokalnom zakonodavstvu električnu opremu koju

više ne možete upotrijebiti morate odvojeno skupljati i odlagati na odgovarajući, ekološki način.

Otklanjanje grešaka

PROBLEM	MOGUĆI RAZLOZI	RJEŠENJE
Stroj neće raditi.	Četke ne dodiruju armaturu.	Provjerite četke i zamijenite ih ako su istrošene.
Stroj ne može narezivati.	Tupi noževi.	Zamijenite noževe.
	Preopterećenje uzrokovano pokidanim ili nepravilnim narezima.	Dolje pogledajte moguće razloge.
	Loša kvaliteta ili nedovoljna količina ulja za narezivanje.	Upotrijebite dovoljnu količinu ulja za narezivanje RIDGID.
	Nedovoljan napon linije.	Provjerite dovodni napon.
Tanki narezi.	Nedovoljan kontakt između četki i kolektora	Zategnite kapice četkice kako bi se četkice čvrsto pritiskule uz kolektor.
	Četkice ne dodiruju ispravno kolektor.	Zamijenite istrošene četkice i/ili armaturu.
	Četkice različite proizvodnje.	Koristite samo četkice RIDGID®.
	Nove četkice.	Namjestite četkice pustivši jedinicu da radi na prazno 15 minuta u smjeru naprijed ili natrag.
Narezna glava ne počinje s narezivanjem.	Narezna glava nije poravnata s krajem cijevi.	Pogurnite pokrovni poklopac kako biste pokrenuli narezivanje.
	Sila pritiska nije ispravno primijenjena na nareznu glavu.	Primijenite silu pritiska na središnju liniju cijevi.
	Kraj cijevi nije ravno odrezan.	Ravno odrežite kraj cijevi.
	Tupi ili slomljeni noževi.	Zamijenite noževe.
	Stroj radi u pogrešnom smjeru.	Upravljajte strojem u ispravnom smjeru.
	Noževi nepravilno postavljeni u nareznoj glavi.	Pazite da su nareznice postavljene prema van uz navarene pločice na pokrovnom poklopcu.
Pokidani narezi.	Oštećeni, okrhnuti ili istrošeni noževi.	Zamijenite noževe.
	Neodgovarajuće ili nedovoljna količina ulja za narezivanje.	Upotrijebite dovoljnu količinu isključivo ulja za narezivanje RIDGID®.
	Neppravilna vrsta noža za dotični materijal.	Odaberite nareznice oke brzine od nehrđajućeg čelika ili legure koji odgovaraju primjeni.
	Loš materijal/kvaliteta cijevi.	Koristite cijev veće kvalitete.
Zakrivljeni ili zgnječeni narezi.	Zid cijevi pretanak.	Koristite cijevi debljine 40 ili više.
Naprava za podupiranje se okreće tijekom narezivanja.	Priljave vilice potporne ruke.	Očistite žičanom četkom.
	Potporna ruka nije ispravno poravnata.	Poravnajte potpornu ruku s cijevi.
	Potporna ruka nije učvršćena.	Učvrstite ulazni vijak.
Tanki narezi.	Noževi nisu postavljeni u odgovarajućem redosljedu.	Ispravno postavite noževe u otvore narezne glave.

Električni pogon

700



⚠ OPOZORILO!

Pred uporabo orodja pazorno preberite ta uporabniški priročnik. Nerazumevanje in neupoštevanje vsebine tega priročnika lahko povzroči električni udar, požar in/ali hude telesne poškodbe.

700 Električni pogon

Serijsko številko zapišite spodaj in shranite serijsko številko izdelka, ki jo najdete na oznaki z imenom.

Serijska
Št.

Kazalo vsebine

Obrazec za vpis serijske številke naprave	271
Varnostni simboli	273
Splošna varnostna opozorila za električno orodje	273
Varnost delovnega območja	273
Električna varnost.....	273
Osebna varnost	274
Uporaba in nega električnega orodja	274
Servisiranje	274
Posebne varnostne informacije	275
Varnost električnega pogona.....	275
Opis, tehnični podatki in standardna oprema	275
Opis.....	275
Tehnični podatki	276
Standardna oprema.....	276
Pregled pred uporabo	276
Priprava in uporaba	277
Vgradnja rezalnih glav	278
Upiranje silam pri rezanju navojev.....	278
Izdelava navojev	279
Preverjanje navojev	280
Električni pogon 700 – druge uporabe	281
Navodila za vzdrževanje	281
Čiščenje	281
Mazanje.....	281
Menjava nastavkov rezalnih glav 12-R.....	281
Zamenjava ščetk motorja	282
Dodatna oprema	282
Shranjevanje naprave	282
Servisiranje in popravilo	282
Informacije o olju za rezanje navojev	283
Odstranjevanje	283
Odpravljanje napak	284
Izjava ES o skladnosti	Notranja stran zadnje strani
Dosmrtna garancija	Zadnja platnica

*Prevod izvirnih navodil

Varnostni simboli

V tem uporabniškem priročniku in na izdelku se uporabljajo varnostni simboli ter signalne besede za posredovanje pomembnih varnostnih informacij. V tem poglavju boste spoznali pomen teh signalnih besed in simbolov.



To je simbol za varnostno opozorilo. Uporablja se za opozarjanje na tveganje telesnih poškodb. Upoštevajte vsa varnostna sporočila, ki sledijo temu znaku, da se izognete morebitnim telesnim poškodbam ali smrti.

⚠ NEVARNOST

NEVARNOST pomeni nevarno situacijo, ki bo povzročila smrt ali hudo telesno poškodbo, če se ji ne izognete.

⚠ OPOZORILO

OPOZORILO pomeni nevarno situacijo, ki bi lahko povzročila smrt ali hudo telesno poškodbo, če se ji ne izognete.

⚠ POZOR

POZOR pomeni nevarno situacijo, ki bi lahko povzročila manjše ali srednje telesne poškodbe, če se ji ne izognete.

OPOMBA

OPOMBA pomeni informacijo, ki se nanaša na zaščito lastnine.



Ta simbol vas opozarja, da pred začetkom uporabe opreme skrbno preberite uporabniški priročnik. Priročnik za uporabnika vsebuje pomembne informacije o varni in pravilni uporabi naprave.



Ta simbol pomeni, da je treba pri uporabi ali delu s to opremo vedno uporabljati varnostna očala s stranskimi ščitniki ali naočnike, da zmanjšate nevarnost poškodbe oči.



Ta simbol opozarja na tveganje ujetja prstov, dlani, oblačil in drugih predmetov na zobnike ali med njimi ali drugimi vrtečimi se deli, kar povzroči telesne poškodbe zaradi zmečkanja.



Ta simbol pomeni nevarnost električnega udara.



Ta simbol označuje nevarnost prevračanja naprave, kar bi lahko povzročilo poškodbe zaradi udarcev ali zmečkanja.



Simbol pomeni, da med delom s to napravo ne nosite rokavic, da zmanjšate tveganje zapletanja.



Ta simbol pomeni, da vedno uporabite oporno napravo, ki vam je v pomoč ob upiranju sili rezanja navojev, za boljši nadzor in zmanjšanje tveganja za nastanek poškodb.

Splošna varnostna opozorila za električno orodje*

⚠ OPOZORILO

Pozorno preberite in se seznanite z vsemi navodili. Neupoštevanje vseh spodaj navedenih navodil lahko povzroči električni udar, požar in/ali hude telesne poškodbe.

VSA OPOZORILA IN NAVODILA SHRANITE ZA NADALJNJO UPORABO!

Izraz »električno orodje« v opozorilih se nanaša na vaše električno orodje (povezano z električnim kablom), ki je napajano iz električnega omrežja, ali na električno orodje z baterijo (brez kabla).

Varnost delovnega območja

- **Delovni prostor naj bo čist in dobro osvetljen.** Neurejeni ali slabo osvetljeni delovni prostori povečujejo verjetnost nesreče.
- **Električnih orodij ne uporabljajte v eksplozivnih atmosferah, npr. v prisotnosti vnetljivih tekočin, plinov ali prahu.** Električna orodja ustvarjajo iskre, zaradi katerih se lahko vnamejo prah ali hlapi.

- **Med uporabo električnih orodij naj se otroci in druge osebe ne približujejo.** Zaradi motenj ob delu lahko izgubite nadzor nad orodjem.

Električna varnost

- **Vtiči električnega orodja morajo ustrezati vtičnici. Vtiča nikoli na noben način ne spreminjajte.** Vtičev prilagojevalnika ne uporabljajte z ozemljenimi električnimi orodji. Ozemljena orodja morajo biti priključena v pravilno vgrajeno in ozemljeno vtičnico, skladno s predpisi. Nikoli ne odstranite ozemljitvenega pola in vtiča na noben način ne spreminjajte. Če dvomite, ali je vtičnica pravilno ozemljena, naj jo pregleda usposobljen električar. Nespremenjeni vtiči in ustrezne vtičnice zmanjšajo nevarnost električnega udara.
- **Izogibajte se stiku telesa z ozemljenimi površinami, kot so cevi, grelniki, štedilniki in hladilniki.** Če je vaše telo ozemljeno, obstaja večja nevarnost električnega udara.
- **Električnega orodja ne izpostavljajte dežju in vlažnim pogojem.** Voda, ki prodre v električno napravo, poveča tveganje električnega udara.

* Besedilo, ki je navedeno v razdelku Splošna varnostna pravila za električno orodje, je dobesedno prepisano iz ustrezne izdaje standarda UL/CSA 62841-1. Ta razdelek vsebuje splošne varnostne ukrepe za različne vrste električnih orodij. Vsi previdnostni ukrepi se ne nanašajo na vsa orodja, nekateri pa ne veljajo za to orodje.

- **S kablom ne ravnajte nasilno. Kabla nikoli ne rabite za prenašanje orodja ali za vlečenje vtiča iz vtičnice. Kabla ne izpostavljajte vročini, olju, ostrim robovom ali premikajočim se delom. Poškodovane kable nemudoma zamenjajte.** Poškodovani kabli povečajo tveganje električnega udara.
- **Kadar elektrin no orodje uporabljate na prostem, uporabite podaljšek za delo na prostem z oznako »W-A« ali »W«.** Ti kabli so namenjeni za uporabo na prostem in zmanjšajo tveganje električnega udara.
- **Če se ne morete izogniti uporabi električnega orodja na vlažnem mestu, uporabite napajanje, zaščiteno s stikalom za zemljostično zaščito (GFCI).** Uporaba zemljostične zaščite (GFCI) zmanjšuje tveganje električnega udara.

Osebna varnost

- **Med uporabo električnega orodja bodite pazljivi, pozorni in delajte z glavo. Električnega orodja ne uporabljajte, če ste utrujeni ali pod vplivom drog, alkohola ali zdravil.** Trenutek nepozornosti med uporabo orodja lahko povzroči hude telesne poškodbe.
- **Uporabljajte osebno zaščitno opremo. Vedno nosite zaščitna očala.** Zaščitna oprema, kot so zaščitna maska za prah, zaščitni čevlji z nedrsečim podplatom, zaščitna čelada ali zaščita sluha, ki jo uporabljate skladno z razmerami, zmanjša tveganje telesnih poškodb.
- **Izogibajte se nenamernemu vklopu orodja. Prepričajte se, da je stikalo izklopljeno, preden orodje priključite na električni vir in/ali baterijo, ga poberete ali prestavite.** Do nesreče lahko pride, če imate med nošenjem orodja prste na stikalu ali če nanj pritiskate, medtem ko priključite orodje.
- **Izvijač ali ključ, ki ga pustite pritrjenega na vrtljiv del električnega orodja, lahko povzroči telesne poškodbe.** Izvijač ali ključ, ki ga pustite pritrjenega na vrtljiv del električnega orodja, lahko povzroči telesne poškodbe.
- **Ne stegujte se. Vedno skrbite, da stojite stabilno in imate dobro ravnotežje.** Dobra opora za noge in ravnotežje omogočata boljši nadzor nad električnim orodjem v nepredvidljivih situacijah.
- **Bodite primerno oblečeni. Ne nosite ohlapnih oblačil in nakita. Lase in oblačila imejte varno oddaljene od premikajočih se delov.** Ohlapna oblačila, nakit ali dolgi lasje se lahko ujamejo v premikajoče se dele.
- **Če so na voljo naprave za sesanje in zbiranje praha, se prepričajte, da so priključene in pravilno uporabljene.** Uporaba zbiralnikov za prah lahko zmanjša tveganja zaradi prahu.

Uporaba in nega električnega orodja

- **Z električnim orodjem ne ravnajte s silo. Uporabljajte električno orodje, ki je primerno za vaše delo.** Z uporabo primerne električnega orodja boste delo opravili boljše in varneje, s hitrostjo, za katero je namenjeno.
- **Če s stikalom ne morete vklopiti in izklopiti električnega orodja, ga ne uporabljajte.** Vsako električno orodje, ki ga ne morete upravljati s stikalom, je nevarno in ga je treba popraviti.
- **Izvlomite vtič iz vtičnice in/ali odstranite komplet baterij iz električnega orodja preden karkoli prilagodite, zamenjate pripomočke ali električno orodje shranite.** S tovrstnimi preventivnimi varnostnimi ukrepi boste zmanjšali tveganje nenamernega vklopa električnega orodja.
- **Električno orodje, ki ga ne uporabljate, hranite izven dosega otrok in ne dovolite, da bi orodje uporabljale osebe, ki električnega orodja ne poznajo ali ki niso prebrale teh navodil.** Električna orodja so nevarna, če jih uporabljajo neizkušene osebe.
- **Električno orodje redno vzdržujte. Preverite, ali so gibljivi deli orodja pravilno nameščeni in se ne zatikajo. Preverite tudi, ali je kateri izmed delov pokvarjen, in bodite pozorni na vsa druga stanja električnega orodja, ki lahko vplivajo na njegovo delovanje. Če je električno orodje poškodovano, ga pred uporabo obvezno popravite.** Številne nesreče so posledica slabo vzdrževanih električnih orodij.
- **Rezalna orodja vzdržujte ostra in čista.** Pravilno vzdrževana rezalna orodja z ostrimi rezili se manjkrat zataknejo in jih je lažje upravljati.
- **Električno orodje, dodatno opremo, nastavke itd. uporabljajte skladno s temi navodili, pri tem pa upoštevajte delovne pogoje in delo, ki ga morate opraviti.** Uporaba električnega orodja v namene, druga ne od tistih, za katere je orodje predvideno, lahko povzroči nevarne situacije.

Servisiranje

- **Vaše električno orodje naj popravlja samo usposobljen strokovnjak in pri tem uporablja samo originalne nadomestne dele.** Tako bo vaše električno orodje ostalo varno za uporabo.

Posebne varnostne informacije

⚠ OPOZORILO

To poglavje vsebuje pomembna varnostna navodila, značilna za to orodje.

Pred uporabo električnega pogona 700 pazljivo preberite ta navodila za uporabo, da zmanjšate tveganje za električni udar, udarce, zmečkanja ali druge resne osebne poškodbe.

VSA OPOZORILA IN NAVODILA SHRANITE ZA NADALJNJO UPORABO!

Ta priročnik hranite skupaj z napravo, da ga lahko uporablja uporabnik naprave.

Varnost električnega pogona

- **Upoštevajte navodila o pravilni uporabi te naprave. Preberite in razumite navodila in opozorila za vso uporabljeno opremo in materiale pred uporabo električnega pogona.** Neupoštevanje vseh opozoril in navodil lahko povzroči materialno škodo in/ali hude telesne poškodbe.
- **Pri rezanju navojev na 1" (25 mm) ali večje cevi uporabite podporno napravo, da se uprete silam pri rezanju navojev. Uporabite ustrezno podporno napravo, kot določajo ta navodila.** Podporne naprave izboljšajo upravljanje in zmanjšajo tveganje telesnih poškodb zaradi udarca ali zmečkanja in/ali drugih telesnih poškodb.
- **Pri uporabi podporne naprave, ki je drugačna od priložene podporne roke, mora biti podporna naprava naslonjena na ohišje motorja.** Oporne naprave, ki se dotikajo drugih delov, lahko poškodujejo dele stroja ali povečajo nevarnost poškodb.
- **Pri rezanju navojev ali umikanju rezalne glave s cevi vedno trdno držite električni pogon, da se uprete silam pri rezanju navojev, ne glede na uporabljeno podporno napravo.** To zmanjša tveganje telesnih poškodb zaradi udarca ali zmečkanja in/ali drugih telesnih poškodb.
- **Električnega orodja ne uporabljajte, če stikalo ne deluje.** To stikalo je varnostna naprava, s katero lahko ugasnete motor, tako da sprostite stikalo.
- **Pri uporabi naprav ne nosite rokavic ali ohlapnih oblačil. Rokavi in jopiči naj bodo zapeti. Ne segajte preko naprave ali cevi.** Oblačila se lahko ujamejo v cev ali stroj, kar lahko povzroči zapletanje.
- **Postopek dela in delovanje naprave mora nadzorovati ena sama oseba.** Ko naprava deluje, naj bo v delovnem območju samo uporabnik. To pomaga zmanjšati tveganje telesnih poškodb.

- **Ne uporabljajte topih ali poškodovanih rezalnih orodij.** Ostra rezalna orodja zahtevajo manj navora in je električni pogon laže obvladati.
- **Ročaje vzdržujte suhe, čiste in razmaščene.** To omogoča boljše upravljanje orodja.
- **Pazite, da bodo tla suha. Na njih ne sme biti spolzkih snovi, npr. olja.** Nesreče so lahko posledica spolzkih tal.
- **Z električnim pogonom RIDGID 700 uporabljajte le rezalne glave RIDGID, druge rezalne glave se morda ne bodo pravilno prilegale električnemu pogonu, kar poveča tveganje škode na opremi in telesnih poškodb.**
- **Pri uporabah v druge namene, kot je opisano v tem priročniku, uporabite oporno napravo za upiranje silam ročice.** Podporne naprave izboljšajo upravljanje in zmanjšajo tveganje telesnih poškodb zaradi udarca ali zmečkanja in/ali drugih telesnih poškodb.

Če imate vprašanja v zvezi s tem izdelkom RIDGID®:

- Obrnite se na svojega dobavitelja opreme RIDGID®.
- Obiščite www.RIDGID.com in poiščite krajevno stično točko.
- Obrnite se na oddelek za tehnične storitve za Ridge Tool na naslovu rtctechservices@emerson.com, v ZDA in Kanadi pa lahko pokličete tudi (800) 519-3456.

Opis, tehnični podatki in standardna oprema

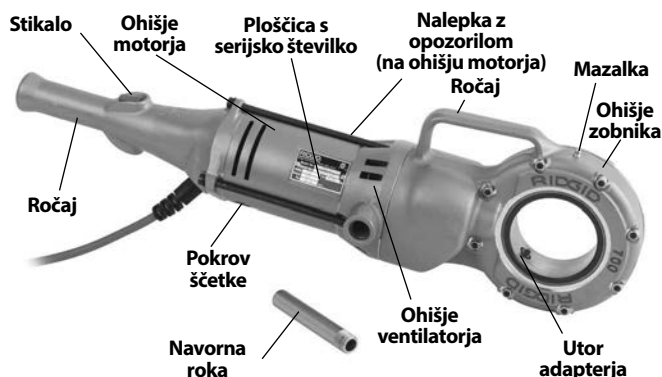
Opis

Električni pogon RIDGID® model 700 je zasnovan za zagotavljanje električne energije pri rezanju navojev cevi in vodov. Z reverzibilno stikalom lahko izberete vrtenje naprej ali nazaj.

Električni pogon je zasnovan za uporabo spustnih rezalnih glav RIDGID 12-R (cevi 1/8" – 2"). Z adapterji lahko uporabljate druge rezalne glave RIDGID, kot sta OO-R in 11-R.

Pri rezanju navojev na ceveh 1" ali več, potrebujete oporno napravo št. 775 ali RIDGID 14" visoko zmogljiv ključ za cevi, da vam je v pomoč pri upiranju sili.

Električni pogon se lahko uporablja tudi za pogon cevnega rezalca RIDGID 258 in za druge aplikacije (*glejte "Druge uporabe"*).


Slika 1 – Električni pogon model 700

Tehnični podatki

Zmogljivost rezanja navojev.....	Cevi 1/8" do 2" (3 do 50 mm) Vijaki 1/4" do 1" (6 do 25 mm) z rezalno glavo 00-RB
Motor:	
Tip.....	univerzalni, zamenljivi
V.....	110 120 220-240
A.....	13,5 13,5 6,5
Frekvenca.....	50/60 Hz 50/60 Hz 50/60 Hz
Moč.....	1500 1500 1500
Delovna hitrost.....	26-30 RPM, brez obremenitve
Krmila.....	Dvojno povratno stikalo s povratkom vzmeti v položaj IZKLOP
Gonilo glave.....	Aluminijasto ohišje, čelni zobniki reductor z valjastimi zobniki, vzmetno gonilo adapterja, kaljena jeklena gred zobnika
Mere:	
Dolžina.....	28 1/4" (717 mm)
Širina.....	6 1/16" (154 mm)
Višina.....	7 13/16" (198 mm)
Teža.....	25 lbs. (11 kg)
Zvočni tlak (L _{PA})**.....	98,4 dB(A), K=3
Moč zvoka (L _{WA})**.....	107 dB(A), K=3
Treslajaji**.....	2,5 m/s ² , K=1,5

* Za informacije o motorju za vaš stroj si oglejte ploščico s serijsko številko stroja - na voljo si druge različice.

** Merjenje hrupa in treslajev je opravljeno z uporabo standardiziranega preskušanja skladno s standardom EN 62481-1.

- Ravnih vibracij se lahko uporabijo za primerjavo z drugimi orodji in preliminarno ocenjevanje izpostavljenosti.

- Emisije hrupa in vibracij se lahko razlikujejo, odvisno od vaše lokacije in načina uporabe orodja.

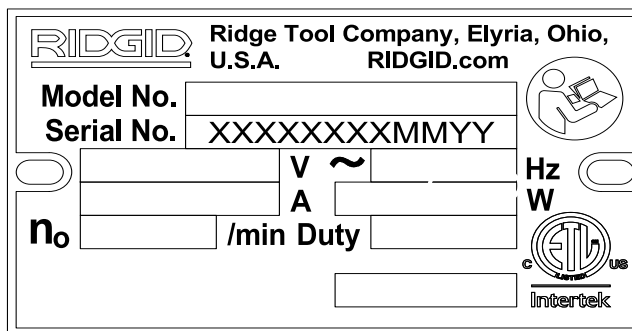
- Dnevne ravni izpostavljenosti hrupu in vibracijam je treba oceniti za vsako uporabo in je treba upoštevati ustrezne previdnostne ukrepe. Ob ocenjevanju ravnih vibracij je treba upoštevati čas, med katerim je orodje izklopljeno in se ne uporablja. To lahko znatno pomanjša raven izpostavljenosti v skupnem času uporabe orodja.

Standardna oprema

Električni pogon model 700 ima priložene naslednje elemente:

- Električni pogon 700
- Navorna roka
- Podporna naprava
- Uporabniški priročnik

Ploščica s serijsko številko električnega pogona 700 je nameščena na dnu ohišja motorja. Zadnja 4 mesta označujejo mesec in leto proizvodnje. (12 = mesec, 15 = leto)


Slika 2 – Serijska številka naprave

OPOMBA Za izbiro primernih materialov in načinov vgradnje, spajanja ter oblikovanja je odgovoren projektant in/ali inštalater sistema. Izbira neustreznih materialov in načinov lahko povzroči odpoved sistema.

Nerjaveče jeklo in drugi materiali, odporni proti koroziji, se lahko med vgradnjo, spajanjem in oblikovanjem onesnažijo. Tovrstno onesnaženje lahko povzroči korozijo in skrajšanje življenjske dobe. Pred začetkom vgradnje vedno opravite skrbno vrednotenje materialov in metod za določene pogoje uporabe, vključno s kemičnimi ter temperaturnimi pogoji.

Pregled pred uporabo

⚠ OPOZORILO



Pred vsako uporabo preglejte električni pogon 700 in odpravite morebitne težave, da zmanjšate tveganje hudih telesnih poškodb zaradi električnega udara, zmečkanja ali drugih vzrokov ter da preprečite škodo na orodju.

1. Poskrbite, da je električni pogon odklopljen.
2. Z električnega pogona in morebitne podporne naprave, vključeno z ročaji ter elementi za upravljanje, očistite vse olje, mast in umazanijo. To pomaga pri pregledovanju in preprečuje drsenje naprave ali elementov za upravljanje, ko jih držite.
3. Električni pogon preglejte za:
 - Poškodbe ali predelave kabla in vtiča.
 - Pravilno sestavljanje, vzdrževanje in celovitost.
 - Poškodovani, neizravnani ali zatikajoči se deli.
 - Pravilno delovanje stikala. Potrdite, da gladko kroži in se ne lepi.
 - Prisotnost in berljivost opozorilnih nalepk (Slika 3).
 - Preverite vsa druga stanja, ki bi lahko preprečila varno in običajno delovanje.

Če opazite kakršne koli težave, ne uporabljajte električnega pogona ali podporne naprave, dokler težav ne popravite.

4. Preglejte podporno roko. Prijemalni zobje podporne roke morajo biti čisti in v dobrem stanju. Zobe lahko očistite z žično krtačo.
5. Preverite, ali so rezila rezalnih nastavkov obrabljena, deformirana, okrušena ali drugače poškodovana. Topa ali poškodovana rezalna orodja povečajo potrebno silo, povzročijo slabo kakovost navojev in povečajo tveganje telesnih poškodb.
6. Vso drugo uporabljeno opremo preglejte in vzdržujte skladno z navodili, da zagotovite pravilno delovanje.
7. Preverite pravilno delovanje električnega pogona po navodilih za pripravo in uporabo.
 - Pritisnite in spustite stikalo za rotacijo NAPREJ in ponovite za rotacijo NAZAJ, kot je prikazano na Sliki 3. Preverite, ali se električni pogon vrti kot je prikazano na Sliki 3, in da stikalo krmili delovanje stroja. Pustite, da se električni pogon do konca ustavi, preden obrnete smer vrtenja z stikalom. To zmanjša tveganje škode na električnem pogonu.
 - Pritisnite in zadržite stikalo. Preverite, ali so gibljivi deli orodja pravilno nameščeni in niso ukleščeni, morebitne nenavadne zvoke ter kakršne koli druge nenavadne pojave. Sprostite stikalo.

Če naprava ne deluje pravilno ali opazite neobičajna stanja, naprave ne uporabljajte, dokler ne bo popravljena.



Slika 3 – Položaj stikala za smer vrtenja

8. Sprostite gumb stikala in s suhimi rokami odklopite stroj.

Priprava in uporaba

⚠ OPOZORILO



Električni pogon 700 pripravite in uporabljajte skladno s temu postopki, da zmanjšate tveganje telesnih poškodb električnega udara, zapletanja, udarca, zmečkanja in drugih vzrokov ter preprečite škodo na električnem pogonu.

Pri rezanju navojev na 1" (25 mm) ali večje cevi uporabite podporno napravo, da se uprete silam pri rezanju navojev. Uporabite ustrezno podporno napravo, kot določajo ta navodila. Podporne naprave izboljšajo upravljanje in zmanjšajo tveganje telesnih poškodb zaradi udarca ali zmečkanja in/ali drugih telesnih poškodb.

Pri rezanju navojev ali umikanju rezalne glave s cevi vedno trdno držite električni pogon, da se uprete silam pri rezanju navojev, ne glede na uporabljeno podporno napravo. To zmanjša tveganje telesnih poškodb zaradi udarca ali zmečkanja in drugih telesnih poškodb.

Pravilno podprite cev. To zmanjša tveganje padca cevi, prevračanja in hudih telesnih poškodb.

Električnega pogona ne uporabljajte brez ustrezno delujoče stopalke.

Pri uporabi strojev ne nosite rokavic ali ohlapnih oblačil. Rokavi in jopiči naj bodo zapeti. Ne segajte preko naprave ali cevi. Oblačila se lahko ujamejo v cev ali stroj, kar lahko povzroči zapletanje.

Ena oseba mora nadzorovati tako delovni postopek kot stikalo. Naprave ne sme upravljati več oseb sočasno. V primeru zapletanja mora imeti operater nadzor nad stikalom.

1. Preverite, ali so na delovnem območju prisotne naslednje stvari:

- Ustrezna razsvetljava.
- Vnetljive tekočine, hlapi ali prah, ki se lahko vnamejo. Če so prisotni, v območju ne delajte, dokler viri niso ugotovljeni in odpravljeni. Električni pogoni nimajo protieksplzijske zaščite in lahko povzročijo iskre.
- Čisto, ravno, stabilno in suho mesto za vso opremo ter uporabnika.
- Dobro prezračevanje. Ne uporabljajte v velikem obsegu v majhnih zaprtih prostorih.
- Pravilno ozemljena električna vtičnica z ustrežno napetostjo. V dvomih se obrnite na pooblaščenega električarja.
- Počistite pot do električne vtičnice, tako da ne bo vsebovala morebitnih virov poškodb za električni kabel.

2. Preglejte cev za rezanje navojev in s tem povezane priključke ter potrdite, da je izbrani električni pogon 700 primeren za delo. *Glejte Tehnične podatke.*

Opremo za druge načine uporabe lahko najdete v katalogu orodij Ridge, na spletu na naslovu RIDGID.com ali s klicem na oddelek za tehnične storitve za orodja Ridge v ZDA in Kanadi na številko (800) 519-3456.

3. Zagotovite ustrezen pregled vse uporabljene opreme.
4. Po potrebi pravilno pripravite cev. Poskrbite, da je cev ravno odrezana in so odstranjeni grebeni. Pod kotom odrezana cev lahko poškoduje rezalne nastavke ali povzroči težave pri nastavljanju rezalne glave.
5. Poskrbite, da je cev za vrezovanje navojev stabilna in pritrjena, da preprečite prevračanje med uporabo. Uporabite primerna stojala za cev, da podprete cev po celotni dolžini.
6. Preverite raven olja za vrezovanje navojev RIDGID v mazalniku z oljem RIDGID 418. Odstranite pladenj za ostružke in poskrbite, da je sito filtra čisto in do konca potopljeno v olje. Po potrebi zamenjajte ali dodajte olje. Vedro mazalnika z oljem 418 postavite pod konec cevi, v katero želite vrezati navoje.

Vgradnja rezalnih glav

1. Poskrbite, da je električni pogon odklopljen iz vtičnice.
2. Potisnite 12-R rezalno glavo ali adapter (*glejte Dodatna oprema*), najprej konec utora, pravokotno v električni pogon, dokler se vzmetno gonilno zatikalo varno ne zaskoči v utor. (*Slika 4*). Rezalno glavo ali adapter lahko vstavite na kateri koli strani električnega pogona. V nekaterih primerih morate rezalne glave/adapterje zasukati, da omogočite zataknitev zatikala. Adapterja 770 in 773 morata imeti rezalno glavo nameščeno v adapter pred vstavljanjem v električni pogon.

3. Če jo želite odstraniti, ravno potegnite rezalno glavo z električnega pogona. Po potrebi uporabite mehko kladivo ali leseno klado, da izbijete rezalno glavo. Ne udarjajte po glavi, to lahko poškoduje orodje.



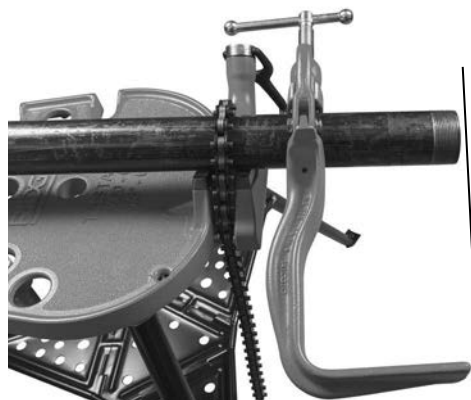
Slika 4 – Vgradnja rezalnih glav v električni pogon 700-I

Upiranje silam pri rezanju navojev (podporne naprave)

Za desne navoje se rezalna glava vrti v desno (gledano na čelno stran rezalne glave). Sile, ki nastanejo zaradi navora vrezovanja navojev, bodo potekale v nasprotno ali levo smer. Smer vrtenja in sila se za leve navoje obrneta. Poskrbite, da je podpora naprava pravilno nastavljena za prevzemanje sile vrezovanja navojev.

Uporaba podporne roke št. 775

1. Krmilni kavelj oporne roke lahko sestavite na kateri koli strani. Varno pritrdite zapah vijaka.
2. Namestite podporno roko na cev tako, da je konec kraka poravnana s koncem cevi in je električni pogon 700 nekoliko na vodoravnem položajem (*Sliki 5 in 6*). Na ta način bo oporna roka ustrezno nameščena za rezanje navojev in preprečite, da bi olje za rezanje navojev teklo po električnem pogonu.
3. Poskrbite, da so čeljusti podporne roke poravnane s cevjo, in trdno zategnite podporno roko.



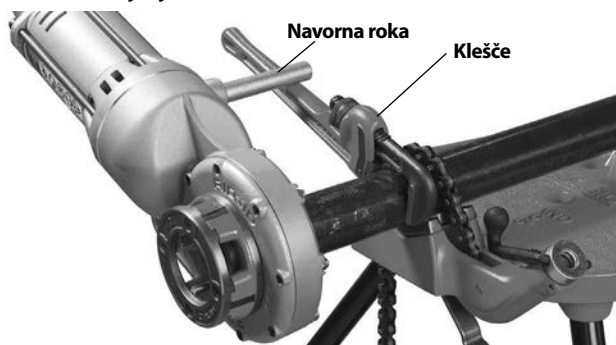
Slika 5 – Podporna roka poravnana s koncem cevi



Slika 6 – Podporna roka nameščena s 700 električnim pogonom nekoliko nad vodoravno linijo

Z RIDGID 12", 14" ali 18" visoko zmogljivim ključem za cevi:

1. Varno namestite momentne ročice v ohišje ventilatorja na električni pogon 700. Uporabite lahko tudi 5" (127 mm) dolg kos ½" jeklene cevi razreda 80 z navojem ½" NPT.
2. Postavite visoko zmogljiv ključ za cevi RIDGID 12", 14" ali 18" približno 7" (175 mm) od konca cevi (glejte Sliko 7). Preverite, da potrdite, ali je ključ varno pritrjen in ne bo padel ali se premikal.
3. Ob zagonu rezanja navoja bo navorna ročica nameščena na ročaj ključa za cevi.



Slika 7 – Rezanje navojev s ključem cevi kot oporno ročico

Druge metode opore:

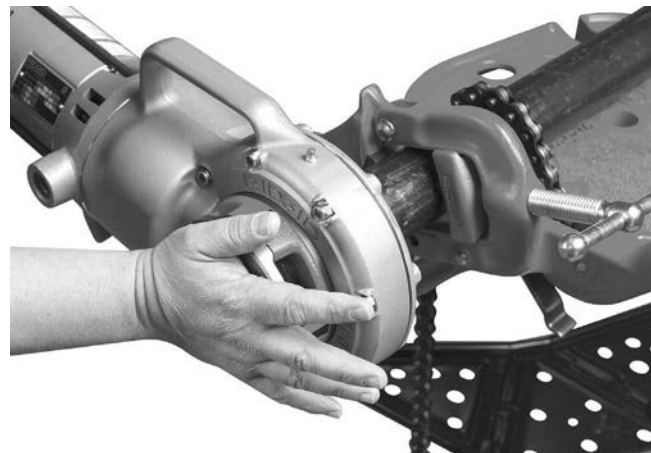
Postavite ohišje motorja električnega pogona (glejte Sliko 1) proti sosednjem gradbenem elementu (primeri vključujejo stene, tramove in nosilce). To zahteva, da lahko cev, se jo navija, in njena okolica vzdrži težo orodja ter sile pri vrezovanju navoja. Morda boste morali dodati začasne ali trajne podpore za cevi ali nosilne elemente, da se uprete silam pri rezanju navojev.

Za cevi s premerom ¾" in manj:

Na cevi do premera ¾" lahko vrezujete navoje brez podporne naprave. V tem primeru se silam vrezovanja navojev upira uporabnik. Cev mora biti pravilno pritrjena, da preprečite vrtenje. Pri rezanju navojev ali umikanju rezalne glave s cevi vedno trdno držite električni pogon, da se uprete silam pri uporabi. To zmanjša tveganje telesnih poškodb zaradi udarca ali zmečkanja in drugih telesnih poškodb.

Izdelava navojev

1. S suhimi rokami priključite električni pogon.
2. Rezalno glavo namestite na konec cevi in podprite električni pogon, kot je opisano v razdelku Upiranje silam pri rezanju navojev. Vedno pritiskajte električni pogon proti oporni napravi. Ne polagajte ničesar med električni pogon in oporno napravo - to poveča tveganje priščipnjenja in poškodb z zmečkanjem.
3. Predvidevajte ustrezen položaj delovanja za pomoč pri kontroli naprave in cevi (glejte Sliko 9).
 - Bodite prepričani, da imate dobro ravnotežje in vam ni treba segati preko stroja.
 - Prepričajte se, da lahko upravljate s stikalom. Ne pritiskajte še stikala. V nujnem primeru morate odpustiti stikalo.



Slika 8 – Začenjanje vrezovanja

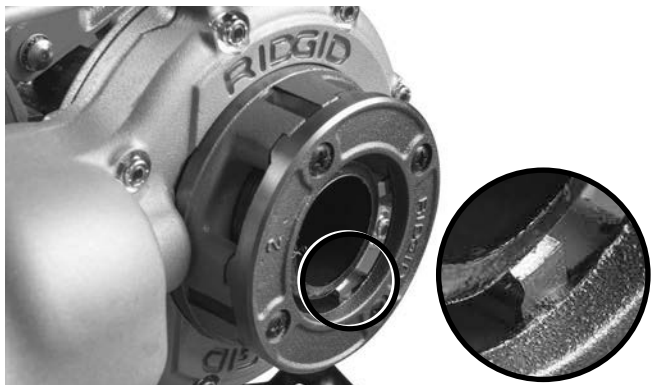
4. Sočasno aktivirajte stikalo (glejte Sliko 3) in potisnite proti pokrovu na rezalni glavi z dlanjo proste roke, da začnete rezanje navoja (Slika 8). Med pritiskanjem proti pokrovni plošči ne nosite rokavic in nakita ter ne uporabite krpe – s tem se poveča tveganje zapletanja in telesnih poškodb. Ko rezalni nastavki primejo za cev se navoj izreže, ko se rezalni nastavki potegnejo na konec cevi.

Vedno trdno držite ročaj električnega pogona, da se uprete silam na ročaj. Podporne naprave lahko zdrsnejo in dovolijo premikanje pogona. Stikalo lahko kadar koli sprostite, da IZKLOPITE električni pogon.



Slika 9 – Vrezovanje navoja v cev

5. Prenehajte pritiskati pokrovno ploščo in uporabite mazalnik z oljem, da nanesete obilo olja za rezanje navojev RIDGID na območje, kjer režete navoje. S tem zmanjšate navor vrezovanja navojev, izboljšate kakovost navoja in povečate življenjsko dobo rezalne glave.
6. Stikalo držite pritisnjeno, dokler konec cevi ni poravnana z robom matrice (Slika 10). Pazite, da električni pogon ne trči z oporno napravo. Spustite stikalo. Električni pogon pustite, da se popolnoma ustavi.

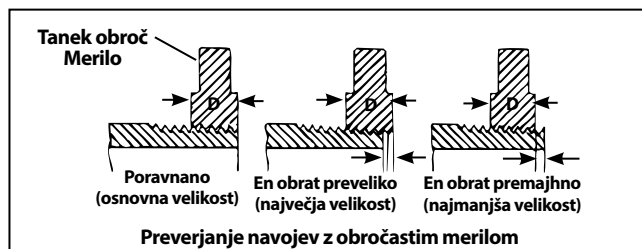


Slika 10 – Cev je poravnana z robom rezalnih nastavkov

7. Aktivirajte stikalo v nasprotni smeri, da rezalno glavo odstranite z navoja cevi. Trdno držite ročaj električnega pogona, da se uprete silam na ročaj, ki se ustvarijo pri lomljenju navoja in snemanju rezalne glave.
8. Sprostite stikalo in odstranite električni pogon ter rezalno glavo s cevi.
9. S suhimi rokami odklopite električni pogon.
10. Z navojev in rezalne glave obrišite olje in umazanijo, pri tem pa pazite, da se ne urežete na ostri umazaniji ali robovih. Počistite vse razlito olje v območju dela.

Preverjanje navojev

1. Z navoja odstranite vse olje, ostružke in umazanijo.
2. Preglejte navoj. Navoji morajo biti gladki in celoviti z dobro obliko. Če opazite težave, kot so trganje navoja, tanki navoji ali odstopanje oblike cevi, navoj pri priključitvi morda ne bo tesnil. Glejte tabelo "Reševanje težav" za pomoč pri prepoznavanju teh težav.
3. Preglejte velikost navoja. Prednostni način preverjanja velikosti navoja je z obročastim merilnikom. Obstaja več slogov obročastih merilnikov, njihova raba pa se lahko razlikuje od prikazane na Sliki 11.
 - Obročasti merilnik z roko privijte na navoj.
 - Poglejte, kako daleč štrli cev skozi obročasti merilnik. Konec cevi mora biti poravnana s stranico merilnika ali pa mora manjkati en obrat. Če navoj nima pravilne mere, ga odrežite, nastavite rezalno glavo in vrezite novega. Uporaba navoja, ki nima pravilne mere, lahko povzroči puščanje.



Slika 11 – Preverjanje velikosti navoja

- Če za preverjanje velikosti navoja nimate obročastega merilnika, lahko uporabite nov čist priključek, ki je dober primer uporabljenih, da ocenite velikost navoja. Za navoje 2" NPT in manjše morate navoje vrezati tako, da dosežete od 4 do 5 obratov do zaustavitve pri privijanju priključka z roko, za navoje 2" BSPT in manjše pa morate doseči 3 obrate.

Električni pogon 700 – druge uporabe

Ta priročnik vsebuje posebna navodila za uporabo električnega pogona 700 z različnimi rezalnimi glavami RIDGID. Ko uporabljate z drugo opremo RIDGID (kot je električni cevni rezalec RIDGID 258/258XL) upoštevajte navodila in opozorila, ki so priložena tej opremi RIDGID za pravilno namestitvev in uporabo.

Družba Ridge Tool ne more zagotoviti posebnih navodil za vse možne uporabe električnega pogona 700. Uporabnik mora ovrednotiti določen scenarij dela in uporabiti dobre delovne prakse in metode. Če obstaja dvom o uporabi električnega pogona 700 za te druge namene, ga ne uporabljajte.

Če uporabljate električni pogon 700 v druge namene, skrbno ocenite in pripravite delo s spodnjimi splošnimi smernicami. Električni pogon 700 dovaja visok navor in ustrezno visoke sile vzvoda moči, ki lahko povzročijo udarce in zmečkanine.

- RIDGID 774 oglati adapter pogona se lahko uporablja za prilagajanje električnega pogona 700 za obračanje moškega $1\frac{5}{16}$ " ogleatega nastavka. Adapter trdno pritrdite, da preprečite snemanje med uporabo.
- Razviti je treba ustrezno metodo za zagotavljanje upora vsem silam vzvoda (glejte razdelek *Upiranje silam vzvoda*). Sile lahko presegajo 1000 lbs (455 kg). Oporne naprave lahko namestite na ohišje motorja ali ohišje ventilatorja električnega pogona 700 (*Slika 1*).
- Vedno držite električni pogon naslonjen na oporne naprave – se telesom se ne postavite med električni pogon in oporno napravo.
- Med uporabo ne sme priti do relativnega premikanja med električnim pogonom in oporno napravo.
- Preverite, ali se uporaba (kot na primer delovanje ali odpiranje in zapiranje ventila) lahko prosto vrti, se ne zatika in poznate končne položaje hoda. Če se sistem zatakne ali se med uporabo ustavi, se bo sila ročaja nenadoma in občutno povečala, ter se električni pogon lahko obrne.
- Pri uporabi za odpiranje in zapiranje ali uporabo ventilov ali druge opreme, upoštevajte navodila proizvajalca opreme. Ne preobremenjujte opreme.
- Uporabljajte tako, da reakcijska sila električni pogon 700 potegne v stran od uporabnika.
- Kadarkoli sprostite stikalo, da električni pogon izklopite. Prepričajte se, da boste lahko spustiti stikalo.

Navodila za vzdrževanje

⚠ OPOZORILO

Pred izvajanjem vzdrževanja ali prilagoditev se prepričajte, da je stikalo za izklopljeno in da je naprava odklopljena.

Orodje vzdržujte skladno s temi postopki, da zmanjšate tveganje telesnih poškodb zaradi električnega udara, zapletanja in drugih vzrokov.

Čiščenje

1. Po vsaki uporabi izpraznite ostružke zaradi rezanja navojev iz mazalnika z oljem 418 in obrišite ostanke olja.
2. Z električnega pogona obrišite olje, mast, ostružke in umazanijo, tudi z ročajev ter elementov za upravljanje.
3. Olje, mast ali umazanijo obrišite s podporne roke. Po potrebi očistite čeljusti podporne roke z žično krtačo.
4. Z glav odstranite ostružke in umazanijo.

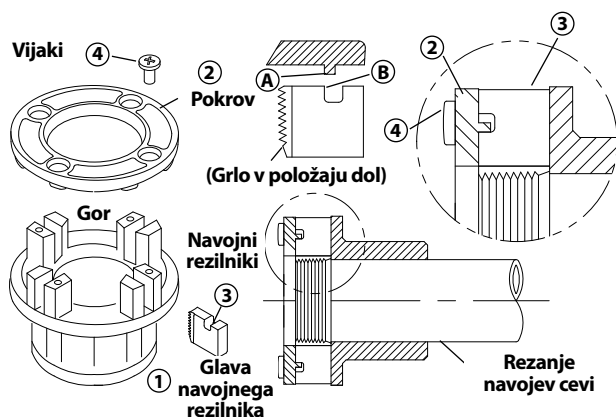
Mazanje

Uporabite pištolo za mast, da na mazalna mesta naneseš Litijevo EP (Extreme Pressure-Izjemno visok tlak) mast preko mazalk (*glejte Slika 1*) vsakih 3 do 6 mesecev, odvisno od uporabe naprave.

Menjava nastavkov rezalnih glav 12-R

Za rezalne glave RIDGID 12-R so na voljo različni rezalni nastavki. Za razpoložljivost *glejte katalog*.

1. Odstranite štiri vijake (4), pokrov (2) in rezalne nastavke (3) z rezalne glave.
2. Nove rezalne nastavke vstavite v reže z oštevilčeno stranjo (1,2,3,4) navzgor. Številke na rezalnih nastavkih se morajo ujemati s številkami na režah rezalne glave. Rezalne nastavke vedno zamenjajte v kompletu.
3. Namestite pokrov (2) in vijake (4) in vijake rahlo.
4. Privijte navojni konec cevi v rezalne nastavke, dokler ne začnejo rezati navoja. To potisne nastavke "B" navzven proti naslonom "A" na pokrivni plošči in pravilno nastavi velikost.
5. Trdno zategnite štiri vijake. Odstranite cev z navojem in opravite preizkusno vrezovanje.



Slika 12 – Vgradnja rezalnih nastavkov v glavo

Zamenjava ščetk motorja

Ščetke motorja preverite vsakih 6 mesecev. Zamenjajte jih, ko so obrabljene na manj kot ¼" (6 mm).



Slika 13 – Vgradnja ščetke

1. Odklopite napravo iz vira napajanja.
2. Odvijte pokrove ščetk. Odstranite in pregledajte ščetke. Zamenjajte jih, ko so obrabljene na manj kot ¼" (6 mm). Preverite, ali je komutator obrabljen. Če je preveč obrabljen, dajte orodje v servis.
3. Ponovno namestite ščetke/namestite nove ščetke.
4. Enoto pred uporabo pustite 15 minut delovati v prostem teku v smeri naprej in nato 15 minut v smeri nazaj, da se ščetke usedejo na komutator.

Dodatna oprema

⚠ OPOZORILO

Da zmanjšate tveganje za resne poškodbe, uporabljajte le opremo, posebej zasnovane in priporočene za uporabo z električnim pogonom 700, kot so navedeni spodaj.

Kat. št.	Opis
42600	770 adapter za 00-R (½" – 1") in 00-RB (¼" – 1")
42605	771 adapter za 0-R (½" – 1")
42610	772 adapter za 11-R (½" – 1¼")
42615	773 adapter za 111-R (½" – 1¼")
42620	Oglati adapter pogona 774 – 15/16"
42625	Podporna roka 775
46615	Navorna roka
42950	Kovinski kovček B-171-X
10883	418 oljnik z 1 galono premijskega olja za rezanje navojev
41620	Mast za glavo gonila motorja

Za dodatne informacije o dodatni opremi, ki je na voljo za električni pogon 700, glejte RIDGID spletni katalog na RIDGID.com.

Shranjevanje naprave

⚠ OPOZORILO Električni pogon 700 je treba shraniti v zaprtih prostorih ali ga dobro pokriti za primer deževnega vremena. Napravo shranjujte v zaklenjenem prostoru zunaj dosega otrok in oseb, ki niso seznanjene z napravami. Ta stroj lahko v rokah neusposobljenih uporabnikov povzroči hude telesne poškodbe.

Servisiranje in popravilo

⚠ OPOZORILO

Neustrezno servisiranje ali popravilo lahko naredita stroj nevaren za obratovanje.

Navodila za vzdrževanje zajemajo večino potreb servisiranja te naprave. Morebitne težave, ki jih ta razdelek ne obravnava, naj ureja izključno pooblaščen servisler družbe RIDGID.

Orodje je treba odnesti v samostojni pooblaščen servisni center RIDGID ali vrniti v tovarno. Uporabljajte le servisne dele RIDGID.

Za informacije o najbližjem neodvisnem pooblaščenem servisnem centru RIDGID ali v primeru kakršnih koli vprašanj o servisiranju ali popravilu:

- Obrnite se na krajevnega distributerja RIDGID.
- Obiščite www.RIDGID.com in poiščite krajevno stično točko.
- Stopite v stik s tehničnim servisnim oddelkom Ridge na rtctechservices@emerson.com, ali v ZDA in Kanadi pokličite (800) 519-3456.

Informacije o olju za rezanje navojev

Preberite in sledite vsem navodilom na etiketi olja za rezanje navojev in listu o varnostnih podatkih (SDS). Specifične informacije o RIDGID Oljih za rezanje navojev, vključno z identifikacijo nevarnih snovi, prvo pomočjo, požarno varnostjo, ukrepih ob nenamerni sprožitvi, ravnanju in shranjevanju, opremi za osebno varnost, odlaganju in prevozu, so vključene na embalaži in SDS. SDS dobite na RIDGID.com ali če se obrnete na oddelek za tehnične storitve za orodja Ridge na naslovu rtctechservices@emerson.com, v ZDA in Kanadi pa lahko pokličete tudi (800) 519-3456.

Odstranjevanje

Deli električnega pogona 700 vsebujejo dragocene dele in jih je možno reciklirati. Podjetja, ki so specializirana za recikliranje, lahko najdete tudi v svoji bližini. Komponente zavrzite skladno z vsemi zadevnimi predpisi. Ve informacij poiščite pri komunalni upravi v svojem kraju.



Za države ES: Električne opreme ne odvrzite med gospodinjske odpadke!

V skladu z Evropsko direktivo 2012/19/EU o odpadni električni in elektronski opremi in njenem vključevanju v državno zakonodajo, mora neuporabna električna oprema biti zbrana ločeno in odstranjena na pravilen okoljevarstveni način.

Odpravljanje napak

TEŽAVA	MOŽNI VZROKI	REŠITEV
Naprava ne deluje.	Ščetke se ne dotikajo armature.	Preverite ščetke in jih zamenjajte, če so obrabljene.
Naprava ne more izdelovati navojev.	Topi rezalni nastavki. Preobremenitev zaradi strganih ali neokroglih navojev. Slaba kakovost ali premalo olja za vrezovanje navojev. Nezadostna napajalna napetost.	Zamenjajte rezalne nastavke. Spodaj glejte morebitne vzroke. Uporabite primerno količino olja za rezanje navojev RIDGID. Preverite napajalno napetost.
Tanki navoji.	Nezadosten stik med ščetkami in komutatorjem. Ščetke se ne dotikajo komutatorja na pravilen način. Ščetke drugega proizvajalca. Nove ščetke.	Zategnite pokrove ščetk, da zagotovite, da so ščetke trdno pritisnjene v komutator. Zamenjajte obrabljene ščetke in/ali armaturo. Uporabljajte samo ščetke RIDGID. Ščetke utecite, tako da enoto pustite delovati po 15 minut naprej in vzvratno.
Rezalna glava ne začne rezati navoja.	Rezalna glava ni pravokotna na konec cevi. Sila pogona se ne prenaša pravilno na rezalno glavo. Konec cevi ni pravokotno odrezan. Topi ali polomljeni rezalni nastavki. Stroj teče v napačno smer. Rezalni nastavki so napačno vstavljeni v rezalno glavo.	Navoj začnite tako, da pritisnete ob pokrivno ploščo rezalne glave. Silo pogona dovedite na srednjico cevi. Konec cevi odrežite pravokotno. Zamenjajte rezalne nastavke. Obratovanje stroja v pravilni smeri. Poskrbite, da so rezalni nastavki pritisnjeni navzven ob naslone na pokrivni plošči.
Potrgani navoji.	Poškodovani, okrušeni ali obrabljeni rezalni nastavki. Slaba kakovost ali premalo olja za vrezovanje navojev. Napačna vrsta rezalnega nastavka za material. Slab material/kakovost cevi.	Zamenjajte rezalne nastavke. Uporabite samo olje za rezanje navojev RIDGID® v primerni količini. Izberite rezalne nastavke za velike hitrosti, nerjaveče jeklo ali zlitine, ki so ustrezni za vaš način uporabe. Uporabite cev višje kakovosti.
Neokrogli ali zmečkani navoji.	Stena cevi je pretanka.	Uporabite debelino cevi najmanj 40.
Med vrezovanjem navoja se vrtilna podporna naprava.	Čeljusti podporne roke so umazane. Podporna roka ni pravilno izravnana. Podporna roka ni zategnjena.	Očistite jih z žično ščetko. Podporno roko pravokotno izravnajte s cevjo. Zategnite podajalni vijak.
Tanki navoji.	Rezalni nastavki niso vstavljeni v ustreznem zaporedju.	Rezalne nastavke vstavite v ustrezno režo rezalne glave.

Električna nareznica

700



⚠ UPOZORENJE!

Pažljivo pročitajte uputstva pre korišćenja ovog alata. Nepoznavanje i nepridržavanje uputstava iz ovog priručnika može imati za posledicu strujni udar, požar i/ili teške telesne povrede.

Električna nareznica 700

Zapišite ispod serijski broj i sačuvajte serijski broj proizvoda koji se nalazi na natpisnoj pločici.

Serijski
br.

--	--

Sadržaj

Formular za zapisivanje serijskog broja uređaja	285
Sigurnosni simboli	287
Opšta sigurnosna upozorenja za električne alate	287
Sigurnost radnog područja.....	287
Zaštita od struje	287
Lična zaštita	288
Upotreba i Održavanje električnog alata.....	288
Servisiranje	288
Posebne informacije o bezbednosti	289
Bezbednost električne nareznice	289
Opis, tehnički podaci i standardna oprema	289
Opis.....	289
Tehnički podaci	290
Standardna oprema.....	290
Pregled pre upotrebe	290
Podешavanje i rad	291
Montiranje nareznih glava	292
Odupiranje silama pri narezivanju	292
Narezivanje	293
Provera navoja	294
Električna nareznica 700 - druge upotrebe	295
Uputstva za održavanje	295
Čišćenje.....	295
Podmazivanje	295
Zamena nareznica u nareznoj glavi 12-R.....	296
Zamena četkica u motoru	296
Opcionalna oprema	296
Skladištenje mašine	296
Servisiranje i popravke	297
Informacije u vezi ulja za narezivanje navoja	297
Odstranjivanje	297
Lociranje i uklanjanje kvarova	298
EC deklaracija o usaglašenosti	Na unutrašnjoj strani poledine korice
Garancija u toku radnog veka	Na poledini korice

*Prevod originalnog priručnika

Sigurnosni simboli

Sigurnosni simboli i reči upozorenja u ovom priručniku za rukovaoca i na proizvodu se koriste da bi nam ukazali na važne sigurnosne informacije. Ovo poglavlje je namenjeno boljem razumevanju tih signalnih reči i simbola.



Ovo je simbol sigurnosnog upozorenja. On se koristi da bi vas upozorio na potencijalne opasnosti povređivanja pri nesrećnim slučajevima. Da biste sprečili telesne povrede i smrtni ishod, pridržavajte se svih sigurnosnih poruka koje prate ovaj simbol.

⚠ OPASNOST

OPASNOST ukazuje na opasnu situaciju koja, ako se ne izbegne, može prouzrokovati teške telesne povrede ili smrt.

⚠ UPOZORENJE

UPOZORENJE označava opasnu situaciju koja, ako se ne izbegne, može prouzrokovati smrt ili teške telesne povrede.

⚠ PAŽNJA

PAŽNJA označava opasnu situaciju koja, ako se ne izbegne, može prouzrokovati lakše ili srednje teške telesne povrede.

NAPOMENA

NAPOMENA ukazuje na informacije koje se odnose na zaštitu imovine.



Ovaj znak vas upozorava da pre korišćenja opreme pažljivo pročitate priručnik za korisnika. Priručnik za korisnika sadrži važne informacije o sigurnosti i ispravnom radu opreme.



Ovaj simbol upozorava na obaveznu upotrebu zaštitne maske ili zaštitnih naočara sa bočnim štitnicima prilikom manipulacije ili korišćenja ove opreme, da bi se izbegla opasnost od povreda očiju.



Ovaj simbol ukazuje na rizik da se prsti, ruke, odeća i drugi objekti zahvate u zupčanike ili između zupčanika ili drugih rotirajućih delova i time prouzrokuju teške povrede.



Ovaj znak označava opasnost od električnog udara.



Ovaj simbol ukazuje na rizik od nakretanja mašine, koji može da prouzrokuje udar ili prelome.



Ovaj simbol znači da ne nosite rukavice dok radite sa mašinom da bi smanjili rizik od zaplitanja.



Ovaj simbol pokazuje da treba koristiti pomoćnu alatku koja služi za odupiranje silama narezivanja navoja, poboljšanje kontrole i smanjenje opasnosti povreda.

Opšta sigurnosna upozorenja za električne alate*

⚠ UPOZORENJE

Pročitajte i razumite sva uputstva. Nepridržavanje svih uputstava nabrojanih ispod može imati za posledicu električni udar, požar i/ili tešku povredu.

SAČUVAJTE SVA UPOZORENJA I UPUTSTVA ZA BUDUĆE KORIŠĆENJE!

Izraz "uređaj na struju" u upozorenjima se odnosi na uređaj koji je kablom priključen na električnu mrežu ili bežični uređaj koji radi na akumulatorske baterije.

Sigurnost radnog područja

- **Održavajte radno područje čistim i dobro osvetljenim.** Neuredna ili mračna područja su pogodna za nesreće.
- **Nemojte raditi sa električnim alatima u eksplozivnim atmosferama, kao što su one u kojima postoje zapaljive tečnosti, gasovi ili prašina.** Električni alati stvaraju varnice koje mogu zapaliti prašinu ili gasove.
- **Držite decu i posmatrača na udaljenosti u toku rada električnog alata.** Ometanje vam može odvratiti pažnju i dovesti do gubitka kontrole.

Zaštita od struje

- **Utikači električnih alata moraju biti prilagođeni utičnicama. Ni u kom slučaju nemojte prepravljati utikač. Sa uređajima na struju koji treba da su uzemljeni nemojte da koristite nikakve adaptere za utikač. Uzemljeni alati moraju biti utaknuti u propisno montiranu i uzemljenu utičnicu, u skladu sa svim zakonskim propisima i smernicama. Ni u kom slučaju nemojte uklanjati šiljak za uzemljenje ili prepravljati utikač. Ako sumnjate da neka utičnica nije propisno uzemljena, neka kvalifikovani električar to proveriti.** Neizmenjeni priključci i odgovarajuće utičnice će da smanje rizik od strujnog udara.
- **Izbegavajte telesni kontakt sa uzemljenim površinama, kao što su cevi, hladnjaci i rashladni uređaji.** Ako je vaše telo uzemljeno postoji povećana opasnost od električnog udara.
- **Nemojte da izlažete električne alate na kiši ili vlažnim uslovima.** Ukoliko uđe voda u električni alat povećava se rizik od električnog udara.
- **Čuvajte kabl od oštećenja. Gajtan nemojte nikada upotrebljavati za nošenje alata ili za izvlačenje utikača iz utičnice. Neka kabl bude daleko od izvora toplote, ulja, oštih ivica ili pokretnih delova.**

* Tekst korišćen u poglavlju Opšta sigurnosna upozorenja ovog priručnika je doslovno preuzet, koliko je to bilo potrebno, iz odgovarajućeg izdanja standarda UL/CSA 62841-1. Ovo poglavlje sadrži opšta sigurnosna pravila tehničke eksploatacije za nekoliko različitih tipova električnih alata. Svaka mera predostrožnosti nije primenljiva na svaki alat i samo neke se mogu primeniti na ovaj alat.

Replace damaged cords immediately. Oštećeni gajtani povećavaju opasnost od strujnog udara.

- **Kada sa električnim alatom radite izvan kuće, koristite produžni gajtan sa oznakom "W-A" ili "W" koji je pogodan za korišćenje na otvorenom.** Ovakvi gajtani su namenjeni za korišćenje na otvorenom i smanjuju rizik od strujnog udara.
- **Ako je rad sa električnim alatom na vlažnom mestu neizbežan, upotrebite napajanje sa zaštitom (GFCI - prekidač strujnog kola u slučaju greške uzemljenja).** Korišćenje GFSI smanjuje rizik od strujnog udara.

Lična zaštita

- **Budite u pripravnosti, koncentrišite se na svoj posao i oslanjajte se na zdrav razum pri radu sa električnim alatom. Nemojte upotrebljavati električne alate ako ste umorni ili ako ste konzumirali drogu, alkohol ili lekove.** Trenutak nepažnje pri korišćenju električnih alata može imati za posledicu tešku telesnu povredu.
- **Koristite opremu za ličnu zaštitu. Uvek nosite zaštitu za oči.** Oprema za ličnu zaštitu, kao na primer maska za zaštitu od prašine, neklizajuće zaštitne cipele, zaštitna kaciga ili štitnici za uši, koja se koristi za odgovarajuće uslove, smanjiće opasnost od povreda.
- **Sprečite slučajno pokretanje. Vodite računa da prekidač bude u isključenom položaju pre priključivanja na izvor napajanja i/ili na baterijski modul, pakovanja ili nošenja alata.** Ukoliko nosite uređaj na struju tako što vam je prst na prekidaču ili ako stavite pod napon uređaj na struju koji je uključen, izazvaćete nezgodu.
- **Uklonite sve ključeve za podešavanje ili francuski ključ pre nego što uključite uređaj na struju.** Francuski ključ ili ključ koji je ostavljen zakačen na deo uređaja na struju koji se okreće može da dovede do povrede.
- **Nemojte se nagnjati nad radne delove uređaja. Proverite da li stojite na čvrstoj podlozi i u svakom trenutku održavajte ravnotežu.** To omogućava bolju kontrolu nad električnim alatom u neočekivanim situacijama.
- **Oblačite se prikladno. Nemojte nositi neučvršćenu odeću ili nakit. Držite vašu kosu, odeću ili rukavice što dalje od pokretnih delova.** Odrešena odeća, nakit ili kosa može biti uhvaćena u pokretne delove.

- **Ako su uređaji predviđeni za povezivanje na postrojenja za izdvajanje i sakupljanje prašine, obezbedite da su priključeni i pravilno korišćeni.** Korišćenje jedinice za prikupljanje prašine može da smanji rizike koji su vezani za prašinu.

Upotreba i Održavanje električnog alata

- **Nemojte da silite električni alat. Upotrebljavajte odgovarajući električni alat za određenu namenu.** Pravilno izabran alat će završiti posao bolje i sigurnije za potrebnu namenu.
- **Ne koristite električni alat ako on ne može da se uključi i isključi prekidačem.** Svaki električni alat koji se ne može kontrolisati prekidačem je opasan i mora se opraviti.
- **Iskopčajte priključak sa izvora struje i/ili baterije sa električnog alata pre nego vršite bilo kakve izmene, promene radnog tela ili pre nego pakujete alat.** Ovakve preventivne bezbednosne mere smanjuju rizik da se alat na struju slučajno pokrene.
- **Odložite alat koji ne koristite van domašaja dece i nemojte da dozvolite osobama koje nisu upoznate sa električnim alatom ili ovim uputstvima da koriste alat.** Električni alati predstavljaju opasnost u rukama neobučanih korisnika.
- **Održavajte električne alate. Proverite da alat nije pogrešno namešten ili da nisu pogrešno spojeni pokretni delovi, da delovi nisu polomljeni kao i sve druge razloge koji mogu da utiču na rad električnog alata. Ukoliko je električni alat oštećen, zamenite ga pre upotrebe.** Mnoge nezgode su prouzrokovane lošim održavanjem električnog alata.
- **Održavajte rezne alate oštrim i čistim.** Pravilno održavani rezni alati sa oštrim reznim ivicama se ređe slepljuju i lakše ih je kontrolisati.
- **Upotrebljavajte električni alat, pribor i rezne pločice, itd. u skladu sa ovim uputstvima, uzimajući u obzir radne uslove i vrstu posla koji treba da se obavi.** Korišćenje električnog alata za rad drugačiji od onog za šta je namenjen može dovesti do opasnih situacija.

Servisiranje

- **Električni alat može popravljati samo kvalifikovano servisno osoblje koje upotrebljava identične rezervne delove.** To će omogućiti da se održi sigurnost električnog alata.

Posebne informacije o bezbednosti

⚠ UPOZORENJE

Ovo poglavlje sadrži važne sigurnosne informacije koje su specifične za ovaj alat.

Pažljivo pročitajte ove mere predostrožnosti pre upotrebe 700 električne nareznice da biste smanjili opasnost od strujnog udara, udara nagnječenja ili ozbiljnih povreda.

SAČUVAJTE SVA UPOZORENJA I UPUTSTVA ZA BUDUĆE KORIŠĆENJE!

Držite ovaj priručnik u blizini mašine da bi ga rukovalac mogao upotrebiti.

Bezbednost električne nareznice

- Sledite uputstva o ispravnoj upotrebi koja se nalaze na mašini. Pročitajte i shvatite uputstva i upozorenja za svu opremu i korišćeni materijal pre upotrebe električne nareznice. Nepridržavanje svih uputstava i upozorenja može dovesti do oštećenja imovine i/ili ozbiljne telesne povrede.
- Kada narezujete cev od 1" (25mm) ili veću, koristite pomoćnu alatku da biste se oduprli silama narezivanja navoja. Koristite odgovarajuću pomoćnu alatku u skladu sa ovim uputstvima. Pomoćna alatka poboljšava kontrolu i smanjuje opasnost od udaranja, nagnječenja i/ili drugih povreda.
- Kada ne koristite priloženu potpornu stegu već neku drugu pomoćnu alatku, ta pomoćna alatka mora da se oslanja na kućište motora. Pomoćne alatke koje dodiruju druge delove mogu da oštete stroj ili povećaju opasnost od povrede.
- Uvek čvrsto držite električnu nareznicu tokom narezivanja ili naslanjanja narezne glave na cev da biste se oduprli silama narezivanja navoja, bez obzira na to što koristite pomoćnu alatku. Time ćete smanjiti opasnost od udaranja, nagnječenja i drugih povreda.
- Nemojte koristiti električnu nareznicu ako je prekidač polomljen. Ovaj prekidač je bezbednosni uređaj koji vam omogućava da isključite motor puštanjem prekidača.
- Nemojte nositi rukavice ili neučvršćenu odeću kada radite sa mašinom. Rukavi i jakne treba da budu zakopčani. Ne previjajte se preko mašine ili cevi. Odeća može biti zahvaćena od strane cevi ili mašine prouzrokujući zaplitanje.

- Jedna osoba mora da kontroliše proces rada i funkcionisanje mašine. Samo rukovalac treba da se nalazi u radnom prostoru tokom rada mašine. Time se smanjuje opasnost od povređivanja.
- Ne upotrebljavajte tupe ili oštećene nareznice. Oštar rezni alat iziskuje manji obrtni momenat i električnu nareznicu je lakše kontrolisati.
- Održavajte ručke suvim i čistim; bez ulja i masti. Time se postiže bolja kontrola alata.
- Neka podovi budu suvi i da nemaju klizave materije kao što je ulje. Nezgode se dešavaju na klizavim podovima.
- Sa RIDGID 700 električnom nareznicom koristite isključivo RIDGID narezne glave. Druge narezne glave se možda neće dobro uklopiti u električnu nareznicu što će povećati opasnost od oštećenja opreme i povređivanja.
- Kada je koristite za drugu namenu od one opisane u ovom uputstvu koristite oslonac, kako bi se oduprli silama koje deluju na ručku. Pomoćna alatka poboljšava kontrolu i smanjuje opasnost od udaranja, nagnječenja i/ili drugih povreda.

Ako imate nekih pitanja u vezi sa ovim RIDGID® proizvodom:

- Obratite se lokalnom RIDGID® distributeru.
- Posetite www.RIDGID.com da biste pronašli lokalno RIDGID kontaktno mesto.
- Kontaktirajte Ridge Tool Odelenje tehničke usluge na rtctechservices@emerson.com ili u Sjedinjenim Državama i Kanadi pozovite (800) 519-3456.

Opis, tehnički podaci i standardna oprema

Opis

Električna nareznica marke RIDGID®, model 700 služi za narezivanje cevi i cevni vodova. Povratnim prekidačem možete izabrati rotiranje unapred ili unazad.

Električna nareznica konstruisana je tako da koristi upuštene narezne glave RIDGID 12-R (cev od 1/8" – 2"). Druge RIDGID narezne glave kao što su OO-R i 11-R se mogu koristiti uz adapter.

Kada narezujete cev od 1" ili veću, koristite pomoćnu alatku br. Neophodna je potporna stega 775 ili teški ključ za cevi RIDGID 14" kako bi se oduprli silama pri narezivanju.

Električna nareznica se takođe može koristiti kao pogon sekača cevi RIDGID 258 i za druge namene, (pogledajte "Druge namene").



Slika 1 – Električna nareznica model 700

Tehnički podaci

Kapacitet narezivanja	Cevi 1/8" do 2" (3 do 50 mm) Zavrtnji 1/4" do 1" (6 do 25 mm) s nareznom glavom 00-RB		
Motor:			
Tip	Univerzalni, sa pogonom unazad		
Volti	110	120	220-240
Amperi	13,5	13,5	6,5
Frekvencija	50/60 Hz	50/60 Hz	50/60 Hz
Snaga	1500	1500	1500
Radna brzina	26-30 RPM, bez opterećenja		
Komande	Dvosmerni povratni prekidač sa povratnom oprugom za poziciju OFF (isključeno)		
Glava zupčanika	Liveni aluminijum, cilindrični zupčanik redukcije, čeonu zupčanik pogona, oprugom nategnuti zapinjači adaptera, vretenasti zupčanik od kaljenog čelika		
Dimenzije:			
Duljina	28 1/4" (717 mm)		
Širina	6 1/16" (154 mm)		
Visina	7 13/16" (198 mm)		
Težina	25 lbs. (11 kg)		
Zvučni pritisak (L _{PA})**	98,4 dB(A), K=3		
Snaga zvuka (L _{WA})**	107 dB(A), K=3		
Vibracije**	2,5 m/s ² , K=1,5		

* Za informacije o motoru za vaš stroj pogledajte pločicu sa serijskim brojem stroja - dostupne su druge verzije.

** Merenje zvuka i vibracija je izvršeno u skladu sa standardizovanim testovima po standardu EN 62481-1.

- Nivoi vibracija se mogu koristiti za poređenje sa drugim alatima i za preliminarnu procenu izloženosti.

- Emisija zvuka i vibracija može varirati usled lokacije i konkretne upotrebe ovih alata.

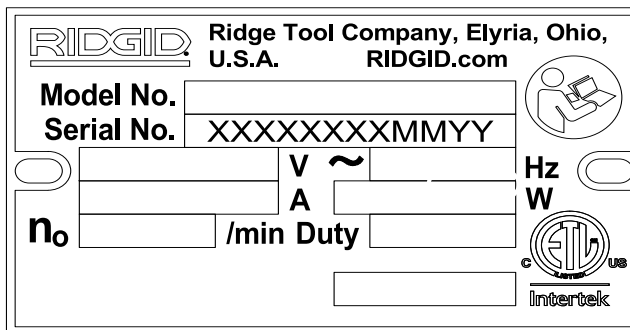
- Nivo dnevne izloženosti na zvuk i vibracije se mora proceniti za svaku pojedinačnu primenu i ako je potrebno, moraju se preduzeti prikladne sigurnosne mere. Procena nivoa izloženosti mora uzeti u obzir vreme kada je alat isključen i nije u upotrebi. Ovo može značajno umanjiti nivo izloženosti u toku ukupnog radnog perioda.

Standardna oprema

Uz model 700 električne nareznice isporučuje se sledeće:

- Električna nareznica 700
- Torziona poluga
- Uređaj za oslanjanje
- Priručnik za korisnike

Pločica sa serijskim brojem mašine kod električne nareznice 700 nalazi se na donjem delu kućišta motora. Poslednje 4 cifre označavaju mesec i godinu proizvodnje. (12 = mesec, 15 = godina).



Slika 2 – Serijski broj mašine

NAPOMENA Izbor odgovarajućih materijala i metode montaže, spajanja i oblikovanja je odgovornost sistem inženjera i/ili montažera. Izbor neodgovarajućih materijala i metoda može prouzrokovati sistemsku grešku.

Nerđajući čelik i drugi materijali otporni na koroziju se mogu kontaminirati u toku montaže, spajanja i oblikovanja. Ova kontaminacija može da dovede do korozije i preranog kvara. Pažljiva procena materijala i metoda za specifične servisne uslove, uključujući hemikalije i temperaturu, treba da se obavi pre nego što se pokuša montaža.

Pregled pre upotrebe

⚠ UPOZORENJE

Pre svake upotrebe pregledajte električnu nareznicu 700 i otklonite sve probleme da biste smanjili opasnost od povređivanja strujnim udarom, nagnječenjem ili na druge načine, i da biste onemogućili oštećivanje električne nareznice.

1. Prekinite napajanje električne nareznice.
2. Potpuno očistite ulje, mazivo ili prljavštinu sa električne nareznice i pomoćne alatke, sa drški i kontrola. Ovo olakšava pregled i pomaže u zaštiti mašine ili komandi od klizanja u vašim rukama.
3. Proverite na električnoj nareznici sledeće:
 - Da li su kabl ili utikač oštećeni ili modifikovani.
 - Da li je sve ispravno sastavljeno, održavano i kompletno.
 - Da li ima oštećenih, pogrešno nameštenih ili zakočenih delova.
 - Pravilan rad prekidača. Proverite da li je u dobrom stanju, da li lako menja stanje i ne zaglavljuje.
 - Da li postoje nalepnice sa upozorenjem i da li su čitljive (Slika 3).
 - Bilo koje drugo stanje koje može uticati na bezbednost i sprečiti normalan rad.

Ako ustanovite bilo koji od ovih problema, nemojte da koristite električnu nareznicu ili pomoćnu alatku dok se problemi ne otklone.

4. Proverite potpurnu stegu. Da li su zupci potporne stege čisti i u dobrom stanju. Zupci se mogu očistiti žičanom četkom.
5. Proverite da li su rezne ivice nareznice pohabane, deformisane, da li na njima ima strugotina ili drugih problema. Tup ili oštećen rezni alat povećava veličinu potrebne sile, proizvodi loš kvalitet nareza i povećava rizik od povreda.
6. Proverite svaku drugu opremu i izvršite njeno održavanje u skladu sa uputstvima kako biste bili sigurni da će raditi ispravno.
7. Sledeći uputstva za podešavanje i rad proverite da li električna nareznica funkcioniše ispravno.
 - Pritisnite i otpustite prekidač za rotaciju UNAPRED i ponovite to za rotaciju UNAZAD kako je prikazano na slici 3. Proverite da li električna nareznica rotira kako je prikazano na slici 3 i da li prekidač kontroliše rad mašine.

Ostavite električnu nareznicu da se potpuno zaustavi pre nego što promenite smer okretanja pomoću prekidača. Time ćete smanjiti opasnost od oštećivanja električne nareznice.

- Pritisnite i zadržite prekidač. Proverite pokretne delove da nisu pogrešno poređani, ili pogrešno ukopčani, da nema čudnih zvukova ili nekog drugog neobičnog stanja. Otpustite prekidač.

Ako mašina ne radi ispravno ili otkrijete bilo kakvo neobično stanje, nemojte da koristite mašinu dok se ne popravi.



Slika 3 – Pozicija prekidača za smer rotacije

8. Pustite prekidač i suvim rukama isključite mašinu iz struje.

Podešavanje i rad

⚠ UPOZORENJE



Podesite električnu nareznicu 700 i koristite je u skladu sa ovim procedurama da biste smanjili opasnost od povređivanja usled strujnog udara, upetljavanja, udaranja, nagnječenja i drugih uzroka, i da ne bi došlo do oštećenja same električne nareznice.

Kada narezujete cev od 1" (25 mm) ili veću, koristite pomoćnu alatku da biste se oduprli silama narezivanja navoja. Koristite odgovarajuću pomoćnu alatku u skladu sa ovim uputstvima. Pomoćna alatka poboljšava kontrolu i smanjuje opasnost od udaranja, nagnječenja i/ili drugih povreda.

Uvek čvrsto držite električnu nareznicu tokom narezivanja ili naslanjanja narezne glave na cev da biste se oduprli silama narezivanja navoja, bez obzira na to što koristite pomoćnu alatku. Time ćete smanjiti opasnost od udaranja, nagnječenja i drugih povreda.

Poduprite cev na odgovarajući način. Time ćete smanjiti opasnost od pada cevi, zakretanja i ozbiljnog povređivanja.

Nemojte koristiti električnu nareznicu bez ispravnog prekidača.

Nemojte nositi rukavice ili neučvršćenu odeću kada radite sa mašinom. Rukavi i jakne treba da budu ukopčani. Ne previjajte se preko mašine ili cevi. Odeća može biti zahvaćena od strane cevi ili mašine prouzrokujući zaplitanje.

Jedna osoba mora da kontroliše radni proces i prekidač. Nemojte da radite sa više od jednom osobom. U slučaju nezgode radnik na mašini mora da ima kontrolu nad prekidačem.

- U radnom području proverite sledeće:
 - Odgovarajuće osvetljenje.
 - Da nema zapaljivih tečnosti, isparenja ili prašine koja može da se zapali. Ako otkrijete nešto od navedenog, nemojte raditi u tom području sve dok ne prepoznate i uklonite problem. Električne nareznice nisu otporne na eksploziju i mogu stvarati varnice.
 - Očistite, poravnajte, stabilizujte, osušite mesto za svu opremu i za operatera.
 - Dobra ventilacija. Nemojte koristiti prekomerno u malim i zatvorenim prostorijama.
 - Propisno instalirana električna utičnica odgovarajućeg napona. Ukoliko niste sigurni, neka ovlašćeni električar proveriti utičnicu.
 - Oslobodite prostor za električnu utičnicu, koji ne sadrži moguće izvore oštećenja kabla za napajanje.
- Proverite cev koju treba narezati kao i prateću armaturu, i uverite se da je električna nareznica 700 odgovarajući alat za posao. *Pogledajte specifikacije.*

Opremu za druge namene možete pronaći u katalogu kompanije Ridge Tool, onlajn na RIDGID.com ili ako pozovete Odeljenje za tehničke usluge kompanije Ridge Tool u SAD i Kanadi na (800) 519-3456.
- Postarajte se da oprema koja će se koristiti bude odgovarajuće pregledana.
- Pripremite cev na odgovarajući način. Cev treba seći pod pravim uglom i treba je očistiti. Cev presečena pod uglom može da ošteti nareznice tokom narezivanja ili može otežati puštanje u rad narezne glave.
- Postarajte se da cev na koju će se narezati navoj bude stabilna i pričvršćena da ne bi došlo do njenog okretanja tokom upotrebe. Koristite odgovarajuće stalke kojima ćete podupreti dužinu cevi.
- Proverite nivo RIDGID ulja za narezivanje navoja u podmazivaču RIDGID 418. Uklonite posudu za opiljke i proverite da li je sito filtera čisto i potpuno potopljeno u ulju. Zamenite ili dodajte ulje ako je potrebno. Kofu podmazivača 418 stavite ispod kraja cevi na kojem će biti narezan navoj.

Montiranje narezni glava

- Električnu nareznicu iskopčajte iz utičnice.
- Gurnite prvo ožljebljeni kraj narezne glave 12-R ili adapter (*pogledajte Opciona oprema*), pod pravim uglom u električnu nareznicu dok oprugom nategnuti zapinjači čvrsto ne zahvate žljeb (*Slika 4*). Narezna glava ili adapter može biti umetnut sa bilo koje strane električne nareznice. U nekim slučajevima, narezne glave/adaptori se moraju zaokrenuti kako bi omogućili zapinjač da ih zahvati. Narezne glave se u adaptore 770 i 773 moraju postaviti pre umetanja u električnu nareznicu.
- Da biste uklonili nareznu glavu, izvucite je ravno iz električne nareznice. Ako je potrebno, koristite čekić s mekom glavom ili komad drveta da biste izgurali napolje nareznu glavu. Nemojte udarati direktno u nareznu glavu jer je time možete oštetiti.



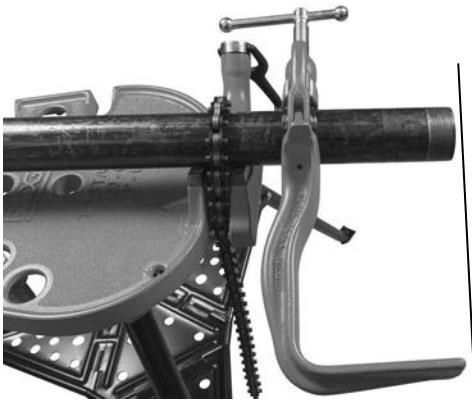
Slika 4 – Stavljanje narezne glave u električnu nareznicu 700

Odupiranje silama pri narezivanju (Pomoćne alatke)

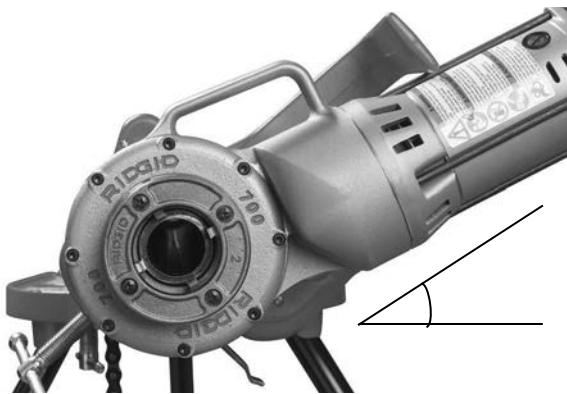
Da bi napravila desni navoj, narezna glava će se okretati u smeru kazaljke na satu (gledano u prednji deo narezne glave). Sile koje stvara obrtni momenat narezivanja delovaće obrnuto ili u smeru suprotnom od kazaljke na satu. Rotacija i sila biće obrnute prilikom narezivanja levog navoja. Postarajte se da pomoćna alatka bude ispravno postavljena da bi mogla da apsorbuje sile narezivanja navoja.

Korišćenje potporne stege br. 775

- Spona potporne stege se može montirati sa obe strane. Čvrsto pritegnite zavrtnaj šarke.
- Potpornu stegu tako postavite na cev da kraj potporne stege bude u ravni s krajem cevi, a da električna nareznica 700 bude malo iznad horizontalnog položaja (*Slike 5 i 6*). Time se potporna stega postavlja u odgovarajući položaj za narezivanje i onemogućava se da ulje za narezivanje cedi niz električnu nareznicu.
- Čeljusti potporne stege postavite pod pravim uglom u odnosu na cev i zatim čvrsto zategnite potpornu stegu.



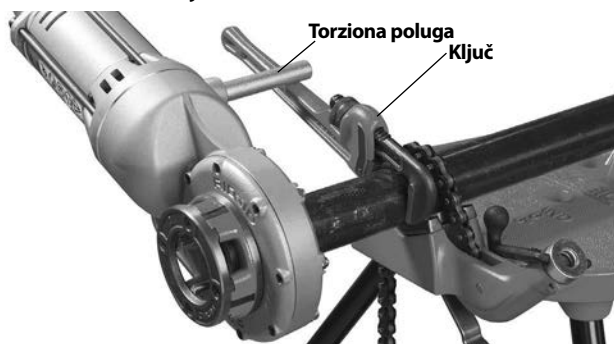
Slika 5 – Potporna stega poravnata sa krajem cevi



Slika 6 – Potporna stega postavljena sa električnom nareznicom 700 malo iznad horizontalnog položaja

Upotrebom teških ključeva za cevi RIDGID 12", 14" ili 18":

1. U kućište ventilatora električne nareznice 700, čvrsto postavite torzionu polugu. Takođe se može koristiti parče čelične cevi veličine 80, od ½", dužine A 5" (127 mm), sa NPT navojem od ½".
2. Postavite teški ključ za cevi RIDGID 12", 14" ili 18" približno 7" (175 mm) od kraja cevi (pogledajte sliku 7). Proverite da li je ključ učvršćen i neće pasti ili se pomeriti.
3. Kada započnete narezivanje navoja, torziona poluga će ležati na ručki ključa za cevi.



Slika 7 – Narezivanje navoja korišćenjem ključa za cevi kao potporne stega

Drugi načini podupiranja:

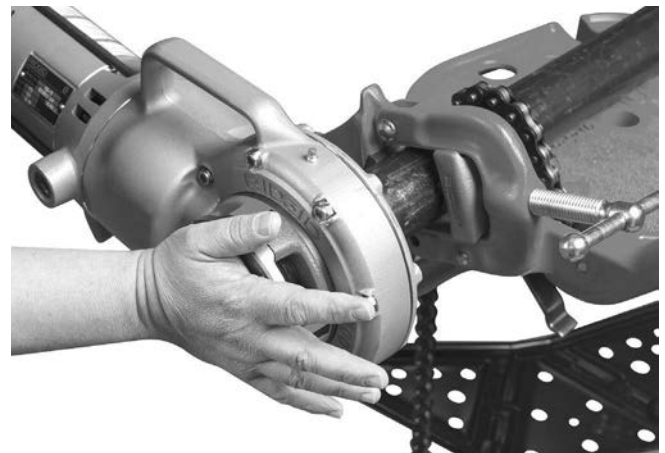
Postavite kućište motora električne nareznice (pogledajte sliku 1) naspram obližnjeg strukturnog elementa (primer može biti zid, stub, poprečna greda). Za to je neophodno da cev koja se narezuje i njena okolina mogu da izdrže težinu alata i sile narezivanja navoja. Može biti neophodno da se dodaju privremeni ili trajni podupirači cevi ili strukturni elementi za pravilno odupiranje silama narezivanja navoja.

Za cev prečnika ¾" i manje:

Cev čija nominalna dimenzija iznosi ¾" ili manje može se narezati bez korišćenja pomoćne alatke. U tom slučaju sam rukovalac se odupire silama narezivanja navoja. Cev se mora odgovarajuće učvrstiti da ne bi došlo do njenog okretanja. Uvek čvrsto držite električnu nareznicu tokom narezivanja ili naslanjanja narezne glave na cev da biste se oduprli silama. Time ćete smanjiti opasnost od udaranja, nagnječenja i drugih povreda.

Narezivanje

1. Suvim rukama uključite u struju električnu nareznicu.
2. Stavite nareznu glavu preko kraja cevi i poduprite električnu nareznicu kako je opisano u poglavlju o odupiranju silama narezivanja navoja. Električnu nareznicu uvek držite naspram potpornog sredstva. Nemojte ništa postavljati između električne nareznice i potpornog sredstva – ovo povećava rizik od povreda usled priklještenja i nagnječenja.
3. Zauzmite pravilan radni položaj kako bi održavali kontrolu mašine i cevi (pogledajte sliku 9).
 - Budite sigurni da imate dobru ravnotežu i ne morate da se suviše istežete.
 - Uverite se da možete kontrolisati prekidač i mašinu. Nemojte još pritiskati prekidač. U slučaju nezgode morate da imate mogućnost otpuštanja prekidača.



Slika 8 – Početak narezivanja

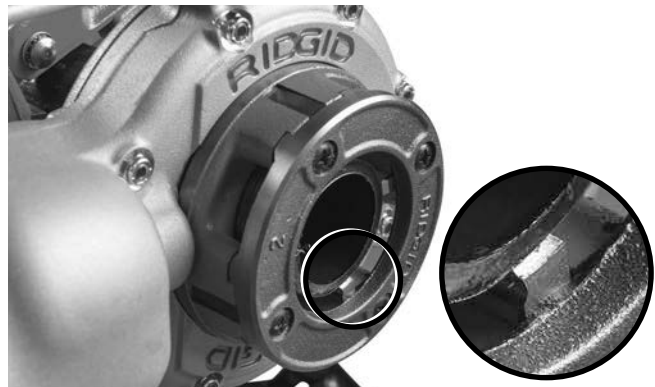
4. Istovremeno aktivirajte prekidač (pogledajte sliku 3) i dlanom slobodne ruke pritisnite poklopac narezne glave da biste počeli s narezivanjem (slika 8). Dok gurate poklopac nemojte da nosite rukavice ili nakit i nemojte da koristite krpu jer se time povećava opasnost od upetljavanja i povređivanja. Kada nareznica dotakne cev, navoji će početi da se narezuju dok se nareznica bude navlačila na kraj cevi.

Uvek čvrsto držite ručku električne nareznice da biste se oduprli silama koje deluju na ručku. Pomoćne alatke mogu da kliznu i omoguće električnoj nareznici da se pomeri. Prekidač može biti pušten bilo kada da bi se ISKLJUČILA električna nareznica.



Slika 9 – Narezivanje cevi

5. Prestanite da pritiskate poklopac i podmazivačem nanesite veliku količinu RIDGID ulja za narezivanje navoja na područje koje se narezuje. Time će se smanjiti obrtni moment narezivanja, poboljšati kvalitet navoja i produžiti radni vek nareznice.
6. Pritisnite i držite prekidač sve dok se kraj cevi ne poravnava sa ivicom nareznice (slika 10). Pazite da električna nareznica ne udari u potporno sredstvo. Otpustite prekidač. Ostavite električnu nareznicu da se potpuno zaustavi.

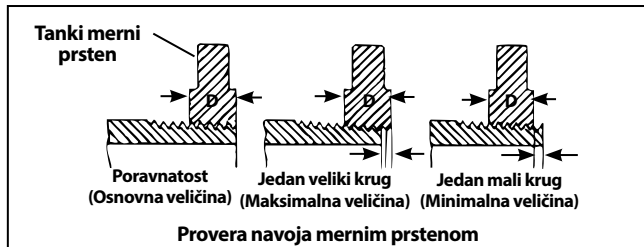


Slika 10 – Cev poravnata sa ivicom nareznice

7. Kako biste narezu glavu uklonili sa narezane cevi prekidačem aktivirajte kretanje u suprotnu stranu. Čvrsto držite ručku električne nareznice da biste se oduprli silama koje deluju na ručku usled narezivanja, a koje nastaju tokom skidanja narezne glave.
8. Pustite prekidač i sa cevi skinite električnu nareznicu i narezu glavu.
9. Suvim rukama isključite iz struje električnu nareznicu.
10. Obrisite ulje i opiljke sa navoja i narezne glave, pazeći pri tome da se ne posećete na oštre opiljke ili ivice. Iz radnog prostora obrišite prosuto ulje.

Provera navoja

1. Sa navoja uklonite ulje, opiljke ili ostatke.
2. Vizuelno proverite navoj. Navoji treba da budu glatki i kompletni, i treba da imaju dobar oblik. Ako primetite prekide na navoju, da su navoji tanki ili da je cev donekle izgubila okrugli oblik, navoj možda neće moći dobro da zaptiva. Pogledajte "Rešavanje problema" radi pomoći u određivanju ovih pitanja.
3. Proverite veličinu navoja. Najbolja metoda za proveru veličine navoja je pomoću mernog prstena. Postoje razne vrste mernih prstenova i njihova upotreba se može razlikovati od onoga što je prikazano na slici 11.
 - Čvrsto zategnite merni prsten na navoj.
 - Pogledajte koliko se kraj cevi proteže kroz merni prsten. Kraj cevi treba da bude u istoj ravni sa mernim prstenom, plus ili minus jedan krug. Ako merni prsten pokaže da navoj nije dobar, isecite ga, podesite narezu glavu i narežite novi navoj. Korišćenje neadekvatnog navoja može dovesti do curenja.



Slika 11 – Provera veličine navoja

- Ako nemate merni prsten kojim biste proverili veličinu navoja, možete da iskoristite novi, čisti priključak kakav inače treba staviti na navoj i time izmeriti njegovu veličinu. Kod NPT navoja veličine 2" i manje, treba ih iseći tako da se čvrsta veza između cevi i armature dobije kada se armatura okrene za 4 do 5 krugova, dok kod BSPT navoja veličine 2" i manje čvrstu vezu treba dobiti nakon 3 kruga.

Električna nareznica 700 - druge upotrebe

Ovo uputstvo sadrži konkretne instrukcije za upotrebu električne nareznice 700 za narezivanje navoja različitim RIDGID nareznim glavama. Kada se koristi uz drugu RIDGID opremu (kao što je električni sekač cevi RIDGID 258/258 XL) pratite uputstva i upozorenja u vezi pravilnog podešavanja i upotrebe, dobijena uz tu RIDGID opremu.

Ridge Tool ne može pružiti konkretne instrukcije za svaku moguću upotrebu električne nareznice 700. Korisnik mora proceniti konkretan radni scenario i koristiti dobru radnu praksu i metode. Ako postoji bilo kakva nedoumica u vezi upotrebe električne nareznice 700 za ove druge namene, nemojte je koristiti.

Ako koristite električnu nareznicu 700 za druge namene, pažljivo procenite i pripremite posao, koristeći opšte smernice ispod. Električna nareznica 700 će proizvesti visok obrtni moment i posledično visoke sile delovanja na ručku, koje mogu izazvati povrede usled udara i nagnječenja.

- Adapter sa četvrtastim vrhom RIDGID 774 se može koristiti da prilagodi električnu nareznicu 700 za obrtanje muškog četvrtastog priključka od 1/4". Čvrsto prikačite adapter kako bi ga sprečili da se odvoji u toku upotrebe.
- Mora se razviti prikladan metod kako bi se izdržale sile koje deluju na ručku (pogledajte poglavlje "Odupiranje silama na ručki"). Sile mogu preći 1000 lbs (455 kg). Naspram kućišta motora ili kućišta ventilatora električne nareznice 700 mogu se postaviti pomoćne alatke (slika 1).

- Električnu nareznicu uvek držite naspram pomoćne alatke – nemojte postavljati delove tela između električne nareznice i pomoćne alatke.
- Tokom upotrebe ne sme biti relativnog pomeranja između električne nareznice i pomoćne alatke.
- Potvrdite da tokom primene (kao što je rad sa ventilom ili provera ventila) postoji mogućnost slobodnog okretanja, nema zaglavlivanja i da su granice kretanja poznate. Ako sistem očvrsne u toku upotrebe, sile koje deluju na ručku će se naglo značajno povećati ili će doći do okretanja električne nareznice.
- Ako se koristi za proveru ili rad sa ventilima i drugom opremom, pratite sva uputstva proizvođača opreme. Nemojte preopteretiti opremu.
- Koristite takvu kod koje sila reakcije električne nareznice 700, nju udaljava od korisnika.
- Otpustite dugme prekidača bilo kad, kako biste isključili električnu nareznicu. Proverite da li ste u mogućnosti da otpustite dugme prekidača.

Uputstva za održavanje

⚠ UPOZORENJE

Proverite da li je prekidač pušten i da li je mašina isključena iz struje pre nego što počnete sa održavanjem ili podešavanjem.

Održavajte alat u skladu sa ovim procedurama da biste smanjili opasnost od povređivanja usled strujnog udara, upetljavanja i drugih uzroka.

Čišćenje

1. Nakon svake upotrebe iz posude za opiljke podmazivača 418 ispraznite opiljke nastale narezivanjem i obrišite sve ostatke ulja.
2. Obrišite sve ostatke ulja, maziva, opiljke ili prljavštinu sa električne nareznice, drški i kontrola.
3. Obrišite sve ostatke ulja, maziva ili prljavštinu sa potporne stege. Ako je potrebno žičanom četkom očistite čeljusti potporne stege.
4. Uklonite opiljke i prljavštinu sa narezne glave.

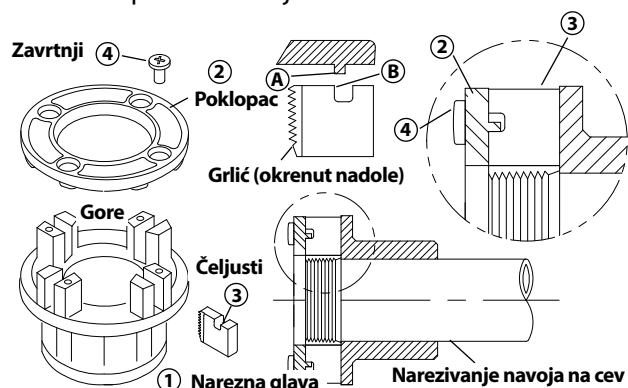
Podmazivanje

Pomoću pištolja za podmazivanje dodajte litijumsku EP (ekstremni pritisak) mast kroz cevčice za mast na na kućištu zupčanika (pogledajte sliku 1) svakih 3 do 6 meseci, u zavisnosti od korišćenja mašine.

Zamena nareznica u nareznoj glavi 12-R

U nareznu glavu RIDGID 12-R moguće je montirati razne vrste nareznica. Pogledajte katalog.

1. Uklonite četiri zavrtnja (4), poklopac (2) i nareznice (3) iz narezne glave.
2. Umetnite nove nareznice u žljebove tako da ivica s brojevima (1,2,3,4) bude okrenuta nagore. Brojevi na nareznicama moraju se poklapati s brojevima na žljebovima narezne glave. Nareznice uvek menjajte u kompletu.
3. Postavite poklopac (2) i zavrtnje (4) i blago zategnite zavrtnje.
4. Zavijte kraj cevi sa navojem, u nareznicu, dok ne počne da urezuje navoj. Ove sile deluju na nareznice "B" zatim na rukavce "A" na poklopcu i podešavaju odgovarajuću veličinu.
5. Čvrsto zategnite četiri zavrtnja. Uklonite cev s navojem i izvršite probno sečenje.



Slika 12 – Stavljanje nareznica u nareznu glavu

Zamena četkica u motoru

Četkice motora proveravajte svakih 6 meseci. Zamenite ih kada se istroše na manje od 1/4" (6 mm).



Slika 13 – Stavljanje četkice

1. Isključite mašinu iz struje.
2. Odvijte kapice četkica. Izvadite i proverite četkice. Zamenite ih kada se istroše na manje od 1/4" (6 mm). Proverite kolektor na habanje. U slučaju prekomernog habanja, odnesite alat na servis.
3. Vratite četkice/postavite nove četkice.
4. Pustite uređaj da 15 minuta radi na prazno unapred i da posle toga radi 15 minuta u suprotnom smeru da bi nove četkice pre upotrebe dobro nalegle na komutator.

Opcionalna oprema

⚠ UPOZORENJE

Da biste smanjili opasnost od ozbiljnog povređivanja koristite isključivo opremu koja je posebno konstruisana i predviđena za model električne nareznice 700, poput onih koji su navedeni u daljem tekstu.

Kataloški br.	Opis
42600	770 adapter za 00-R (1/8" – 1") i 00-RB (1/4" – 1")
42605	771 adapter za 0-R (1/8" – 1")
42610	772 adapter za 11-R (1/8" – 1 1/4")
42615	773 adapter za 111-R (1/8" – 1 1/4")
42620	Adapter sa četvrtastim vrhom 774 – 1 5/16"
42625	775 Potporna stega
46615	Torziona poluga
42950	Metalna prenosna kutija B-171-X
10883	Mazalica 418, 1 galon premijum ulja za narezivanje navoja
41620	Mast za zupčaste prenosnike

Dodatne informacije o opremi dostupnoj za električnu nareznicu 700 predviđenoj za ovaj alat mogu se naći u RIDGID katalogu i onlajn na RIDGID.com.

Skladištenje mašine

⚠ UPOZORENJE Električna nareznica 700 se mora držati u zatvorenom prostoru ili moraju biti dobro pokrivena po kišnom vremenu. Skladištite ovu mašinu u zaključanom prostoru izvan domašaja dece i osoba koje nisu upoznate sa mašinama. U rukama korisnika koji nisu obučeni mašina može prouzrokovati teške povrede.

Servisiranje i popravke

⚠ UPOZORENJE

Neodgovarajuće servisiranje ili popravak može učiniti mašinu opasnom za rad.

Uputstva za održavanje će se pobrinuti za najčešće servisne potrebe ove mašine. Sve probleme koji nisu navedeni u ovom poglavlju treba da otkloni ovlašćeni servisni tehničar firme RIDGID.

Alat treba da odnesete u nezavisni ovlašćeni servisni centar RIDGID ili da ga vratite proizvođaču. Koristite isključivo RIDGID servisne delove.

Za dodatne informacije o vama najbližem ovlašćenom RIDGID servisnom centru ili pitanjima u vezi popravke ili servisa:

- Obratite se svom lokalnom RIDGID distributeru.
- Posetite www.RIDGID.com da biste pronašli lokalno RIDGID kontaktno mesto.
- Kontaktirajte Odeljenje za tehničke usluge kompanije Ridge Tool na rtctechservices@emerson.com ili ako ste u SAD ili Kanadi pozovite (800) 519-3456.

Informacije u vezi ulja za narezivanje navoja

Pročitajte i sledite sva uputstva na etiketi i bezbednosnom listu (SDS) ulja za narezivanje navoja. Pakovanje i SDS sadrže posebne informacije u vezi RIDGID ulja za narezivanje navoja, uključujući identifikaciju rizika, prvu pomoć, gašenje požara, mere u slučaju ispuštanja, rukovanje i čuvanje, ličnu zaštitnu opremu, odlaganje i transport. SDS možete pronaći na RIDGID.com ili ga dobiti ako kontaktirate Odeljenje za tehničke usluge kompanije Ridge Tool na (800) 519-3456 ako ste u SAD ili Kanadi, ili na rtctechservices@emerson.com.

Odstranjivanje

Delovi električne nareznice 700 sadrže vredne materijale koji se mogu reciklirati. Pronađite lokalne firme koje se bave reciklažom. Odstranite sastavne delove u skladu sa svim primenjivim zakonskim propisima. Kontaktirajte lokalnu instituciju za upravljanje otpadom za više informacija.



Za EUdržave: Ne bacajte električnu opremu sa otpadom iz domaćinstva!

U skladu sa Evropskom smernicom 2012/19/EU o električnoj i elektronskoj opremi koja predstavlja otpad i njenoj primeni u lokalnom zakonodavstvu, električnu opremu koju više ne možete upotrebiti morate odvojeno sakupljati i odlagati na odgovarajući, ekološki način.

Lociranje i uklanjanje kvarova

PROBLEM	MOGUĆI RAZLOZI	REŠENJE
Mašina na radi.	Četkice ne dodiruju armaturu.	Proverite četkice, zamenite ih ako su istrošene.
Mašina ne može da nareže navoj.	Tupe nareznice. Preopterećenje zbog pohabanih navoja ili navoja nepravilnog oblika. Loš kvalitet ili nedovoljna količina ulja za narezivanje navoja. Nedovoljan napon u mreži.	Zamenite nareznice. Moguće uzroke vidite ispod. Koristite odgovarajuću količinu RIDGID ulja za narezivanje navoja. Proverite snabdevanje naponom.
Tanki navoji.	Nedovoljan kontakt između četkica i komutatora. Četkice ne dodiruju komutator kako treba. Četkice drugog proizvođača. Nove četkice.	Zategnite kapice četkica da biste bili sigurni da četkice čvrsto naležu na komutator. Zamenite istrošene četkice i/ili armaturu. Koristite isključivo RIDGID četkice. Omogućite četkicama da dobro nalegnu uključivanjem uređaja da radi na prazno 15 minuta unapred i unazad.
Narezna glava ne počinje s narezivanjem.	Narezna glava ne naleže pod pravim uglom na kraj cevi. Sila zahvata nije ispravno primenjena na nareznju glavu. Kraj cevi nije isečen pod pravim uglom. Tupe ili polomljene nareznice. Mašina radi u pogrešnom smeru. Nareznice nisu dobro postavljene u nareznoj glavi.	Pritisnite poklopac narezne glave da počela s narezivanjem. Primenite silu zahvata kroz centralnu liniju cevi. Isecite kraj cevi pod pravim uglom. Zamenite nareznice. Pokrenite mašinu u pravom smeru. Proverite da li su nareznice navoja okrenute prema napolje ka rukavcima poklopa.
Pokidani navoji.	Oštećene, sastrugane ili istrošene nareznice. Neodgovarajuće ulje ili nedovoljna količina ulja za narezivanje navoja. Pogrešna vrsta nareznice za dati materijal. Loš materijal/kvalitet cevi.	Zamenite nareznice. Koristite isključivo RIDGID® ulje za narezivanje navoja u odgovarajućoj količini. Izaberite nareznice od nerđajućeg čelika za velike brzine ili nareznice od legure koje odgovaraju predviđenoj nameni. Koristite kvalitetnije cevi.
Navoji nepravilnog oblika ili iskrzani navoji.	Zid cevi je suviše tanak.	Koristite cevi čija je debljina zida 40 ili veća.
Pomoćna alatka se okreće tokom narezivanja.	Čeljusti potporne stega su isprljane. Potporna stega nije dobro podešena. Potporna stega nije zategnuta.	Očistite žičanom četkom. Podesite potpornu stegu tako da bude pod pravim uglom u odnosu na cev. Zategnite zavrtanj za pomeranje.
Tanki navoji.	Nareznice nisu postavljene ispravnim redosledom.	Stavite nareznice u odgovarajuće žljebove u nareznoj glavi.

Силовой привод

700



⚠ ВНИМАНИЕ!

Прежде чем пользоваться инструментом, внимательно прочитайте данное Руководство по эксплуатации. Непонимание и несоблюдение содержания данного руководства может привести к поражению электрическим током, пожару и/или серьезной травме.

Силовой привод 700

Запишите ниже серийный номер и сохраните серийный номер, указанный на фирменной табличке.

Серийный
№

--	--

Содержание

Бланк для записи серийного номера станка	299
Знаки безопасности	301
Основные предупреждения по безопасному использованию электроинструмента	301
Безопасность в рабочей зоне.....	301
Электробезопасность.....	301
Личная безопасность.....	302
Использование электроинструмента и уход за ним.....	302
Обслуживание	303
Информация по технике безопасности при работе с данным инструментом	303
Техника безопасности при использовании силового привода.....	303
Описание, технические характеристики и стандартное оборудование	304
Описание.....	304
Технические характеристики.....	304
Стандартные принадлежности	305
Предэксплуатационный осмотр	305
Подготовка к работе и эксплуатация инструмента	306
Установка резьбонарезных головок	307
Противодействие силам резьбонарезания	307
Нарезание резьбы	308
Проверка резьбы	310
Силовой привод модели 700 – иные применения	310
Инструкция по техническому обслуживанию	311
Чистка	311
Смазка.....	311
Замена гребенок в резьбонарезных головках 12-R.....	311
Замена щеток в электродвигателе	312
Дополнительные принадлежности	312
Хранение инструмента	312
Обслуживание и ремонт	312
Информация о масле для резьбонарезки	313
Утилизация	313
Поиск и устранение неисправностей	313
Декларация соответствия ЕС	Внутренняя сторона задней обложки
Пожизненная гарантия	Задняя обложка

* Перевод исходных инструкций

Знаки безопасности

В данном руководстве по эксплуатации и на продукте обозначения техники безопасности и сигнальные слова используются для сообщения важной информации по безопасности. В данном разделе приведено пояснение значения этих сигнальных слов и обозначений.



Это обозначение опасности. Оно используется, чтобы предупредить вас о потенциальной опасности получить травму. Соблюдайте требования всех сообщений по технике безопасности, которые следуют за данным знаком, чтобы избежать возможных травм или летального исхода.

▲ ОПАСНОСТЬ

ОПАСНОСТЬ указывает на опасную ситуацию, которая, если ее не избежать, приведет к летальному исходу или к серьезной травме.

▲ ВНИМАНИЕ

ВНИМАНИЕ указывает на опасную ситуацию, которая, если ее не избежать, может привести к летальному исходу или к серьезной травме.

▲ ОСТОРОЖНО

ОСТОРОЖНО указывает на опасную ситуацию, которая, если ее не избежать, может привести к незначительной травме или к травме средней тяжести.

ПРЕДУПРЕЖДЕНИЕ

ПРЕДУПРЕЖДЕНИЕ указывает на информацию, относящуюся к защите имущества.



Этот символ означает "внимательно прочитайте руководство по эксплуатации перед использованием оборудования". Руководство по эксплуатации содержит важную информацию по безопасной и правильной работе с оборудованием.



Этот символ означает "всегда надевайте защитные очки с боковыми щитками или закрытые защитные очки при транспортировке или эксплуатации этого оборудования, чтобы снизить риск повреждения глаз".



Это обозначение указывает на риск того, что пальцы, руки, одежда или предметы могут попасть между шестернями или другими вращающимися деталями, что может привести к защемляющим травмам.



Этот символ указывает на опасность поражения электрическим током.



Этот символ указывает на риск опрокидывания станка, что может привести к травмам или переломам.



Этот символ означает "для снижения риска попадания пальцев в механизмы запрещается работать со станком в перчатках".



Этот символ означает "обязательно используйте опорное устройство для противодействия силам резбонарезания, улучшения управления и снижения опасности травмирования".

Основные предупреждения по безопасному использованию электроинструмента*

▲ ВНИМАНИЕ

Прочитайте и изучите данную инструкцию. Несоблюдение всех перечисленных ниже инструкций может привести к поражению электрическим током, пожару и/или серьезной травме.

СОХРАНИТЕ ВСЕ ПРЕДУПРЕЖДЕНИЯ И ИНСТРУКЦИИ ДЛЯ ПОСЛЕДУЮЩЕГО ИСПОЛЬЗОВАНИЯ!

Используемый в предупреждениях термин «электроинструмент» относится к электроинструментам с питанием от сети (со шнуром питания) и от аккумулятора (без шнура питания).

Безопасность в рабочей зоне

- Рабочая зона должна быть расчищена и хорошо освещена. Несчастные случаи происходят, как правило, в загроможденных и слабоосвещенных зонах.
- Запрещается использовать электроинструменты во взрывоопасных средах, то есть при наличии

горючих жидкостей, газов или пыли. Электроинструмент создает искры, которые могут привести к воспламенению пыли или газов.

- Не допускается присутствие детей и посторонних лиц во время работы с электроинструментом. Отвлечение внимания может привести оператора к потере управления оборудованием.

Электробезопасность

- Вилки на шнурах питания электроинструмента должны подходить к сетевым розеткам. Запрещается какое-либо изменение конструкции вилки. Запрещается использование любых переходных вилок для электроинструмента с заземлением (заземленного). Заземляемые инструменты следует подключать к надлежащим образом установленной и заземленной сетевой розетке в соответствии со всеми нормами и правилами. Запрещается извлекать штырь заземления или видоизменять вилку. Если имеются какие-либо сомнения в правильности заземления розетки, обратитесь для проверки к квалифицированному электрику. Использование немодифицированной вилки и соответствующей розетки снижает опасность поражения током.

* Текст, приведенный в разделе "Основные предупреждения по безопасному использованию электроинструмента" в данном руководстве, извлечен дословно, как требуется, из действующего стандарта UL/CSA 62841-1. В этом разделе содержатся общие правила техники безопасности для различных видов электроинструментов. Не все меры предосторожности распространяются на все электроинструменты, к данному электроинструменту применяются не все меры предосторожности.

- **Не следует прикасаться к заземленным поверхностям, например, трубам, нагревателям, печам и холодильникам.** В противном случае, если тело человека заземлено, риск поражения током повышается.
- **Запрещается подвергать электроинструмент воздействию дождя или влаги.** Проникновение воды внутрь электроинструмента повышает риск поражения электрическим током.
- **Обращайтесь со шнуром электропитания надлежащим образом.** Запрещается использовать шнур для переноски инструмента или вытаскивания вилки из розетки. **Оберегайте шнур от воздействия тепла, смазочных материалов, острых краев и движущихся деталей устройств.** Поврежденный шнур подлежит немедленной замене. Использование поврежденных шнуров повышает опасность поражения электрическим током.
- **При эксплуатации электроинструмента вне помещения следует использовать соответствующий удлинитель с маркировкой "W-A" или "W".** Такие шнуры питания предназначены для применения вне помещений и снижают опасность поражения электрическим током.
- **Если приходится применять электроинструмент во влажном месте, следует использовать источник электропитания, снабженный устройством защитного отключения (УЗО).** Использование УЗО снижает опасность поражения электрическим током.

Личная безопасность

- **Будьте внимательны, контролируйте выполняемые действия и пользуйтесь здравым смыслом при работе с электроинструментом.** Запрещается использовать электроинструмент, находясь в состоянии усталости или под действием наркотиков, алкоголя или лекарственных препаратов. Потеря внимания даже на секунду при работе с электроинструментами может привести к серьезным травмам.
- **Используйте индивидуальные средства защиты. Всегда надевайте защитные очки.** Использование в соответствующих условиях пылезащитной маски, ботинок с нескользящими подошвами, каски, берушей или других защитных средств снижает травмобезопасность.
- **Не допускайте непреднамеренного запуска электроинструмента.** Прежде чем брать электроинструмент в руки, переносить его или подключать к источнику постоянного и (или) батарейного питания, удостоверьтесь, что переключатель

находится в положении "ВЫКЛ". Переноска электроинструментов с пальцем на переключателе или подзарядка инструмента с переключателем в положении "ВКЛ." может привести к несчастному случаю.

- **Перед включением электроинструмента следует убрать любые гаечные ключи.** Регулировочный или гаечный ключ, оставленный присоединенным к вращающейся детали, может привести к травме.
- **Не пытайтесь дотянуться. Всегда сохраняйте устойчивое положение и равновесие.** Это обеспечивает более уверенное управление электроинструментом в непредвиденных ситуациях.
- **Следует надевать подходящую одежду. Не надевайте свободную одежду или украшения. Оберегайте волосы и одежду от движущихся частей.** Свободная одежда, украшения или длинные волосы могут попасть в движущиеся части.
- **При возможности подсоединения к пылесосителем и пылесборникам проследите за тем, чтобы они были подключены и использовались правильно.** Использование пылесборников способствует снижению рисков, связанных с пылью.

Использование электроинструмента и уход за ним

- **Не перегружайте электроинструмент. Используйте соответствующий инструмент для каждого типа работы.** Правильный выбор электроинструмента в соответствии с его предназначением обеспечивает более качественное, безопасное и быстрое выполнение работы.
- **Не используйте электроинструмент с неисправным выключателем.** Инструмент, который нельзя включить или выключить, представляет опасность и нуждается в ремонте.
- **Отсоедините вилку от источника питания и/или аккумуляторную батарею от электроинструмента, прежде чем производить какие-либо регулировки, замену принадлежностей или убрать инструмент на хранение.** Такие меры предосторожности снижают риск непреднамеренного включения инструмента.
- **Храните неиспользуемый электроинструмент вдали от детей. Не допускайте использования электроинструмента лицами, не работавшими ранее с инструментом и не ознакомленными с данными инструкциями.** Электроинструменты представляют опасность в руках неквалифицированных пользователей.

- Выполняйте надлежащее техническое обслуживание электроинструмента. Следите за тем, чтобы движущиеся части были отрегулированы и закреплены. Устраняйте поломки деталей или любые другие факторы, которые могут отрицательно повлиять на работу инструмента. В случае выхода электроинструмента из строя его необходимо отремонтировать до начала работы. Неисправное техническое состояние инструмента является причиной многих несчастных случаев.
- Следите за тем, чтобы режущий инструмент был острым и чистым. Режущий инструмент с острыми режущими кромками, за которым ведется надлежащий уход, режет заедает и более удобен в работе.
- Используйте электроинструменты, принадлежности, рабочие наконечники и пр. в соответствии с настоящими инструкциями, принимая во внимание условия и цели эксплуатации. Использование электроинструмента не по назначению может стать причиной опасной ситуации.

Обслуживание

- Ремонт электроинструмента должен осуществлять квалифицированный персонал с использованием идентичных запчастей на замену. Только таким образом гарантируется безопасность при использовании электроинструмента.

Информация по технике безопасности при работе с данным инструментом

⚠ ВНИМАНИЕ

В данном разделе содержится важная информация о безопасности, имеющая отношение именно к данному инструменту.

Чтобы снизить риск поражения электротоком, удара, защемления или другой тяжелой травмы, перед использованием силового привода 700 внимательно ознакомьтесь с указанными мерами предосторожности.

СОХРАНИТЕ ВСЕ ПРЕДУПРЕЖДЕНИЯ И ИНСТРУКЦИИ ДЛЯ ПОСЛЕДУЮЩЕГО ИСПОЛЬЗОВАНИЯ!

Храните данную инструкцию рядом с инструментом для ее использования оператором.

Техника безопасности при использовании силового привода

- Соблюдайте инструкции по надлежащему использованию данного инструмента. Прочитайте и изучите инструкции и предупреждения для всего используемого оборудования и материала до начала работы с этим силовым приводом. Несоблюдение всех инструкций и предупреждений может привести к повреждению имущества и/или к серьезной травме.
- При нарезании резьбы на трубах диаметром 1" (25 мм) и более используйте опорное устройство для противодействия силам резьбонарезания. Используйте надлежащее опорное устройство в соответствии с настоящей инструкцией. Опорные устройства улучшают управление и снижают опасность удара, заземления и/или других травм.
- При использовании опорного устройства, отличного от струбицы-фиксатора, следует убедиться, что опорное устройство противодействует корпусу электродвигателя. Опорные устройства, касающиеся других частей, могут повредить эти части инструмента и повысить опасность травмирования.
- Независимо от использования опорного устройства, всегда крепко удерживайте силовой привод в процессе нарезания резьбы или вывинчивания резьбонарезной головки из трубы, чтобы противодействовать силам резьбонарезания. Это снизит опасность удара, заземления и/или других травм.
- Не используйте силовой привод со сломанным пусковым переключателем. Этот выключатель является предохранительным устройством, которое позволяет отключить электродвигатель, отпустив выключатель.
- Не работайте с инструментами в перчатках или в свободной одежде. Рукава и пуговицы на одежде должны быть застегнуты. Не тянитесь руками через станок или трубу. Одежда может быть затянута трубой или механизмом инструмента.
- Один человек должен контролировать рабочий процесс и управлять работой инструмента. Во время работы инструмента в рабочей зоне должен находиться только оператор. Это позволяет снизить риск получения травм.
- Запрещается использовать затупленные или поврежденные резьбонарезные гребенки. Для острых режущих инструментов требуется меньший крутящий момент, и силовым приводом легче управлять.

- Следите за тем, чтобы рукоятки инструмента были сухими и чистыми; не допускайте попадания на них масла или смазки. Это обеспечит более уверенное владение инструментом.
- Пол должен быть сухим, на нем не должно быть скользких материалов, таких как масло. Скользкий пол может стать причиной несчастного случая.
- С силовыми приводами RIDGID 700 используйте только фирменные резьбонарезные головки RIDGID, другие резьбонарезные головки могут не обеспечивать надлежащую посадку в силовой привод, что повышает риск повреждения оборудования и травмоопасность.
- Если способ применения инструмента отличается от описанного в данном руководстве, используйте опорное устройство для противодействия силам, действующим на рукоятку. Опорные устройства улучшают управление и снижают опасность удара, защемления и/или других травм.

Если у вас возникли вопросы, касающиеся данного изделия RIDGID®:

- Обратитесь к местному дистрибьютору RIDGID®.
- Войдите на сайт RIDGID.com, чтобы найти контактный телефон местного дистрибьютора RIDGID.
- Обратитесь в отдел технического обслуживания компании Ridge Tool по адресу rttechservices@emerson.com, в США и Канаде можно также позвонить по номеру (800) 519-3456.

Описание, технические характеристики и стандартное оборудование

Описание

Силовой привод RIDGID® модели 700 предназначен для подачи электропитания при нарезании резьбы на трубах и кабелепроводах. Двухсторонний переключатель позволяет выбрать направление вращения вперед и назад.

Силовой привод предназначен для использования с резьбонарезными головками RIDGID 12-R (для труб диаметром 1/8" – 2"). Другие резьбонарезные головки RIDGID, такие как 00-R и 11-R, можно использовать с переходниками.

При нарезании резьбы на трубах диаметром 1" и более требуется применять опорное устройство, такое как № 775 или усиленный трубный ключ RIDGID 14", для противодействия силам резьбонарезания.

Силовой привод можно использовать в качестве приводного двигателя для трубореза RIDGID модели 258 и других инструментов, (см. раздел "Иные применения").



Рис. 1 – Силовой привод модели 700

Технические характеристики

Нарезание резьбы.....Труба 1/8" – 2" (3 – 50 мм)
Болт 1/4" – 1" (6 – 25 мм)
с использованием резьбонарезной головки 00-RB

Электродвигатель:

Тип	Универсальный, реверсивный		
Напряжение, В	110	120	220-240
Ток, А	13,5	13,5	6,5
Частота	50/60 Гц	50/60 Гц	50/60 Гц
Мощность, кВт.....	1500	1500	1500

Рабочая частота

вращения.....26-30 об/мин, без нагрузки

Органы управления.....Перекидной двухсторонний переключатель с пружинным возвратом в положение ВЫКЛ

Зубчатый редуктор.....Литой алюминий, редуктор с прямозубой цилиндрической смешанной передачей, пружинные защелки для переходника, шестерня патрона из закаленной стали

Размеры:

Длина	28 1/4" (717 мм)
Ширина	6 1/8" (154 мм)
Высота.....	7 3/8" (198 мм)
Вес.....	25 фунтов (11 кг)

Звуковое давление (L_{PA})**98,4 дБ(А), К=3

Мощность звука (L_{WA})** 107 дБ(А), К=3

Вибрация**2,5 м/с², К=1,5

* Информацию по электродвигателю вашего конкретного станка см. на табличке с заводским номером станка – имеются другие модификации.

** Измерения уровней звука и вибрации выполняются в соответствии с типовым тестом согласно стандарту EN 62481-1.

- Уровни вибрации могут быть использованы для сравнения с другими инструментами и предварительной оценки воздействия.

- Уровни производимых шумов и вибрации могут изменяться в зависимости от вашего местоположения и конкретного использования этих инструментов.

- Ежедневные уровни экспозиции шумам и вибрации следует оценивать для каждого конкретного применения и при необходимости принимать соответствующие меры безопасности. В оценке уровней экспозиции следует учитывать время, в течение которого инструмент выключен и не используется. Это может значительно снизить уровень экспозиции в течение всего рабочего периода.

Стандартные принадлежности

Силовой привод модели 700 поставляется со следующими компонентами:

- Силовой привод модели 700
- Упор, предотвращающий опрокидывание
- Фиксатор
- Руководство оператора

Табличка с серийным номером силового привода модели 700 находится на нижней части корпуса электродвигателя. Последние 4 цифры обозначают месяц и год его выпуска. (12 = месяц, 15 = год).

RIDGID		Ridge Tool Company, Elyria, Ohio, U.S.A.		RIDGID.com	
Model No.	[Blank]				
Serial No.	XXXXXXXXMMYY				
[Blank]	V	~	[Blank]	Hz	[Blank]
[Blank]	A	[Blank]	[Blank]	W	[Blank]
No	/min	Duty	[Blank]	[Blank]	[Blank]
				Intertek	

Рис. 2 – Серийный номер инструмента

ПРЕДУПРЕЖДЕНИЕ Ответственность за выбор соответствующих материалов и способов установки, соединения и обработки несет инженер-конструктор и/или монтажник системы. Выбор ненадлежащих материалов и методов может привести к выходу системы из строя.

Нержавеющая сталь и другие коррозионностойкие материалы могут загрязняться во время установки, соединения и обработки. Такое загрязнение может привести к коррозии и к преждевременному выходу трубы из строя. Тщательная оценка материалов и ме-

тодов конкретных условий эксплуатации, в том числе применяемых химикатов и температуры, должна быть завершена до начала любых монтажных работ.

Предэксплуатационный осмотр

ВНИМАНИЕ

Перед каждым использованием следует проверить силовой привод 700 и устранить малейшие неисправности, чтобы снизить риск серьезной травмы в результате поражения электротоком, заземления и пр., а также предотвратить повреждение силового привода.



1. Убедитесь, что силовой привод не подсоединен к сети электропитания.
2. Удалите с силового привода и с опорного устройства масло, смазку или грязь, особенно с рукоятки и органов управления. Это облегчает осмотр и помогает предотвратить выскальзывание инструмента или органа управления из рук.
3. Проверьте силовой привод по следующим позициям:
 - Отсутствие повреждения или видоизменения шнура и вилки электропитания.
 - Правильность сборки, техническое состояние и комплектация.
 - Отсутствие поврежденных, несоосных или заедящих деталей.
 - Правильность работы переключателя. Убедитесь, что он плавно включается, выключается и не заедает.
 - Наличие и разборчивость предупреждающих наклеек (Рис. 3).
 - Отсутствие любых других условий, которые могут воспрепятствовать безопасной и нормальной эксплуатации.
- При обнаружении каких-либо проблем устраните их, прежде чем использовать силовой привод или опорное устройство.
4. Осмотрите струбцину-фиксатор. Убедитесь, что захватывающие зубья струбцины-фиксатора чистые и неповрежденные. Зубья можно очищать проволочной щеткой.
5. Проверьте отсутствие износа, деформации, сколов или иных дефектов на режущих кромках резьбонарезных гребенок. Затупленные или поврежденные режущие инструменты повышают величину требуемого усилия, нарезают резьбу плохого качества и увеличивают опасность травмирования.

6. Выполните осмотр и обслуживание используемого дополнительного оборудования в соответствии с прилагаемыми к нему инструкциями и убедитесь в его надлежащем функционировании.

7. В соответствии с инструкциями, содержащимися в разделе *Подготовка к работе и эксплуатация инструмента*, проверьте надлежащее функционирование силового привода.

- Нажмите и отпустите переключатель вращения ВПЕРЕД и повторите эти действия для переключателя вращения НАЗАД, как показано на Рис. 3. Убедитесь, что силовой привод вращается, как показано на Рис. 3, и переключатель управляет работой инструмента.

Дождитесь полной остановки силового привода, прежде чем изменять направление вращения с помощью пускового переключателя. Это уменьшит риск повреждения силового привода.

- Нажмите и удерживайте пусковой переключатель. Проверьте движущиеся детали на предмет перекосов, заедания, посторонних шумов и других необычных состояний. Отпустите переключатель.

Если инструмент функционирует неправильно, или обнаружены какие-либо проблемы, устраните их, прежде чем использовать инструмент.



Рис. 3 – Положение переключателя, соответствующее направлению вращения

8. Отпустите пусковой переключатель и сухими руками отсоедините вилку шнура питания инструмента.

Подготовка к работе и эксплуатация инструмента

⚠ ВНИМАНИЕ



Подготовьте к работе силовой привод модели 700 и эксплуатируйте его в соответствии с указанными процедурами, чтобы снизить риск травмы в результате поражения электрическим током, попадания в движущиеся детали, удара, заземления и других причин, а также предотвратить повреждение силового привода.

При нарезании резьбы на трубах диаметром 1" (25 мм) и более используйте опорное устройство для противодействия силам резьбонарезания. Используйте надлежащее опорное устройство в соответствии с настоящей инструкцией. Опорные устройства улучшают управление и снижают опасность удара, заземления и/или других травм.

Независимо от использования опорного устройства, всегда крепко удерживайте силовой привод в процессе нарезания резьбы или вывинчивания резьбонарезной головки из трубы, чтобы противодействовать силам резьбонарезания. Это снизит опасность удара, заземления и/или других травм.

Обеспечьте надлежащую опору трубы. Это снизит риск падения трубы, опрокидывания и получения травмы.

Запрещается использовать силовой привод без исправно работающего пускового переключателя.

Во время работы с инструментами не надевайте перчатки или свободную одежду. Рукава и пуговицы на одежде должны быть застегнуты. Не тянитесь руками через станок или трубу. Одежда может быть затянута трубой или механизмом инструмента.

Один человек должен контролировать рабочий процесс и управлять пусковым переключателем. Работать со станком должен только один человек. В случае затягивания оператор должен иметь возможность управлять переключателем.

1. Проверьте рабочую зону по следующим позициям:
 - Наличие соответствующего освещения.
 - Отсутствие воспламеняющихся жидкостей, паров или пыли. При наличии таковых, не следует

приступать к работе в этой зоне до тех пор, пока источники опасностей не будут определены и устранены. Силовые приводы не являются взрывозащищенными и могут создавать искры.

- Наличие чистого, ровного, устойчивого и сухого места для оператора и всего оборудования.
 - Наличие хорошей вентиляции. Запрещается интенсивно использовать инструмент в небольших замкнутых пространствах.
 - Наличие правильно смонтированной электрической розетки соответствующего напряжения. При возникновении сомнений розетка подлежит проверке квалифицированным электриком.
 - Наличие свободного доступа к электрической розетке и отсутствие потенциальных источников повреждения шнура питания.
2. Осмотрите трубу для нарезания резьбы и соответствующие принадлежности и убедитесь, что силовой привод модели 700 пригоден для выполнения работы. См. "Технические характеристики".

Оборудование для других применений можно найти в каталоге компании Ridge Tool на сайте RIDGID.com или обратившись в Отдел технического обслуживания компании Ridge Tool по телефону (800) 519-3456 в США и в Канаде.

3. Убедитесь, что применяемое оборудование надлежащим образом осмотрено и проверено.
4. Правильно подготовьте трубу, как требуется. Проверьте, что труба обрезана перпендикулярно и заусенцы удалены. Труба, обрезанная под углом, может повредить резьбонарезные гребенки в процессе нарезания резьбы и создать трудности при подсоединении резьбонарезной головки.
5. Проверьте, что труба для нарезания резьбы устойчива и надежно закреплена во избежание опрокидывания во время использования инструмента. Используйте надлежащие опорные стойки для трубы.
6. Проверьте уровень масла для резьбонарезки RIDGID в устройстве смазки RIDGID модели 418. Уберите лоток для сбора стружки и проверьте, что сетчатый фильтр чистый и полностью погружен в масло. При необходимости замените или долейте масло. Поставьте резервуар устройства смазки модели 418 под торец трубы, на котором будет нарезана резьба.

Установка резьбонарезных головок

1. Убедитесь, что силовой привод отключен от розетки электропитания.

2. Вставьте резьбонарезную головку 12-R или переходник (см. раздел "Дополнительные принадлежности") шлицевой стороной в силовой привод, так чтобы пружинные защелки привода надежно зацепились за шлицы. (Рис. 4). Резьбонарезную головку или переходник можно вставлять с любой стороны силового привода. В некоторых случаях может потребоваться повернуть резьбонарезную головку/переходник, чтобы обеспечить зацепление защелки. Для переходников моделей 770 и 773 резьбонарезную головку следует сначала вставить в переходник, а затем вставлять его в силовой привод.
3. Чтобы извлечь резьбонарезную головку, вытяните ее под прямым углом из силового привода. При необходимости используйте молоток с мягким бойком или деревянный брусок, чтобы выстучать резьбонарезную головку из инструмента. Не наносите сильных ударов по резьбонарезной головке, это может повредить инструмент.



Рис. 4 – Установка резьбонарезных головок в силовой привод модели 700

Противодействие силам резьбонарезания (опорные устройства)

Для нарезания правой резьбы резьбонарезная головка будет вращаться по часовой стрелке (если смотреть на торец резьбонарезной головки). Силы, создаваемые моментом вращения при нарезании резьбы, будут действовать в противоположном направлении, или против часовой стрелки. При нарезании левой резьбы направление вращения и действия сил изменятся на противоположные. Проверьте, что опорное устройство установлено так, чтобы должным образом выдерживать силу резьбонарезания и нейтрализовать ее.

Использование струбцины-фиксатора № 775:

1. Крюк зажима струбцины-фиксатора можно установить с любой стороны. Надежно затяните шарнирный болт.

- Установите струбцину-фиксатор на трубу, так чтобы конец струбцины-фиксатора был совмещен с концом трубы, а силовой привод 700 был расположен немного выше горизонтали (Рис. 5 и 6). Такое расположение струбцины-фиксатора является правильным для нарезания резьбы и предотвращает попадание масла для нарезания резьбы в силовой привод.
- Убедитесь, что зажимные губки струбцины-фиксатора охватывают трубу под прямым углом, и надежно затяните струбцину-фиксатор.

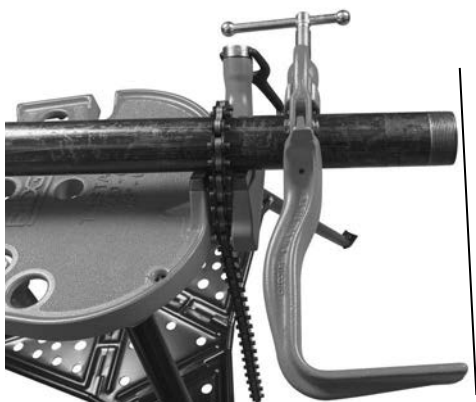


Рис. 5 – Струбцина-фиксатор совмещена с концом трубы



Рис. 6 – Струбцина-фиксатор с силовым приводом 700, который расположен немного выше горизонтали

Использование усиленного трубного ключа RIDGID 12", 14" или 18":

- Плотно вставьте упор, предотвращающий опрокидывание, в корпус вентилятора силового привода 700. Можно также использовать отрезок стальной трубы длиной 5" (127 мм) диаметром 1/2" по сортаменту 80 с резьбой 1/2" NPT.
- Установите усиленный трубный ключ RIDGID 12", 14" или 18" на расстоянии примерно 7" (175 мм) от конца трубы (см. Рис. 7). Проверьте, что ключ надежно закреплен, не упадет и не сдвинется.

- При пуске резьбонарезки упор будет находиться на рукоятке трубного ключа.



Рис. 7 – Нарезание резьбы с использованием трубного ключа в качестве струбцины-фиксатора

Другие способы фиксации:

Установите корпус электродвигателя силового привода (см. Рис. 1) вплотную к соседним конструктивным элементам (таким, как стены, балки и брусья). Для этого необходимо, чтобы труба, на которой нарезается резьба, и окружающие ее элементы могли выдержать вес инструмента и силы резьбонарезания. Для надлежащего противодействия силам резьбонарезания может потребоваться дополнительное использование временных или постоянных опор для труб или конструктивных элементов.

Для труб диаметром 3/4" и меньше:

Нарезание резьбы в трубах с номинальным размером 3/4" и менее можно выполнять без использования опорного устройства. В этом случае оператор противодействует силам резьбонарезания. Труба должна быть надлежаще закреплена во избежание вращения. Всегда крепко удерживайте силовой привод в процессе нарезания резьбы или вывинчивания резьбонарезной головки из трубы, чтобы противодействовать силам. Это снизит опасность удара, защемления и/или других травм.

Нарезание резьбы

- Сухими руками подключите силовой привод к сети электропитания.
- Установите резьбонарезную головку на торец трубы и удерживайте силовой привод, как указано в разделе "Противодействие силам резьбонарезания". Всегда держите силовой привод вплотную к опорному устройству. Не вставляйте ничего между силовым приводом и опорным устройством – это повышает опасность травмирования в результате сдавливания или защемления.
- Займите надлежащее рабочее положение, которое обеспечит управление инструментом (см. Рис. 9).

- Убедитесь, что вы находитесь в устойчивом положении и вам не требуется далеко тянуться.
- Убедитесь, что вы можете управлять пусковым переключателем и инструментом. Пока не нажимайте переключатель. В случае опасности вы должны иметь возможность отпустить переключатель.

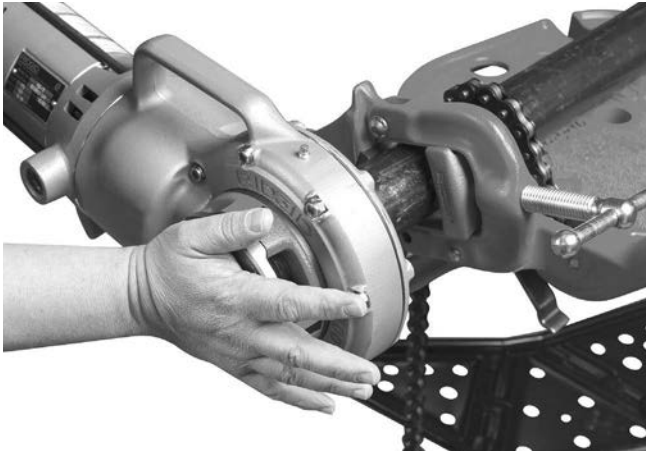


Рис. 8 – Начало нарезания резьбы

4. Одновременно приведите в действие пусковой переключатель (см. Рис. 3) и ладонью свободной руки прижмите крышку резьбонарезной головки, чтобы начать нарезание резьбы (Рис. 8). Не надевайте перчатки и украшения и не используйте тряпки для прижимания крышки – это повышает опасность затягивания в движущиеся детали и травмирования. Как только гребенки войдут в зацепление с трубой, начнется нарезание резьбы, так как гребенки сами натягивают себя на торец трубы.

Всегда прочно удерживайте рукоятку силового привода для противодействия силам, действующим на рукоятку. Опорные устройства могут соскользнуть, что приведет к смещению силового привода. Пусковой переключатель можно отпустить в любое время, чтобы ВЫКЛЮЧИТЬ силовой привод.



Рис. 9 – Нарезание резьбы на трубе

5. Прекратите нажимать на крышку и с помощью устройства смазки нанесите большое количество масла для резьбонарезки RIDGID на зону нарезания резьбы. Это позволит снизить крутящий момент нарезания резьбы, повысить качество резьбы и увеличивает срок службы гребенки.
6. Удерживайте переключатель нажатым, пока торец трубы не будет находиться вровень с кромкой резьбонарезных гребенок (Рис. 10). Следите за тем, чтобы силовой привод не дошел до опорного устройства. Отпустите пусковой переключатель. Дождитесь полной остановки силового привода.

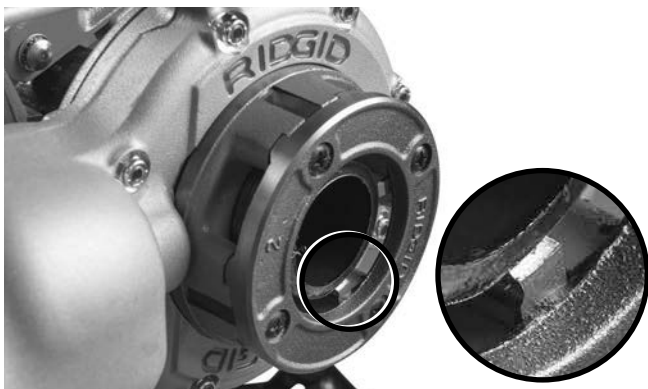


Рис. 10 – Торцевая часть трубы вровень с кромкой резьбонарезных гребенок

7. Чтобы снять резьбонарезную головку с трубы с нарезанной резьбой, включите пусковой переключатель в обратном направлении. Плотно удерживайте рукоятку силового привода, чтобы противодействовать силам, действующим на рукоятку при дроблении стружки и отворачивании резьбонарезной головки.
8. Отпустите переключатель и снимите с трубы силовой привод и резьбонарезную головку.
9. Сухими руками отключите силовой привод от сети электропитания.
10. Вытрите масло и отходы с резьбы и резьбонарезной головки, соблюдая осторожность, чтобы не порезаться об острые отходы или кромки. Очистите рабочую зону от пролитого масла.

Проверка резьбы

1. Удалите из резьбы масло, стружку или отходы.
2. Осмотрите резьбу. Резьба должна быть правильной формы, однородной и полной. Если имеются проблемы, такие как разрыв резьбы, тонкие нитки резьбы или овальность трубы, резьба может не обеспечить герметичность при монтаже. Для диагностики этих проблем обратитесь к таблице "Поиск и устранение неисправностей".
3. Проверьте размер резьбы. Предпочтительным методом проверки размера резьбы является использование кольцевого калибра. Имеются различные типы кольцевых калибров, и их использование может отличаться от показанного на Рис. 11.
 - От руки плотно наверните кольцевой калибр на резьбу.
 - Посмотрите, насколько далеко торцевая часть трубы проходит сквозь кольцевой калибр. Торцевая часть трубы должна быть заподлицо со стороной калибра плюс-минус один виток резьбы. Если размер резьбы не измеряется надлежащим образом,

отрежьте резьбу, отрегулируйте резьбонарезную головку и заново нарежьте резьбу. Использование резьбы, не выверенной должным образом по калибру, может привести к утечкам.

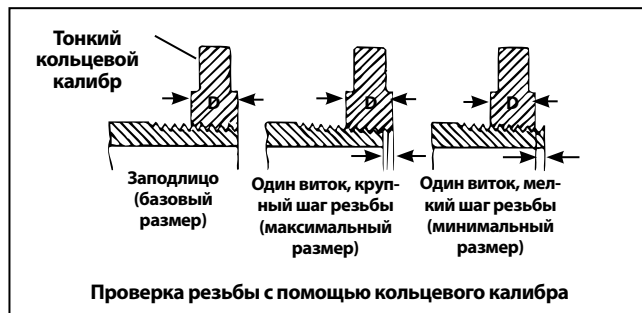


Рис. 11 – Проверка размера резьбы

- Если нет кольцевого калибра для проверки размера резьбы, можно использовать новый чистый образец фитинга, используемого в работе, для измерения размера резьбы. Для труб NPT размером 2" и менее нарезанная резьба должна содержать 4 – 5 витков для затяжки соединения с фитингом от руки, а для труб BSPT размером 2" и менее – 3 витка.

Силовой привод модели 700 – иные применения

Данное руководство содержит конкретные инструкции по применению силового привода модели 700 для нарезания резьбы с использованием различных резьбонарезных головок RIDGID. При использовании с другим оборудованием RIDGID (например, с электрическим труборезом RIDGID 258/258XL) соблюдайте предупреждения и инструкции по надлежащей подготовке к работе и эксплуатации, предоставляемые с этим оборудованием RIDGID.

Компания Ridge Tool не может предоставить конкретные инструкции по всем возможным применениям силового привода модели 700. Пользователь должен определить конкретный план и использовать надлежащую методику и практику выполнения работы. Не используйте силовой привод модели 700 для иных целей, если имеются какие-либо сомнения в таком применении.

При использовании силового привода модели 700 для иных целей тщательно оцените возможность и подготовьтесь к работе с учетом приведенных ниже общих указаний. Силовой привод модели 700 создает высокий крутящий момент и, соответственно, значительные силы, действующие на рукоятку, которые могут привести к травмированию в результате защемления или удара.

- Чтобы приспособить силовой привод модели 700 для вращения наружной трубы квадратного сечения размером $1\frac{1}{2}$ " , можно использовать переходник квадратного сечения RIDGID модели 774. Надежно закрепляйте переходник во избежание его отсоединения в процессе использования.
- Необходимо проработать надлежащий способ противодействия силам, действующим на рукоятку (см. раздел "Противодействие силам резьбонарезания"). Воздействие может превышать 1000 фунтов (455 кг). Опорные устройства можно устанавливать вплотную к корпусу электродвигателя или вентилятора силового привода 700 (Рис. 1).
- Всегда держите силовой привод вплотную к опорному устройству – не вставляйте части тела между силовым приводом и опорным устройством.
- В процессе использования силовой привод не должен смещаться относительно опорного устройства.
- Убедитесь, что установка (например, для обработки или проверки клапана) вращается свободно без заедания, и известны концы хода. Если система заедает или трудно проворачивается при использовании, силы, действующие на рукоятку, могут резко и значительно увеличиться, или силовой привод может начать вращаться.
- При использовании для управления или тестирования клапанов и другого оборудования соблюдайте все инструкции изготовителя оборудования. Не перегружайте оборудование.
- Используйте оборудование таким образом, чтобы противодействующая сила силового привода 700 была направлена от пользователя.
- Пусковой переключатель можно отпустить в любое время, чтобы выключить силовой привод. Проверьте, что вы можете отпустить пусковой переключатель.

Инструкция по техническому обслуживанию

⚠ ВНИМАНИЕ

Перед выполнением любых регулировок или операций технического обслуживания убедитесь, что пусковой переключатель отпущен, а инструмент отсоединен от сети электропитания.

Выполняйте техническое обслуживание инструмента в соответствии с указанными процедурами, чтобы уменьшить риск поражения электрическим током, попадания в движущиеся детали механизмов и других причин.

Чистка

1. После каждого использования удаляйте стружку от нарезания резьбы из лотка для стружки в устройстве смазки модели 418 и вытирайте остатки масла.
2. Удаляйте с силового привода масло, смазку, стружку или грязь, особенно с рукояток и органов управления.
3. Удаляйте масло, смазку или грязь со струбцины-фиксатора. При необходимости очищайте зажимные губки струбцины-фиксатора проволочной щеткой.
4. Удаляйте стружку и грязь с резьбонарезных головок.

Смазка

С помощью шприца для смазки заправляйте литиевую консистентную смазку Lithium EP (с противозадирными присадками) через точки смазки, расположенные на корпусе редуктора (см. Рис. 1), каждые 3–6 месяцев в зависимости от интенсивности использования инструмента.

Замена гребенок в резьбонарезных головках 12-R

Для установки в резьбонарезные головки RIDGID модели 12-R поставляется широкий ассортимент резьбонарезных гребенок. См. *ассортимент в каталоге*.

1. Отверните четыре винта (4) и снимите с резьбонарезной головки крышку (2) и гребенки (3).
2. Вставьте в пазы новые гребенки пронумерованным торцом (1, 2, 3, 4) вверх. Номера на гребенках должны соответствовать номерам на пазах резьбонарезной головки. Всегда заменяйте гребенки в комплекте.
3. Установите крышку (2) и винты (4) и без усилий затяните винты.
4. Вверните конец трубы с резьбой в гребенки, так чтобы они начали нарезать резьбу. Это приводит к установке упора с наружной стороны гребенок "B" на уровне выступа "A" на крышке и установке надлежащего размера.
5. Прочно затяните четыре винта. Извлеките трубу с нарезанной резьбой и выполните тестовое нарезание.

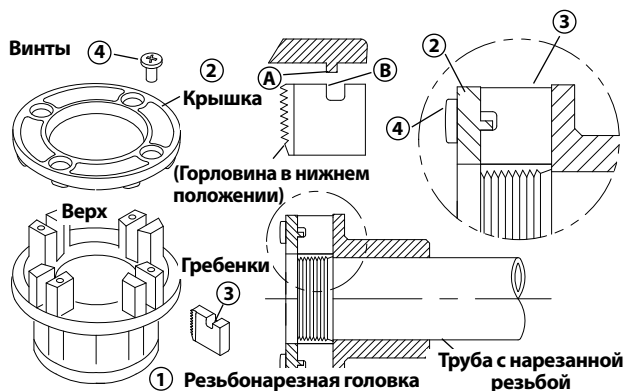


Рис. 12 – Установка гребенок в резьбонарезную головку

Замена щеток в электродвигателе

Проверяйте щетки электродвигателя каждые 6 месяцев. Замените щетки, если они изношены до высоты менее 1/4" (6 мм).



Рис. 13 – Установка щетки

1. Отключите инструмент от источника электропитания.
2. Отверните колпачки щеток. Снимите и осмотрите щетки. Замените щетки, если они изношены до высоты менее 1/4" (6 мм). Проверьте отсутствие износа коллектора. При значительном износе проведите техническое обслуживание инструмента.
3. Установите щетки на место/установите новые щетки.
4. Перед использованием включите инструмент вхолостую для вращения в течение 15 минут в прямом направлении, а затем в течение 15 минут в обратном направлении, чтобы новые щетки приработались к коллектору.

Дополнительные принадлежности

⚠ ВНИМАНИЕ

Для снижения риска тяжелой травмы используйте только принадлежности, специально разработанные и рекомендованные к применению с силовым приводом модели 700, которые перечислены ниже.

№ по каталогу	Описание
42600	770 Переходник для резьбонарезных головок 00-R (1/8" – 1") и 00-RB (1/4" – 1")
42605	771 Переходник для резьбонарезных головок 0-R (1/8" – 1")
42610	772 Переходник для резьбонарезных головок 11-R (1/8" – 1 1/4")
42615	773 Переходник для резьбонарезных головок 111-R (1/8" – 1 1/4")
42620	774 Переходник квадратного сечения – 1 5/16"
42625	775 Струбина-фиксатор
46615	Упор, предотвращающий опрокидывание
42950	B-171-X Металлический кейс для переноски
10883	418 Устройство смазки в комплекте с 1 галлоном высококачественного масла для резьбонарезки
41620	Смазка для редуктора

Более подробную информацию о дополнительных принадлежностях, поставляемых для силового привода модели 700, можно найти в каталоге RIDGID на сайте RIDGID.com.

Хранение инструмента

⚠ ВНИМАНИЕ Силовой привод 700 следует хранить внутри помещений или тщательно накрывать в дождливую погоду. Инструмент надлежит хранить в запираемом помещении, недоступном для детей и людей, не знакомых с работой инструмента. Этот инструмент может причинить серьезные травмы в руках неквалифицированных пользователей.

Обслуживание и ремонт

⚠ ВНИМАНИЕ

Неправильное обслуживание или ремонт могут привести к небезопасной работе инструмента.

В разделе "Инструкция по техническому обслуживанию" рассмотрено большинство операций обслуживания этого инструмента. Любые проблемы, не рассмотренные в этом разделе, должен устранять только уполномоченный техник по обслуживанию оборудования RIDGID.

Инструмент следует направить в независимый сервис-центр RIDGID или вернуть на завод-изготовитель. Используйте только запасные части RIDGID.

Для получения информации о ближайшем независимом сервис-центре RIDGID, а также с любыми вопросами по обслуживанию и ремонту:

- Обратитесь к местному дистрибьютору RIDGID.
- Войдите на сайт RIDGID.com, чтобы найти контактный телефон местного дистрибьютора RIDGID.
- Обратитесь в Отдел технического обслуживания компании Ridge Tool по адресу rtctechservices@emerson.com. В США и Канаде можно также позвонить по номеру (800) 519-3456.

Информация о масле для резбонарезки

Прочитайте и соблюдайте все инструкции, указанные на этикетке масла для резбонарезки и в Паспорте безопасности вещества (SDS). Конкретные сведения о маслах для резбонарезки RIDGID, включая информацию о возможных видах опасности, первой помощи, обеспечении пожарной безопасности, мерах по устранению аварийной утечки, об обращении и хранении, индивидуальных средствах защиты, утилизации и транспортировке, приведены на контейнере и в SDS. SDS доступен на сайте RIDGID.com или предоставляется при обращении в Отдел технического обслуживания компании Ridge Tool по телефону (800) 519-3456 в США и Канаде или по адресу rtctechservices@emerson.com.

Утилизация

Детали силового привода 700 содержат ценные материалы и могут быть подвергнуты повторной переработке. В своем регионе вы можете найти компании, специализирующиеся на утилизации. Утилизируйте компоненты в соответствии со всеми применимыми нормативами. Узнайте дополнительную информацию в местной организации по утилизации отходов.



Для стран ЕС: Не утилизируйте электрооборудование вместе с бытовыми отходами!

В соответствии с Директивой 2012/19/EU по утилизации электрического и электронного оборудования, электрическое оборудование, не пригодное для дальнейшего использования, следует собирать отдельно и утилизировать безопасным для окружающей среды способом.

Поиск и устранение неисправностей

ПРОБЛЕМА	ВОЗМОЖНЫЕ ПРИЧИНЫ	РЕШЕНИЕ
Инструмент не работает.	Щетки не касаются якоря электродвигателя.	Проверьте щетки, в случае износа замените.
Инструмент не нарезает резьбу.	Затупленные резбонарезные гребенки.	Замените резбонарезные гребенки.
	Перегрузка вследствие неровной или овальной резьбы.	См. возможные причины ниже.
	Низкое качество или недостаточное количество масла для резбонарезки.	Используйте масло для резбонарезки RIDGID в надлежащем количестве.
	Недостаточное напряжение в сети электропитания.	Проверьте напряжение источника питания.

Поиск и устранение неисправностей (продолжение)

Тонкие нитки резьбы.	<p>Недостаточный контакт между щетками и коллектором.</p> <p>Щетки не обеспечивают надлежащего контакта с коллектором.</p> <p>Щетки другого изготовителя.</p> <p>Новые щетки.</p>	<p>Затяните колпачки щеток, чтобы обеспечить плотное прижатие щеток к коллектору.</p> <p>Замените изношенные щетки или якорь.</p> <p>Используйте только щетки RIDGID.</p> <p>Приработайте щетки, для этого включите инструмент вхолостую для вращения по 15 минут в прямом и обратном направлениях.</p>
Резьбонарезная головка не начинает нарезание резьбы.	<p>Резьбонарезная головка не перпендикулярна торцу трубы.</p> <p>Усилие для введения в зацепление неправильно прикладывается к резьбонарезной головке.</p> <p>Торец трубы обрезан не перпендикулярно.</p> <p>Затупленные или сломанные резьбонарезные гребенки.</p> <p>Инструмент выполняет вращение в неправильном направлении.</p> <p>Неправильная посадка гребенок в резьбонарезной головке.</p>	<p>Нажмите на крышку резьбонарезной головки, чтобы начать резьбонарезку.</p> <p>Прикладывайте усилие для введения в зацепление вдоль осевой линии трубы.</p> <p>Срежьте торец трубы перпендикулярно.</p> <p>Замените резьбонарезные гребенки.</p> <p>Включите инструмент в надлежащем направлении.</p> <p>Проверьте, что гребенки обращены наружу напротив выступов на крышке.</p>
Неровные витки резьбы.	<p>Поврежденные, зазубренные или изношенные резьбонарезные гребенки.</p> <p>Неадекватное масло для резьбонарезки или недостаточное количество масла.</p> <p>Несоответствующий материалу тип резьбонарезной гребенки.</p> <p>Плохой материал/низкое качество трубы.</p>	<p>Замените резьбонарезные гребенки.</p> <p>Используйте только масло для резьбонарезки RIDGID® в надлежащем количестве.</p> <p>Выбирайте быстрорежущие гребенки из нержавеющей или легированной стали, соответствующие применению.</p> <p>Используйте трубу более высокого качества.</p>
Овальные или смятые витки резьбы.	<p>Малая толщина стенки трубы.</p>	<p>Используйте трубы сортамента 40 или с большей толщиной стенки.</p>
Опорное устройство проворачивается в процессе нарезания резьбы.	<p>Загрязнены зажимные губки струбцины-фиксатора.</p> <p>Струбцина-фиксатор не выровнена.</p> <p>Струбцина-фиксатор неплотно затянута.</p>	<p>Очистите проволочной щеткой.</p> <p>Выровняйте струбцину-фиксатор перпендикулярно относительно трубы.</p> <p>Затяните подающий винт.</p>
Тонкие нитки резьбы.	<p>Неправильный порядок установки резьбонарезных гребенок.</p>	<p>Установите гребенки в соответствующие пазы резьбонарезной головки.</p>

Elektrikli El Paftası

700



⚠ UYARI!

Bu aleti kullanmadan önce Kullanıcı Kılavuzunu dikkatle okuyun. Bu kılavuzun içeriğinin anlaşılması ve ona uyulmaması elektrik çarpması, yangın ve/veya ağır yaralanmalara yol açabilir.

700 Elektrikli El Paftası

Aşağıdaki Seri Numarası'nı kaydedin ve isim levhasındaki ürün seri numarasını muhafaza edin.

Seri
No.

İçindekiler

Makine Seri Numarası için Kayıt Formu	315
Güvenlik Sembolleri	317
Genel Elektrikli Alet Güvenlik Uyarıları	317
Çalışma Alanı Güvenliği	317
Elektrik Güvenliği.....	317
Kişisel Güvenlik.....	318
Elektrikli Alet Kullanımı ve Bakımı	318
Servis.....	318
Özel Güvenlik Bilgileri	318
Elektrikli El Paftası Güvenliği	318
Açıklama, Teknik Özellikler ve Standart Ekipman	319
Açıklama	319
Teknik Özellikler	320
Standart Ekipman.....	320
Kullanım-Öncesi Kontrol	320
Hazırlama ve Çalıştırma	321
Pafta Kafalarının Takılması.....	322
Dış Açma Kuvvetlerine Dayanma	322
Dış açma	323
Dişlerin İncelenmesi	324
700 Elektrikli El Paftası – Diğer Kullanımlar	325
Bakım Talimatları	325
Temizleme.....	325
Yağlama.....	325
12-R Pafta Kafalarındaki Paftaların Değiştirilmesi.....	325
Motordaki Fırçaların Değiştirilmesi	326
İsteğe Bağlı Ekipman	326
Makinenin Saklanması	326
Bakım ve Onarım	326
Diş Kesme Yağı Bilgisi	327
Elden Çıkarma	327
Sorun Giderme	328
AB Uygunluk Beyanı	Arka Kapağın İçinde
Ömür Boyu Garanti	Arka Kapak

* Orijinal kılavuzun çevirisidir

Güvenlik Sembolleri

Bu kullanıcı kılavuzunda ve ürün üzerinde güvenlik sembolleri ve uyarı kelimeleri önemli güvenlik bilgilerini bildirmek için kullanılmıştır. Bu kısım, bu uyarı kelimelerinin ve sembollerin daha iyi anlaşılması için sunulmuştur.



Bu güvenlik uyarı sembolüdür. Sizi potansiyel kişisel yaralanma tehlikesine karşı uyarmak için kullanılır. Muhtemel yaralanma veya ölümden sakınmak için bu sembolü izleyen tüm güvenlik mesajlarına uyun.

⚠ TEHLİKE

TEHLİKE sakınılmadığı takdirde ölüm veya ciddi yaralanmayla sonuçlanacak tehlikeli bir durumu gösterir.

⚠ UYARI

UYARI sakınılmadığı takdirde ölüm veya ciddi yaralanmayla sonuçlanabilecek tehlikeli bir durumu gösterir.

⚠ DİKKAT

DİKKAT sakınılmadığı takdirde küçük veya orta derece yaralanmaya yol açabilecek tehlikeli bir durumu gösterir.

BİLDİRİM

BİLDİRİM eşyanın korunmasıyla ilgili bilgileri gösterir.



Bu sembol ekipmanı kullanmadan önce kullanıcı kılavuzunun dikkatlice okunması gerektiği anlamına gelir. Kullanıcı kılavuzu ekipmanın güvenli ve düzgün kullanımına dair önemli bilgiler içerir.



Bu sembol göz yaralanması riskini azaltmak için ekipmanı taşırken veya kullanırken daima yan korumaları olan güvenlik gözlükleri veya koruyucu gözlüklerin takılması gerektiğini gösterir.



Bu sembol parmakların, ellerin, kıyafetlerin ve diğer nesnelerin ezilmelere neden olacak şekilde dişlilerin veya diğer döner parçaların arasına kaptırılma riskine işaret eder.



Bu sembol elektrik çarpması riskini gösterir.



Bu sembol makinenin devrilerek çarpma veya ezilmeye kaynaklanan yaralanmalara yol açma tehlikesi olduğunu belirtir.



Bu sembol dolanma riskini azaltmak için bu makineyi çalıştırırken eldiven giyilmemesi gerektiği anlamına gelir.



Bu sembol dış açma kuvvetine dayanmak, kontrolü geliştirmek ve yaralanma riskini azalmaya yardımcı olmak için her zaman destek cihazı kullanılması gerektiği anlamına gelir.

Genel Elektrikli Alet Güvenlik Uyarıları*

⚠ UYARI

Tüm talimatlarını okuyun ve kavrayın. Aşağıda listelenen talimatların tümüne uyulmaması elektrik çarpması, yangın ve/veya ciddi yaralanmalara yol açabilir.

TÜM UYARI VE TALİMATLARI GELECEKTE BAŞVURMAK ÜZERE SAKLAYIN!

Uyarılardaki "elektrikli alet" terimi elektrik hattından (kablolu) ya da pil ile (kablolu) çalışan elektrikli aletleri kapsar.

Çalışma Alanı Güvenliği

- Çalışma alanının temiz ve iyi aydınlatılmış olmasını sağlayın. Dağınık veya karanlık alanlar kazalara yol açabilir.
- Elektrikli aletleri alev alabilen sıvıların, gazların ya da tozların olduğu patlayıcı atmosferlerde kullanmayın. Elektrikli aletler toz ya da gazları tutuşturabilecek kıvılcımlar üretebilirler.
- Elektrikli aletleri kullanırken çocukları ve izleyenleri uzakta tutun. Dikkatinizi dağıtan şeyler kontrolü kaybetmenize sebep olabilir.

Elektrik Güvenliği

- Elektrikli aletlerin fişleri prizlere uygun olmalıdır. Fişi hiç bir şekilde değiştirmeyin. Topraklanmış elektrikli aletler ile adaptör fişi kullanmayın. Topraklı makineler düzgün bir tesisata sahip ve tüm kod ve talimatlara uygun şekilde topraklanmış bir prize takılmalıdır. Topraklama elemanını kesinlikle çıkarmayın veya fiş üzerinde değişiklik yapmayın. Prizin düzgün şekilde topraklanıp topraklanmadığından şüphelenir varsanız nitelikli bir elektrik teknisyeni ile birlikte kontrol edin. Değiştirilmemiş fişler ve eşleşen prizler elektrik çarpması riskini düşüreceklerdir.
- Borular, radyatörler, paftalar ve buz dolapları gibi topraklanmış veya şasilenmiş yüzeylere vücut temasından kaçınınız. Vücudunuz topraklanır veya şasilenirse elektrik çarpması ihtimali artar.
- Elektrikli aletleri yağmura ya da ıslak koşullara maruz bırakmayın. Elektrikli alete giren su, elektrik çarpması ihtimalini artırır.
- Kabloyu başka amaçlarla kullanmayın. Cihazı taşımak veya fişi prizden çekmek için kesinlikle kabloyu kullanmayın. Kabloyu ısıdan, yağdan, keskin kenarlardan ve hareketli parçalardan uzak tutun. Hasarlı kabloları derhal değiştirin. Hasarlı kablolar elektrik çarpması riskini artırır.

* Bu kılavuzun Genel Elektrikli Alet Güvenlik Uyarıları bölümünde kullanılan metin, kanunlar gereği geçerli UL/CSA 62841-1 versiyonu standardından harfi harfine alınmıştır. Bu bölümde, pek çok farklı tipte elektrikli alet için genel güvenlik uygulamaları bulunmaktadır. Tüm önlemler her alet için geçerli olmayabilir, bazı önlemler de bu alet için geçerli değildir.

- **Bir elektrikli aleti dışarıda çalıştırırken, “W-A” veya “W” işaretli bir açık alan uzatma kablosu kullanın.** Bu kablolar açık alanlarda kullanım için sınıflandırılmıştır ve elektrik çarpması riskini düşürür.
- **Elektrikli aletleri nemli yerlerde kullanmaktan kaçınma şansınız yoksa bir topraklama arızası devre şalteri (GFCI) korumalı besleme kullanın.** GFCI kullanımını elektrik çarpması ihtimalini azaltır.

Kişisel Güvenlik

- **Dikkatli olun, ne yaptığınıza dikkat edin ve elektrikli alet kullanırken sağduyunuzu kullanın.** Elektrikli aletleri yorgunken veya ilaç, uyuşturucu veya alkolün tesiri altındayken kullanmayın. Elektrikli aletlerin kullanımı sırasında bir anlık dikkatsizlik ciddi kişisel yaralanmalara yol açabilir.
- **Kişisel koruyucu ekipmanlar kullanın. Daima göz koruyucu kullanın.** Toz maskeleri, kaymaz güvenlik ayakkabıları, sert şapkalar ve kulak korumaları gibi koruyucu ekipmanların kullanımı yaralanmaların azalmasını sağlar.
- **Aletin siz farkında olmadan çalışmaya başlamasını engelleyin. Güç kaynağına ve/veya aküye bağlamadan önce, aleti kaldırırken veya taşıırken düğmenin OFF (KAPALI) konumda olduğunu doğrulayın.** Parmağınız anahtarın üzerindeyken elektrikli aletleri taşımanız ya da anahtar ON (AÇIK) konumdayken güç kaynağına bağlamanız kazalara davetiye çıkarır.
- **Elektrikli aleti ON (AÇIK) konuma çevirmeden önce üzerindeki tüm ayar anahtarlarını çıkarın.** Elektrikli aletin dönen parçasına takılı olarak bırakılmış bir anahtar yaralanmalara yol açabilir.
- **Aşırı zorlamadan kullanın. Her seferinde uygun düzeyde ve dengede kullanın.** Bu, beklenmedik durumlarda elektrikli aleti daha iyi kontrol etmenizi sağlar.
- **Uygun giyinin. Bol giysiler giymeyin ve takı takmayın. Saçlarınızı ve giysinizi hareketli parçalardan uzak tutun.** Gevşek kıyafetler, takılar veya uzun saç hareketli parçalara takılabilir.
- **Cihazların toz toplayıcı bağlantıları bulunuyorsa bunların doğru şekilde bağlandığı ve kullanıldığından emin olun.** Toz toplayıcıların kullanımı tozlardan dolayı meydana gelen kazaları azaltabilir.

Elektrikli Alet Kullanımı ve Bakımı

- **Aşırı zorlamadan kullanın. Uygulamanıza uygun elektrikli aleti kullanın.** Doğru elektrikli alet, tasarlandığı oranda daha iyi ve daha güvenli bir iş yapar.
- **Anahtar elektrikli aleti açıp kapatmıyorsa aleti kullanmayın.** Anahtarı çalışmayan elektrikli alet tehlikelidir ve tamir edilmesi gerekir.

- **Herhangi bir ayarlama, aksesuar değişimi veya elektrikli aletin depoya kaldırılması öncesinde fişini güç kaynağından ve/veya akü paketini elektrikli aletten ayırın.** Bu tür güvenlik önlemleri elektrikli makinelerin kazayla çalıştırılması ihtimalini azaltır.
- **Kullanmadığınız elektrikli aletlerinizi çocukların uzanamayacağı yerlerde saklayın ve elektrikli aletleri kullanma deneyimi olmayan ya da bu talimatlardan habersiz kişilerin kullanmalarına izin vermeyin.** Elektrikli aletler eğitimsiz kullanıcıların ellerinde tehlikelidir.
- **Elektrikli aletlerin bakımlarını yapın. Elektrikli aletin çalışmasını etkileyecek yanlış ayarlama ya da hareketli parçaların yanlış bağlanması, parçaların kırılması ve diğer durumlara karşı kontrol edin. Elektrikli aletiniz hasar görmüşse kullanmadan önce onarımını yaptırın.** Birçok kaza bakımsız elektrikli aletlerden kaynaklanır.
- **Kesme makinelerini keskin ve temiz tutun.** Uygun şekilde bakımı yapılmış keskin uçlu aletlerin takılıp kalma olasılığı düşüktür ve kontrolleri daha kolaydır.
- **Elektrikli aletleri, aksesuarları ve aletlerin uçlarını vb. bu talimatlara uygun şekilde, çalışma koşullarını ve yapılacak işi göz önünde bulundurarak kullanın.** Elektrikli aletin tasarlandığı uygulama dışında kullanılması tehlikeli durumlara sebep olabilir.

Servis

- **Elektrikli aletinizin onarımını yetkili tamircilere sadece orijinal yedek parçaları kullanarak yaptırın.** Bu, elektrikli aletin güvenliğinin devamlılığını sağlayacaktır.

Özel Güvenlik Bilgileri

⚠ UYARI

Bu bölüm makineye özel önemli güvenlik bilgileri içerir.

Elektrik çarpması veya diğer ciddi yaralanma risklerini azaltmak için 700 Elektrikli El Paftasını kullanmadan önce bu önlemleri dikkatlice okuyun.

TÜM UYARI VE TALİMATLARI GELECEKTE BAŞVURMAK ÜZERE SAKLAYIN!

Operatörün kullanması için bu kılavuzu makinenin yanında bulundurun.

Elektrikli El Paftası Güvenliği

- **Bu makinenin doğru kullanımına ilişkin talimatlara uyun. Elektrikli el paftasını çalıştırmadan önce kullanılan tüm ekipmanlar ve malzemeler için talimatları ve uyarıları okuyun ve anlayın.** Talimatların tümüne uyulmaması maddi hasara ve/veya ciddi kişisel yaralanmalara yol açabilir.

- **1" (25mm) veya daha büyük boruda dış açarken dış açma kuvvetlerine direnç göstermek için destek cihazı kullanın. Bu talimatlar uyarınca uygun bir destek cihazı kullanın.** Destek cihazları kontrolü iyileştirir ve çarpma, ezilme ve/veya başka yaralanmaların meydana gelme riskini azaltır.
- **Destek kolu dışında bir destek cihazı kullanırken destek cihazının motoruna karşı etki etmesi gerekir.** Diğer parçalara temas eden destek cihazları makine parçalarına zarar verebilir veya yaralanma riskini arttırabilir.
- **Dış açarken veya pafta kafasını borudan dışarı çekerken kullanılan destek cihazından bağımsız olarak dış açma kuvvetlerine karşı direnç göstermek için elektrikli el paftasını daima sağlam bir şekilde tutun.** Bu, çarpma, ezilme ve başka yaralanma riskini azaltacaktır.
- **Anahtar düğmesi bozuksa bu elektrikli el paftasını kullanmayın.** Bu anahtar, anahtarı bırakarak motoru kapatmanıza olanak tanıyan bir emniyet cihazıdır.
- **Makineleri çalıştırırken eldiven takmayın veya bol kıyafetler giymeyin. Kol düğmelerinizi ve ceketinizi ilikleyin. Makinenin veya borunun üzerinden uzanmayın.** Kıyafetler boruya veya makineye takılıp dolanmaya neden olabilir.
- **Bir kişi çalışma sürecini ve makine işletimini kontrol etmelidir.** Makine çalışırken çalışma alanında yalnızca operatör bulunmalıdır. Bu, yaralanma riskini azaltmaya yardımcı olur.
- **Kör veya hasarlı paftaları kullanmayın.** Keskin kesme aletleri daha az tork gerektirir ve elektrikli el paftasını kontrol etmek daha kolaydır.
- **Sapları kuru ve temiz; yağ ve gresten arındırın.** Bu, aleti daha iyi kontrol etmenizi sağlar.
- **Yerleri kuru tutun ve yağ gibi kayganlaştırıcı maddelerden arındırın.** Kaygan zeminler kazalara yol açabilir.
- **RIDGID 700 Elektrikli El Paftası ile sadece RIDGID pafta kafalarını kullanın, diğer pafta kafaları elektrikli el paftasına düzgün şekilde oturmayabilir ve ekipmanın zarar görmesi ve kişisel yaralanma riskini arttırır.**
- **Bu kılavuzda belirtilen dışında uygulamalarda kullanırken, sap kuvvetlerine direnç göstermek için bir destek cihazı kullanın.** Destek cihazları kontrolü iyileştirir ve çarpma, ezilme ve/veya başka yaralanmaların meydana gelme riskini azaltır.

Bu RIDGID® ürünü ile ilgili sorularınız için:

- Bulduğunuz bölgedeki RIDGID® bayisi ile iletişim kurun.
- Yerel RIDGID irtibat noktanızı bulmak için RIDGID.com adresini ziyaret edin.
- Ridge Tool Teknik Servis Departmanı ile rtctechservices@emerson.com adresinden veya ABD ve Kanada'da (800) 519-3456 telefon numarasını aramak suretiyle temas kurun.

Açıklama, Teknik Özellikler ve Standart Ekipman

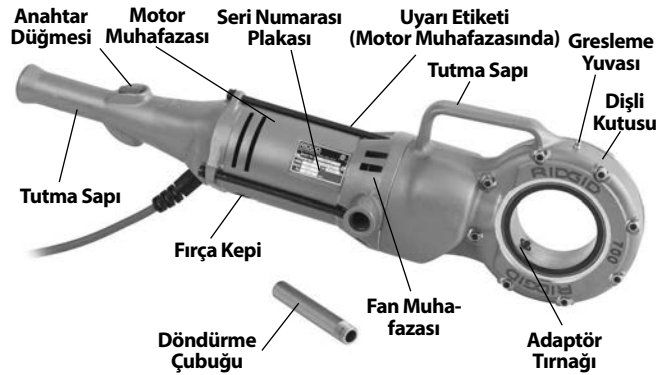
Açıklama

RIDGID® Model 700 Elektrikli El Paftası boru ve kanal dış açma işlemlerine güç sağlama amacıyla tasarlanmıştır. Tersinir anahtar ile İleri ve Geri yönde dönüş seçilebilir.

Elektrikli el paftası RIDGID 12-R Pafta Kafalarını (1/8" – 2" boru) kullanmak üzere tasarlanmıştır. OO-R ve 11-R gibi diğer RIDGID pafta kafaları adaptörler ile birlikte kullanılabilir.

1" veya daha büyük boruda dış açarken, dış açma kuvvetlerine direnç göstermek için No. 775 Destek Kolu veya bir RIDGID 14" ağır görev boru anahtarı gereklidir.

Elektrikli el paftası ayrıca RIDGID 258 Boru Makası ve diğer uygulamalara güç vermek için de kullanılabilir, (Bkz. "Diğer Kullanımlar").



Şekil 1 - Model 700 Elektrikli El Paftası

Teknik Özellikler

Dış Açma KapasitesiBoru 1/8" - 2" (3 - 50 mm)
Cıvata 1/4" - 1" (6 - 25 mm)
OO-RB Pafta Kafası ile

Motor:

Tip.....	Üniversal, Tersinir		
Voltaj.....	110	120	220-240
Amper.....	13,5	13,5	6,5
Frekans.....	50/60 Hz	50/60 Hz	50/60 Hz
Güç.....	1500	1500	1500
Çalışma Hızı.....	26-30 RPM, Yüksüz		

Kumandalar.....KAPALI konuma yay dönüşlü İkili Tersinir Anahtar

Dişli BaşlıBasıncılı Alüminyum Döküm, Düz Dişli Redüksiyonu Ön Tahrik Dişlisi, Yay Yüklü Adaptör Tırnakları, Sertleştirilmiş Çelik Millî Dişli

Boyut:

Uzunluk.....	28¼" (717 mm)
Genişlik.....	6¼" (154 mm)
Yükseklik.....	7¼" (198 mm)
Ağırlık.....	25 lbs. (11 kg)
Ses Basıncı (L _{PA})**.....	98,4 dB(A), K=3
Ses Gücü (L _{WA})**.....	107 dB(A), K=3
Titreşim**.....	2,5 m/s ² , K=1,5

* Spesifik makinenizin motor bilgisi için makine seri numarası plakasına bakın – Başka versiyonlar mevcut.

** Ses ve titreşim ölçümleri Standart EN 62481-1 uyarınca standartlaştırılmış bir test ile yapılır.

- Titreşim seviyeleri, diğer araçlarla kıyaslama ve maruz kalmanın ön değerlendirmesi için kullanılabilir.

- Ses ve titreşim emisyonları bulunduğunuz yere ve bu aletlerin özel kullanımına bağlı olarak değişebilir.

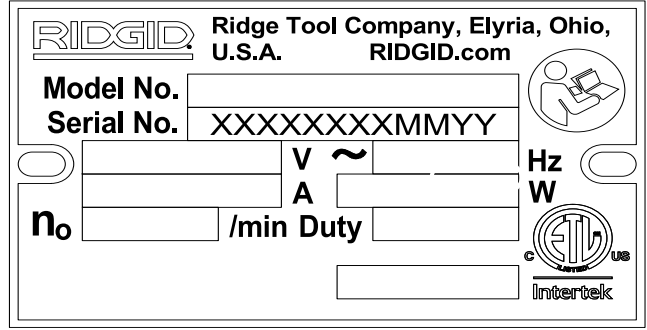
- Ses ve titreşim için günlük maruz kalma seviyeleri her uygulama için değerlendirilmeli ve gerektiğinde uygun güvenlik önlemleri alınmalıdır. Maruz kalma seviyelerinin değerlendirilmesinde, bir alet kapalı olduğu ve kullanılmadığı zamanlar da dikkate alınmalıdır. Bu, toplam çalışma süresince maruz kalma düzeyini önemli ölçüde azaltabilir.

Standart Ekipman

Model 700 Elektrikli El Paftası aşağıdaki öğelerle birlikte gelir:

- 700 Elektrikli El Paftası
- Döndürme çubuğu
- Destek Cihazı
- Kullanma Kılavuzu

700 Elektrikli El Paftası makine seri numarası plakası motor muhafazasının dip kısmına yerleştirilir. Son 4 hane üretim ayını ve yılını gösterir. (12 = ay, 15 = yıl).



Şekil 2 – Makine Seri Numarası

BİLDİRİM Uygun malzeme ve tesisat, birleştirme ve kalıp yöntemlerinin seçimi sistem tasarımcısı ve/veya tesisatçının sorumluluğundadır. Uygun olmayan malzeme veya yöntemlerin kullanılması sistemin arızalanmasına neden olabilir.

Paslanmaz çelik ve diğer paslanmaya karşı dirençli malzemeler montaj, birleştirme ve kalıplama sırasında kirlenmeye maruz kalabilir. Bu kirlenme, paslanmaya ve makinenin ömrünün kısalmasına yol açabilir. Malzemelerin ve kimyasal ve sıcaklık dahil belirli servis koşullarına özgü yöntemlerin dikkatli bir şekilde değerlendirme işlemi herhangi bir montaj işine başlamadan önce tamamlanmalıdır.

Kullanım-Öncesi Kontrol

⚠ UYARI



Elektrik çarpması, üzerine düşme sonucu oluşan yaralanmaları ve diğer vakalar nedeniyle ciddi yaralanma riskini azaltmak ve 700 Elektrikli

EL Paftanızın hasar görmesini önlemek için her kullanım öncesinde elektrikli el paftanızı kontrol edin ve her türlü sorunu giderin.

1. Elektrikli el paftasının fişinin çekildiğinden emin olun.
2. Saplar ile kumandalar dahil elektrikli el paftası ve destek cihazından her türlü yağ, gres veya kiri temizleyin. Bu, incelemeyi kolaylaştırır ve makinenin veya kontrolün elinizden kaymasını önlemeye yardımcı olur.
3. Elektrikli el paftasını aşağıdakiler açısından kontrol edin:
 - Kablo ve fişte hasar veya değişiklik.
 - Doğru montaj, bakım ve eksiksizlik kontrolü yapın.
 - Hasarlı, hizası bozulmuş veya yapışmış parçalar.
 - Anahtarın düzgün çalışması. Düzenli bir şekilde döndüğünü ve sıkışmadığını doğrulayın.
 - Uyarı etiketinin varlığı ve okunurluğu (Şekil 3).
 - Güvenli ve normal çalışmayı etkileyebilecek başka her türlü durum.

Herhangi bir sorun bulunursa sorunlar çözülmünceye kadar elektrikli el paftasını veya destek cihazını kullanmayın.

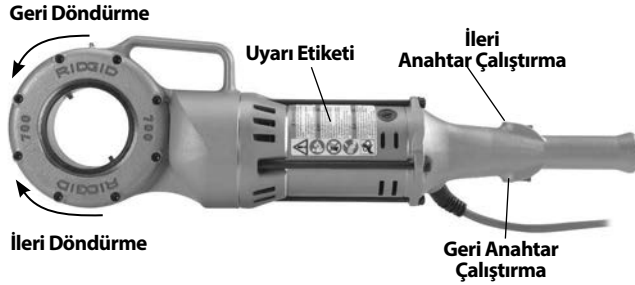
4. Destek kolunu kontrol edin. Kavrama dişlerinin temiz ve iyi durumda olması. Dişler, bir tel fırçayla temizlenebilir.
5. Paftaların kesme kenarlarını aşınma, deformasyon, soyulma ve başka sorunlar açısından inceleyin. Kör veya hasarlı kesme aletleri, gerekli kuvvet miktarını artırır, düşük kalite dişler üretir ve yaralanma riskini artırır.
6. Diğer donanımın talimatlara uygun kullanıldıklarından, böylelikle düzgün çalıştıklarından emin olun.
7. **Hazırlama ve Çalıştırma** talimatlarını takip ederek elektrikli el paftasını doğru çalışma açısından kontrol edin.

- İLERİ dönüş için anahtara basın ve bırakın ve bunu GERİ dönüş için tekrarlayın bkz. Şekil 3. Elektrikli el paftasının Şekil 3 üzerinde gösterildiği gibi döndüğünü ve anahtarın makine çalışmasını kontrol ettiğini doğrulayın.

Anahtar düğmesi ile yönü tersine çevirmeden önce elektrikli el paftasının tamamen durmasını bekleyin. Bu, elektrikli el paftası hasar riskini azaltmaya yardımcı olacaktır.

- Anahtar düğmesine basın ve basılı tutun. Hareketli parçaları yanlış hizalama veya yanlış bağlama, tuhaf sesler veya diğer olağan dışı durumlara karşı kontrol edin. Anahtarı serbest bırakın.

Makine düzgün çalışmıyorsa veya herhangi bir olağan dışı koşul bulunursa, onarılanaya kadar makineyi kullanmayın.



Şekil 3 – Dönüş Yönü için Anahtar Konumu

8. Anahtar düğmesini serbest bırakın ve kuru ellerle makineyi fişten çekin.

Hazırlama ve Çalıştırma

⚠ UYARI



Elektrik çarpması, dolanma, çarpma, ezilme ve başka sebepler kaynaklı yaralanma riskini azaltmak ve başka elektrikli el paftası hasarlarını önlemeye yardımcı olması için 700 Elektrikli El Paftasını bu prosedürlere göre hazırlayıp çalıştırın.

1" (25mm) veya daha büyük boruda diş açarken diş açma kuvvetlerine direnç göstermek için destek cihazı kullanın. Bu talimatlar uyarınca uygun bir destek cihazı kullanın. Destek cihazları kontrolü iyileştirir ve çarpma, ezilme ve/veya başka yaralanmaların meydana gelme riskini azaltır.

Diş açarken veya pafta kafasını borudan dışarı çekerken kullanılan destek cihazından bağımsız olarak diş açma kuvvetlerine karşı direnç göstermek için elektrikli el paftasını daima sağlam bir şekilde tutun. Bu, çarpma, ezilme ve başka yaralanma riskini azaltacaktır.

Boruyu uygun şekilde destekleyin. Bu, düşen boru, devrilme ve ağır yaralanma riskini azaltacaktır.

Bir elektrikli el paftasını düzgün çalışmayan bir anahtar düğmesi ile kullanmayın.

Makineleri çalıştırırken eldiven takmayın veya bol kıyafetler giymeyin. Kol düğmelerinizi ve ceketinizi ilikleyin. Makinenin veya borunun üzerinden uzanmayın. Kıyafetler boruya veya makineye takılıp dolanmaya neden olabilir.

Çalışma sürecini ve anahtar düğmesini sadece bir kişi kontrol etmelidir. Birden fazla kişi ile kullanmayın. Dolaşma durumunda, anahtarın kontrolü operatörde olmalıdır.

1. Çalışma alanını aşağıdakiler açısından kontrol edin:
 - Yeterli ışıklandırma.
 - Yanıcı sıvılar, alev alabilir buhar veya tozlar. Alanda böyle bir kaynak olması durumunda tanımlayıp düzeltene kadar çalışma yapmayın. Elektrikli el paftaları patlamaya dayanıklı değildir ve kıvılcımlara neden olabilir.
 - Tüm ekipman ve operatör için temiz, düz, sabit ve kuru bir yer olmalıdır.
 - İyi havalandırma. Küçük ve kapalı alanlarda uzun süre kullanmayın.
 - Doğru voltaja sahip düzgün bir şekilde bağlanmış elektrik prizi. Emin olmadığınız durumlarda prizi yetkili bir elektrik teknisyenine kontrol ettirin.

- Elektrik prizine giden, elektrik kablosuna zarar verebilecek herhangi bir engelin olmadığı açık bir güzergâh.
2. Dış açılacak boruyu ve ilgili bağlantıları inceleyin ve seçilen 700 Elektrikli El Paftasının, iş için doğru alet olduğunu teyit edin. *Teknik Özelliklere bakın.*

Başka uygulamalar için ekipman Ridge Alet katalogunda, çevrimiçi olarak RIDGID.com adresinde veya ABD ve Kanada'da (800) 519-3456 numaralı telefondan Ridge Aletleri Teknik Servisini arayarak bulunabilir.
 3. Kullanılacak ekipmanın doğru şekilde incelendiğinden emin olun.
 4. Boruyu gereken şekilde hazırlayın. Borunun kare şekilde kesildiğinden ve çapaklarının temizlendiğinden emin olun. Borunun açılı bir şekilde kesilmesi dış açarken paftalara hasar verebilir ve pafta kafasının kenetlenmesinde zorluk çıkarabilir.
 5. Kullanım sırasında devrilmeyi önlemek için dış açılacak borunun dengeli ve sabitlenmiş olduğundan emin olun. Boru uzunluğunu desteklemeye uygun boru stantları kullanın.
 6. RIDGID 418 yağlayıcıdaki RIDGID Dış Kesme Yağının seviyesini kontrol edin. Parçacık tablasını çıkarın ve filtre süzgecinin temiz olduğunu ve tamamen yağa battığını teyit edin. Gerekirse yağı değiştirin veya yağ ilave edin. 418 Yağlayıcı kepeğini dış açılacak boru ucunun altına yerleştirin.

Pafta Kafalarının Takılması

1. Elektrikli el paftasının prizden çekili olduğundan emin olun.
2. 12-R Pafta Kafasını veya Adaptörü (*bkz. Opsiyonel Ekipman*), yivli ucu önce olacak şekilde, dümdüz Elektrikli EL Paftasına yay yüklü adaptör tırnakları yive emniyetli bir şekilde geçene kadar itin. (*Şekil 4*). Pafta kafası veya adaptör elektrikli el paftasının her iki tarafına da takılabilir. Bazı durumlarda, pafta kafalarının/adaptörlerin tırnağın geçmesine izin vermek için döndürülmeleri gerekebilir. 770 ve 773 adaptörlerinde Elektrikli El Paftasına takılmadan önce pafta kafasının adaptöre takılı olması gerekir.
3. Çıkarmak için pafta kafasını elektrikli el paftasından dümdüz dışarı çekin. Gerekirse pafta kafasını dışarı çıkarmak için yumuşak uçlu bir çekiç veya bir ahşap blok kullanın. Pafta kafasına vurmayın, alete hasar verebilir.



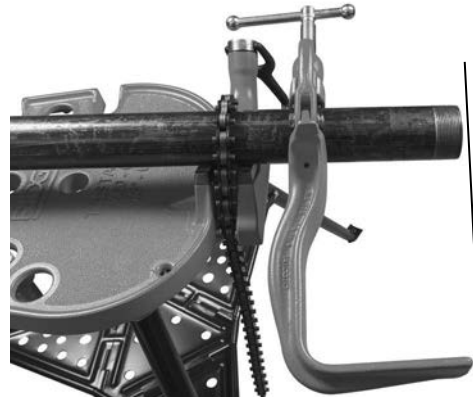
Şekil 4 – Pafta Kafalarının 700 Elektrikli El Paftasına Takılması

Dış Açma Kuvvetlerine Dayanma (Destek Cihazları)

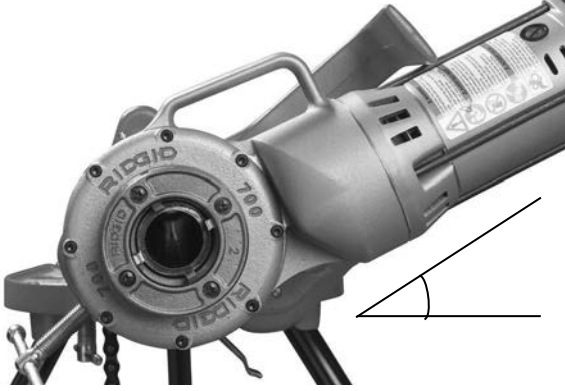
Sağdan açılan dişlerde pafta kafası saat yönünde döner (Pafta Kafasının ön tarafına bakarken). Dış açma torkunun oluşturduğu kuvvetler karşı veya saatin tersi yönde olacaktır. Dönüş ve kuvvet, soldan açılan dişlerde ters olacaktır. Destek cihazının, dış açma kuvvetine dayanacak ve emecek şekilde hazırlandığından emin olun.

No. 775 Destek Kolunun kullanılması:

1. Destek kolu çatal kancası her iki tarafa da monte edilebilir. Menteşe civatasını emniyetli bir şekilde sıkın.
2. Destek kolunu boru üzerine, destek kolu borunun ucuna hizalı olacak şekilde konumlandırın (*Şekil 5 ve 6*). Bu destek kolunu dış açma için düzgün şekilde yerleştirir ve dış kesme yağının elektrikli el paftasından aşağı doğru akmasını önler.
3. Destek kolu çenelerinin boruyla düz bir şekilde hizalandığından emin olun ve destek kolunu sağlam bir şekilde sıkın.



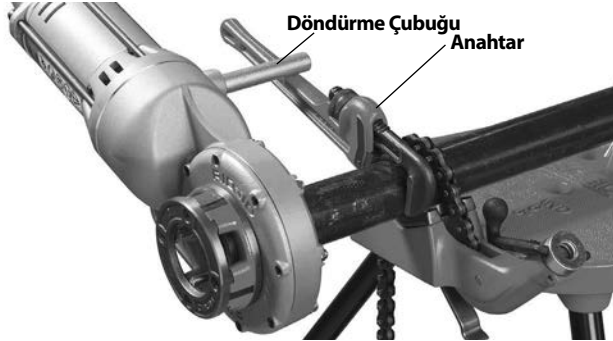
Şekil 5 – Destek Kolu Borunun Ucu ile Hizalanmış



Şekil 6 – Destek Kolu 700 Elektrikli El Paftası Yatay Olarak Hafifçe Yukarıda Olacak Şekilde Konumlandırılmış

Bir RIDGID 12", 14" veya 18" Ağır Görev Boru Anahtarı kullanarak:

1. Döndürme çubuğunu 700 Elektrikli El Paftasının fan muhafazasına emniyetli bir şekilde takın. ½" NPT dişlere sahip ½" tarife 80 çelik borunun 5" (127 mm) uzun parçası da kullanılabilir.
2. RIDGID 12", 14" veya 18" Ağır Görev Boru Anahtarını borunun ucundan yaklaşık 7" (175 mm) uzağa yerleştirin (bkz. Şekil 7). Anahtarın emniyetli olduğunu ve düşmeyeceğini veya hareket etmeyeceğini onaylamak için test edin.
3. Diş açmaya başlarken, döndürme çubuğu boru anahtarı sapı üzerine oturacaktır.



Şekil 7 – Boru Anahtarını Destek Kolu Gibi Kullanarak Diş Açma

Diğer Destek Yöntemleri:

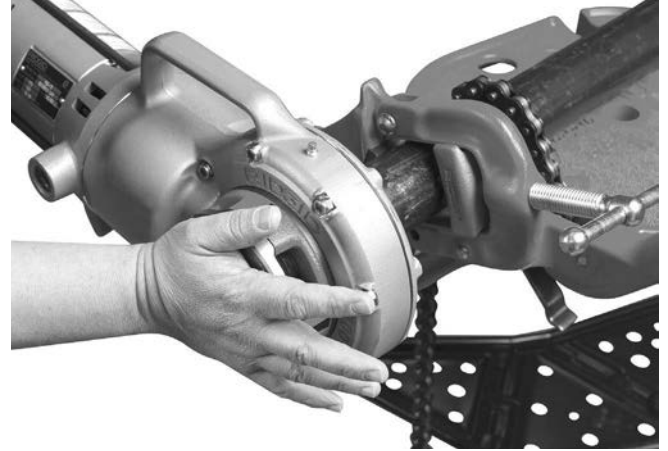
Elektrikli el paftası motor muhafazasını (bkz. Şekil 1) bitişikteki bir yapısal elemana (örneklere duvarlar, kirişler ve mafasallar dahildir) bakacak şekilde yerleştirin. Bu da diş açılan borunun ve çevresindekilerin aletin ağırlığı ile diş açma kuvvetlerine dayanabilmesini gerektirir. Diş açma kuvvetlerine düzgün şekilde direnç gösterebilmek için geçici veya kalıcı boru destekleri veya yapısal elemanlar eklemek gerekebilir.

¾" çapında veya daha küçük boru için:

¾" ve daha küçük nominal boyutta boruya, bir destek cihazı kullanmadan diş açılabilir. Bu durumda diş açma kuvvetlerine operatör karşı koyar. Dönüşü önlemek için borunun uygun şekilde sabitlenmesi gerekir. Diş açarken veya pafta kafasını borudan dışarı çekerken kuvvetlere karşı direnç göstermek için elektrikli el paftasını daima sağlam bir şekilde tutun. Bu, çarpma, ezilme ve başka yaralanma riskini azaltacaktır.

Diş açma

1. Kuru ellerle elektrikli el paftası fişini takın.
2. Pafta kafasını borunun üzerine yerleştirin ve elektrikli el paftasını Diş Açma Kuvvetlerine Dayanma Bölümünde yönlendirildiği şekilde destekleyin. Elektrikli el paftasını her zaman destek cihazına bakacak şekilde tutun. Elektrikli el paftası ve destek cihazı arasına herhangi bir şey koymayın, bu sıkışma ve ezilme nedeniyle yaralanma riskini artırır.
3. Makinenin kontrolünü korumak için düzgün bir çalışma konumu sağlayın (bkz. Şekil 9),
 - İyi bir dengeye sahip olduğunuzdan ve aşırı uzanmak zorunda olmadığınızdan emin olun.
 - Anahtar düğmesini ve makineyi kontrol edebildiğinizden emin olun. Henüz anahtara basmayın. Acil bir durumda, anahtarı serbest bırakabilmelisiniz.



Şekil 8 – Diş Açmaya Başlama

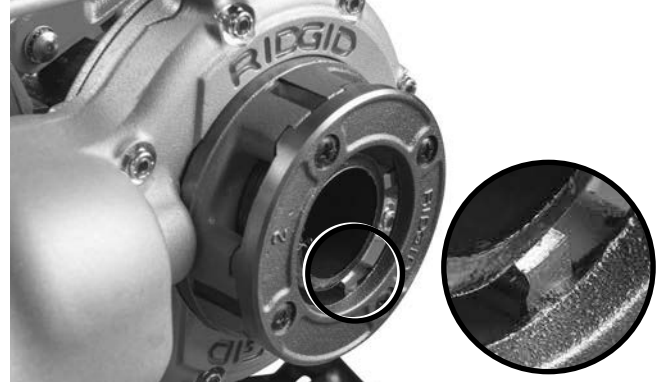
4. Diş açmayı başlatmak için eş zamanlı olarak anahtar düğmesini çalıştırın (bkz. Şekil 3) ve boştaki elinizin avucu ile pafta kafası kapağı plakasına bastırın (Şekil 8). Kapak plakasını iterken eldiven ve takı takmayın veya bir bez kullanmayın - bu, dolanma ve yaralanma riskini artırır. Pafta boruya kenetlendiğinde paftalar kendilerini boru ucunun üzerine çekerken dişler kesilecektir.

Sap kuvvetlerine direnç göstermek için elektrikli el paftası sapını daima sağlam bir şekilde tutun. Destek cihazları kayarak elektrikli el paftasının hareket etmesine neden olabilir. Elektrikli el paftasını KAPALI KONUMA çevirmek için anahtar düğmesini herhangi bir anda bırakılabilir.



Şekil 9 – Boruya Diş Açılması

5. Kapak plakasını itmeyi bırakın ve diş açılacak alana bol miktarda RIDGID Diş Kesme Yağı sürmek üzere yağlayıcıyı kullanın. Bu, diş açma torkunu düşürecek, diş kalitesini iyileştirecek ve pafta ömrünü uzatacaktır.
6. Borunun ucu paftaların kenarı ile eşit olana kadar anahtarı basılı tutun (Şekil 10). Elektrikli El Paftasının destek cihazına çarpmadığından emin olmak için gözleyin. Anahtar düğmesini serbest bırakın. Elektrikli el paftasının tamamen durmasını bekleyin.

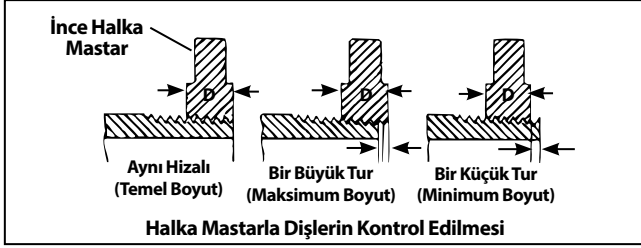


Şekil 10 – Paftanın Kenarıyla Hizalı Boru

7. Pafta kafasını dış açılan borudan çıkartmak için anahtar düğmesini ters yönde çalıştırın. Diş açma parçacıklarını kırarken ve pafta kafasını geri çekerken oluşan sap kuvvetlerine direnç göstermek için elektrikli el paftası sapını daima sağlam bir şekilde tutun.
8. Anahtarı bırakın ve elektrikli el paftası ile pafta kafasını borudan çıkarın.
9. Kuru ellerle elektrikli el paftası fişini çıkarın.
10. Keskin tozlar veya kenarlarla kendinizi kesmemeye dikkat ederek dişlerden ve pafta kafasından yağ ve tozları silin. Çalışma alanına dökülen yağları temizleyin.

Dişlerin İncelenmesi

1. Dişten yağ, parçacık veya tozları temizleyin.
2. Dişi gözle inceleyin. Dişler iyi bir şekilde pürüzsüz ve eksiksiz olmalıdır. Diş yırtılması, ince dişler veya borunun ovalleşmesi gibi sorunlar gözlemlenirse işlem bittiğinde diş sızdırmazlık sağlamayabilir. Bu tür sorunlarda arıza teşhisinde yardım için "Sorun Giderme" tablosuna bakın.
3. Dişin boyutunu inceleyin. Diş boyutunu kontrol etmede tercih edilen yöntem, bir halka master kullanmaktır. Çok çeşitli halka master stilleri vardır ve kullanımları Şekil 11 üzerinde gösterilenden farklı olabilir.
 - Halka mastarı elle sıkarak diş üzerine vidalayın.
 - Boru ucunun halka mastarda ne kadar ilerlediğine bakın. Borunun ucu, eksi veya artı bir tur mastarın yan tarafıyla aynı hizada olmalıdır. Diş doğru ölçülmezse diş kesin, pafta kafasını ayarlayın ve başka bir diş kesin. Doğru ölçüde olmayan bir diş kullanılması, kaçaklara neden olabilir.



Şekil 11 – Diş Boyutunun Kontrol Edilmesi

- Diş boyutunu incelemek için bir halka master yoksa diş boyutunu ölçmek için işte kullanılanların temsili yeni bir temiz bağlantı kullanmak mümkündür. 2" ve NPT altı dişlerde, dişler bağlantıyla elle sıkarak kenetleme için 4 ila 5 tur ve 2" ile BSPT altı dişler için 3 tur elde edecek şekilde kesilmelidir.

700 Elektrikli El Paftası – Diğer Kullanımlar

Bu kılavuz çeşitli RIDGID pafta kafaları ile diş açmak için 700 Elektrikli EL Paftasının kullanımı hakkında spesifik talimatları içerir. Başka RIDGI ekipmanı (RIDGID 258/258XL Elektrikli Boru Makası gibi) ile kullanıldığında RIDGID ekipmanı ile birlikte tedarik edilen doğru hazırlama ve kullanım hakkındaki talimatları ve uyarıları izleyin.

Ridge Tool, 700 Elektrikli El Paftasının her bir muhtemel kullanımı için spesifik talimatlar sağlayamaz. Kullanıcı spesifik iş senaryosunu değerlendirmeli ve iyi çalışma pratikleri ve yöntemleri kullanılmalıdır. 700 Elektrikli El Paftasının bu amaçlarla kullanımı için herhangi bir şüpheniz varsa, kullanmayın.

700 Elektrikli El Paftasını başka amaçlarla kullanıyorsanız, aşağıdaki genel önerileri kullanarak dikkatli bir şekilde değerlendirin ve işi için hazırlanın. 700 Elektrikli El Paftası yüksek tork sağlayacak ve buna bağlı olarak çarpma ve ezilme yaralanmalarına neden olabilecek yüksek sap kuvvetlerine neden olacaktır.

- RIDGID 774 Kare Pafta Adaptörü 700 Elektrikli EL Paftasını bir erkek $\frac{1}{4}$ " kareye uyarlamak için kullanılabilir. Kullanım sırasında ayrılmasını önlemek için adaptörü emniyetli bir şekilde takın.
- Tüm sap kuvvetlerine direnç gösterebilecek uygun bir yöntem geliştirilmelidir (Bkz. "Dirençli Sap Kuvvetleri" bölümü). Kuvvetler 1000 lbs (455 kg) değerini aşabilir. Destek cihazları 700 Elektrikli El Paftasının motor muhafazasına veya fan muhafazasına bakacak şekilde yerleştirilebilir (Şekil 1).
- Elektrikli el paftasını her zaman destek cihazına bakacak şekilde tutun, elektrikli el paftası ve destek cihazı arasına vücudunuzun herhangi bir parçasını yerleştirmeyin.

- Kullanım sırasında elektrikli el paftası ve destek cihazı arasında hiçbir bağlı hareket olmamalıdır.
- Uygulamanın (bir valfi çalıştırma veya alıştırma) serbestçe döndüğünü, sıkışmadığını ve hareketinin bitiş noktalarının bilindiğini doğrulayın. Sistem sıkışır veya kullanım sırasında sertleşirse, sap kuvvetleri ansızın ve belirgin şekilde artar veya elektrikli el paftası dönmeyi durdurabilir.
- Valfleri veya diğer ekipmanları alıştırmak veya çalıştırmak için kullanılıyorsa, tüm ekipman üreticisi talimatlarını izleyin. Ekipmanı aşırı yüklemeyin.
- 700 Elektrikli El Paftası tepki kuvvetlerinin kullanıcıdan uzağa doğru içeceği şekilde kullanın.
- Elektrikli el paftasını kapatmak için istediğiniz zaman anahtar düğmesini serbest bırakın. Anahtar düğmesini serbest bırakabileceğinizden emin olun.

Bakım Talimatları

⚠ UYARI

Herhangi bir bakım veya ayar yapmadan önce anahtar düğmesinin bırakıldığından ve makine ve fişinin çekili olduğundan emin olun.

Elektrik çarpması, dolaşma ve diğer sebeplerden kaynaklanabilecek yaralanma riskini azaltmak için bu talimatlara uygun bakım yapın.

Temizleme

1. Her kullanımdan sonra 418 Yağlayıcı parçacık tablasından diş açma parçacıklarını boşaltıp yağ artıklarını silin.
2. Saplar ile kumandalar dahil elektrikli el paftasından her türlü yağ, gres, parçacık veya kiri temizleyin.
3. Destek kolundan her türlü yağ, gres veya kiri temizleyin. Gerekirse destek kolu çenelerini bir tel fırça ile temizleyin.
4. Pafta kafalarından parçacıkları ve kiri temizleyin.

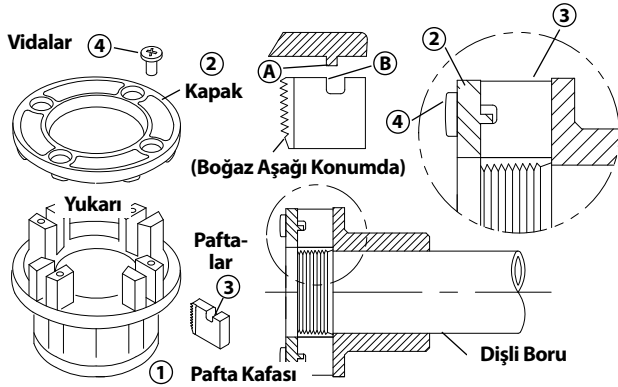
Yağlama

Dişli yuvasında sağlanan gresleme yuvalarından bir Lityum EP (Aşırı Basınç) gres eklemek için bir gres tabancası kullanın (bkz. Şekil 1) makinenin kullanıma bağlı olarak her 3 - 6 ayda bir tekrarlayın.

12-R Pafta Kafalarındaki Paftaların Değiştirilmesi

RIDGID 12- R Pafta Kafalarına takmak için çeşitli paftalar mevcuttur. Seçenekleri görmek için kataloga bakın.

1. Dört vidayı (4), kapak plakasını (2) ve paftaları (3) pafta kafasından çıkartın.
2. Yeni pafta kafalarını numaralı kenar (1,2,3,4) yukarıda olacak şekilde yuvalara takın. Paftalardaki rakamlar, pafta kafası yuvalarındakilere eşleşmelidir. Paftaları da-ima set olarak değiştirin.
3. Kapak plakasını (2) ve vidaları (4) takın ve vidaları hafifçe sıkın.
4. Bir dişli boru ucunu diş açma başlayana kadar paftalara doğru bastırın. Bu, kapak plakası üstünde tırnağa "A" karşı paftalardaki stoperi "B" dışa doğru iter ve boyutu doğru şekilde ayarlar.
5. Dört vidayı sağlam şekilde sıkın. Dişli boruyu çıkarıp bir test kesimi yapın.



Şekil 12 – Paftaların Pafta Kafasına Takılması

Motordaki Fırçaların Değiştirilmesi

Motor fırçalarını her 6 ayda bir kontrol edin. ¼" (6 mm) altında aşındıklarında değiştirin.



Şekil 13 – Fırçanın Takılması

1. Makineyi güç kaynağından ayırın.
2. Fırça keplerini gevşetin. Fırçaları çıkarıp inceleyin. ¼" (6 mm) altında aşındıklarında değiştirin. Komütatörü aşınma açısından kontrol edin. Aşırı derecede aşınmışsa makineyi servise gönderin.

3. Fırçaları geri takın/yeni fırçalar takın.
4. Kullanmadan önce fırçaların komütatöre oturmasını sağlamak için üniteyi rölantide 15 dakika ileri yönde, ardından 15 dakika geri yönde çalıştırın.

İsteğe Bağlı Ekipman

⚠ UYARI

Ciddi yaralanma riskini azaltmak için aşağıda listelenenler gibi sadece 700 Elektrikli EL Paftası için özel tasarlanan ve önerilen ekipmanları kullanın.

Katalog No.	Açıklama
42600	00-R (½" – 1") ve 00-RB (¼" – 1") için 770 Adaptör
42605	0-R (½" – 1") için 771 Adaptör
42610	11-R (½" – 1¼") için 772 Adaptör
42615	111-R (½" – 1¼") için 773 Adaptör
42620	774 Kare Pafta Adaptörü -15/16"
42625	775 Destek Kolu
46615	Döndürme Çubuğu
42950	B-171-X Metal Taşıma Çantası
10883	1 Galon Premium Diş Açma Yağı ile 418 Yağlayıcı
41620	Dişli Kafalı Motor Gresi

700 Elektrikli El Paftası için mevcut olan alete özgü ekipman hakkında daha fazla bilgi RIDGID Kataloğunda ve çevrimiçi olarak RIDGID.com adresinde bulunabilir.

Makinenin Saklanması

⚠ UYARI 700 Elektrikli EL Paftası, kapalı mekanda tutulmalı veya yağmurlu havalarda iyi şekilde muhafaza edilmelidir. Makineyi, çocukların ve makinelere aşına olmayan insanların ulaşamayacağı kilitli yerlerde saklayın. Bu makine, eğitimsiz kullanıcıların elinde, ciddi yaralanmalara sebep olabilir.

Bakım ve Onarım

⚠ UYARI

Hatalı servis ve tamir makinenin çalışmasını güvensiz kılabilir.

Bakım *Talimatları*, bu makinenin bakım gereksinimlerinin çoğunu karşılayacaktır. Bu bölümde bahsedilmeyen sorunlar sadece yetkili bir RIDGID bakım teknisyeni tarafından ele alınmalıdır.

Alet bir RIDGID Bağımsız Servis Merkezine götürülmeli veya fabrikaya iade edilmelidir. Sadece RIDGID servis parçaları kullanın.

Size en yakın RIDGID Bağımsız Servis Merkezi veya bakım veya onarım ile ilgili bilgi almak için:

- Bulduğunuz bölgedeki RIDGID bayisi ile iletişim kurun.
- Yerel RIDGID irtibat noktanızı bulmak için RIDGID.com adresini ziyaret edin.
- Ridge Tool Teknik Servis Departmanı ile rtctechservices@emerson.com adresinden veya ABD ve Kanada'da (800) 519-3456 telefon numarasını aramak suretiyle temas kurun.

Diş Kesme Yağı Bilgisi

Diş kesme yağı etiketi ve Güvenlik Bilgi Formu (SDS) üzerindeki tüm talimatları okuyun ve bunlara uyun. Tehlike Tanımlaması, İlk Yardım, Yangınla Mücadele, Arıza Giderme Önlemleri, Kullanım ve Saklama, Kişisel Koruyucu Ekipman, Atma ve Taşıma dahil olmak üzere RIDGID Diş Kesme Yağları hakkındaki özel bilgileri kap ve SDS'de mevcuttur. SDS, RIDGID.com adresinden veya ABD ve Kanada'da (800) 519-3456 numaralı telefonda veya rtctechservices@emerson.com adresinden Ridge Tool Teknik Servis Departmanına danışarak temin edilebilir.

Elden Çıkarma

700 Elektrikli El Paftasının parçaları değerli malzemeler içermektedir ve geri dönüşüme tabi tutulmalıdır. Bulduğunuz bölgede geri dönüşüm konusunda uzmanlaşmış şirketler bulunabilir. Parçaları geçerli düzenlemelere göre elden çıkarın. Daha fazla bilgi için yerel yetkili atık yönetimi birimi ile iletişim kurun.



AT Ülkeleri için: Elektrikli cihazları ev atıkları ile birlikte atmayın!

Atık Elektrikli ve Elektronik Cihazlar için Avrupa Yönergesi 2012/19/EU ve yerel mevzuata uygulanmasına göre, kullanılmayacak durumdaki elektrikli cihazlar ayrı olarak toplanmalı ve çevreye zarar vermeyecek şekilde elden çıkarılmalıdır.

Sorun Giderme

PROBLEM	OLASI NEDENLERİ	ÇÖZÜM
Makine çalışmayacaktır.	Fırçalar bobine dokunmuyor.	Fırçaları kontrol edin, aşınmışsa değiştirin.
Makine diş açamayacaktır.	Körelmiş paftalar. Aşınmış veya ovalleşmiş dişler yüzünden aşırı yüklenme. Kötü kaliteli veya yetersiz diş kesme yağı. Yetersiz hat voltajı.	Paftaları değiştirin. Aşağıdaki olası sebeplere bakın. Yeterli miktarda RIDGID diş kesme yağı kullanın. Güç kaynağı voltajını kontrol edin.
İnce dişler.	Fırçalar ile komütatör arasında yetersiz temas Fırçalar komütatöre doğru şekilde temas etmiyor. Farklı üreticilerin fırçaları. Yeni fırçalar.	Fırçaların komütatör üzerine sağlam bir şekilde bastırıldığından emin olmak için fırça keplerini sıkın. Aşınmış fırçaları ve/veya bobini değiştirin. Sadece RIDGID fırçalar kullanın. Üniteyi rölantide 15 dakika ileri ve Geri yönde çalıştırarak fırçaları oturtun.
Pafta Kafası diş açmıyor.	Pafta kafası borunun ucuyla aynı hizada değil. Kenetleme kuvveti pafta kafasına doğru tatbik edilmemiş. Boru ucu düz kesilmemiştir. Körelmiş veya bozuk paftalar. Yanlış yönde çalışan makine. Pafta kafasında yanlış ayarlanan paftalar.	Diş açmaya başlamak için pafta kafası kapak plakasına karşı itin. Borunun merkez çizgisinden kenetleme kuvveti tatbik edin. Boru ucunu düz şekilde kesin. Paftaları değiştirin. Makineyi doğru yönde çalıştırın. Paftaların kapak plakası tırnaklarına karşı dışa doğru ayarlandığından emin olun.
Aşınmış dişler.	Hasarlı, soyulmuş veya aşınmış paftalar. Yanlış veya yetersiz diş kesme yağı. Malzemeye göre yanlış pafta türü. Kötü boru malzemesi/kalitesi.	Paftaları değiştirin. Sadece yeterli miktarda RIDGID® Diş Kesme Yağı kullanın. Uygulamaya uygun yüksek hızlı, paslanmaz çelik veya alaşım paftalar seçin. Yüksek kalitede boru kullanın.
Ovalleşmiş veya Ezilmiş dişler.	Boru duvarı kalınlığı çok ince.	Tarife 40 veya daha yüksek duvar kalınlığı kullanın.
Diş açma esnasında destek cihazı dönüyor.	Destek kolu çeneleri kirli. Destek kolu doğru hizalanmamış. Destek kolu sıkı değil.	Tel fırça ile temizleyin. Destek kolunu boruyla düz şekilde hizalayın. Besleme vidasını sıkın.
İnce Dişler.	Paftalar doğru sıralamada yerleştirilmemiş.	Paftaları pafta kafası yuvasına doğru şekilde yerleştirin.

Электр жетегі

700



⚠ ЕСКЕРТУ!

Осы құралды пайдаланбас бұрын Оператордың нұсқаулығын мұқият оқып шығыңыз. Осы нұсқаулықты дұрыс түсінбеу және қадағаламау электр тогының соғуына, өртке және/немесе ауыр жарақатқа әкелуі мүмкін.

700 электр жетегі

Төмендегі сериялық нөмірді жазып алыңыз және атау тақтасында орналасқан өнімнің сериялық нөмірін сақтап қойыңыз.

Сериялық
нөмір

--	--

Мазмұны

Құрылғының сериялық нөмірін жазу үлгісі.....	329
Қауіпсіздік нышандары.....	331
Жалпы электр құралының қауіпсіздік ескертулері.....	331
Жұмыс аумағының қауіпсіздігі.....	331
Электр қауіпсіздігі.....	331
Жеке қауіпсіздік.....	332
Электр құралын пайдалану және оған күтім көрсету.....	332
Қызмет көрсету.....	332
Арнайы қауіпсіздік ақпараты.....	333
Электр жетегінің қауіпсіздігі.....	333
Сипаттама, техникалық сипаттар және стандартты жабдық.....	333
Сипаттама.....	333
Техникалық сипаттар.....	334
Стандартты жабдық.....	334
Пайдалану алдында тексеру.....	334
Орнату және пайдалану.....	335
Бастиектерді орнату.....	336
Бұрандакесу күшіне қарсы тұру.....	336
Бұранда кесу.....	337
Бұрандаларды тексеру.....	338
700 электр жетегі – Өзге пайдалану.....	339
Техникалық қызмет көрсету нұсқаулары.....	339
Тазалау.....	339
Майлау.....	339
12-R бастиектеріндегі кескіштерді ауыстыру.....	339
Қозғалтқыштағы қылшақтарды ауыстыру.....	340
Қосымша жабдық.....	340
Құрылғыны сақтау.....	340
Қызмет көрсету және жөндеу.....	340
Бұранда кесу майы туралы ақпарат.....	341
Кәдеге жарату.....	341
Ақаулықтарды жою.....	341
ЕО сәйкестік мәлімдемесі.....	Ішкі артқы мұқабасы
Пайдалану мерзіміне берілетін кепілдік.....	Артқы беті

*Түпнұсқа нұсқаулардың аудармасы

Қауіпсіздік нышандары

Бұл пайдалану нұсқаулығындағы және өнімдегі қауіпсіздік нышандары және белгі сөздер маңызды қауіпсіздік ақпаратын жеткізу үшін пайдаланылады. Бұл бөлім осы белгі сөздер мен нышандарды жете түсіну үшін берілген.



Бұл қауіпсіздік ескертуі нышаны болып табылады. Бұл сізге ықтимал дене жарақаты қауіптері жөнінде ескерту жасау үшін пайдаланылады. Ықтимал жарақаттың немесе өлімнің алдын алу үшін осы нышанда берілген барлық қауіпсіздік шараларын сақтаңыз.

▲ ҚАУІП

ҚАУІП алдын алмаған жағдайда өлімге немесе ауыр жарақатқа әкелетін қауіпті жағдайды білдіреді.

▲ ЕСКЕРТУ

ЕСКЕРТУ алдын алмаған жағдайда өлімге немесе ауыр жарақатқа әкелуі мүмкін қауіпті жағдайды білдіреді.

▲ САҚТАНДЫРУ

САҚТАНДЫРУ алдын алмаған жағдайда кішігірім немесе орташа жарақатқа әкелуі мүмкін қауіпті жағдайды білдіреді.

ЕСКЕРТПЕ

ЕСКЕРТПЕ мүлікті қорғауға қатысты ақпаратты білдіреді.



Бұл нышан жабдықты пайдаланбас бұрын пайдалану нұсқаулығын мұқият оқып шығуды білдіреді. Пайдалану нұсқаулығында жабдықты қауіпсіз және тиісті түрде пайдалану туралы маңызды ақпарат бар.



Бұл нышан көзге жарақат келу қаупін азайту үшін осы жабдықты пайдаланғанда, үнемі бүйір қалқалары бар көзәйнекті не көзілдірікті кию керектігін білдіреді.



Бұл нышан қозғалғыш бөлік немесе басқа айналатын бөліктерге немесе арасында саусақтың, қолдың, киімнің және басқа заттардың ілініп қалу және езіп, жарақатқа әкелу қаупін білдіреді.



Бұл нышан электр тогының соғу қаупін білдіреді.



Бұл нышан құрылғының аударылып, соққы немесе езу нәтижесінде жарақатқа әкелу қаупін білдіреді.



Бұл нышан шатысу қаупін азайту үшін осы құрылғыны пайдаланған кезде қолғап кимеу керектігін білдіреді.



Бұл нышан бұрандакесу күшіне қарсы тұру, басқаруды жақсарту және жарақат қаупін азайту үшін үнемі тіреу құрылғысын пайдалану керектігін білдіреді.

Жалпы электр құралының қауіпсіздік ескертулері*

▲ ЕСКЕРТУ

Барлық нұсқауларды оқып шығыңыз және түсініңіз. Төменде көрсетілген барлық нұсқауларды орындамау электр тогының соғуына, өртке және/немесе ауыр жарақатқа әкелуі мүмкін.

КЕЙІНГІ АНЫҚТАМАЛЫҚ РЕТІНДЕ БАРЛЫҚ ЕСКЕРТУЛЕР МЕН НҰСҚАУЛАРДЫ САҚТАП ҚОЙЫҢЫЗ!

Ескертудегі "электр құралы" термині желілік (сымды) электр құралын немесе батареямен жұмыс істейтін (сымсыз) электр құралын білдіреді.

Жұмыс аумағының қауіпсіздігі

- Жұмыс аумағын таза және жарық күйде ұстаңыз. Ыбырсытылған немесе қараңғы орындар жазатайым оқиғаларға әкеледі.
- Электр құралдарын жанғыш сұйықтықтар, газдар немесе шаң бар жарылғыш орталарда пайдаланбаңыз. Электр құралдары шаң не түтінді тұтандыруы мүмкін ұшқындарды түзейді.

- Электр құралын пайдаланған кезде балалар мен жаныңыздағы адамдарды алшақ ұстаңыз. Көңіліңіз бөлінген жағдайда бақылауды жоғалтуыңыз мүмкін.

Электр қауіпсіздігі

- Электр құралының ашалары розеткаға сәйкес келуі керек. Ашаны қандай да бір жолмен өзгертуге болмайды. Адаптер ашаларын жерге қосылған электр құралдарымен пайдаланбаңыз. Жерге қосылған құралдарды барлық талаптар мен ережелерге сәйкес тиісті түрде орнатылған және жерге қосылған розеткаға жалғау керек. Жерге қосу істігін алып тастамаңыз және ашаны қандай да бір жолмен өзгертпеңіз. Розетканың тиісті түрде жерге қосылғанына күдігіңіз болса, білікті электрикпен тексеріңіз. Өзгертілмеген ашалар және жарамды розеткалар электр тогының соғу қаупін азайтады.
- Жерге қосылған не тұйықталған беттерді, мысалы, құбырларды, жылытқыштарды, тізбектерді және тоңазытқыштарды денеңізге тигізбеңіз. Денеңіз жерге тиіп тұрса, электр тогына соғылу қаупі артады.
- Электр құралдарын жаңбыр астында немесе ылғалды жағдайларда ұстауға болмайды. Электр құралына су кірсе, электр тогының соғу қаупі артады.

* Осы нұсқаулықтың Жалпы электр жабдығы қауіпсіздігінің ескертулері бөліміндегі мәтін талапқа сәйкес қолданыстағы UL/CSA 62841-1 стандартынан дәлме-дәл алынған. Бұл бөлімде электр құралдарының көптеген түрлеріне арналған жалпы қауіпсіздік әдістері бар. Әрбір сақтық шара әр құралға қолданыла бермейді және кейбіреуі осы құралға қолданылмайды.

- Сымды теріс жолмен пайдаланбаңыз. Құралды тасу немесе ашаны розеткадан суыру үшін сымды мүлдем пайдаланбаңыз. Сымды қызудан, майдан, өткір жиектерден немесе қозғалатын бөлшектерден алшақ ұстаңыз. Зақымдалған сымдарды дереу ауыстырыңыз. Зақымдалған сымдар электр тогының соғу қаупін арттырады.
- Электр құралын сыртта пайдаланған кезде “W-A” немесе “W” деп белгіленген сыртқы ұзартқыш сымды пайдаланыңыз. Осы сымдар сыртта пайдалануға арналған және электр тогының соғу қаупін азайтады.
- Электр құралын дымқыл орында пайдалануға тұра келсе, жерге қысқа тұйықталу ажыратқышымен (GFCI) қорғалған қуат көзін пайдаланыңыз. GFCI пайдалану электр тогының соғу қаупін азайтады.

Жеке қауіпсіздік

- Сақ болыңыз, не істеп жатқаныңызды бақылаңыз және электр құралын пайдаланған кезде саналы түрде әрекет етіңіз. Шаршаған кезде немесе есірткі, алкоголь немесе дәрі әсерінде болғанда электр құралын пайдаланбаңыз. Электр құралдарын пайдаланған кезде зейіннің бір сәт аууы ауыр дене жарақатына әкелуі мүмкін.
- Жеке қорғаныш жабдығын пайдаланыңыз. Үнемі көзді қорғау құралын киіп жүріңіз. Шаңға қарсы респиратор, таймайтын қорғаныш аяқ киімі, дулыға немесе құлақ тығыны сияқты белгілі бір жағдайларда пайдаланылатын қорғаныш жабдығы дене жарақаттарын азайтады.
- Еріксіз іске қосылудың алдын алыңыз. Қуат көзіне және/немесе батареяға қоспас бұрын, құрылғыны көтеру немесе тасымалдау алдында қосқыштың ӨШІРУЛІ күйінде екеніне көз жеткізіңіз. Электр құралдарын саусақты қосқыштың үстіне қойып тасымалдау немесе қосқышы ҚОСУЛЫ күйіндегі электр құралдарына қуат беру жазатайым жағдайларға әкеледі.
- Электр құралын ҚОСУ алдында реттегіш кілтті алып тастаңыз. Электр құралының айналмалы бөлігіне тіркелген кілт дене жарақатына әкелуі мүмкін.
- Созылып қол жеткізу әрекетін орындамаңыз. Дұрыс адымдаңыз және үнемі тепе-теңдікті сақтаңыз. Бұл күтпеген жағдайларда электр құралының басқаруын жақсартуға мүмкіндік береді.
- Тиісті түрде киініңіз. Бос киім кимеңіз немесе әшекей тақпаңыз. Шашыңызды, киіміңізді және қолғаптарыңызды қозғалмалы бөлшектерден алшақ ұстаңыз. Бос киім, әшекей немесе ұзын шаш қозғалмалы бөлшектерге ілініп қалуы мүмкін.
- Егер шаң сору және жинау нысандарын жалғау құрылғылары берілген болса, олардың қосылғанына және тиісті түрде пайдаланылатынына көз жеткізіңіз. Шаң жинағышты пайдалану шаңға қатысты қауіптіліктерді азайтуға мүмкіндік береді.

Электр құралын пайдалану және оған күтім көрсету

- Электр құралына күш түсірмеңіз. Қолдану түрі үшін тиісті электр құралын пайдаланыңыз. Тиісті электр құралы жұмысты тиісті түрде және белгіленген жылдамдықта қауіпсіз түрде орындайды.
- Егер қосқыш оны ҚОСПАСА және ӨШІРМЕСЕ, электр құралын пайдаланбаңыз. Қосқышпен басқарылмайтын кез келген электр құралы қауіпті және оны жөндеу керек.
- Реттеулер орындау, қосалқы құралдарды ауыстыру немесе электр құралдарын сақтау алдында ашаны қуат көзінен және/немесе батарея жинағын электр құралынан ажыратыңыз. Мұндай алдын алу қауіпсіздік шаралары электр құралының байқаусызда іске қосылу қаупін азайтады.
- Пайдаланылмайтын электр құралдарын балалардың қолы жетпейтін жерде сақтаңыз және электр құралымен немесе осы нұсқаулармен таныс емес адамдарға онымен жұмыс істеуге рұқсат етпеңіз. Электр құралдары оқудан өтпеген пайдаланушылар қолында қауіпті болады.
- Электр құралдарына қызмет көрсетіңіз. Қозғалмалы бөлшектердің тура келмеушіліктерін немесе қысылып қалуын, бөлшектердің сынуын және электр құралының жұмысына әсер ететін басқа жағдайларды тексеріңіз. Егер зақымданса, электр құралын пайдаланбас бұрын жөндеңіз. Көптеген оқыс оқиғалар дұрыс қызмет көрсетілмеген электр құралдарына байланысты орын алады.
- Кескіш құралдарды өткір, әрі таза күйінде ұстаңыз. Өткір жиектері бар тиісті түрде қызмет көрсетілетін кескіш құралдар әдетте жабыспайды және оларды басқару оңай.
- Электр құралын, керек-жарақтарды және құрал қашауларын жұмыс жағдайлары мен орындалатын жұмысты ескере отырып, осы нұсқауларға сәйкес пайдаланыңыз. Электр құралын өзге мақсаттарда пайдалану қауіпті жағдайдың орын алуына әкелуі мүмкін.

Қызмет көрсету

- Электр құралына білікті жөндеу маманының тек бірдей қосалқы бөлшектерімен қызмет көрсетуін қадағалаңыз. Бұл электр құралы қауіпсіздігінің сақталуын қамтамасыз етеді.

Арнайы қауіпсіздік ақпараты

▲ ЕСКЕРТУ

Бұл бөлімде осы құралға қатысты маңызды қауіпсіздік ақпараты бар.

700 электр жетегін пайдаланбас бұрын, электр тогының соғу, соққы, езу немесе басқа ауыр жарақат қаупін азайту үшін осы сақтық шараларды мұқият оқыңыз.

КЕЙІНГІ АНЫҚТАМАЛЫҚ РЕТІНДЕ БАРЛЫҚ ЕСКЕРТУЛЕР МЕН НҰСҚАУЛАРДЫ САҚТАП ҚОЙЫҢЫЗ!

Бұл нұсқаулықты пайдаланушының пайдалануы үшін құрылғымен бірге ұстаңыз.

Электр жетегінің қауіпсіздігі

- Осы құрылғыны тиісті түрде пайдалану нұсқауларын орындаңыз. Электр жетегін пайдаланбас бұрын, пайдаланылатын барлық жабдық пен материалдың нұсқаулары мен ескертулерін оқыңыз және түсініңіз. Барлық ескертулер мен нұсқауларды орындамау мүлік зақымына және/немесе ауыр жарақатқа әкелуі мүмкін.
- 1 дюймдік (25 мм) немесе үлкендеу құбыр бұрандасын кескен кезде бұрандакесу күшіне қарсы тұру үшін тіреу құрылғысын пайдаланыңыз. Осы нұсқауларға сәйкес жарамды тіреу құрылғысын пайдаланыңыз. Тіреу құрылғылары басқаруды жақсартады және соққы, езу және/немесе басқа жарақат қаупін азайтады.
- Бұрандама қысқыштан басқа тіреу құрылғысын пайдаланған кезде тіреу құрылғысы қозғалтқыш корпусына қарсы әрекет етуі керек. Басқа бөліктерге тиген тіреу құрылғылары құрылғы бөліктерін зақымдауы немесе жарақат қаупін арттыруы мүмкін.
- Пайдаланылатын тіреу құрылғысына қарамастан, бұранда кесу күшіне қарсы тұру үшін құбыр бұрандасын кесу немесе бастиекті шығару кезінде электр жетегін үнемі қатты ұстаңыз. Бұл соққы, езу және басқа жарақат қаупін азайтады.
- Егер қосқыш түймесі бұзылған болса, осы электр жетегін пайдаланбаңыз. Бұл қосқыш саусағыңызды алып, қозғалтқышты өшіру мүмкіндігін беретін қауіпсіздік құрылғысы болып табылады.
- Құрылғыларды пайдаланған кезде қолғап немесе бос киім кимеңіз. Жеңдер мен күртелерді тағулы сақтаңыз. Құрылғы немесе құбыр арқылы қолыңызды созбаңыз. Киімді құбыр немесе құрылғы тартып, нәтижесінде оралып қалуы мүмкін.
- Жұмыс үдерісін және құрылғы жұмысын бір адам ғана басқаруы керек. Құрылғы іске қосылған кезде жұмыс аумағында тек пайдаланушы болуы қажет. Бұл жарақат қаупін азайтуға көмектеседі.

- Өтпейтін немесе зақымдалған кескіштерді пайдаланбаңыз. Өткір кесу құралдары аздау айналу кезін талап етеді және электр жетегін басқару оңайлау болады.
- Тұтқаларды құрғақ және таза күйде, майдан және жақпа майдан таза ұстаңыз. Құрал басқаруын жақсартады.
- Еденді құрғақ және май сияқты тайғақ материалдардан таза ұстаңыз. Тайғақ еден келеңсіз жағдайлар ықтималдығын арттырады.
- RIDGID 700 электр жетегімен тек RIDGID бастиектерін пайдаланыңыз, басқа бастиектер электр жетегіне дұрыс енгізілмеуі мүмкін және жабдық зақымының және дене жарақатының қаупін арттырады.
- Осы нұсқаулықта сипатталғаннан басқа қолдану үшін пайдаланған кезде тіреу құрылғысын тұтқа күшіне қарсы тұру үшін пайдаланыңыз. Тіреу құрылғылары басқаруды жақсартады және соққы, езу және/немесе басқа жарақат қаупін азайтады.

Егер осы RIDGID® өніміне қатысты қандай да бір сұрағыңыз болса:

- Жергілікті RIDGID® дистрибьюторына хабарласыңыз.
- Жергілікті RIDGID байланыс орнын табу үшін RIDGID.com торабына кіріңіз.
- Ridge Tool Техникалық қызмет бөліміне rtctechservices@emerson.com мекенжайы немесе АҚШ пен Канада аумағында (800) 519-3456 нөміріне қоңырау шалу арқылы хабарласыңыз.

Сипаттама, техникалық сипаттар және стандартты жабдық

Сипаттама

RIDGID® Model 700 электр жетегі құбыр және келте құбыр бұрандасын кесуге қуатты қамтамасыз етуге арналған. Алға және артқа айналдыруды айналмалы қосқышпен таңдауға болады.

Электр жетегі RIDGID 12-R бастиектерін (1/8 дюймдік – 2 дюймдік құбыр) пайдалануға арналған. 00-R және 11-R сияқты басқа RIDGID бастиектерін жалғағыштармен пайдалануға болады.

1 дюймдік немесе үлкендеу құбыр бұрандасын кескен кезде бұранда кесу күшіне қарсы тұру үшін 775 бұрандама қысқышы сияқты тіреу құрылғысы немесе RIDGID 14 дюймдік ауыр құбыр кілті қажет болады.

Электр жетегін әрі RIDGID 258 құбыр кескішіне немесе өзге қолдануға қуатты қамтамасыз ету үшін пайдалануға болады, (“Өзге пайдалану” бөлімін қараңыз).



1-сурет – 700 үлгісіндегі электр жетегі

Техникалық сипаттар

Бұрандақесу қуаттылығы...Құбыр ½ дюйм-2 дюйм (3-50 мм)
Болт ¼ дюйм-1 дюйм (6-25 мм)
00-RB бастиегімен

Қозғалтқыш:

Түрі	Әмбебап, айналмалы		
Вольт	110	120	220-240
Ампер	13,5	13,5	6,5
Жиілік	50/60 Гц	50/60 Гц	50/60 Гц
Қуат	1500	1500	1500
Жұмыс жылдамдығы	26-30 айн/мин, жүктемесіз		
Басқару тетіктері	Қос полюсті айналмалы қосқыш, серіппенің ӨШІРУЛІ күйіне оралуымен		
Редуктор.....	Соғылған алюминий, цилиндрлік тісті дөңгелек, серіппелі жалғағыш ілмектері, шыңдалған болаттан шпindelьдегі тісті дөңгелек		

Өлшемдері:

Ұзындығы.....	28¼ дюйм (717 мм)
Ені.....	6⅞ дюйм (154 мм)
Биіктігі.....	7⅞ дюйм (198 мм)
Салмағы	25 фунт. (11 кг)
Дыбыс қысымы (L _{рх})**	98,4 дБ(А), К=3
Дыбыс қуаттылығы (L _{wа})**	107 дБ(А), К=3
Діріл**	2,5 м/с², К=1,5

* Белгілі бір құрылғы қозғалтқышы туралы ақпарат бойынша құрылғының сериялық нөмір тақтасын қараңыз — Басқа нұсқалары қолжетімді.

** Дыбыс және діріл өлшемдері EN 62481-1 стандартына сәйкес келетін стандартталған сынаққа сәйкес өлшенеді.

- Діріл деңгейлерін басқа құралдармен салыстыру және әсердің бастапқы бағалауы үшін пайдалануға болады.

- Шығатын дыбыс және діріл орналасқан жеріңізге және осы құралдардың белгілі бір пайдалануына қарай әр түрлі болуы мүмкін.

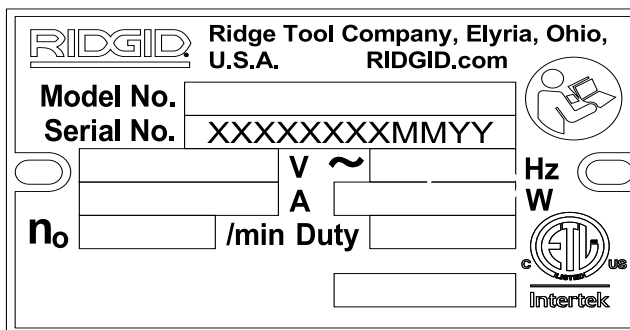
- Дыбыс пен дірілдің күнделікті әсер деңгейлері әрбір қолдану түріне бағалануы және қажет болғанда тиісті қауіпсіздік шаралары қолға алынуы тиіс. Әсер деңгейлерін анықтаған кезде құрал өшіріліп, пайдаланылмайтын уақыт ескерілуі қажет. Бұл жалпы жұмыс кезеңінде әсер деңгейін едәуір азайтуы мүмкін.

Стандартты жабдық

700 үлгісіндегі электр жетегі мына заттармен жеткізіледі:

- 700 электр жетегі
- Айналу кезінің тетігі
- Тіреуіш құрылғы
- Пайдаланушы нұсқаулығы

700 электр жетегінің сериялық нөмір тақтасы қозғалтқыш корпусының астында орналасқан. Соңғы 4 сан өндірілген айы мен жылын білдіреді. (12 = ай, 15 = жыл).



2-сурет – Құрылғының сериялық нөмірі

ЕСКЕРТПЕ Тиісті материалдарды таңдау және орнату, біріктіру және түзу әдістері жүйе жасақтаушысының және/немесе орнатушысының жауапкершілігіне жатады. Жарамсыз материалдарды және әдістерді таңдау жүйенің істен шығуына әкелуі мүмкін.

Тот баспайтын болат және басқа коррозияға төзімді материалдар орнату, біріктіру және түзу кезінде ластануы мүмкін. Бұл ластану коррозияны және мезгілінен бұрын бұзылуға әкелуі мүмкін. Химиялық зат пен температураны қоса белгілі бір қызмет көрсету жағдайларына материалдар мен әдістердің жіті бағалануы кез келген орнату әрекеті алдында орындалуы қажет.

Пайдалану алдында тексеру

⚠ ЕСКЕРТУ

  **Әрбір пайдалану алдында 700 электр жетегін тексеріңіз және электр тогының соғу, езу және өзге себептерге байланысты ауыр жарақат қаупін азайту және электр жетегі зақымдалуының алдын алу үшін ақаулықтарды түзетіңіз.**

1. Электр жетегінің ажыратылғанына көз жеткізіңіз.
2. Тұтқаларын және басқару тетіктерін қоса электр жетегінен және тіреу құрылғысынан майды, жақпа майды немесе кірді тазалаңыз. Бұл тексеруге көмектеседі және құрылғының немесе басқару тетігінің қысқыштан сырғып кетуіне жол бермейді.
3. Электр жетегінде мыналарды тексеріңіз:
 - Сымның және ашаның зақымдалуы немесе өзгертілуі.
 - Тиісті түрде жинақтау, техникалық қызмет көрсету және бөліктерінің толықтығы.
 - Зақымдалған, дұрыс реттелмеген немесе шатысқан бөліктер.
 - Қосқыштың дұрыс жұмыс істеуі. Оның бірқалыпты айналатынын және жабысып қалмайтынын растаңыз.
 - Ескерту белгілерінің бар болуы және олардың оқылуы (3-сурет).
 - Қауіпсіз және қалыпты жұмыс істеуіне жол бермеуі мүмкін басқа жағдай.

Егер ақаулықтар табылса, ақаулықтар түзетілгенше электр жетегін немесе тіреу құрылғысын пайдаланбаңыз.

4. Бұрандама қысқышын тексеріңіз. Ұстайтын тістердің таза және жарамды күйде екеніне көз жеткізіңіз. Тістерді сымды қылшақпен тазалауға болады.
5. Кескіштердің кесу жиектерін тозу, майысу, кесектерінің болуы немесе басқа мәселелер бойынша тексеріңіз. Өтпейтін немесе зақымдалған кескіш құралдар қажетті күш мөлшерін арттырады, сапасы төмен кесіктерді жасайды және жарақат қаупін арттырады.
6. Дұрыс жұмыс істейтініне көз жеткізу үшін басқа кез келген пайдаланылатын жабдықты тексеріңіз және оған өз нұсқауларына сәйкес қызмет көрсетіңіз.
7. *Орнату және пайдалану* нұсқауларын орындап, электр жетегінің тиісті түрде жұмыс істейтінін тексеріңіз.
 - АЛҒА айналдыру үшін қосқышты басып, босатыңыз және АРТҚА айналдыру үшін 3-суретте көрсетілгендей қайталаңыз. Электр жетегінің 3-суретте көрсетілгендей айналатынын және қосқыштың құрылғы жұмысын басқаратынын растаңыз.

Қосқыш түймесімен бағытты өзгертпес бұрын электр жетегінің толық тоқтауын күтіңіз. Бұл электр жетегі зақымының қаупін азайтады.

- Қосқыш түймесін басып тұрыңыз. Қозғалмалы бөлшектерде тура келмеушілік, қысылу, оғаш дыбыстар немесе басқа да қалыптыдан тыс жағдайлардың бар-жоқтығын тексеріңіз. Қосқышты босатыңыз.

Егер құрылғы дұрыс істемесе немесе орынсыз жағдайлар анықталса, жөнделгенше құрылғыны пайдаланбаңыз.



3-сурет – Қосқыштың айналдыру бағытына күйі

8. Қосқыш түймесін босатыңыз және құрғақ қолмен құрылғыны ажыратыңыз.

Орнату және пайдалану

⚠ ЕСКЕРТУ



Электр тогының соғуынан, шатысудан, соққыдан, езілуден және басқа себептерге байланысты жарақат алу қаупін азайту және электр жетегінің зақымын болдырмау үшін 700 электр жетегін осы рәсімдерге сәйкес орнатып, пайдаланыңыз.

1 дюймдік (25 мм) немесе үлкендеу құбыр бұрандасын кескен кезде бұрандакесу күшіне қарсы тұру үшін тіреу құрылғысын пайдаланыңыз. Осы нұсқауларға сәйкес жарамды тіреу құрылғысын пайдаланыңыз. Тіреу құрылғылары басқаруды жақсартады және соққы, езу және/немесе басқа жарақат қаупін азайтады.

Пайдаланылатын тіреу құрылғысына қарамастан, бұрандакесу күшіне қарсы тұру үшін құбыр бұрандасын кесу немесе бастиекті шығару кезінде электр жетегін үнемі қатты ұстаңыз. Бұл соққы, езу және басқа жарақат қаупін азайтады.

Құбырды тиісті түрде тіреңіз. Бұл құбырдың құлауы, аударылуы және ауыр жарақат алу қаупін азайтады.

Электр жетегін дұрыс жұмыс істейтін қосқыш түймесінсіз пайдаланбаңыз.

Құрылғыларды пайдаланған кезде қолғап немесе бос киім кимеңіз. Жеңдеріңіз бен кеудешелеріңіздің түймесін салыңыз. Құрылғы немесе құбыр арқылы қолыңызды созбаңыз. Киімді құбыр немесе құрылғы тартып, нәтижесінде оралып қалуы мүмкін.

Бір адам жұмыс үдерісін және қосқыш түймесін басқаруы керек. Оны бірден көп адам пайдаланбасын. Шатысу орын алған кезде пайдаланушы қосқышты реттей алуы керек.

- Жұмыс аумағында мыналарды тексеріңіз:
 - Жеткілікті жарық.
 - Жанғыш сұйықтықтар, бұлар немесе тұтануы мүмкін тозаң. Бар болған жағдайда көздері анықталып, түзетілмейінше, аумақта жұмыс істемеңіз. Электр жетектері жарылыстан қорғалмаған және ұшқындар шығаруы мүмкін.
 - Барлық жабдық және пайдаланушы үшін таза, тегіс, тұрақты, құрғақ орын болуы керек.
 - Тиісті желдету. Кішкентай, жабық аумақтарда көп пайдаланбаңыз.
 - Тиісті кернеудің дұрыс жалғанған электр розеткасы. Күмәніңіз болса, розетканы рұқсаты бар электр маманына тексертіңіз.
 - Электр розеткасына қуат сымның ықтимал зақымдау көзі жоқ бөгеуісіз жол.
- Бұранда кесілетін құбырды және тиісті құралдарды тексеріңіз және 700 электр жетегінің тапсырмаға жарамды құрал екеніне көз жеткізіңіз. *Техникалық сипаттарды қараңыз.*

Басқа қолдануға арналған жабдық туралы Ridge Tool каталогында, RIDGID.com торабында онлайн немесе АҚШ және Канададағы (800) 519-3456 нөмірі арқылы Ridge Tool техникалық қызметіне қоңырау шалып білуге болады.
- Пайдаланылатын жабдықтың дұрыс тексерілгеніне көз жеткізіңіз.
- Құбырды қажетінше тиісті түрде дайындаңыз. Құбырдың тік кесіліп, қылаулардан арылғанын тексеріңіз. Құбырдың бұрышта кесілуі бұранда кесу кезінде кескіштерді зақымдауы немесе бастиекті қосу қиындығын тудыруы мүмкін.
- Пайдалану кезінде аударылмауы үшін кесілетін құбырдың тұрақты және бекітулі екеніне көз жеткізіңіз. Құбыр бөлігін тіреу үшін жарамды құбыр тізбектерін пайдаланыңыз.
- RIDGID 418 майлағышындағы RIDGID бұрандакесу майының деңгейін тексеріңіз. Жоңқа науасын алып тастап, сүзгі экраны таза және майға толығымен батырылғанын растаңыз. Қажет болған жағдайда майды ауыстырыңыз немесе қосыңыз. 418 майлағыш сауытын кесілетін құбыр шетінің астына қойыңыз.

Бастиектерді орнату

- Электр жетегінің розеткадан ажыратылғанына көз жеткізіңіз.
- 12-R бастиегін немесе жалғағышын (*Қосымша жабдық бөлімін қараңыз*) серіппелі ілмекпен бекітілгенше алдымен кертпе шетін алға қаратып, электр жетегіне енгізіңіз. (*4-сурет*). Бастиекті немесе жалғағышты электр жетегінің екі жағына да енгізуге болады. Кейбір жағдайларда ілмектің реттелуі үшін бастиектерді/жалғағыштарды айналдыру қажет болуы мүмкін. 770 және 773 жалғағыштарында электр жетегіне енгізілмес бұрын жалғағышқа орнатылған бастиегі болуы керек.
- Алып тастау үшін бастиекті электр жетегінен тігінен тартыңыз. Егер қажет болса, бастиекті шығару үшін жұмсақ бетті балғаны немесе тақтайшаны пайдаланыңыз. Бастиекті соқпаңыз, бұл құралды зақымдауы мүмкін.



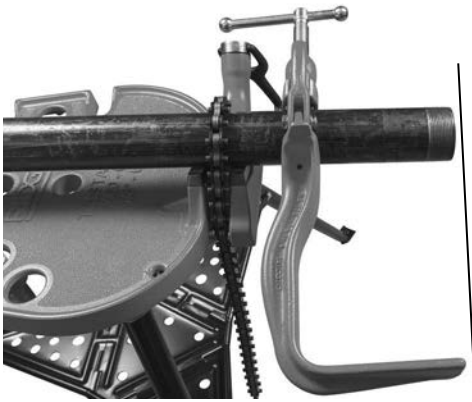
4-сурет – Бастиектерді 700 электр жетегіне орнату

Бұрандакесу күшіне қарсы тұру (Тіреу құрылғылары)

Оң жақ бұрандалар үшін бастиек сағат тілі бағытында айналады (бастиекке қарап). Кесудің айналу кезімен туындаған күш қарама-қарсы немесе сағат тіліне қарсы бағытта болады. Айналдыру және күш сол жақ бұрандаларға қарсы тұрады. Тіреу құрылғысының бұрандакесу күшін сіңіруге және оған қарсы тұруға орнатылғанына көз жеткізіңіз.

775 бұрандама қысқышын пайдалану:

- Бұрандама қысқышының қысқыш ілмегін екі жағына да құрастыруға болады. Тоспа болтын барынша қатайтыңыз.
- Бұрандама қысқышының шеті құбыр шетімен бір деңгейде болып, 700 электр жетегі сәл көлденеңнен жоғары болатындай етіп, бұрандама қысқышын құбырға орналастырыңыз (*5 және 6-суреттер*). Бұл бұрандама қысқышын бұранда кесуге орналастырады және бұрандакесу майының электр жетегінен төгілуін болдырмайды.
- Бұрандама қысқышы атауыздарының құбырмен тігінен тураланғанына көз жеткізіңіз және бұрандама қысқышты барынша қатайтыңыз.



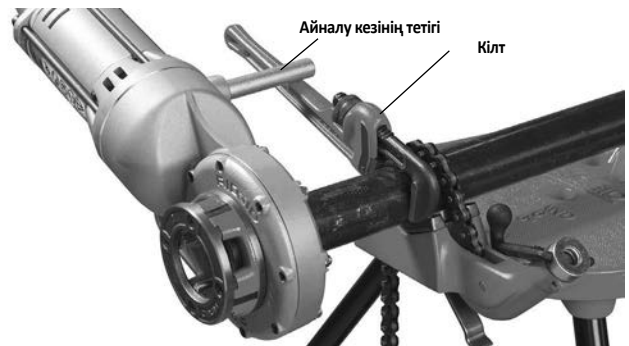
5-сурет – Құбыр шетімен тураланған бұрандама қысқыш



6-сурет – 700 электр жетегі сәл көлденеңнен жоғары орналасқан бұрандама қысқыш

RIDGID 12 дюймдік, 14 дюймдік немесе 18 дюймдік ауыр құбыр кілтін пайдалану:

1. Айналу кезінің тетігін 700 электр жетегінің желдеткіш корпусына барынша орнатыңыз. ½ дюймдік 80 стандартындағы болат құбырының ұзындығы 5 дюймдік (127 мм) бөлігін әрі ½ дюймдік NPT бұрандасымен пайдалануға болады.
2. RIDGID 12 дюймдік, 14 дюймдік немесе 18 дюймдік ауыр құбыр кілтін құбыр шетінен шамамен 7 дюйм (175 мм) орналастырыңыз (7-суретті қараңыз). Кілттің бекітілгеніне және құлап немесе жылжып кетпейтініне көз жеткізіңіз.
3. Бұранда кесуді бастаған кезде айналу кезінің тетігі құбыр кілтінің тұтқасына орналасады.



7-сурет – Құбыр кілтін бұрандама қысқыш ретінде пайдаланып, бұранда кесу

Басқа тіреу әдістері:

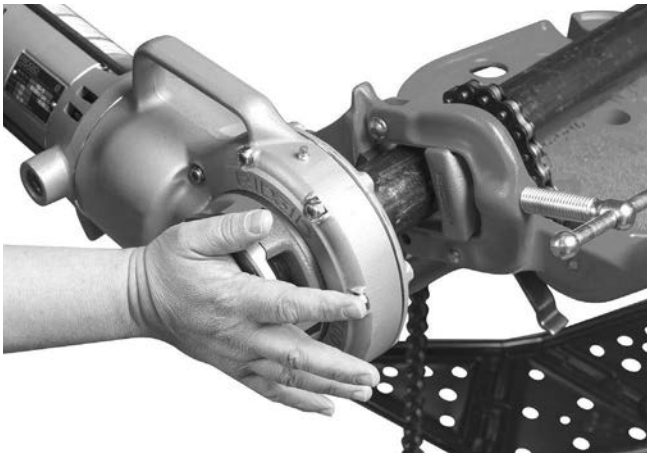
Электр жетегінің қозғалтқыш корпусын (1-суретті қараңыз) іргелес құрылым элементіне (мысалы, қабырға, арқалық және білеу) қарсы орналастырыңыз. Бұл кесілетін құбырдың және айналадағы ортаның құрал салмағына және кесу күшіне қарсы тұру мүмкіндігін талап етеді. Бұрандакесу күшіне тиісті түрде қарсы тұру үшін уақытша немесе тұрақты құбыр тіреуіштерін немесе құрылым элементтерін қосу қажет болуы мүмкін.

Диаметрі ¼ дюйм және одан кіші құбыр үшін:

Шартты өлшемдері ¼ дюйм және одан кем құбырды тіреу құрылғысының көмегінсіз кесуге болады. Бұл жағдайда пайдаланушы кесу күшіне қарсы тұрады. Құбыр айналдырудың алдын алу үшін тиісті түрде бекітілу керек. Күшке қарсы тұру үшін құбыр бұрандасын кесу немесе бастиекті шығару кезінде электр жетегін үнемі қатты ұстаңыз. Бұл соққы, езу және басқа жарақат қаупін азайтады.

Бұранда кесу

1. Құрғақ қолмен электр жетегін жалғаңыз.
2. Бастиекті құбыр шетінің үстіне орналастырыңыз және электр жетегін бұрандакесу күшіне қарсы тұру бөлімінде нұсқалғандай тіреңіз. Электр жетегін үнемі тіреу құрылғысына қарсы ұстаңыз. Электр жетегі мен тіреу құрылғысы арасына ешбір нәрсе қоймаңыз – бұл қысу және езу нәтижесіндегі жарақат қаупін арттырады.
3. Құрылғы басқаруын сақтау үшін дұрыс жұмыс күйін таңдаңыз (9-суретті қараңыз),
 - Тиісті тепе-теңдіктің бар-жоғын тексеріңіз және созылу қажет емес екеніне көз жеткізіңіз.
 - Қосқыш түймесін және құрылғыны басқара алуыңыз керек. Қосқышты әлі баспаңыз. Апат орын алған жағдайда қосқышты босатып алуыңыз керек.



8-сурет – Бұранда кесуді бастау

4. Қосқыш түймесін бірге іске қосыңыз (3-суретті қараңыз) және бұранда кесуді бастау үшін бос қолыңыздың алақанымен бастиек қақпағының тілігіне қарсы басыңыз (8-сурет). Қақпақ тілігін басқан кезде қолғап, әшекей кимеңіз немесе шүберекті пайдаланбаңыз – бұл шатысу және жарақат қаупін арттырады. Кескіштер құбырға ілінген кезде кескіштер өздерін құбыр шетіне өтіп, бұрандалар кесіледі.

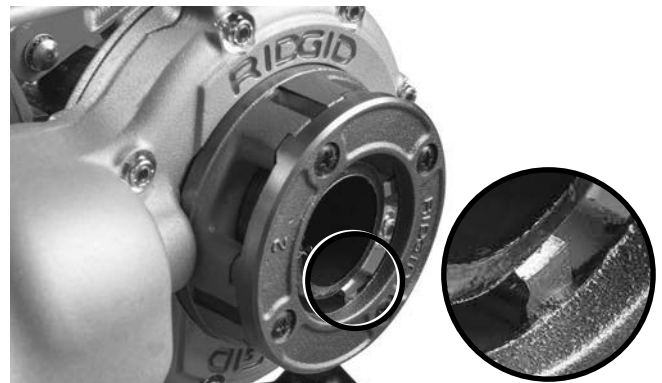
Тұтқа күшіне қарсы тұру үшін электр жетегінің тұтқасын үнемі қатты ұстаңыз. Тіреу құрылғылары сырғып, электр жетегінің қозғалуына мүмкіндік береді. Электр жетегін ӨШІРУ үшін қосқыш түймесін кез келген уақытта босатуға болады.



9-сурет – Құбыр бұрандасын кесу

5. Қақпақ тілігін басуды тоқтатыңыз және RIDGID бұрандакесу майының мол мөлшерін кесілетін аумаққа қолдану үшін майлағышты пайдаланыңыз. Бұл бұранда кесудің айналу кезін төмендетеді, бұранда сапасын жақсартады және кескіш жарамдылығын арттырады.

6. Қосқышты құбыр шеті кескіштер жиегімен бір деңгейде болғанша баса беріңіз (10-сурет). Электр жетегінің тіреу құрылғысына тимеуін қадағалаңыз. Қосқыш түймесін босатыңыз. Электр жетегінің толығымен тоқтауын күтіңіз.

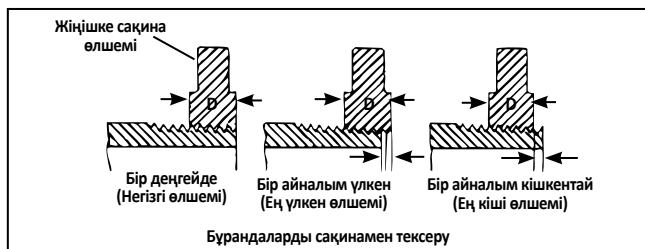


10-сурет – Кескіштер жиегімен бір деңгейдегі құбыр

7. Бастиекті кесілген құбырдан алып тастау үшін қосқыш түймесін теріс бағытта іске қосыңыз. Бұранда жоңқасын үзген және бастиекті шығарған кезде түзілетін тұтқа күшіне қарсы тұру үшін электр жетегінің тұтқасын қатты ұстаңыз.
8. Қосқышты босатыңыз және электр жетегі мен бастиекті құбырдан алып тастаңыз.
9. Құрғақ қолмен электр жетегін ажыратыңыз.
10. Өткір жиектерінен абайлап, бұрандалардағы және бастиектегі майды және қалдықты сүртіп шығыңыз. Жұмыс аумағында төгілген майды тазалаңыз.

Бұрандаларды тексеру

1. Бұрандадан қандай да бір майды, жоңқаларды немесе қалдықтарды алып тастаңыз.
2. Бұранданы көзбен шолыңыз. Бұрандалар тегіс және толық, тиісті пішінде болуы қажет. Егер бұранданың сыдырылуы, жіңішке бұрандалар немесе құбыр сопақтығы сияқты ақаулықтар байқалса, бұранда жасалған кезде ұстамауы мүмкін. Осы ақаулықтарды диагностикалау бойынша көмек алу үшін “Ақаулықтарды жою” диаграммасын қараңыз.
3. Бұранда өлшемін тексеріңіз. Бұранда өлшемін тексерудің ыңғайлы әдісі өлшеу сақинасы арқылы жүзеге асады. Өлшеу сақиналары әр түрлі болады және олардың пайдалануы 11-суретте көрсетілгеннен өзгеше болуы мүмкін.
 - Сақинаны бұранда бағытына қатты бұраңыз.
 - Құбыр шетінің сақинадан қаншалықты созылатынын қараңыз. Құбыр шеті шамамен бір айналымды сақина бүйірімен бір деңгейде болуы қажет. Егер бұранда дұрыс өлшенбесе, бұранданы кесіңіз, бастиекті реттеңіз және басқа бұранданы кесіңіз. Дұрыс өлшенбеген бұранданы пайдалану жылыстауға әкелуі мүмкін.



11-сурет – Бұранда өлшемін тексеру

- Егер бұранда өлшемін тексеру үшін сақина болмаса, бұранда өлшемін өлшеуде пайдаланылғанмен бірдей жаңа таза қосымша бөлшекті пайдалануға болады. 2 дюймдік және NPT кем бұрандалар бойынша қосымша бөлшекпен барынша қолмен барынша қатайту үшін бұрандалар 4-5 айналымға қол жеткізу үшін кесілуі қажет, ал 2 дюймдік және BSPT кем бұрандалар үш ол 3 айналым болуы қажет.

700 электр жетегі – Өзге пайдалану

Осы нұсқаулықта 700 электр жетегін әр түрлі RIDGID бастиектерімен бұранда кесуге пайдаланудың нақты нұсқаулары бар. Басқа RIDGID жабдығымен (мысалы, RIDGID 258/258XL электр құбыр кескіші) пайдаланылған кезде осы RIDGID жабдығымен бірге жеткізілетін тиісті түрде орнату және пайдалану нұсқаулары мен ескертулерін сақтаңыз.

Ridge Tool компаниясы 700 электр жетегінің әрбір ықтимал пайдалануына нақты нұсқауларды қамтамасыз етпейді. Пайдаланушы нақты жұмыс жағдайын бағалауы және тиісті жұмыс әдістерін пайдалануы керек. Егер 700 электр жетегін осы басқа мақсаттарда пайдалануға қатысты кез келген күмәніңіз болса, оны пайдаланбаңыз.

Егер 700 электр жетегін басқа мақсаттарда пайдалансаңыз, төмендегі жалпы нұсқаулар арқылы мұқият бағалаңыз және жұмысқа дайындаңыз. 700 электр жетегі соққы және езу нәтижесіндегі жарақатқа әкелуі мүмкін жоғары айналу кезін және тиісті тұтқа күшін қамтамасыз етеді.

- RIDGID 774 шаршы жетек жалғағышын 700 электр жетегін сыртқы 1/8 дюймдік шаршыға бейімдеу үшін пайдалануға болады. Пайдаланылған кезде ажырап кетуінің алдын алу үшін жалғағышты барынша тіркеңіз.
- Барлық тұтқа күштеріне қарсы тұрудың тиісті әдісі жасақталуы керек (“Тұтқа күшіне қарсы тұру” бөлімін қараңыз). Күш 1000 фунттан (455 кг) асуы мүмкін. Тіреу құрылғыларын 700 электр жетегінің қозғалтқыш корпусына немесе желдеткіш корпусына қарсы орналастыруға болады (1-сурет).
- Электр жетегін үнемі тіреу құрылғысының алдында ұстаңыз – дене бөліктерін электр жетегі мен тіреу құрылғысының арасына қоймаңыз.
- Пайдалану кезінде электр жетегі және тіреу құрылғысы арасында ешбір қатыстық қозғалыс болмауы қажет.
- Қолданудың (мысалы, істеп тұрған клапан) еркін түрде айналатынына, тұрып қалмағанына және жүріс шеттерінің белгілі екеніне көз жеткізіңіз. Егер пайдалану кезінде жүйе тұрып қалса немесе қатып қалса, тұтқа күші кенет және едәуір артады немесе электр жетегі айналуы мүмкін.
- Егер клапандарды немесе басқа жабдықты іске қосу үшін пайдаланылса, жабдық өндірушісінің барлық нұсқауларын орындаңыз. Жабдыққа шамадан көп жүктеме түсірмеңіз.
- 700 электр жетегінің әрекет күші пайдаланушыдан әрі болатындай пайдаланыңыз.
- Электр жетегін өшіру үшін қосқыш түймесін кез келген уақытта босатыңыз. Қосқыш түймесін босата алуыңыз керек.

Техникалық қызмет көрсету нұсқаулары

⚠ ЕСКЕРТУ

Қызмет көрсетуді орындау немесе реттеулер жасау алдында қосқыш түймесінің босатылғанына және құрылғының ажыратылғанына көз жеткізіңіз.

Электр тогының соғуынан, шатысудан және басқа себептерден жарақат алу қаупін азайту үшін құралға осы рәсімдерге сәйкес қызмет көрсетіңіз.

Тазалау

1. Әрбір пайдаланудан кейін 418 майлағышының жоңқа науасынан бұранда жоңқаларын босатыңыз және қалған майды сүртіп алыңыз.
2. Тұтқаларын және басқару тетіктерін қоса электр жетегінен майды, жақпа майды, жоңқаларды немесе кірді тазалаңыз.
3. Бұрандама қысқыштан майды, жақпа майды немесе кірді тазалаңыз. Егер қажет болса, бұрандама қысқышының атауыздарын сымды қылшақпен тазалаңыз.
4. Жоңқалар мен ластануды бастиектерден кетіріңіз.

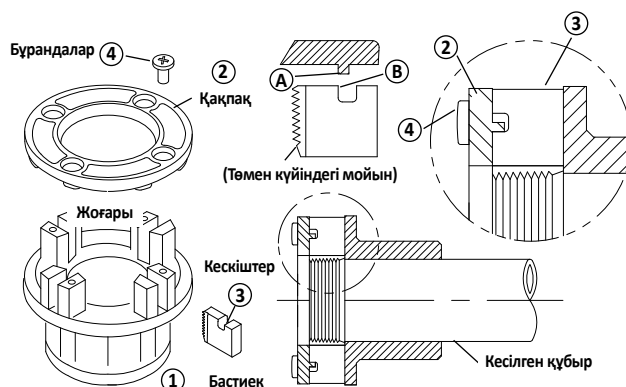
Майлау

Құрылғының пайдалануына қарай, 3-6 ай сайын редуктор корпусында берілген жақпа май нүктелері арқылы Lithium EP (Extreme Pressure) жақпа майын құю үшін жақпа май пісегін пайдаланыңыз (1-суретті қараңыз).

12-R бастиектеріндегі кескіштерді ауыстыру

Әр түрлі кескіштер RIDGID 12- R бастиектеріне орнатуға қол жетімді. Қолжетімділігін білу үшін каталогты қараңыз.

1. Бастиектен төрт бұранданы (4), қақпақ тілігін (2) және кескіштерді (3) алып тастаңыз.
2. Жаңа кескіштерді нөмірленген жиегін (1,2,3,4) жоғары қаратып, ұяларға енгізіңіз. Кескіштердегі сандар бастиек ұяларындағымен сәйкес болуы керек. Кескіштерді үнемі жиынтық ретінде ауыстырыңыз.
3. Қақпақ тілігін (2) және бұрандаларды (4) орнатыңыз және бұрандаларды ақырын қатайтыңыз.
4. Кесілген құбыр шетін бұранда кесуді бастағанша кескіштерге бұраңыз. Бұл “В” кескіштеріндегі тығынды қақпақ тілігіндегі “А” ұштығына қарсы сыртқа қарай орналастырады және өлшемін тиісті түрде орнатады.
5. Төрт бұранданы барынша қатайтыңыз. Кесілген құбырды алып тастап, сынақтық кесуді орындаңыз.



12-сурет – Кескіштерді бастиекке орнату

Қозғалтқыштағы қылшақтарды ауыстыру

Қозғалтқыш қылшақтарын 6 ай сайын тексеріп тұрыңыз. ¼ дюймден (6 мм) кемге тозған кезде ауыстырыңыз.



13-сурет – Қылшақты орнату

1. Құрылғыны қуат көзінен суырыңыз.
2. Қылшақ қақпақтарының бұрандасын босатыңыз. Қылшақтарды алып тастаңыз және тексеріңіз. ¼ дюймден (6 мм) кемге тозған кезде ауыстырыңыз. Коммутаторда тозу белгілерін тексеріңіз. Егер шамадан көп тозған болса, құралға қызмет көрсетіңіз.
3. Қылшақтарды қайта орнатыңыз/жаңа қылшақтарды орнатыңыз.
4. Пайдаланбас бұрын, жаңа қылшақтарды коммутаторға енгізу үшін құрылғыны әрекетсіз режимде 15 минут алға қарай, кейін 15 минут артқа қарай іске қосыңыз.

Қосымша жабдық

⚠ ЕСКЕРТУ

Ауыр жарақат қаупін азайту үшін төменде көрсетілгендей 700 электр жетегімен пайдалануға арнайы жасақталған және кеңес етілген жабдықты ғана пайдаланыңыз.

Каталог нөмірі	Сипаттама
42600	00-R (½ дюйм – 1 дюйм) және 00-RB (¼ дюйм – 1 дюйм) үшін 770 жалғағышы
42605	0-R (½ дюйм – 1 дюйм) үшін 771 жалғағышы
42610	11-R (½ дюйм – 1¼ дюйм) үшін 772 жалғағышы
42615	111-R (½ дюйм – 1¼ дюйм) үшін 773 жалғағышы
42620	774 тік жетек жалғағышы – 15/16 дюйм
42625	775 бұрандама қысқышы
46615	Айналу кезінің тетігі
42950	B-171-X металды тасу сауыты
10883	1 галлон жоғары сапалы бұрандакесу майымен 418 майлағышы
41620	Тісті редуктор қозғалтқышының майы

Осы құралға қатысты 700 электр жетегі үшін қол жетімді жабдық туралы қосымша ақпаратты RIDGID каталогында және RIDGID.com торабында табуға болады.

Құрылғыны сақтау

⚠ **ЕСКЕРТУ** 700 электр жетегін жай ішінде немесе жауынды ауа-райында қапталған күйде сақтау керек. Құрылғыны балалардың және құрылғылармен таныс емес адамдардың қолы жетпейтін, құлыпталған аумақта сақтаңыз. Құрылғы тәжірибесі жоқ пайдаланушылардың қолында ауыр жарақатқа әкеліп соғуы мүмкін.

Қызмет көрсету және жөндеу

⚠ ЕСКЕРТУ

Орынсыз қызмет көрсету немесе жөндеу құрылғы пайдалануын қауіпті етуі мүмкін.

Техникалық қызмет көрсету нұсқаулары осы құрылғының көптеген қызмет көрсету қажеттіліктерін қамтиды. Осы бөлімде көрсетілмеген қандай да бір мәселелерді RIDGID өкілетті қызмет көрсету маманы ғана шешуі қажет.

Құралды RIDGID тәуелсіз қызмет көрсету орталығына апару немесе зауытқа қайтару қажет. Тек RIDGID қызмет бөлшектерін пайдаланыңыз.

Ең жақын RIDGID тәуелсіз қызмет орталығы немесе кез келген қызмет көрсету не жөндеу сұрақтары бойынша ақпарат алу үшін:

- Жергілікті RIDGID дистрибьюторына хабарласыңыз.
- Жергілікті RIDGID байланыс орнын табу үшін RIDGID.com торабына кіріңіз.

- Ridge Tool Техникалық қызмет бөліміне rtctechservices@emerson.com мекенжайы немесе АҚШ пен Канада аумағында (800) 519-3456 нөміріне қоңырау шалу арқылы хабарласыңыз.

Бұранда кесу майы туралы ақпарат

Бұрандакесу майының жапсырмасындағы және Қауіпсіздік төлқұжатындағы (SDS) барлық нұсқауларды оқып шығыңыз және орындаңыз. RIDGID бұрандакесу майлары туралы нақты ақпарат, соның ішінде қауіптіліктерді анықтау, жедел жәрдем, өрт сөндіру, шығарынды кезіндегі әрекеттер, қолдану және сақтау, жеке қорғаныш жабдығы, кәдеге жарату және тасымалдау, орауышына және Қауіпсіздік төлқұжатына енгізілген. Қауіпсіздік төлқұжатын RIDGID.com торабынан немесе Ridge Tool техникалық қызмет бөліміне АҚШ және Канададағы (800) 519-3456 нөмірі арқылы хабарласып немесе rtctechservices@emerson.com мекенжайы арқылы алуға болады.

Кәдеге жарату

700 электр жетегінің бөліктерінде құнды материалдар бар және оларды қайта өңдеуге болады. Жергілікті жерде орналасқан қайта өңдеумен айналысатын компаниялар бар. Құрамдастарды барлық қолданылатын талаптарға сәйкес кәдеге жаратыңыз. Қосымша ақпарат алу үшін жергілікті қалдықтарды реттеу ұйымына хабарласыңыз.



ЕО елдері үшін: Электр жабдығын тұрмыстық қоқыспен бірге тастамаңыз!

Еуропа елдерінің 2012/19/EU Қалдық электр және электрондық жабдық бойынша ережесіне және оның ұлттық заңнамаға енгізілуіне сәйкес, бұдан әрі пайдаланылмайтын электр жабдығы бөлек жиналып, қоршаған ортаға зиян келтірмейтіндей тасталуы керек.

Ақаулықтарды жою

АҚАУЛЫҚ	ЫҚТИМАЛ СЕБЕПТЕРІ	ШЕШІМІ
Құрылғы іске қосылмайды.	Қылшақтар арматураға тимейді.	Қылшақтарды тексеріңіз, тозған кезде ауыстырыңыз.
Құрылғы бұранда кеспейді.	<p>Кескіштер өтпейді.</p> <p>Үзілген немесе сопақ бұрандаларға байланысты артық жүктеме.</p> <p>Бұрандакесу майының сапасы нашар немесе жеткіліксіз.</p> <p>Желі кернеуі жеткіліксіз.</p>	<p>Кескіштерді ауыстырыңыз</p> <p>Төменде ықтимал себептерін қараңыз.</p> <p>RIDGID бұрандакесу майын жеткілікті мөлшерде пайдаланыңыз.</p> <p>Қуат көзінің кернеуін тексеріңіз.</p>
Жіңішке бұрандалар.	<p>Қылшақтар және коммутатор арасындағы түйіспе жеткіліксіз</p> <p>Қылшақтар коммутаторға тиісті түрде тимейді.</p> <p>Басқа өндірушінің қылшақтары.</p> <p>Жаңа қылшақтар.</p>	<p>Қылшақтардың коммутаторға барынша басылуы үшін қылшақ қақпақтарын қатайтыңыз.</p> <p>Тозған қылшақтарды және арматураны ауыстырыңыз.</p> <p>Тек RIDGID қылшақтарын пайдаланыңыз.</p> <p>Құрылғыны әрекетсіз режимде 15 минут Алға және Артқа бағытында іске қосып, қылшақтарды енгізіңіз.</p>
Бастиек бұранда кесуді бастамайды.	<p>Бастиек құбыр шетімен тігінен емес.</p> <p>Реттеу күші бастиекке дұрыс қолданылмаған.</p> <p>Құбыр шеті тігінен кесілмеген.</p> <p>Кескіштер өтпейді немесе бұзылған.</p> <p>Құрылғы дұрыс бағытта іске қосылмаған.</p> <p>Кескіштер бастиекке дұрыс орнатылмаған.</p>	<p>Бұранда кесуді бастау үшін бастиек қақпағының тілігін басыңыз.</p> <p>Реттеу күшін құбыр ортасы арқылы қолданыңыз.</p> <p>Құбыр шетін тігінен кесіңіз.</p> <p>Кескіштерді ауыстырыңыз</p> <p>Құрылғы дұрыс бағытта іске қосыңыз.</p> <p>Кескіштердің қақпақ тілігі ұштықтарына қарсы сыртқа қарай орнатылғанына көз жеткізіңіз.</p>
Бұрандалар үзілген.	<p>Кескіштер зақымдалған, жоңқаланған немесе тозған.</p> <p>Бұрандакесу майы дұрыс емес немесе жеткіліксіз.</p> <p>Кескіш түрі материалға жарамсыз.</p> <p>Құбыр материалының сапасы нашар.</p>	<p>Кескіштерді ауыстырыңыз</p> <p>Тек RIDGID® бұрандакесу майын жеткілікті мөлшерде пайдаланыңыз.</p> <p>Қолдану үшін жылдамдығы жоғары, тот баспайтын болаттан жасалған немесе қорытпа кескіштерді таңдаңыз.</p> <p>Сапасы жоғарылау құбырды пайдаланыңыз.</p>
Бұрандалар дөңгелек емес немесе езілген.	<p>Құбыр қабырғасы тым жұқа.</p>	<p>40 стандартындағы немесе ауырлау қабырға қалыңдығын пайдаланыңыз.</p>
Бұранда кескен кезде тіреу құрылғысы бұрылады.	<p>Бұрандама қысқыш атауыздары лас.</p> <p>Бұрандама қысқыш дұрыс тураланбаған.</p> <p>Бұрандама қысқыш барынша қатайтылмаған.</p>	<p>Сымды қылшақпен тазалаңыз.</p> <p>Бұрандама қысқышын құбырмен тігінен туралаңыз.</p> <p>Беру бұрандасын қатайтыңыз.</p>
Жіңішке бұрандалар.	<p>Кескіштердің орналасу реті дұрыс емес.</p>	<p>Кескіштерді тиісті бастиек ұясына орналастырыңыз.</p>

RIDGID® 700 Power Drive

RIDGE TOOL COMPANY
400 Clark Street
Elyria, Ohio 44035-6001
U.S.A.

EC DECLARATION OF CONFORMITY

We declare that the machines listed above, when used in accordance with the operator's manual, meet the relevant requirements of the Directives and Standards listed below.

DÉCLARATION DE CONFORMITÉ CE

Nous déclarons que lorsqu'elles sont utilisées selon leur mode d'emploi, les machines indiquées ci-dessus répondent aux exigences applicables des directives et normes ci-après.

DECLARACIÓN DE CONFORMIDAD DE LA CE

Declaramos que las máquinas listadas más arriba, cuando se usan conforme al manual del operario, cumplen con los requisitos pertinentes de las directrices y normas listadas a continuación.

PROHLÁŠENÍ O SHODĚ ES

Prohlašujeme, že výše uvedené nástroje a zařízení splňují při použití v souladu s jejich návodem k obsluze příslušné požadavky níže uvedených směrnic a nařízení.

EF-OVERENSSTEMMELSESERKLÆRING

Vi erklærer, at de ovenfor anførte maskiner, ved brug i overensstemmelse med brugervejledningen, opfylder de relevante krav i de nedenfor anførte direktiver og standarder.

EG KONFORMITÄTSESKLÄRUNG

Wir erklären, dass die oben aufgeführten Maschinen, wenn sie entsprechend der Bedienungsanleitung verwendet werden, die einschlägigen Anforderungen der folgenden Richtlinien und Normen erfüllen.

ΔΗΛΩΣΗ ΣΥΜΜΟΡΦΩΣΗΣ ΕΚ

Δηλώνουμε ότι τα μηχανήματα που αναφέρονται παραπάνω, όταν χρησιμοποιούνται σύμφωνα με το εγχειρίδιο χειρισμού, πληρούν τις σχετικές απαιτήσεις των παρακάτω Οδηγιών και Προτύπων.

EY-VAATIMUSTENMUKAISUUSVAKUUTUS

Vakuutamme, että edellä luetellut koneet täyttävät käyttöohjekirjan mukaisesti käytettyinä seuraavien direktiivien ja standardien vaatimukset.

EU IZJAVA O SUKLADNOSTI

Izjavljujemo da su gore navedeni strojevi, kada se koriste u skladu s priručnikom za korisnike, sukladni s relevantnim zahtjevima dolje navedenih direktiva i standarda.

EK MEGFELELŐSÉGI NYILATKOZAT

Kijelentjük, hogy a fent felsorolt gépek - amennyiben a kezelési útmutatónak megfelelően használják őket - megfelelnek az alább felsorolt irányelvek és Szabványok követelményeinek.

DICHIARAZIONE DI CONFORMITÀ CE

Dichiariamo che le macchine elencate in alto, se utilizzate in conformità con il manuale dell'operatore, soddisfano i relativi requisiti delle Direttive e degli Standard specificati di seguito.

EO СӘЙКЕСТІК МӘЛІМДЕМЕСІ

Біз жоғарыда көрсетілген құрылғылардың пайдаланушы нұсқаулығына сәйкес пайдаланылған жағдайда төменде көрсетілген Директивалар мен Стандарттардың тиісті талаптарына жауап беретінін мәлімдейміз.

EG-CONFORMITEITSVERKLARING

Hierbij verklaren wij dat de hierboven vermelde machines, mits gebruikt in overeenstemming met de handleiding, voldoen aan de relevante eisen van de hieronder vermelde richtlijnen en normen.

CE-SAMSVARERKLÆRING

Vi erklærer at maskinene oppført over oppfyller de relevante kravene i direktiver og standarder oppført under dersom de brukes i henhold til bruksanvisningen.

Ridge Tool Europe NV (RIDGID)
Ondernemerslaan 5428
3800 Sint-Truiden
Belgium

DEKLARACJA ZGODNOŚCI WE

Deklarujemy, że maszyny wymienione powyżej, gdy są używane zgodnie z podręcznikiem użytkownika, spełniają właściwe wymagania Dyrektyw i Standardów, wymienione poniżej.

DECLARAÇÃO DE CONFORMIDADE CE

Declaramos que as máquinas listadas acima, quando utilizadas de acordo com o manual do operador, cumprem os requisitos relevantes das Diretivas e Normas listadas abaixo.

DECLARAȚIE DE CONFORMITATE CE

Declarăm că mașina specificată mai jos, atunci când este utilizată în conformitate cu manualul de exploatare, îndeplinește cerințele relevante ale Directivelor și standardelor specificate mai jos.

ДЕКЛАРАЦИЯ СООТВЕТСТВИЯ ЕС

Мы заявляем, что инструменты, перечисленные выше, при условии использования согласно руководству по эксплуатации, отвечают соответствующим требованиям указанных ниже директив и стандартов.

ES PREHLÁŠENIE O ZHODE

Vyhlasujeme, že stroje uvedené vyššie spĺňajú relevantné požiadavky smerníc a noriem uvedených nižšie, ak sa používajú podľa návodu na použitie.

IZJAVA ES O SKLADNOSTI

Izjavljamo, da zgoraj omenjeni stroji, ko se uporabljajo skladno z uporabniškim priručnikom, izpolnjujejo relevantne zahteve spodaj omenjenih direktiv in standardov.

EC DEKLARACIJA O USAGLAŠENOSTI

Izjavljujemo da gore navedeni strojevi, ako se koriste u skladu s priručnikom za korisnike, zadovoljavaju relevantne zahteve direktiva i standarda koji se navode dole.

EG-FÖRSÄKRAN OM ÖVERENSSTÄMMELSE

Vi meddelar att maskinen som anges ovan uppfyller de aktuella kraven i de angivna direktiven och standarderna nedan när den används enligt bruksanvisningen.

AB UYGUNLUK BEYANI

Yukarıda listelenen makinelerin, kullanıcı kılavuzuna göre kullanıldığında, aşağıda listelenen Direktiflerin ve Standartların ilgili gereksinimlerini karşıladığını beyan ederiz.

EÜ VASTAVUSDEKLARATSIOON

Kinnitame, et eelpool loetletud masinad vastavad allpool loetletud direktiivide ja standardite asjakohastele nõuetele, kui neid kasutatakse vastavalt kasutusjuhendile.

EK ATBILSTĪBAS DEKLARĀCIJA

Mēs apliecinām, ka iepriekšminētās iekārtas, izmantojot tās saskaņā ar operatora rokasgrāmatu, atbilst attiecīgajām tālāk norādīto direktīvu un standartu prasībām.

DEARBHÚ COMHRÉIREACHTA AN CE


Fógraímid go bhfuil na hinnill sa liosta thuas i gcomhréir le riachtanais ábhartha na dTeoracha agus na gCaighdeán sa liosta thíos, ach iad a úsáid de réir an lámhleabhair don oibreoir.


EB ATITIKTIES DEKLARACIJA

Deklaruojame, kad pirmiau išvardytos mašinos, jei naudojamos pagal naudotojų vadovą, atitinka atitinkamus toliau išvardytą direktivų ir standartų reikalavimus.

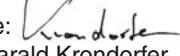
EO ДЕКЛАРАЦИЯ ЗА СЪОТВЕТСТВИЕ

Декларираме, че изброените по-горе машини, когато се използват в съответствие с Ръководство за оператора, отговарят на съответните изисквания на директивите и стандартите, изброени по-долу.

 2006/42/EC, 2014/35/EU, 2014/30/EU, 2011/65/EU
EN 62841-1/-2-9, EN 55014-1/-2, IEC 61000-3-2/-3-3

 5010236
Conforms to UL 62841-1, UL 62841-2-9
Certified to CSA C22.2#62841-1, CSA C22.2#62841-2-9



Signature: 
Name: Harald Krondorfer
Qualification: V.P. Engineering
Date: 09/01/2019



FULL LIFETIME WARRANTY (garantie légale étendue à la durée de vie du produit,
voir conditions de garantie / legal warranty extended to the product lifecycle,
see warranty conditions)

**For Warranty Information for your World Region
visit RIDGID.com**

Ridge Tool Europe NV (RIDGID)

Ondernemerslaan 5428
3800 Sint-Truiden
Belgium
Tel.: +32 (0)11 598 620
RIDGID.com